



US00D456494S

(12) **United States Design Patent**
Whitfield

(10) **Patent No.:** **US D456,494 S**

(45) **Date of Patent:** **** Apr. 30, 2002**

(54) **RECREATION VEHICLE DIVERTER HOSE/
FAUCET**

(76) **Inventor:** **Roderick William Whitfield**, P.O. Box
1114, Oberlin, LA (US) 70655

(**) **Term:** **14 Years**

(21) **Appl. No.:** **29/136,648**

(22) **Filed:** **Feb. 6, 2001**

Related U.S. Application Data

(63) Continuation-in-part of application No. 29/116,809, filed on
Jan. 11, 2000.

(51) **LOC (7) Cl.** **23-01**

(52) **U.S. Cl.** **D23/266; D23/259**

(58) **Field of Search** **D23/259, 266;**
137/562; 285/131.1, 132.1

(56) **References Cited**

U.S. PATENT DOCUMENTS

1,099,713	A	*	6/1914	Morris	285/131.1
2,505,303	A	*	4/1950	Randa	285/131.1
2,656,853	A	*	10/1953	Scheele	285/131.1
2,881,796	A		4/1959	Garraway		

3,670,744	A		6/1972	Bender		
5,165,456	A	*	11/1992	Woolman	4/597
D360,457	S		7/1995	Levisay		
D397,765	S		9/1998	Wintering		
D399,916	S		10/1998	Wintering		
5,879,029	A	*	3/1999	Wilks	285/131.1
5,987,659	A		11/1999	Cannizzaro		
6,135,140	A		10/2000	Grandinetti		

* cited by examiner

Primary Examiner—Robin V. Taylor

(74) *Attorney, Agent, or Firm*—Palmer C. DeMeo

(57) **CLAIM**

The ornamental design for a recreation vehicle diverter hose/faucet, as shown and described.

DESCRIPTION

FIG. 1 is a side elevational view of a diverter hose/faucet of my new design.

FIG. 2 is a top plan view thereof;

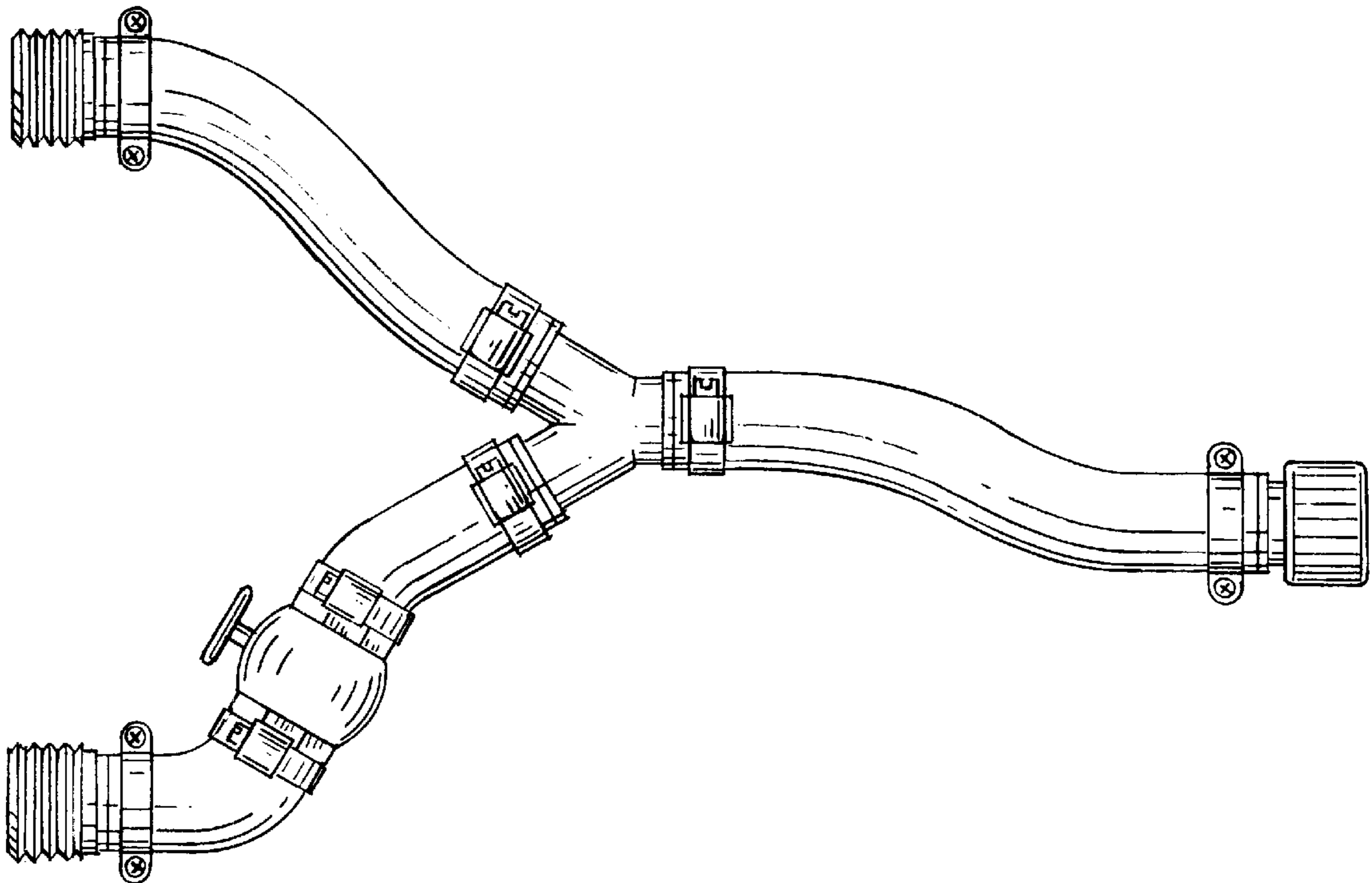
FIG. 3 is a bottom plan view thereof;

FIG. 4 is an opposite side elevational view of FIG. 1;

FIG. 5 is a right end elevational view of FIG. 1; and,

FIG. 6 is a left end elevational view of FIG. 1.

1 Claim, 2 Drawing Sheets



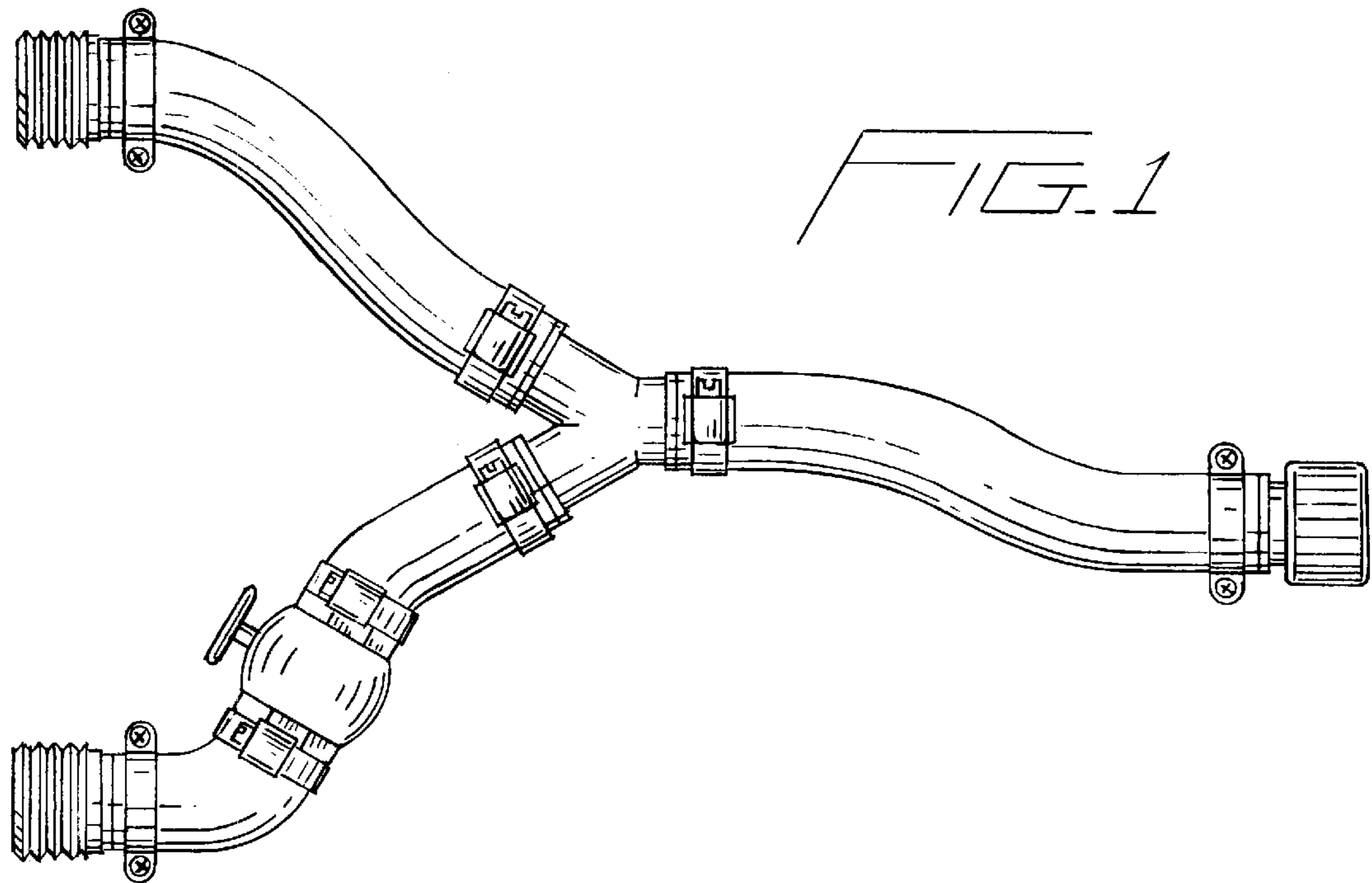


FIG. 1

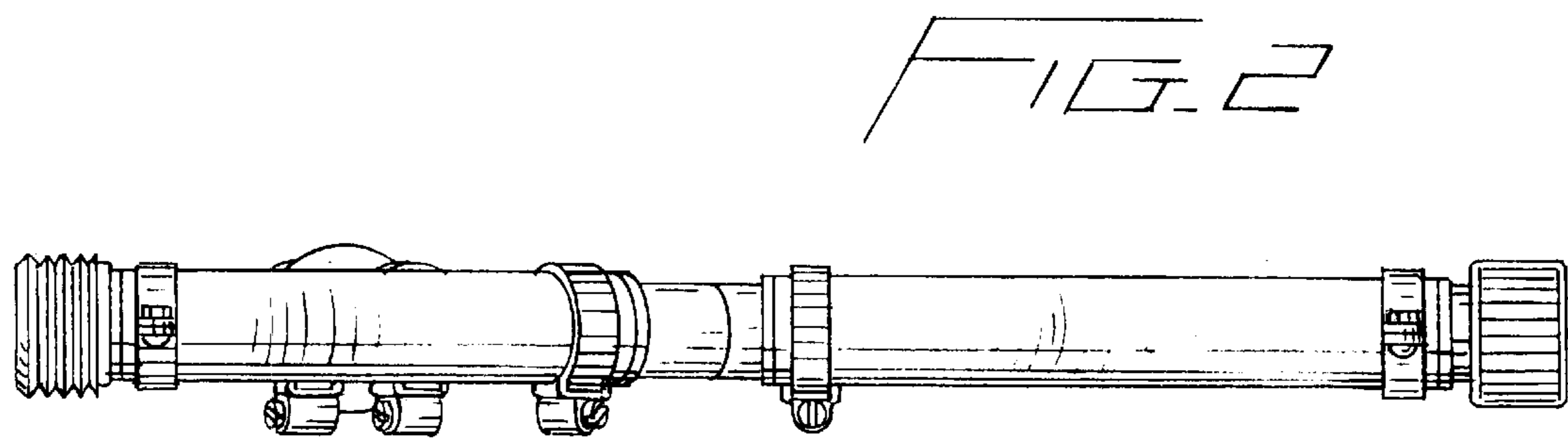


FIG. 2

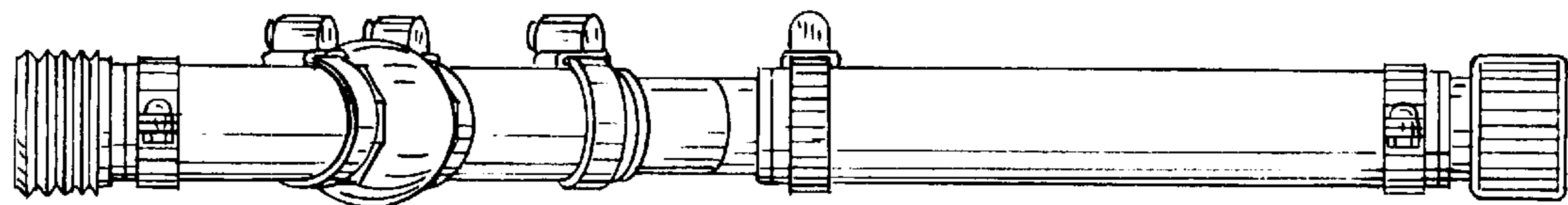


FIG. 3

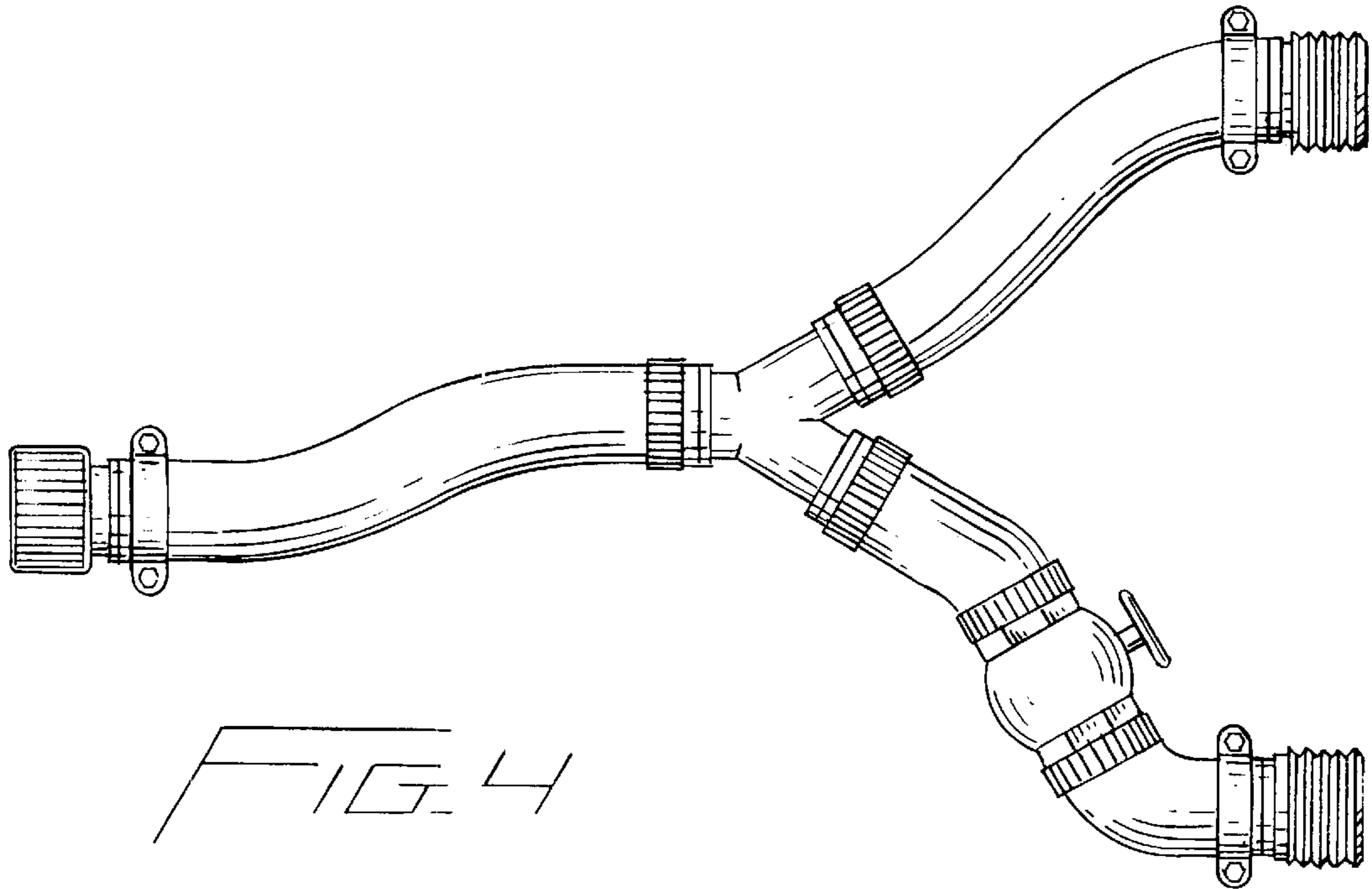


FIG. 4

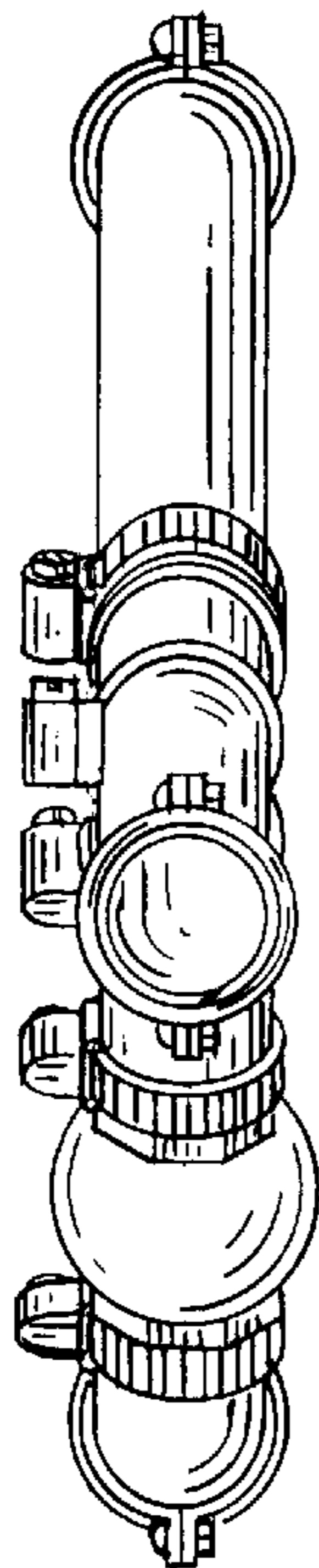


FIG. 5

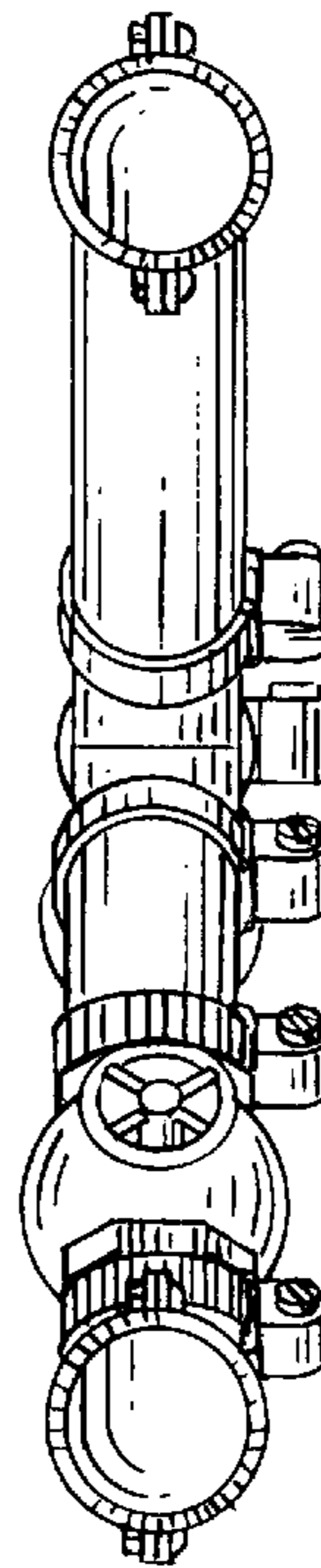


FIG. 6