



US00D456493S

(12) **United States Design Patent**
Paterson et al.

(10) **Patent No.:** **US D456,493 S**

(45) **Date of Patent:** **** Apr. 30, 2002**

(54) **MULTIPLE SHOWERHEAD MANIFOLD**

(75) Inventors: **Graham H. Paterson**, Hockessin;
Willard A. Denham, Greenville, both
of DE (US)

(73) Assignee: **The Speakman Company**, Wilmington,
DE (US)

(**) Term: **14 Years**

(21) Appl. No.: **29/141,348**

(22) Filed: **May 4, 2001**

(51) **LOC (7) Cl.** **23-01**

(52) **U.S. Cl.** **D23/263; D23/213**

(58) **Field of Search** D23/263, 213,
D23/214, 228; 239/550, 548, 587.1, 280.5;
4/601

D329,276 S	9/1992	Blake	D23/213
5,148,556 A	9/1992	Bottoms, Jr. et al.	4/567
D331,277 S	11/1992	Murphy	D23/263
5,353,448 A	10/1994	Lee	4/597
5,564,139 A	10/1996	Shorr	4/601
5,678,258 A	10/1997	Healy	4/601
D386,567 S	11/1997	Reeves	D23/213
D396,525 S	* 7/1998	Larimer	D23/263
D435,637 S	* 12/2000	Wales	D23/263
6,227,456 B1	* 5/2001	Colman	4/601
D445,478 S	* 7/2001	Reeves	D23/213

* cited by examiner

Primary Examiner—Robin V. Taylor

(74) *Attorney, Agent, or Firm*—Connolly Bove Lodge &
Hutz LLP

(57) **CLAIM**

The ornamental design for multiple showerhead manifold,
as shown and described.

(56) **References Cited**

U.S. PATENT DOCUMENTS

1,207,380 A	12/1916	Duffy	
1,544,706 A	7/1925	Wallen	
3,117,584 A	* 1/1964	Elenbaas 239/251
3,276,042 A	10/1966	Carlson 4/146
3,483,572 A	12/1969	Hallum 4/145
3,698,020 A	10/1972	Morris 4/145
3,822,826 A	7/1974	Wilson 239/267
3,913,839 A	10/1975	Wilson 239/267
3,971,074 A	7/1976	Yxfeldt 4/145
D249,276 S	9/1978	Levin D23/40
4,311,279 A	1/1982	Jette 239/562
4,752,975 A	6/1988	Yates 4/601
4,865,254 A	9/1989	Kragle 239/76
4,901,927 A	2/1990	Valdivia 239/446
4,975,993 A	12/1990	Black et al. 4/601
D316,891 S	5/1991	Lee D23/213
D326,310 S	5/1992	Francoeur D23/213

DESCRIPTION

FIG. 1 is a front elevational view of a multiple showerhead manifold with a diverter valve showing my new design, the rear elevational view being identical;
 FIG. 2 is a right side elevational view thereof;
 FIG. 3 is a left side elevational view thereof;
 FIG. 4 is a top plan view thereof;
 FIG. 5 is a bottom plan view thereof;
 FIG. 6 is a front elevational view of a multiple showerhead manifold without a diverter valve showing my new design, rear elevational view being identical;
 FIG. 7 is a right side elevational view thereof;
 FIG. 8 is a left side elevational view thereof;
 FIG. 9 is a top plan view thereof; and,
 FIG. 10 is a bottom plan view thereof.

1 Claim, 2 Drawing Sheets

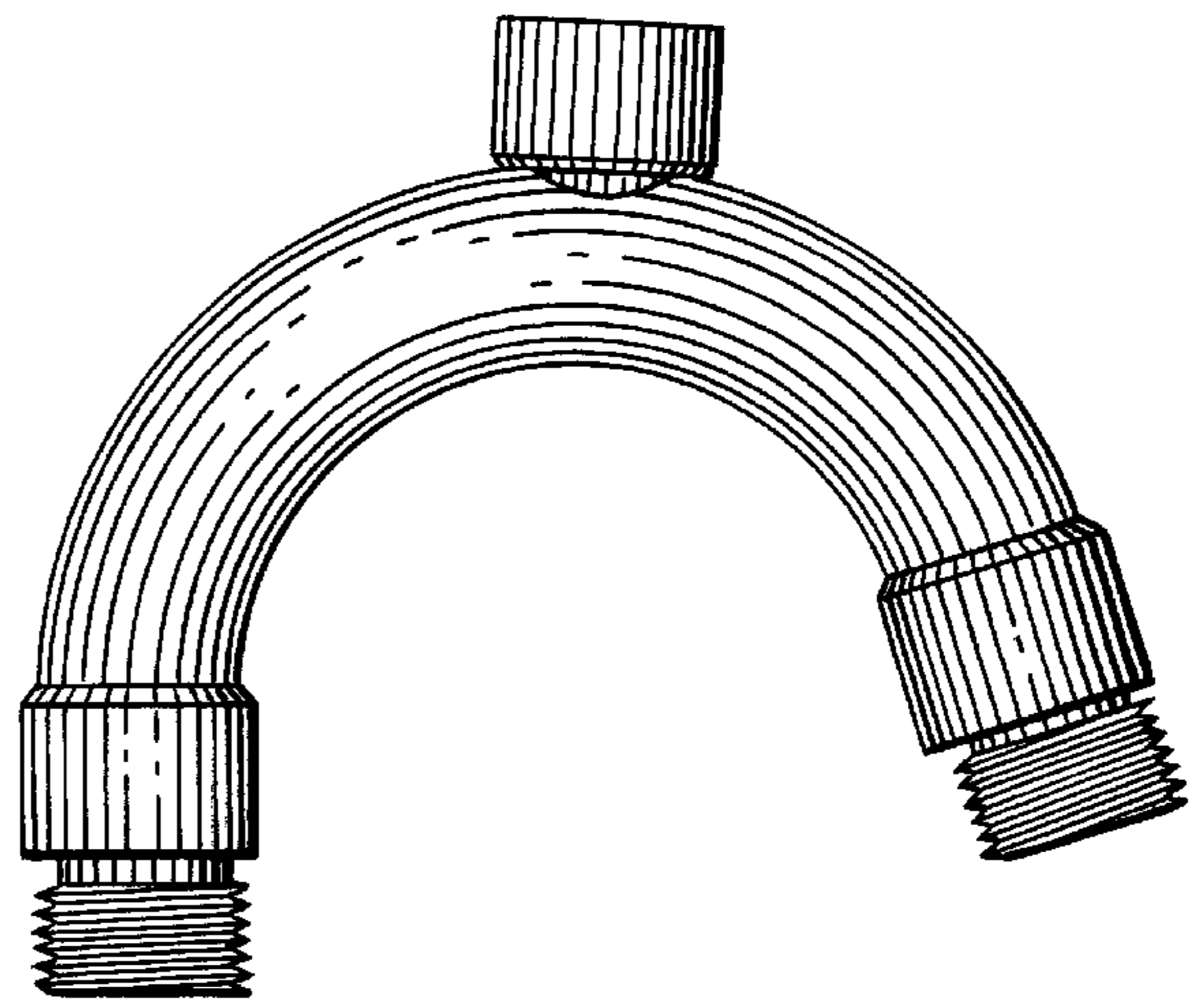
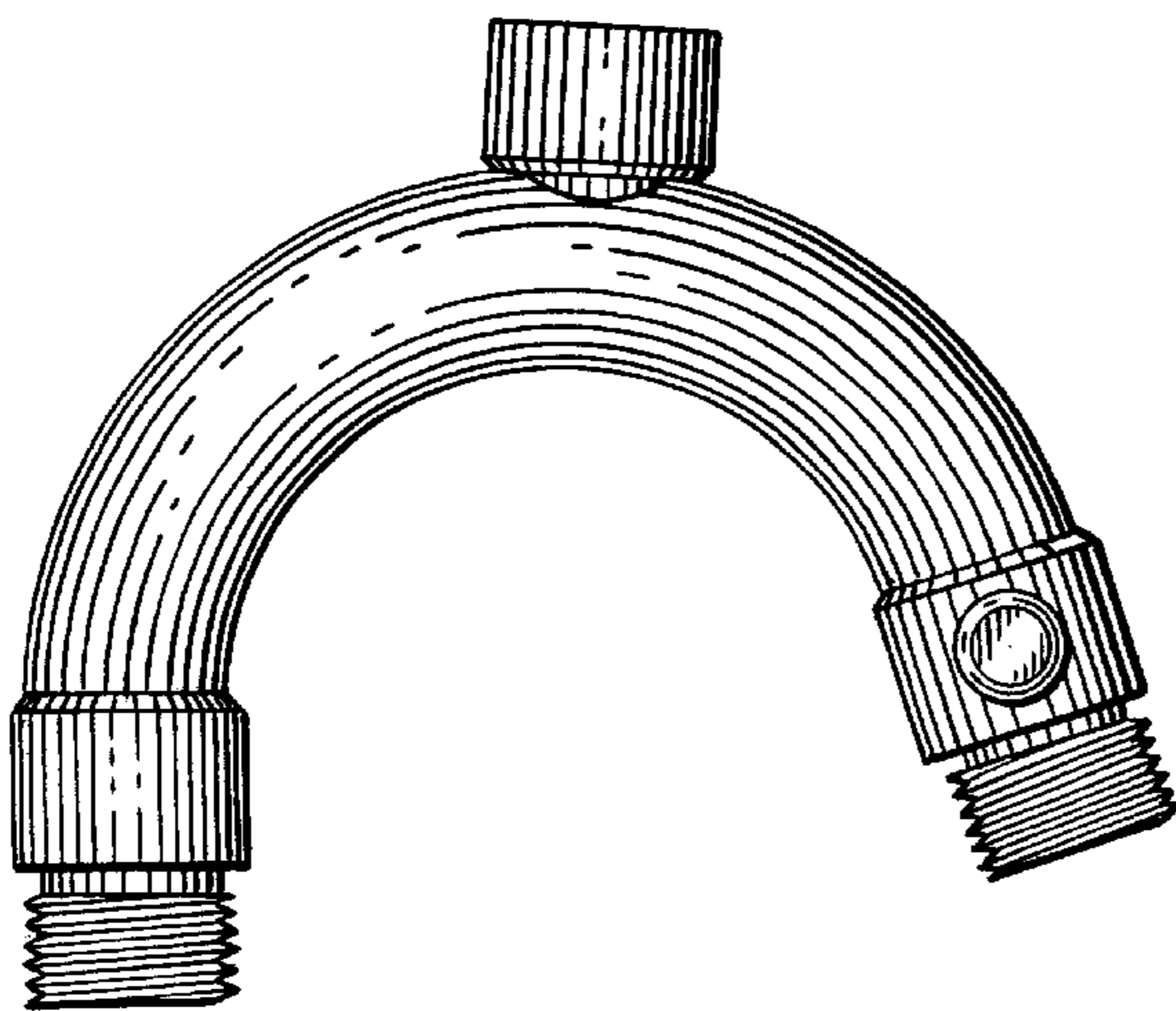


Fig. 4.

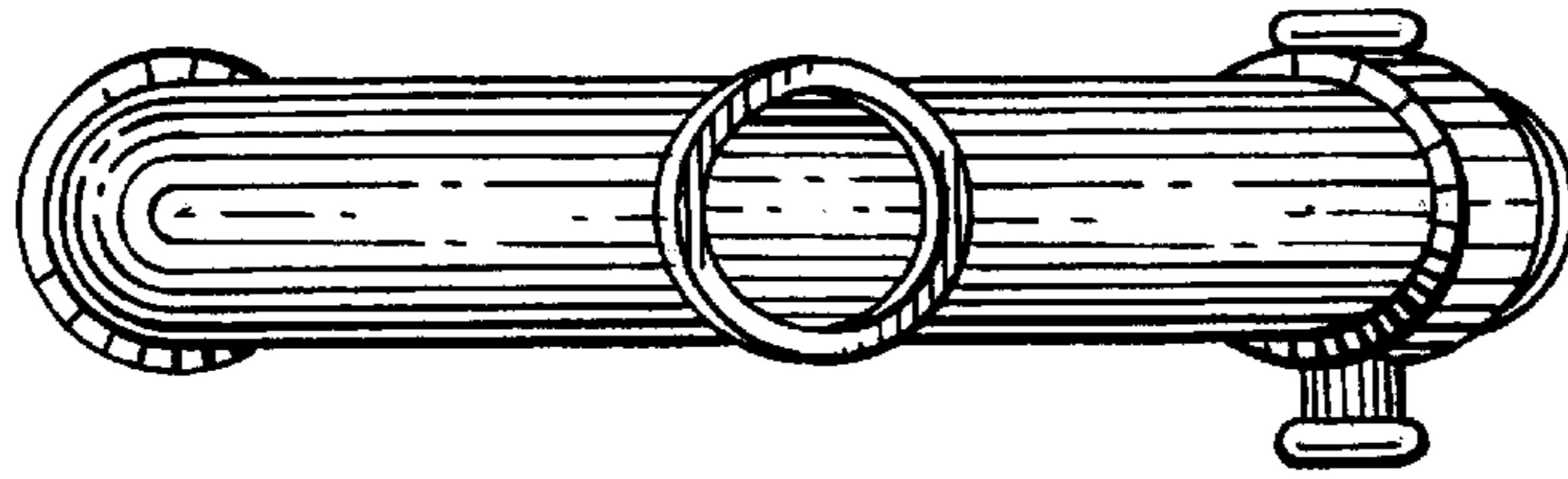


Fig. 3.

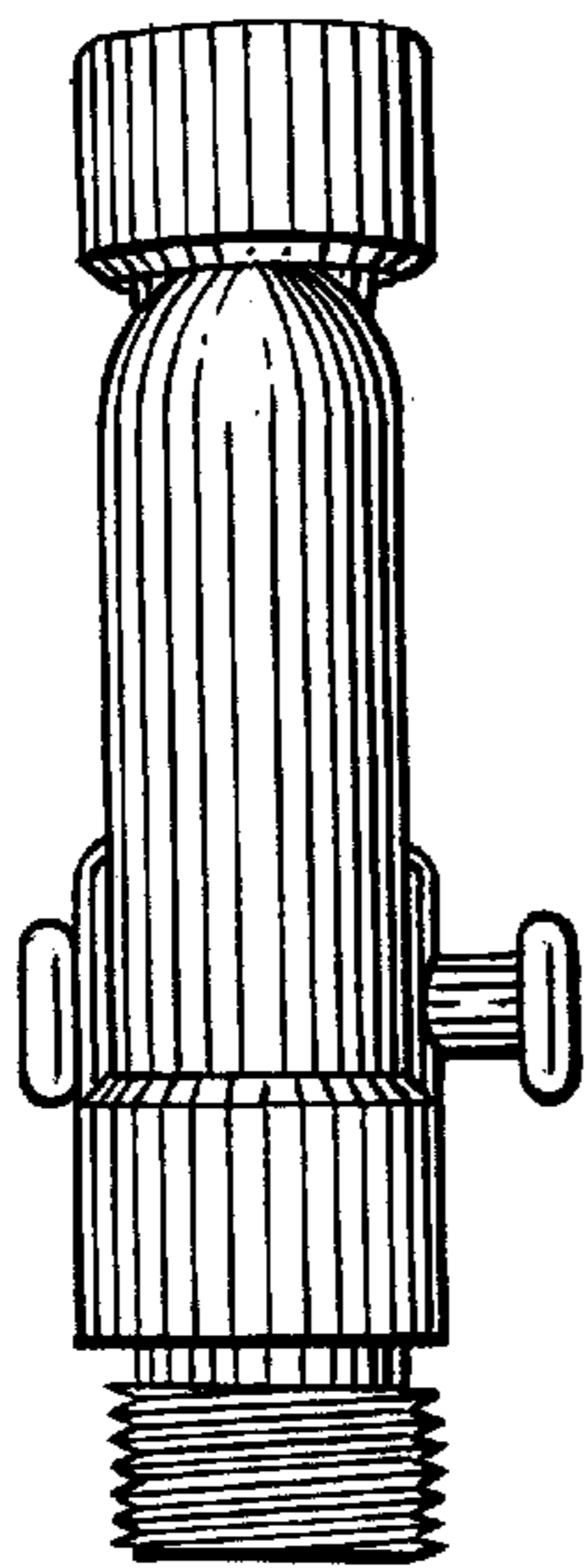


Fig. 1.

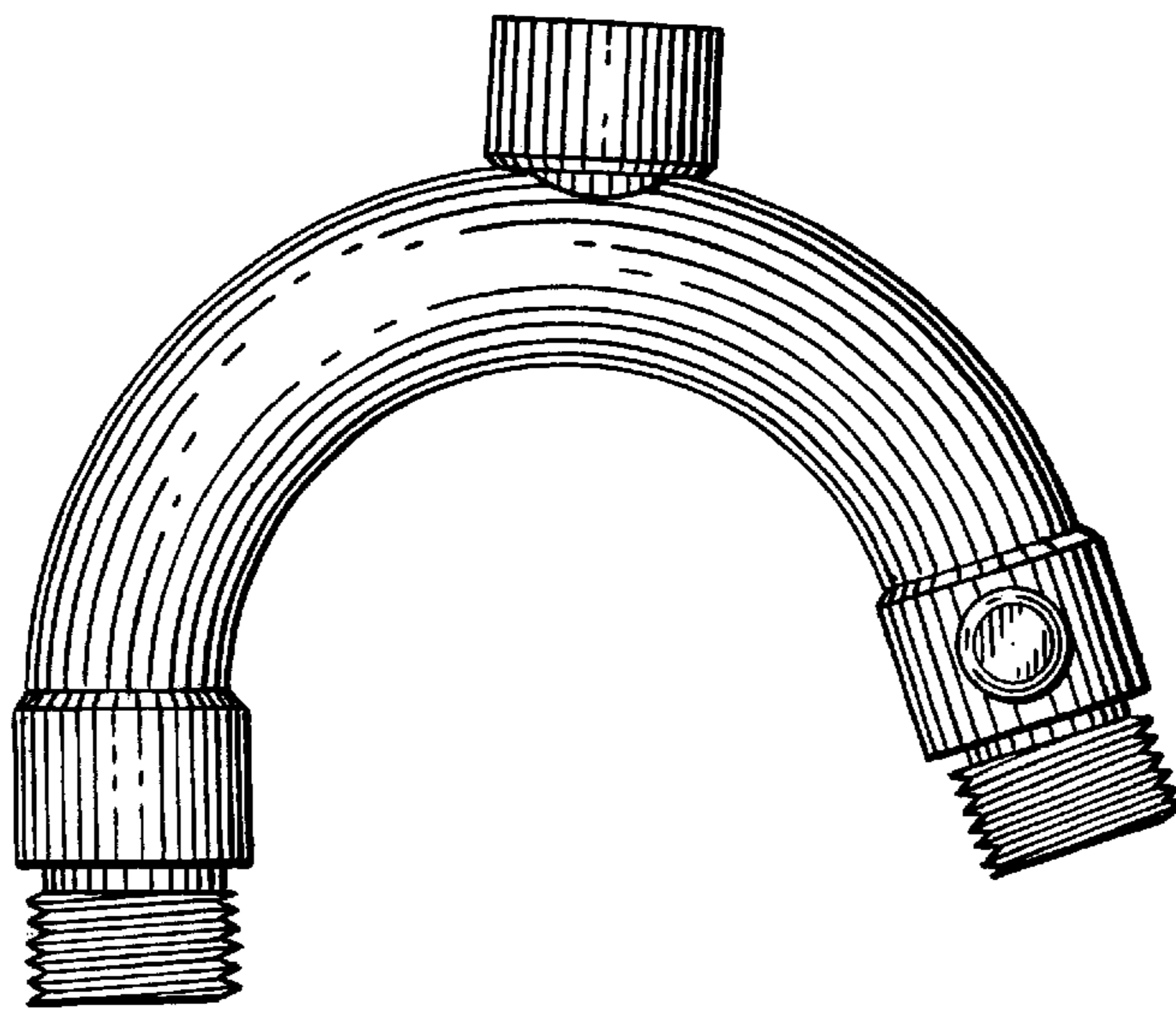


Fig. 2.

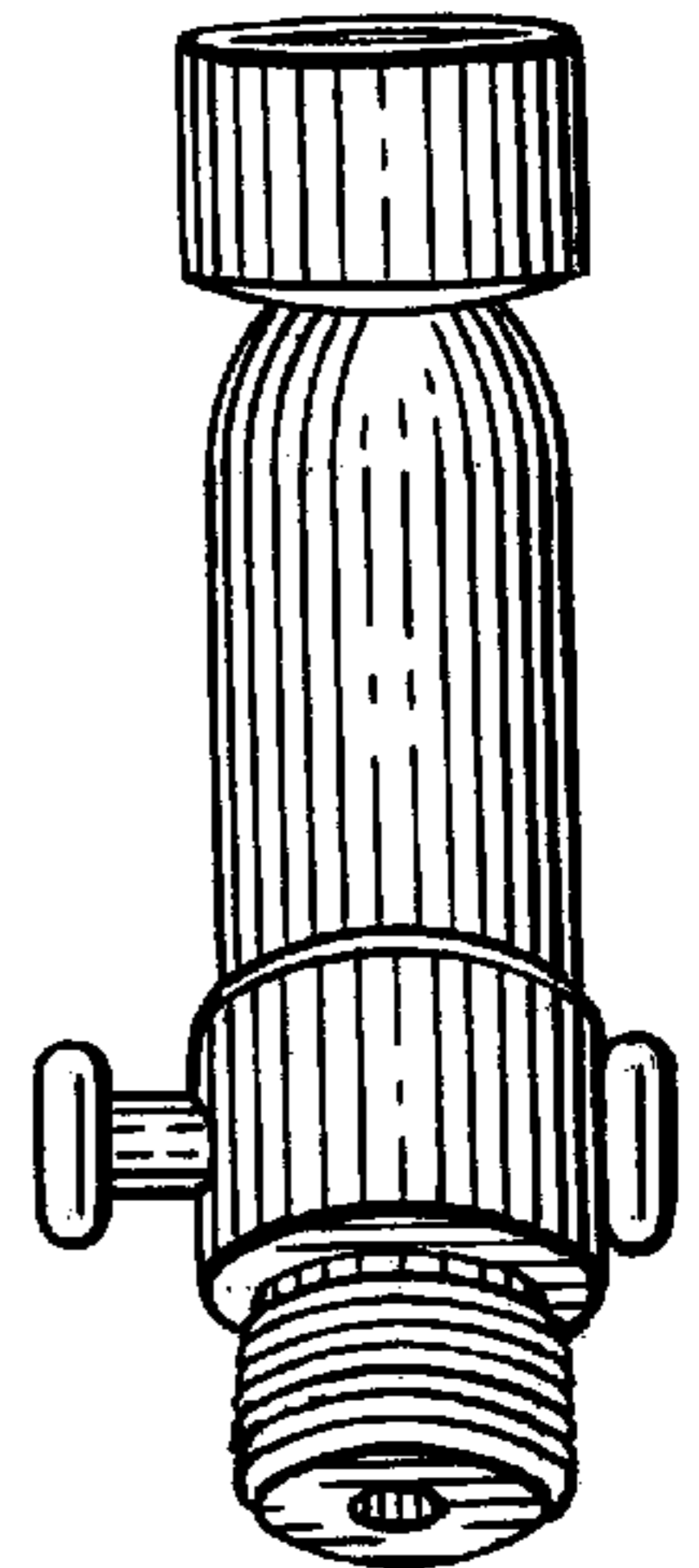


Fig. 5.

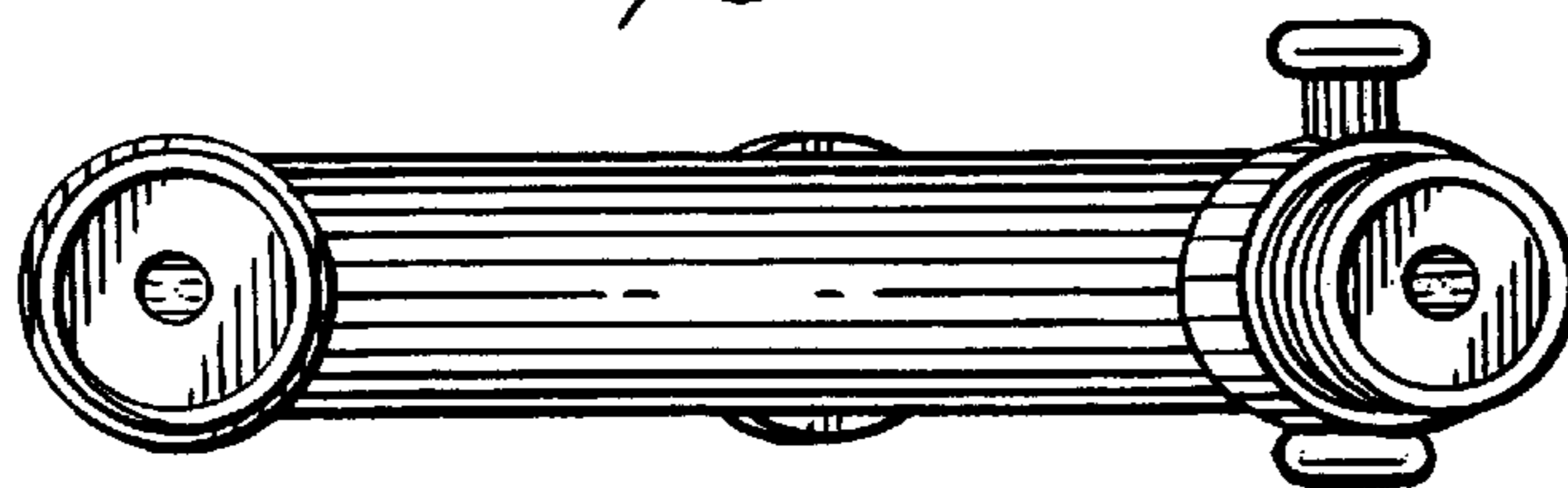


Fig. 9.

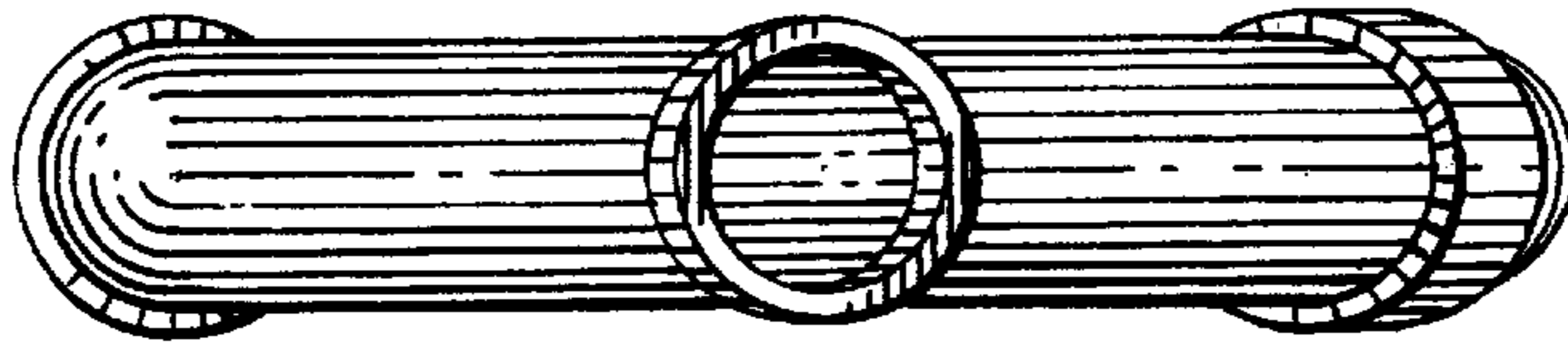


Fig. 8.

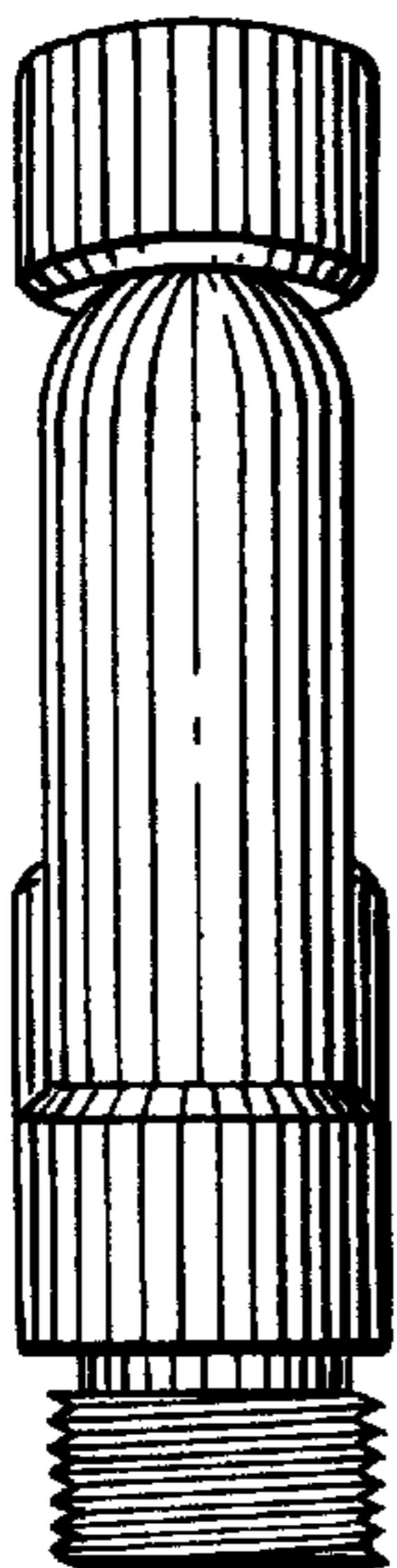


Fig. 6.

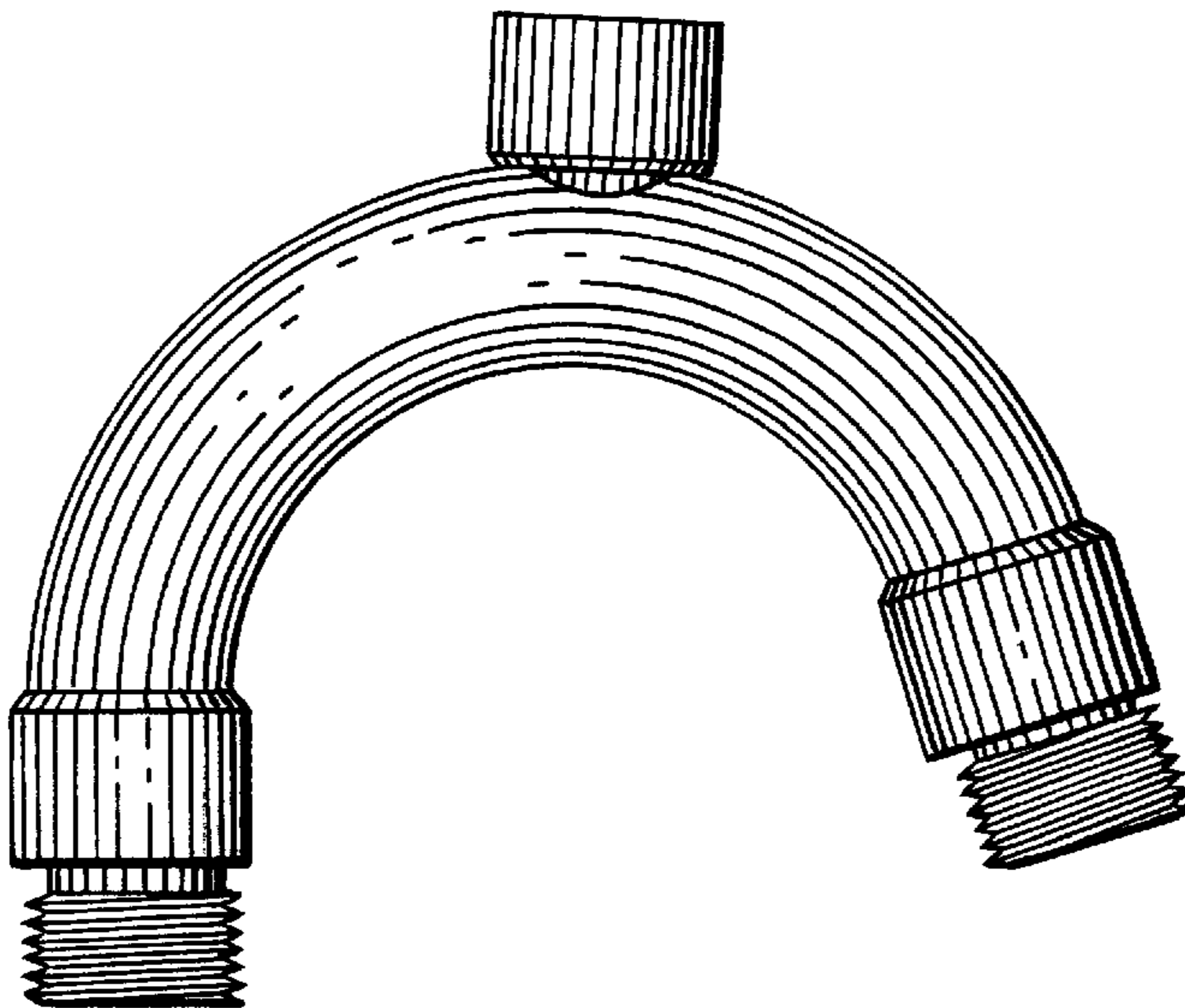


Fig. 7.

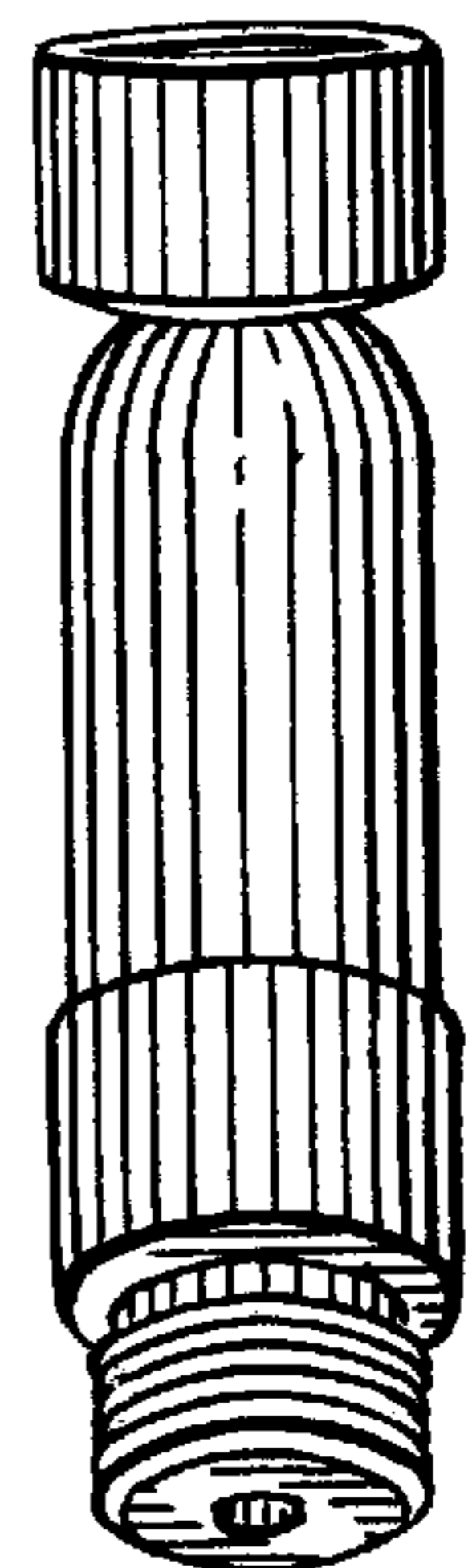


Fig. 10.

