



US00D456486S

(12) **United States Design Patent**
Kurth et al.

(10) **Patent No.:** **US D456,486 S**

(45) **Date of Patent:** **** Apr. 30, 2002**

(54) **FILTER HOUSING HEADER**

(75) Inventors: **Michael J. Kurth**, Howards Grove;
Michael D. Steinhardt, Kiel, both of
WI (US)

(73) Assignee: **USF Consumer & Commercial
Group, Inc.**, Northbrook, IL (US)

(**) Term: **14 Years**

(21) Appl. No.: **29/139,173**

(22) Filed: **Mar. 26, 2001**

(51) **LOC (7) Cl.** **23-01**

(52) **U.S. Cl.** **D23/209**

(58) **Field of Search** D23/200, 209,
D23/207; 210/493.2, 232, 282

(56) **References Cited**

U.S. PATENT DOCUMENTS

D199,075	S	*	9/1964	Kudlaty	D23/209
D199,139	S	*	9/1964	Kudlaty	D23/209
4,904,382	A	*	2/1990	Thomsen	210/340
D315,013	S	*	2/1991	Petrucci et al.	D23/209
D317,040	S	*	5/1991	Petrucci et al.	D23/209
5,486,288	A	*	1/1996	Stanford	210/340
5,507,945	A	*	4/1996	Hansen	210/232
6,048,455	A	*	4/2000	Janik	210/232

OTHER PUBLICATIONS

U.S. Filter engineering drawings; Drwg. No. US600, Sheet 1 of 6, sheet 2 of 6, sheet 4 of 6, sheet 5 of 6 and sheet 6 of 6.

* cited by examiner

Primary Examiner—Robin V. Taylor

(74) *Attorney, Agent, or Firm*—Andrus, Scales, Starke & Sawall

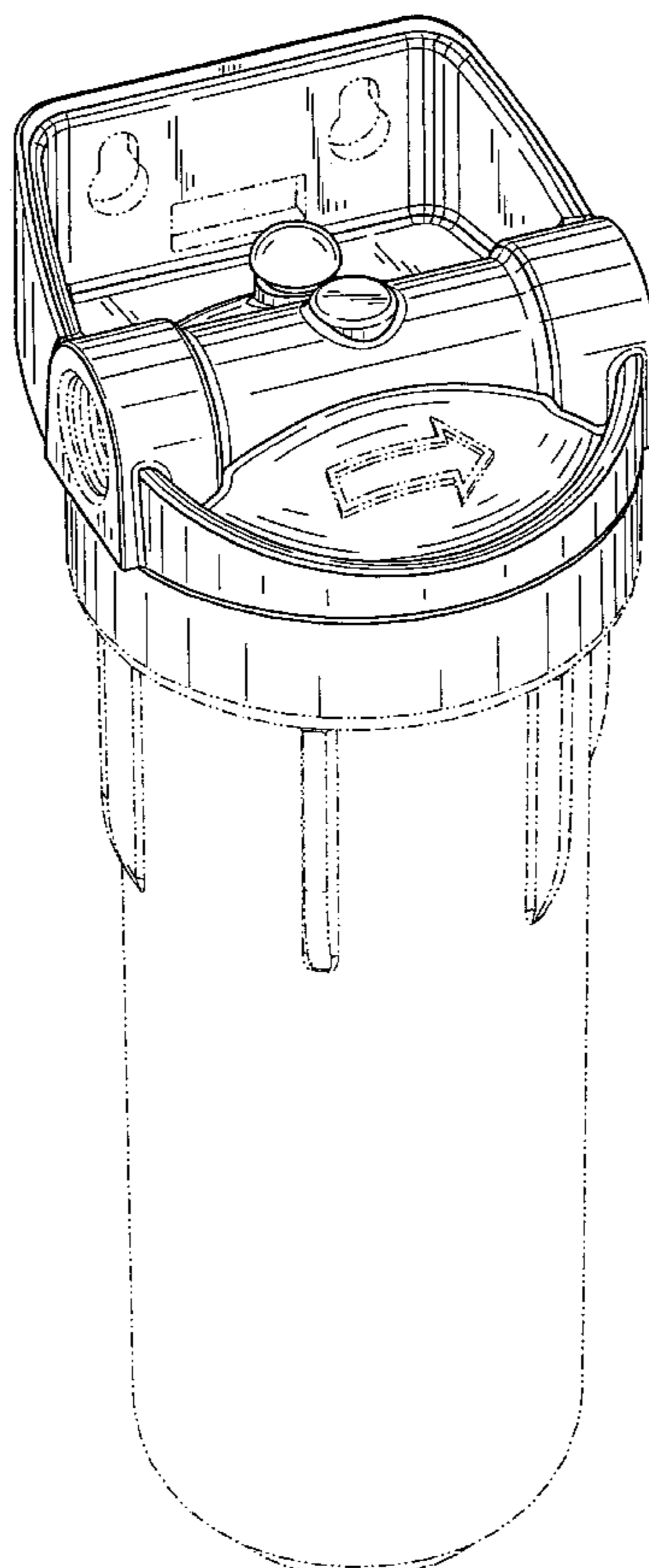
(57) **CLAIM**

The ornamental design of a filter housing header, as shown and described.

DESCRIPTION

FIG. 1 is an isometric view of a filter housing incorporating our new design;
FIG. 2 is a front elevation view thereof;
FIG. 3 is a left side elevation view thereof, the right side elevation view being a mirror image;
FIG. 4 is a rear elevation view thereof;
FIG. 5 is a top plan view thereof; and,
FIG. 6 is a bottom plan view thereof.
The broken line showing is for illustrative purposes only and forms no part of the claimed design.

1 Claim, 4 Drawing Sheets



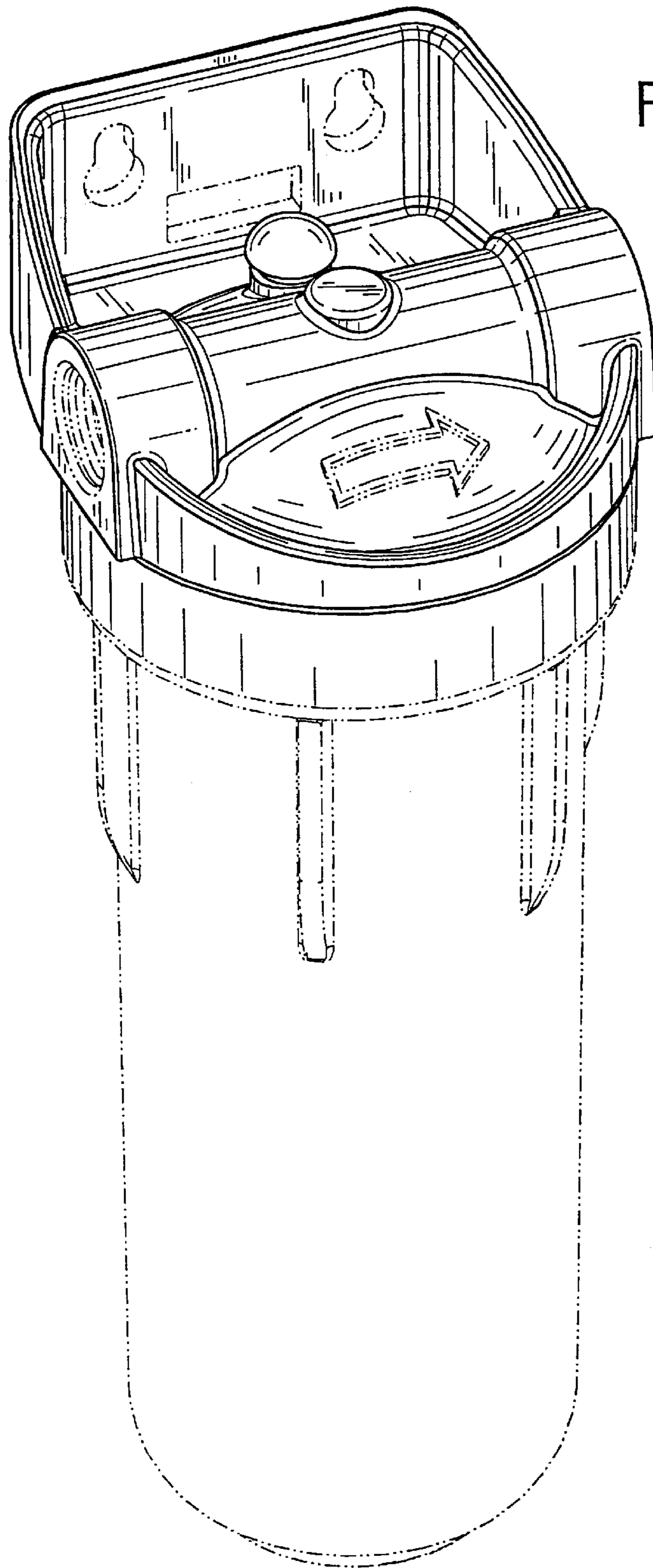


FIG. 1

FIG. 2

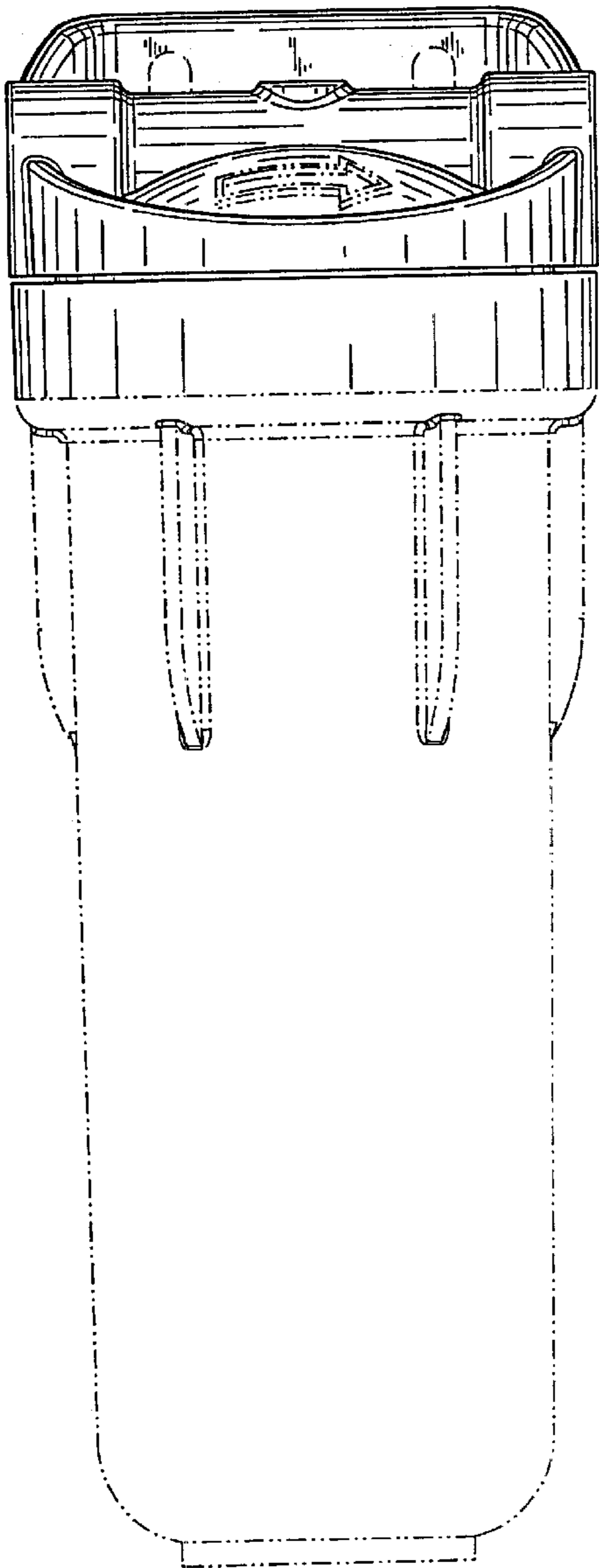


FIG. 3

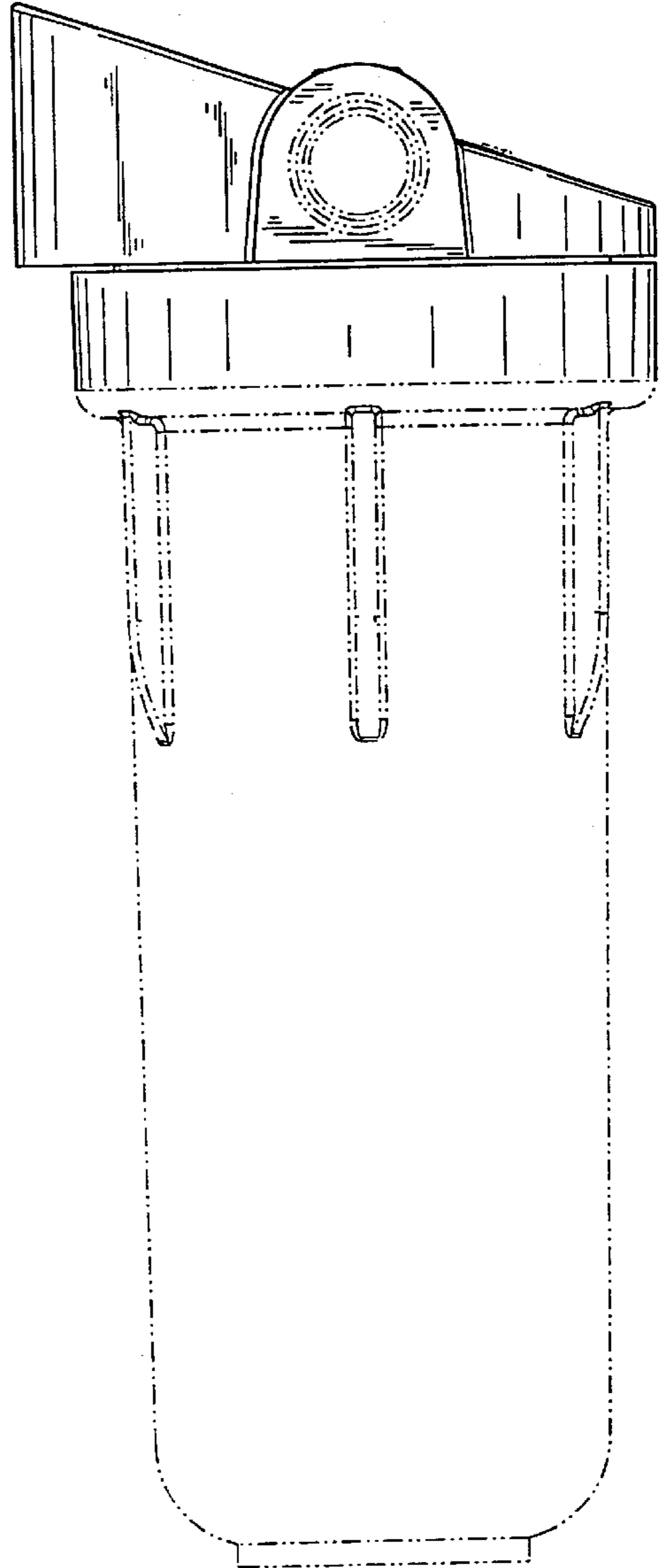


FIG. 4

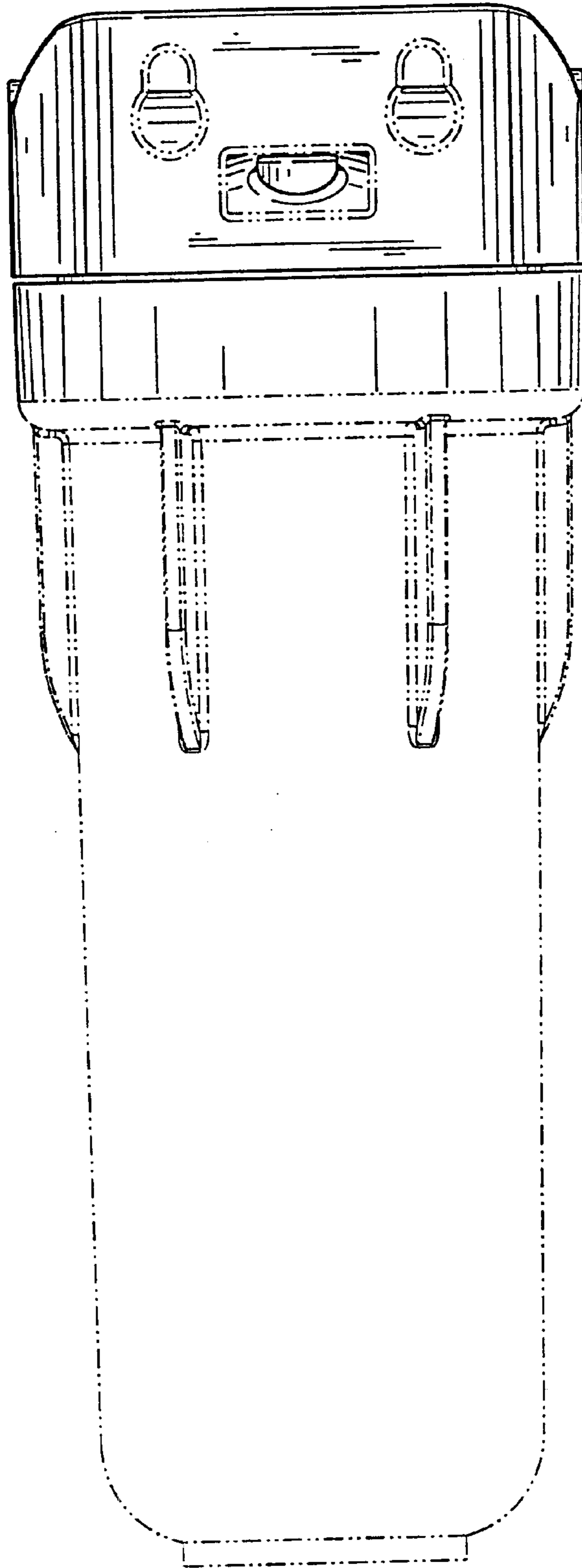


FIG. 5

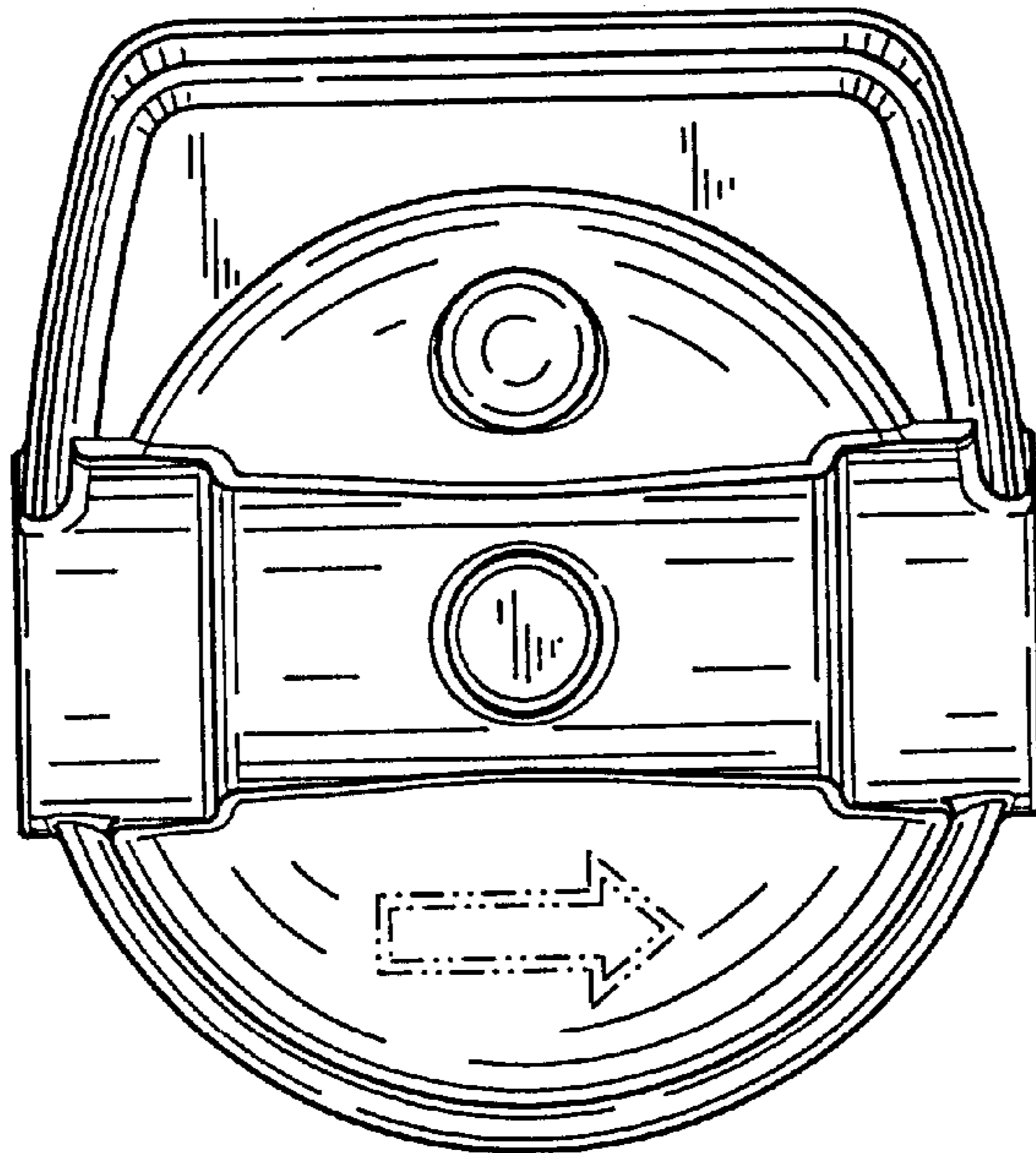


FIG. 6

