



US00D456483S

(12) **United States Design Patent**  
**Cryer et al.**

(10) **Patent No.:** **US D456,483 S**

(45) **Date of Patent:** **\*\* Apr. 30, 2002**

(54) **FISHING LINE REEL SPOOLER**

D348,301 S 6/1994 Smith ..... D22/134  
5,855,085 A 1/1999 Jinks, Jr. .... 43/20

(76) Inventors: **Huey Cryer**, deceased, late of Evans, LA (US); by Judith E. Cryer, administratrix, 166 L. Egan Rd.; **David A. Richmond**, 1111 Fal Rd., both of Evans, LA (US) 70639

\* cited by examiner

*Primary Examiner*—Catherine R. Oliver  
(74) *Attorney, Agent, or Firm*—William W. Stagg

(\*\*) Term: **14 Years**

(57) **CLAIM**

The ornamental design for a fishing line reel spooler, substantially as shown and described.

(21) Appl. No.: **29/138,716**

**DESCRIPTION**

(22) Filed: **Mar. 19, 2001**

(51) **LOC (7) Cl.** ..... **22-05**

(52) **U.S. Cl.** ..... **D22/134**

(58) **Field of Search** ..... D22/134, 137,  
D22/140, 149, 199; 43/20, 25, 25.2, 54.1,  
57.3; 242/129.8, 423.2

FIG. 1 is a perspective view of a fishing line reel spooler showing my new design. The fishing rod is shown in broken lines for illustrative purposes only and forms no part of the claimed design;

FIG. 2 is an exploded front elevational view thereof;

FIG. 3 is a elevational cross-sectional view taken on the line 3—3 in FIG. 5 thereof;

FIG. 4 is a left side elevational view thereof;

FIG. 5 is a rear elevational view thereof;

FIG. 6 is a top plan view thereof;

FIG. 7 is a bottom plan view thereof; and,

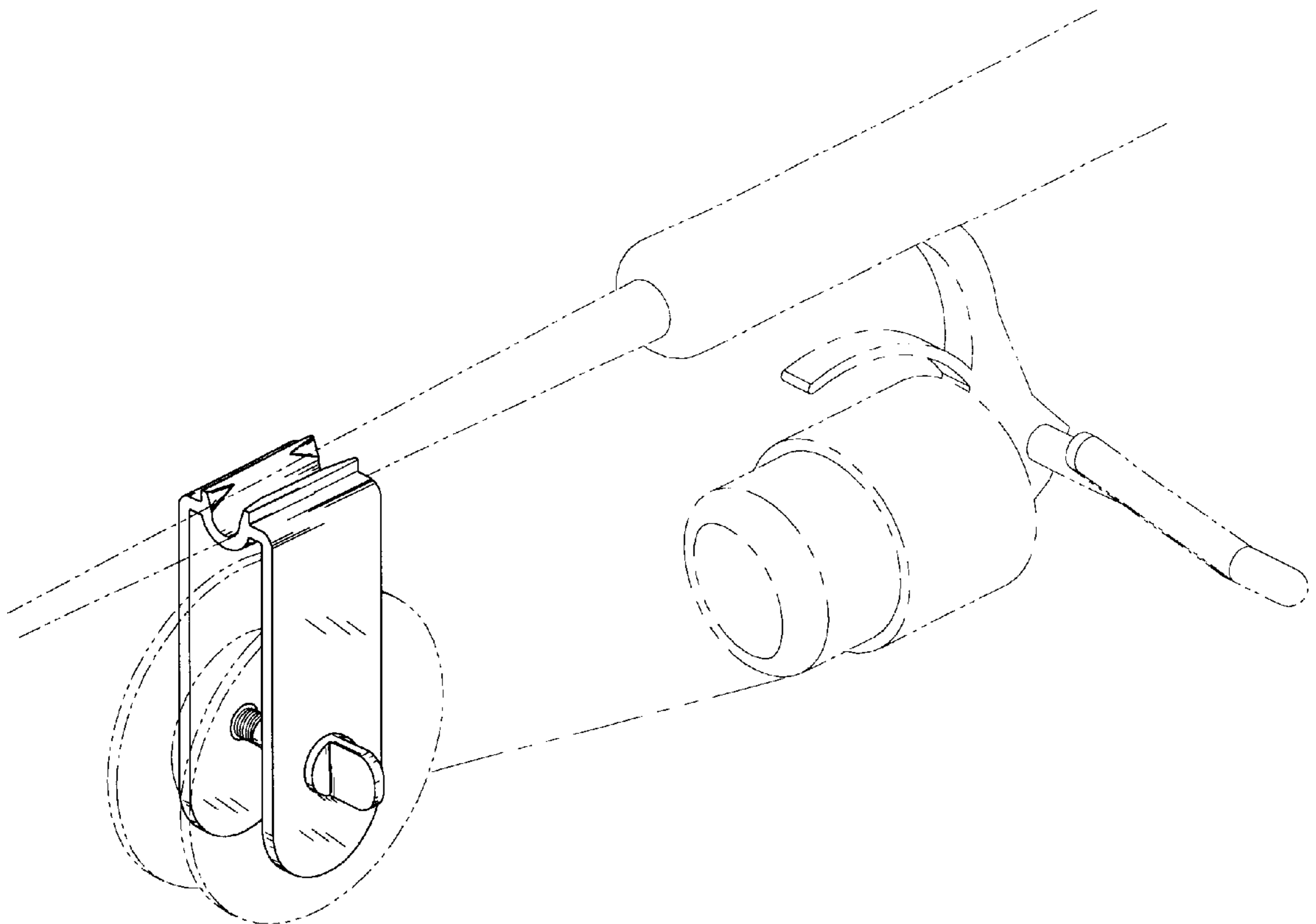
FIG. 8 is a right side elevational view thereof.

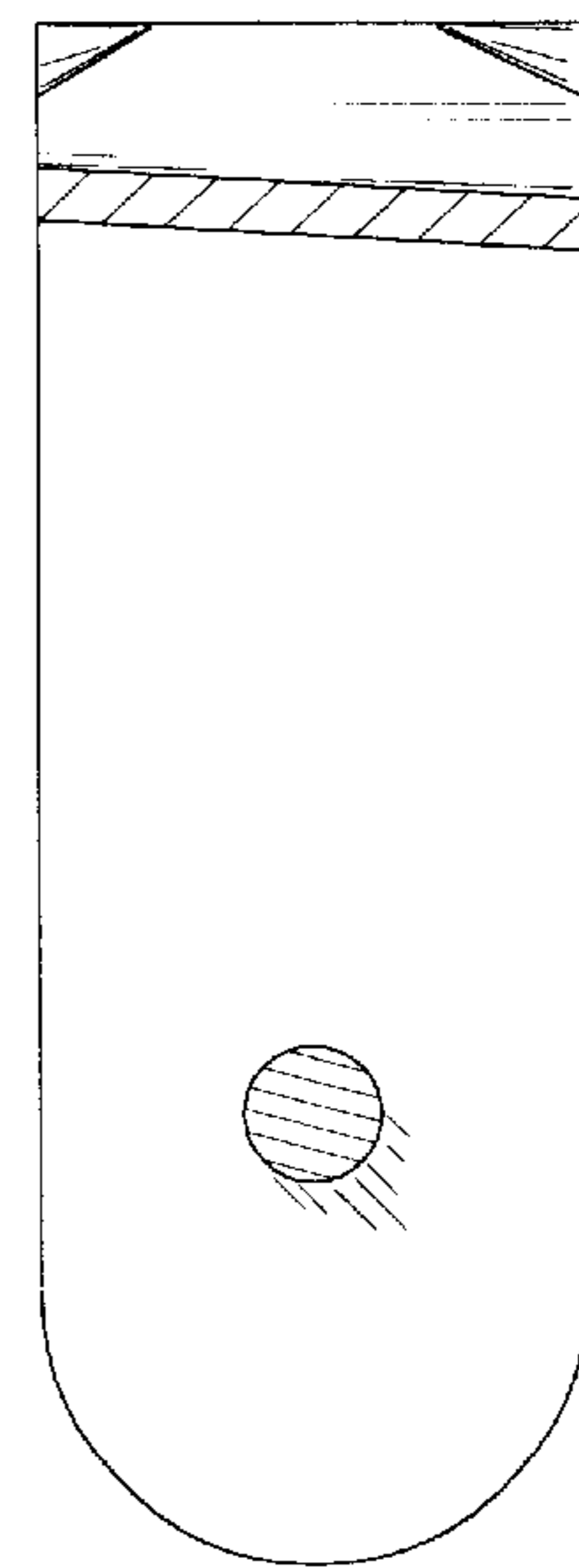
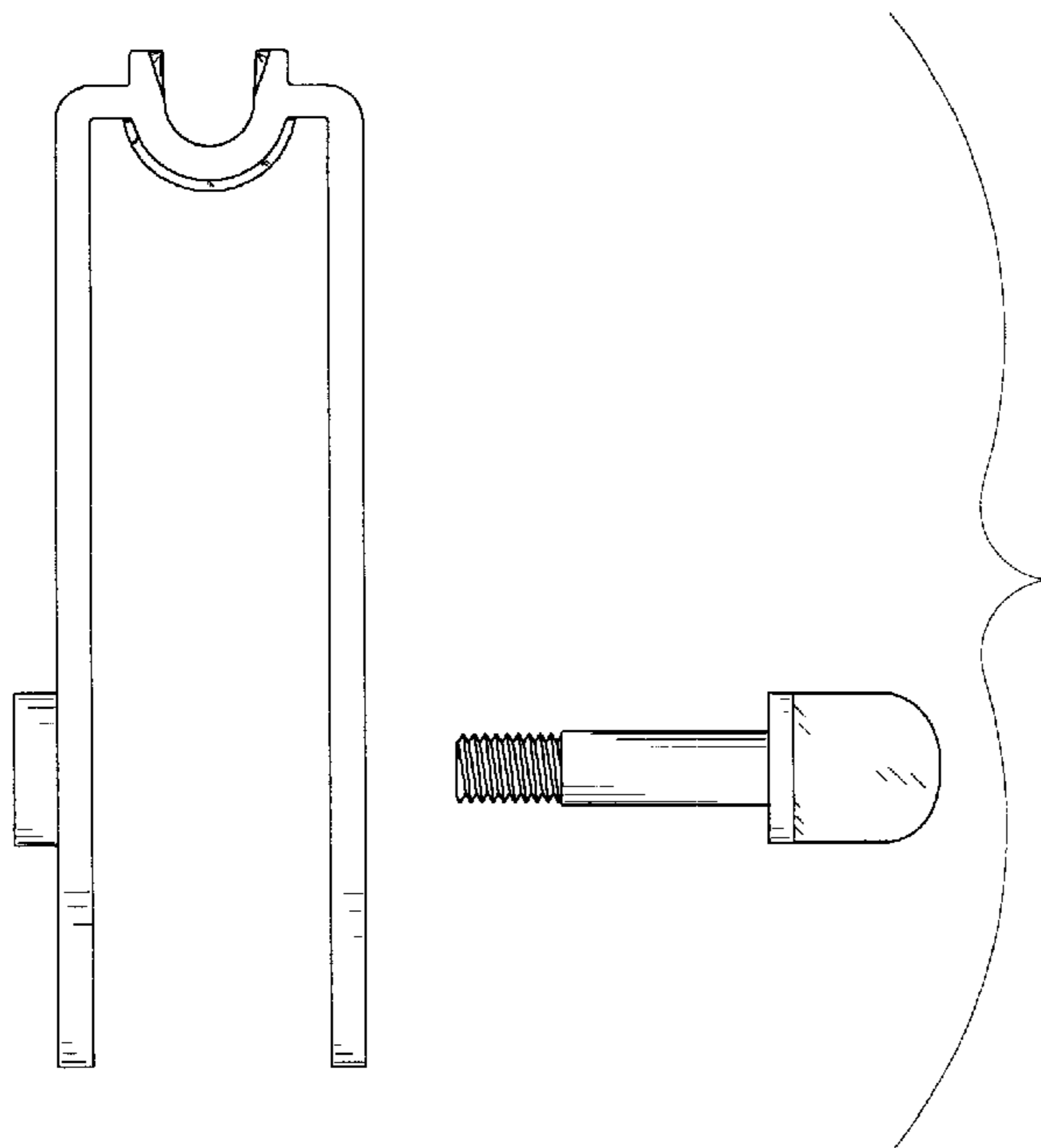
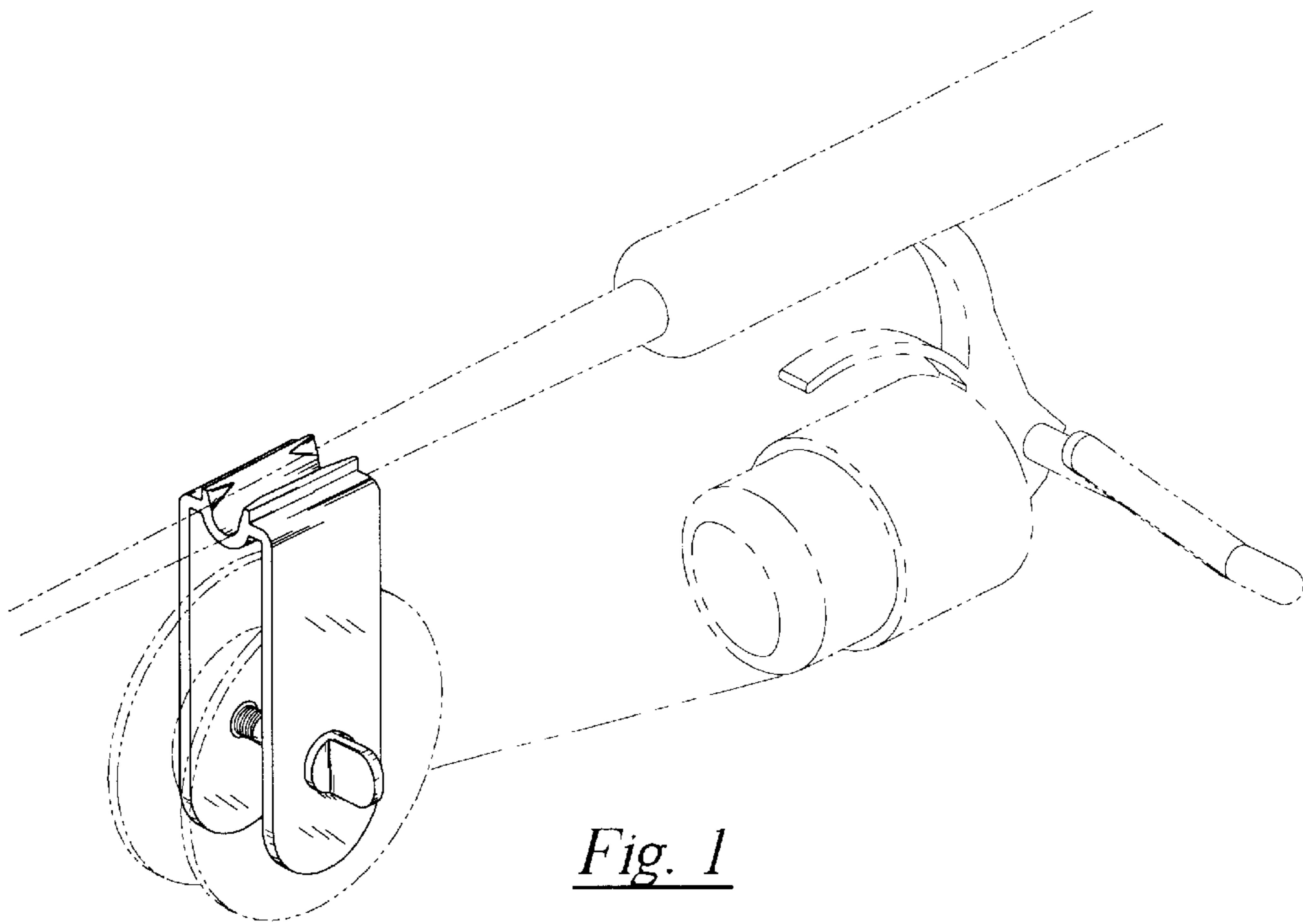
(56) **References Cited**

**U.S. PATENT DOCUMENTS**

2,993,661 A \* 7/1961 D'Arrigo ..... 242/129.8  
3,647,155 A \* 3/1972 Jorgenson ..... 242/129.8  
4,922,644 A 5/1990 Sherbondy ..... 43/25  
5,029,409 A 7/1991 Nouwens ..... 43/25  
D335,523 S \* 5/1993 Henslee ..... D22/134

**1 Claim, 2 Drawing Sheets**





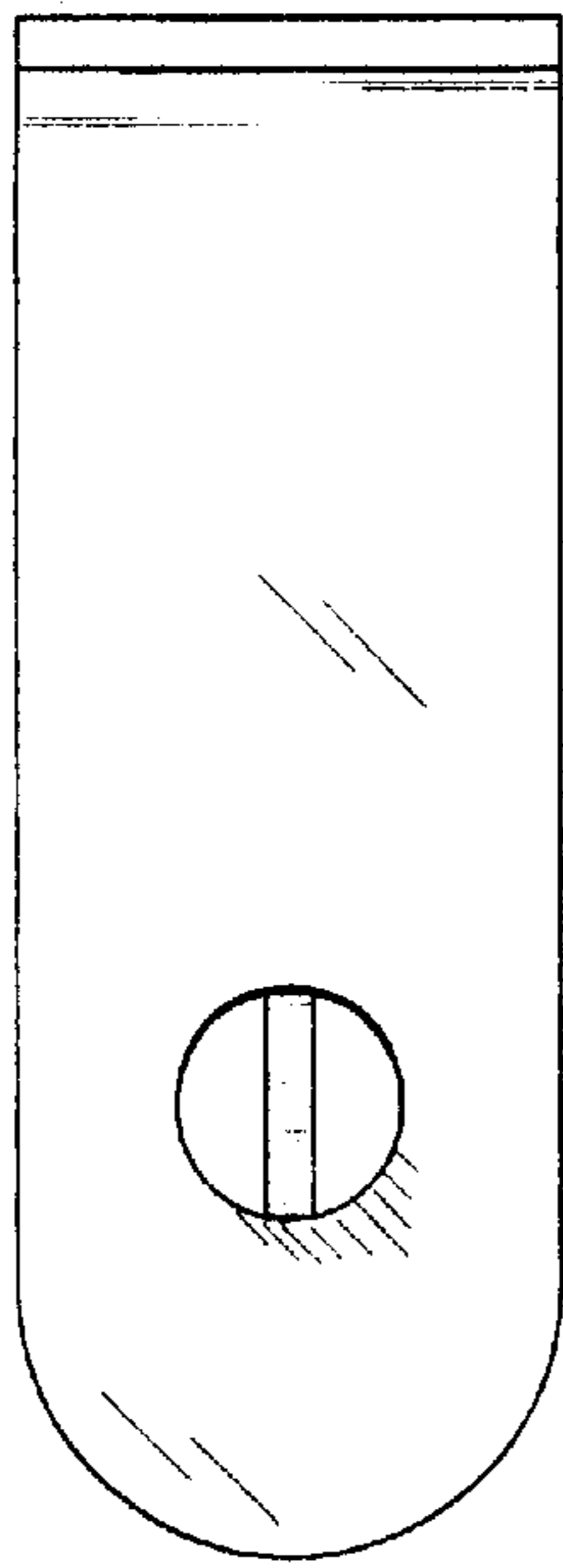


Fig. 4

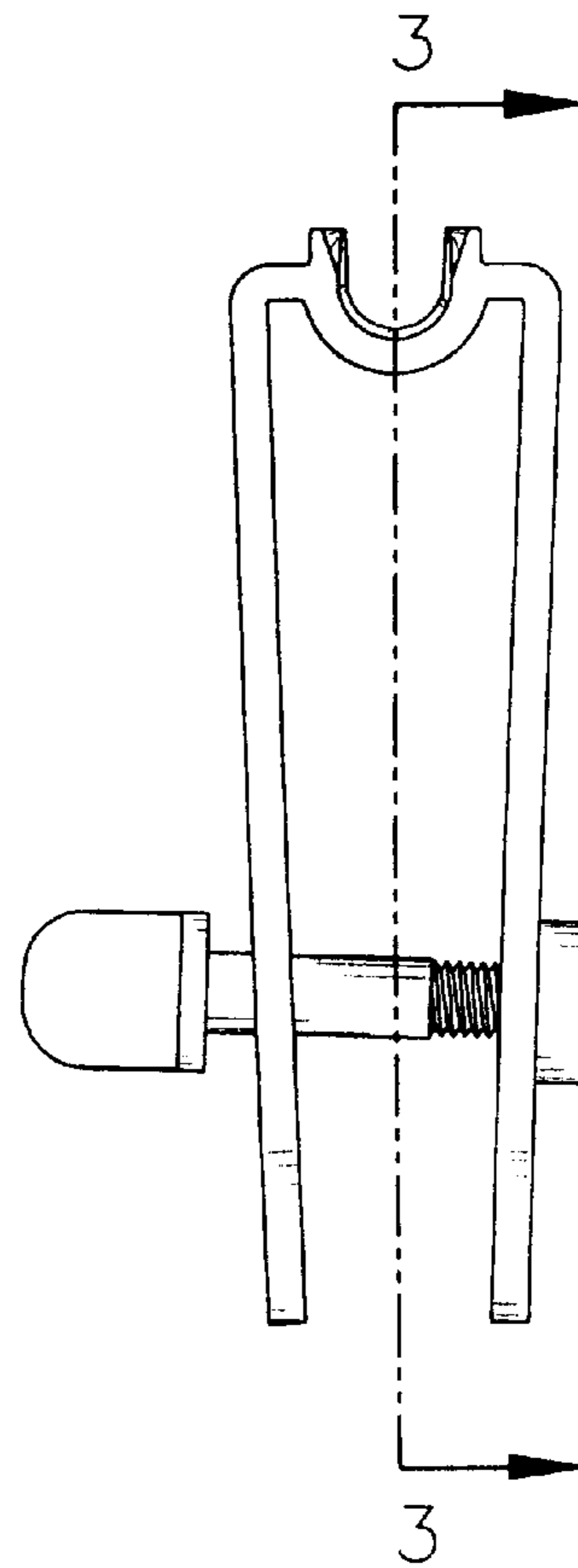


Fig. 5

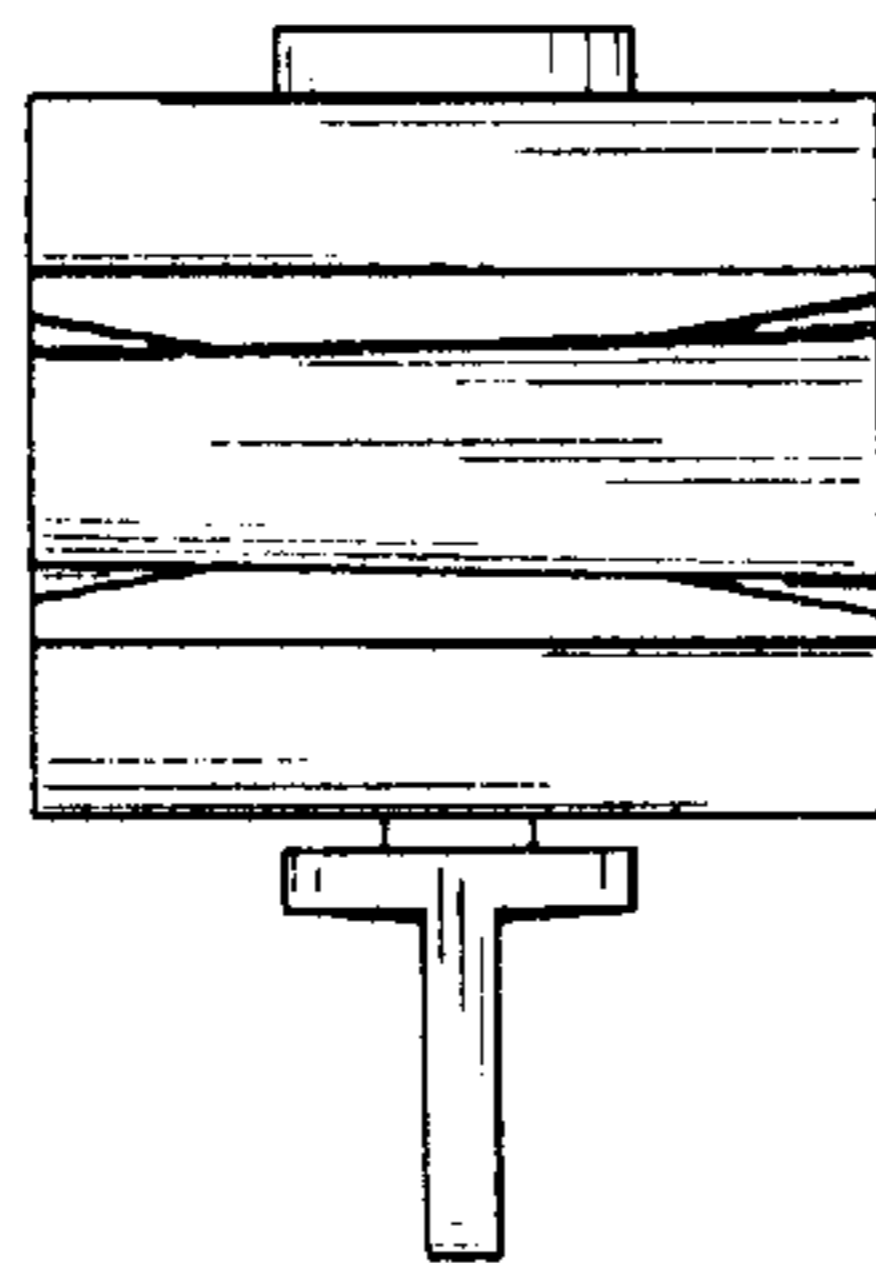


Fig. 6

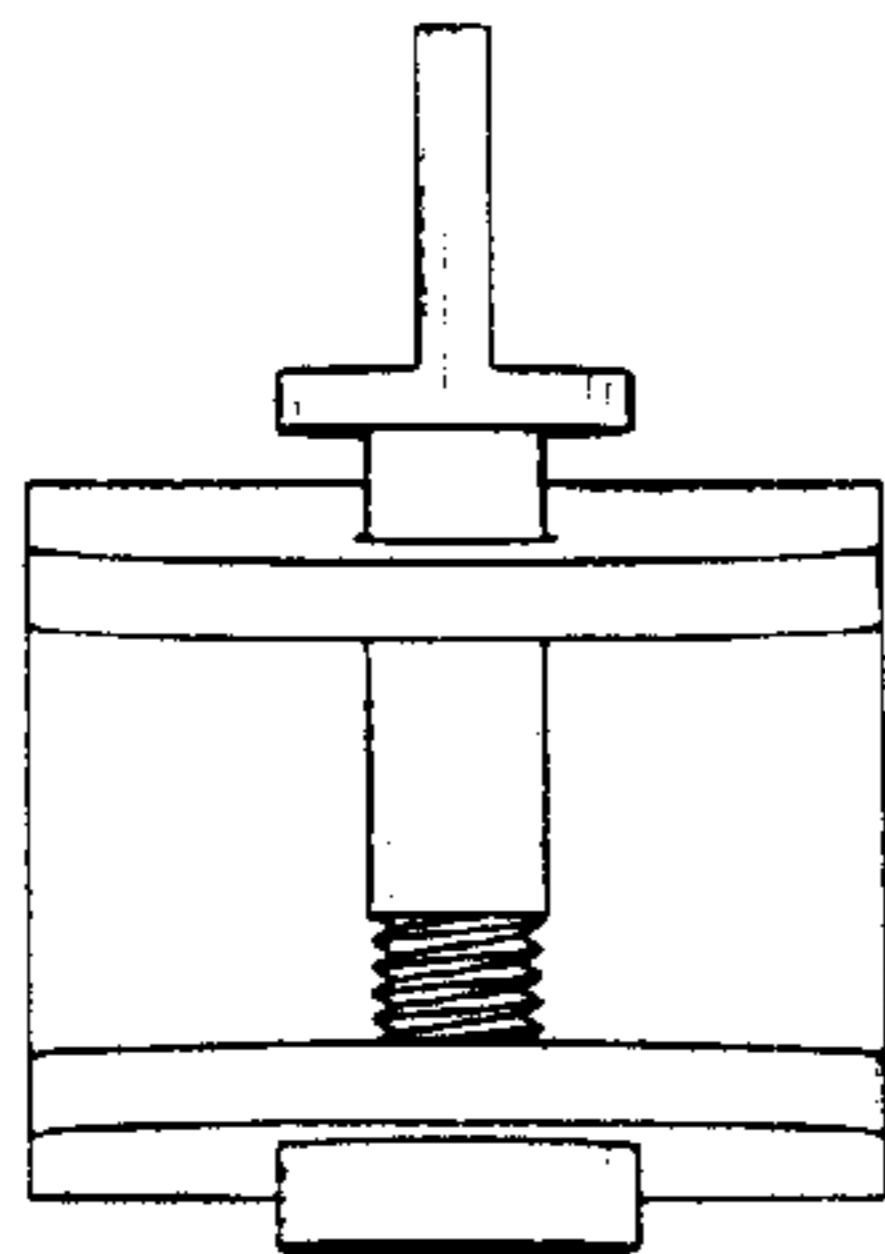


Fig. 7

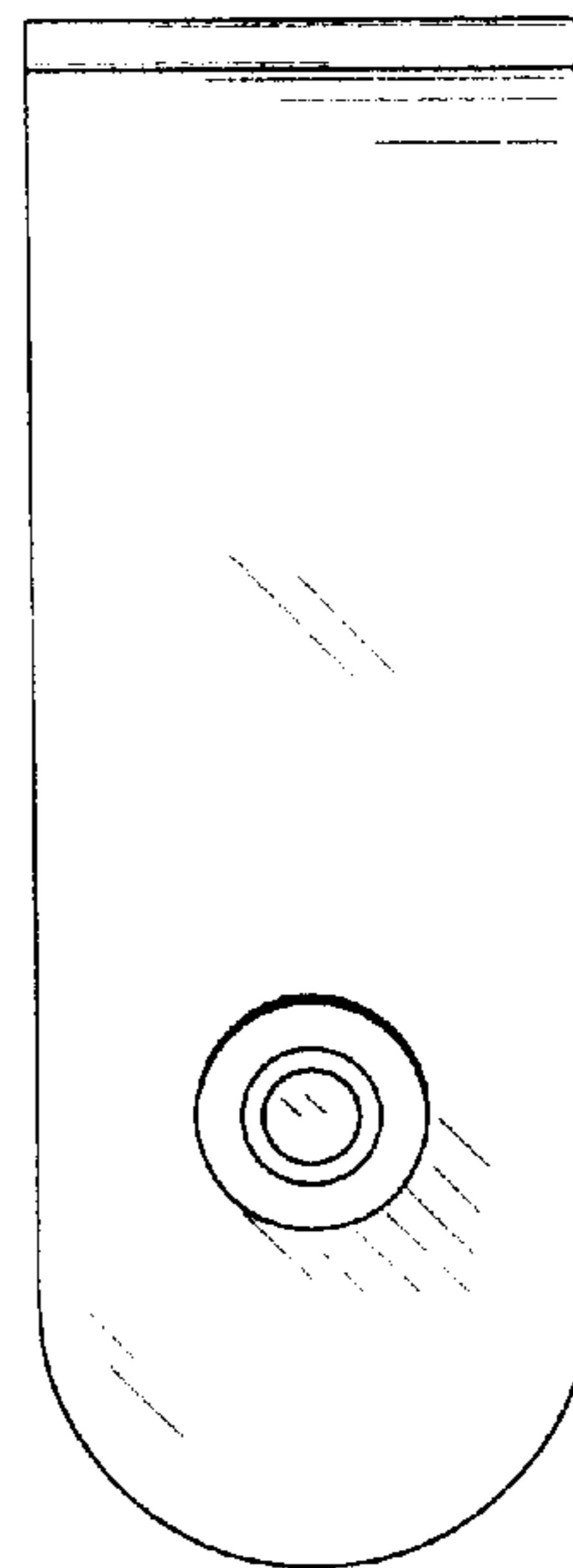


Fig. 8