



US00D456481S

(12) **United States Design Patent**  
**Stevenson et al.**

(10) **Patent No.:** **US D456,481 S**

(45) **Date of Patent:** **\*\* Apr. 30, 2002**

(54) **SNAIL JAIL**

D377,961 S \* 2/1997 Dickson et al. .... D22/122  
5,657,575 A \* 8/1997 Miller et al. .... 43/131

(75) Inventors: **Alden Stevenson**, 412 Villa Ter., San Mateo, CA (US) 94401; **Edward Green**, Tracy, CA (US)

\* cited by examiner

*Primary Examiner*—Catherine R. Oliver  
(74) *Attorney, Agent, or Firm*—Michael A. Glenn

(73) Assignee: **Alden Stevenson**, San Mateo, CA (US)

(57) **CLAIM**

(\*\*) Term: **14 Years**

The ornamental design for a snail jail, as shown and described.

(21) Appl. No.: **29/137,829**

**DESCRIPTION**

(22) Filed: **Feb. 27, 2001**

(51) **LOC (7) Cl.** ..... **22-05**

(52) **U.S. Cl.** ..... **D22/122**

(58) **Field of Search** ..... D22/122, 119,  
D22/123; 43/121, 131, 114, 111, 115, 116,  
107, 132

FIG. 1 is a perspective view of a snail jail according to the invention;

FIG. 2 is a side view of a snail jail according to the invention;

FIG. 3 is a top view of a snail jail according to the invention; and,

FIG. 4 is a bottom view of a snail jail according to the invention.

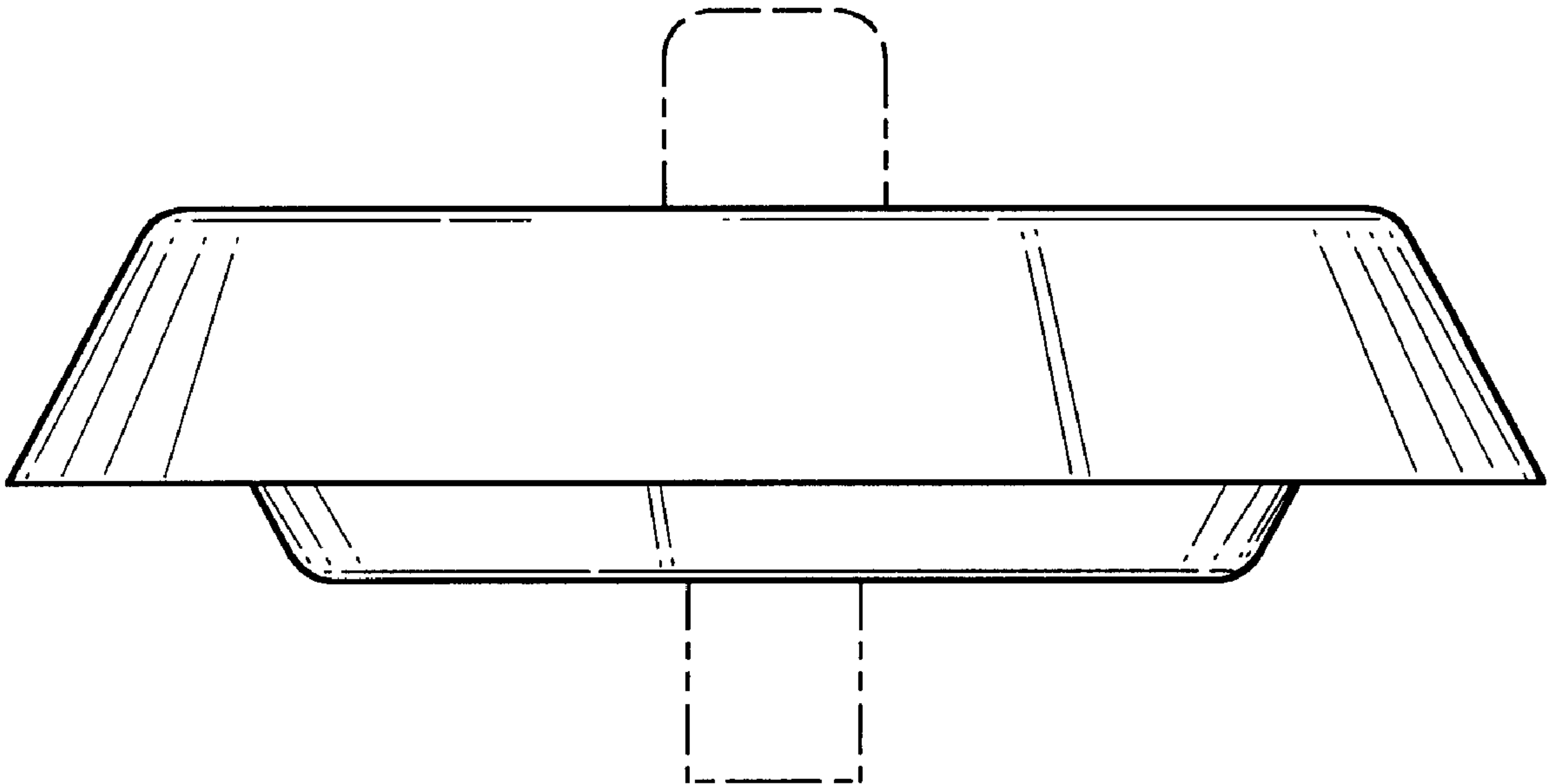
The broken line showing of environment in the drawings is for illustrative purposes only and forms no part of the claimed design.

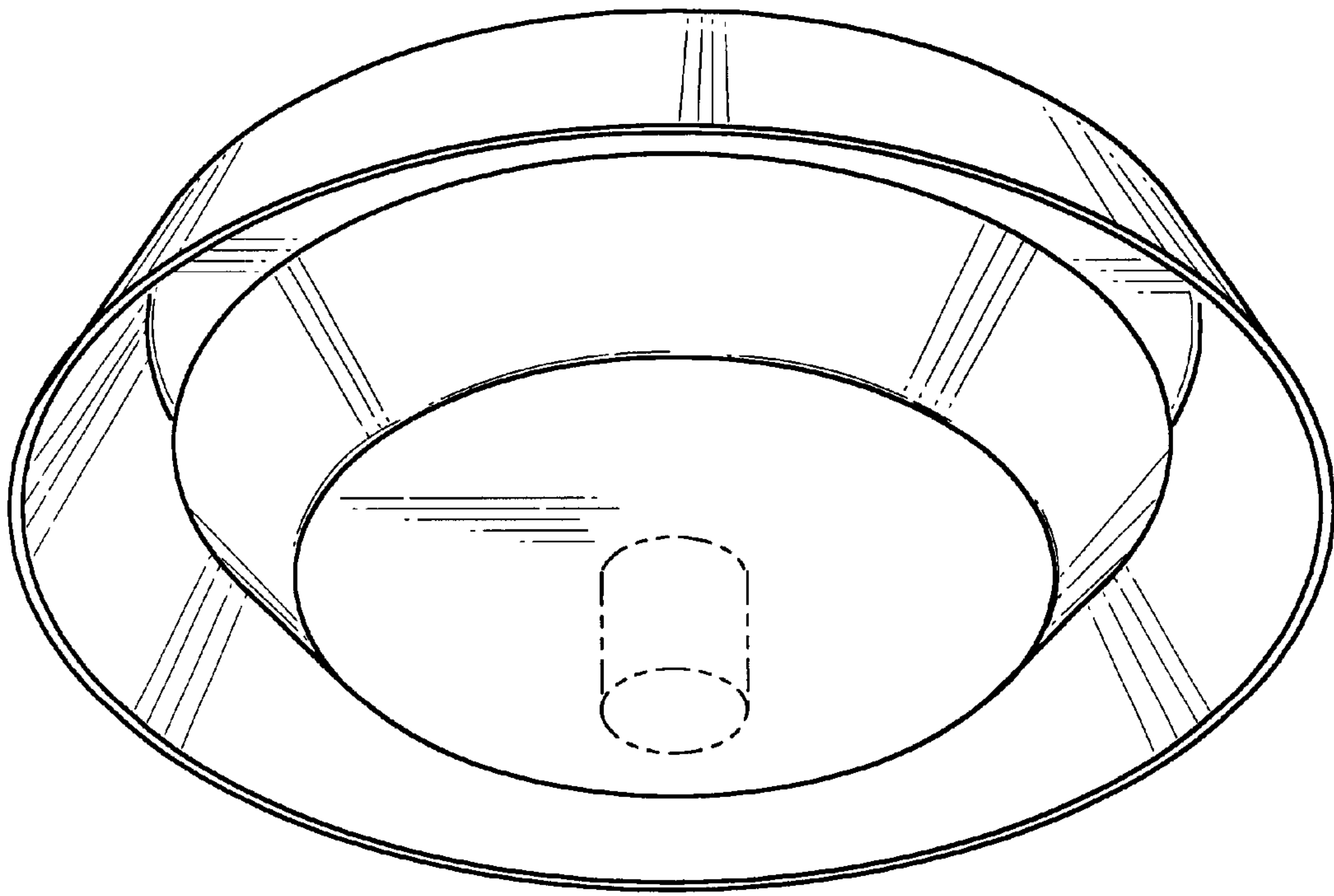
(56) **References Cited**

**U.S. PATENT DOCUMENTS**

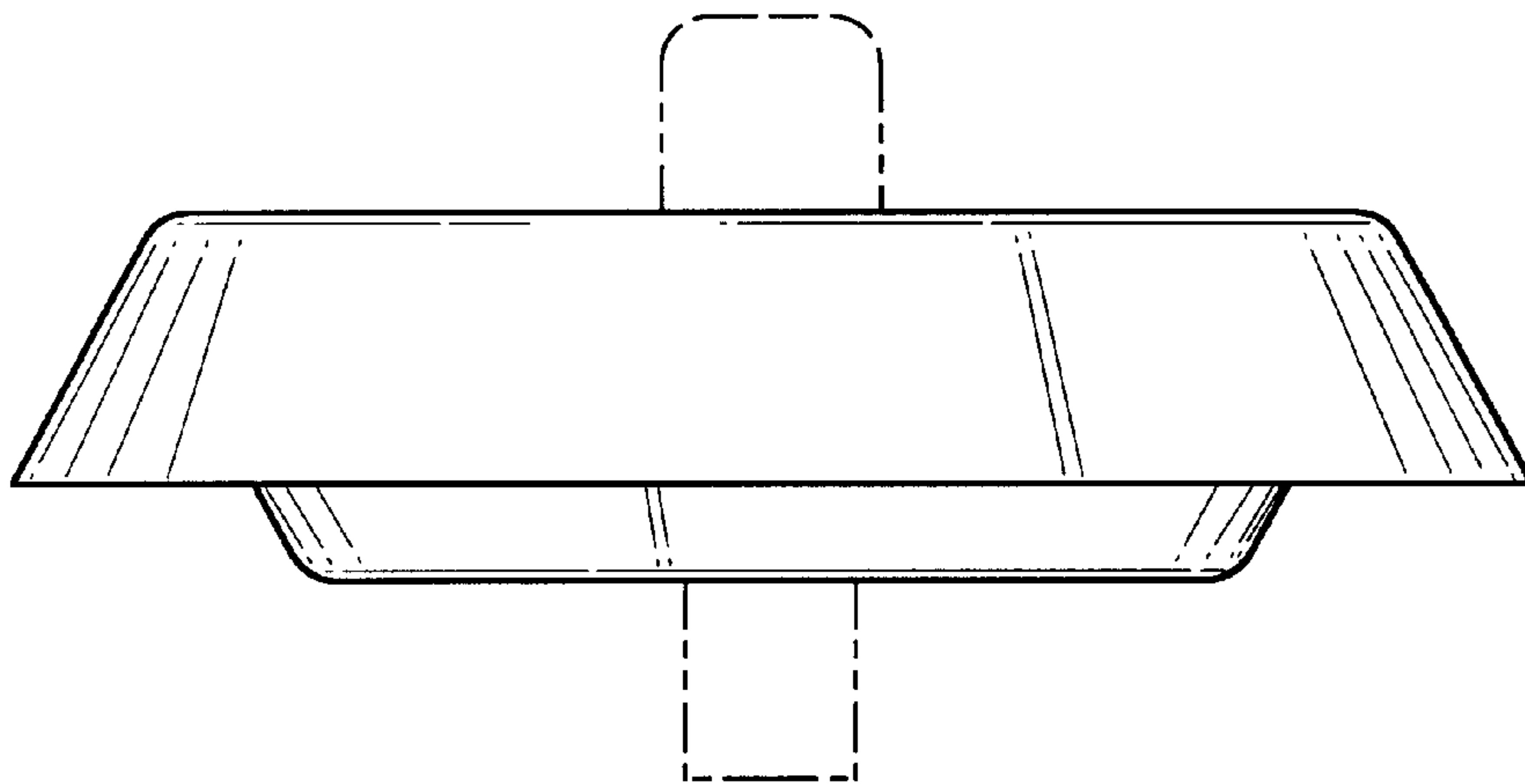
4,761,912 A \* 8/1988 Dyer et al. .... 43/121  
5,548,922 A \* 8/1996 Wefler ..... 43/131  
D374,703 S \* 10/1996 Dickson et al. .... D22/122

**1 Claim, 2 Drawing Sheets**

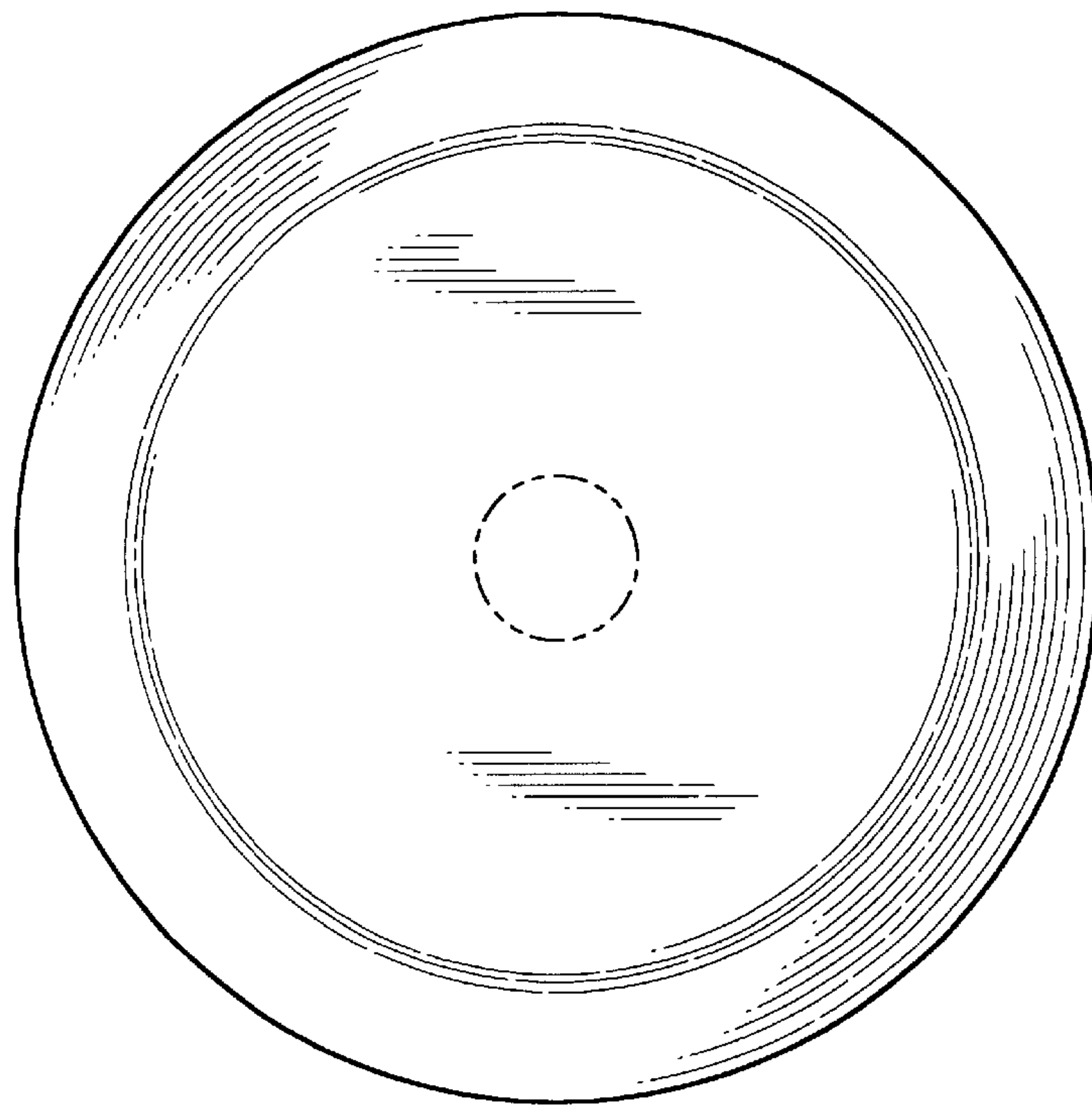




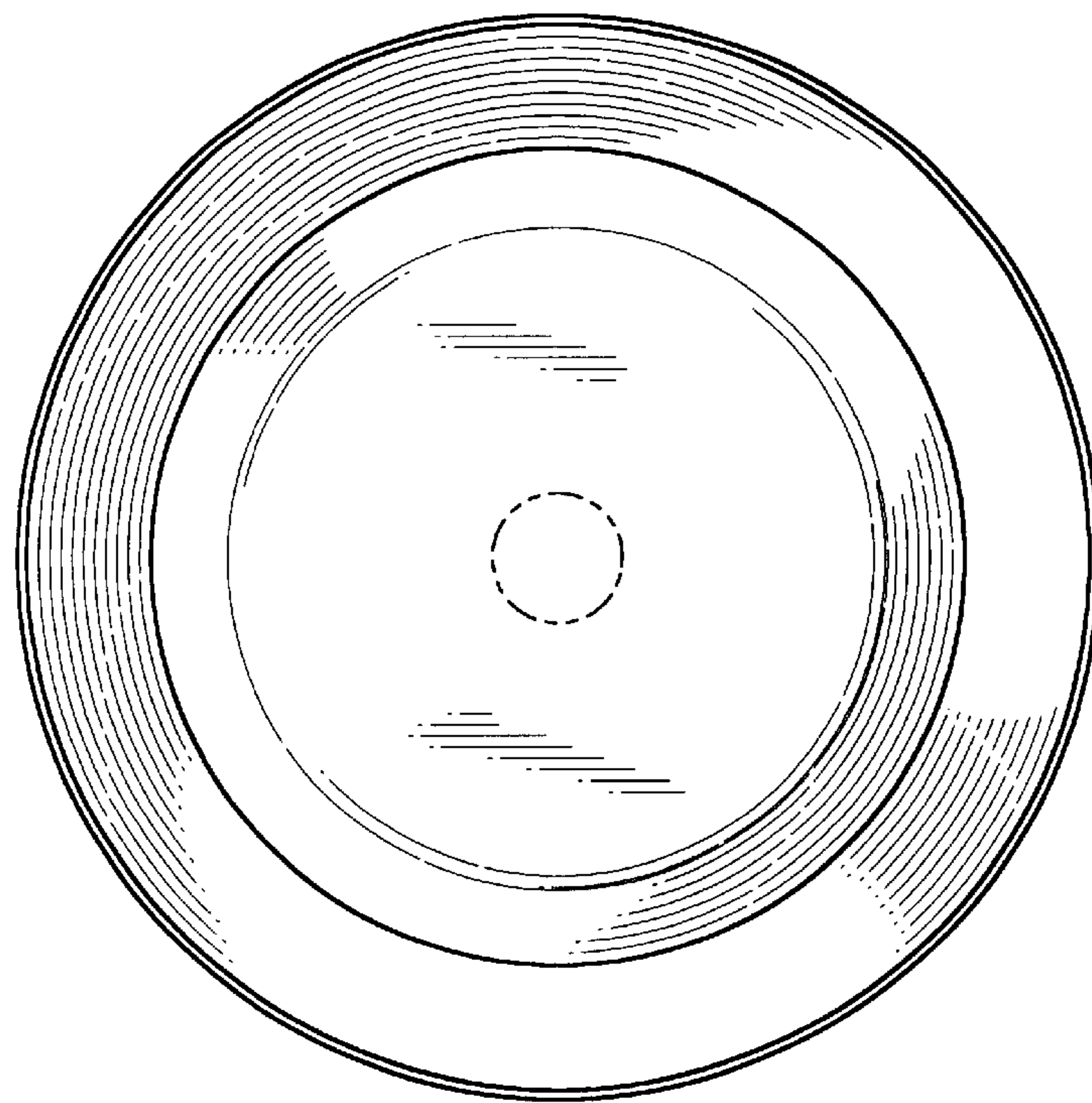
*FIG. 1*



*FIG. 2*



*FIG. 3*



*FIG. 4*