



US00D456480S

(12) **United States Design Patent**
Quinsa et al.

(10) **Patent No.:** **US D456,480 S**

(45) **Date of Patent:** **** Apr. 30, 2002**

(54) **BULLET**

(76) Inventors: **André Quinsa**, 36 avenue de l'Hôtel de Ville, La Motte-Beuvron 41600; **Paul Carre**, Les Baudoins, 8 chemin des Baudoins, Les Essarts le Roi 78690, both of (FR)

(**) Term: **14 Years**

(21) Appl. No.: **29/144,606**

(22) Filed: **Jul. 9, 2001**

(51) **LOC (7) Cl.** **22-03**

(52) **U.S. Cl.** **D22/116; 102/508; 102/524**

(58) **Field of Search** **D22/100, 108, 116, 199; 102/501, 508, 509, 524, 526**

(56) **References Cited**

U.S. PATENT DOCUMENTS

2,868,130 A * 1/1959 Gulley et al. 102/501
3,138,102 A * 6/1964 Meyer et al. 102/509

3,157,137 A * 11/1964 Burns, Jr. 102/509
3,890,902 A * 6/1975 Travor et al. 102/526
D389,221 S * 1/1998 Borg D22/116
D447,209 S * 8/2001 Benini D22/116

* cited by examiner

Primary Examiner—Louis S. Zarfes

Assistant Examiner—Monica A. Weingart

(74) *Attorney, Agent, or Firm*—Wenderoth, Lind & Ponack, L.L.P.

(57) **CLAIM**

We claim the ornamental design for a bullet, as shown.

DESCRIPTION

FIG. 1 is a perspective view of a bullet according to our design;

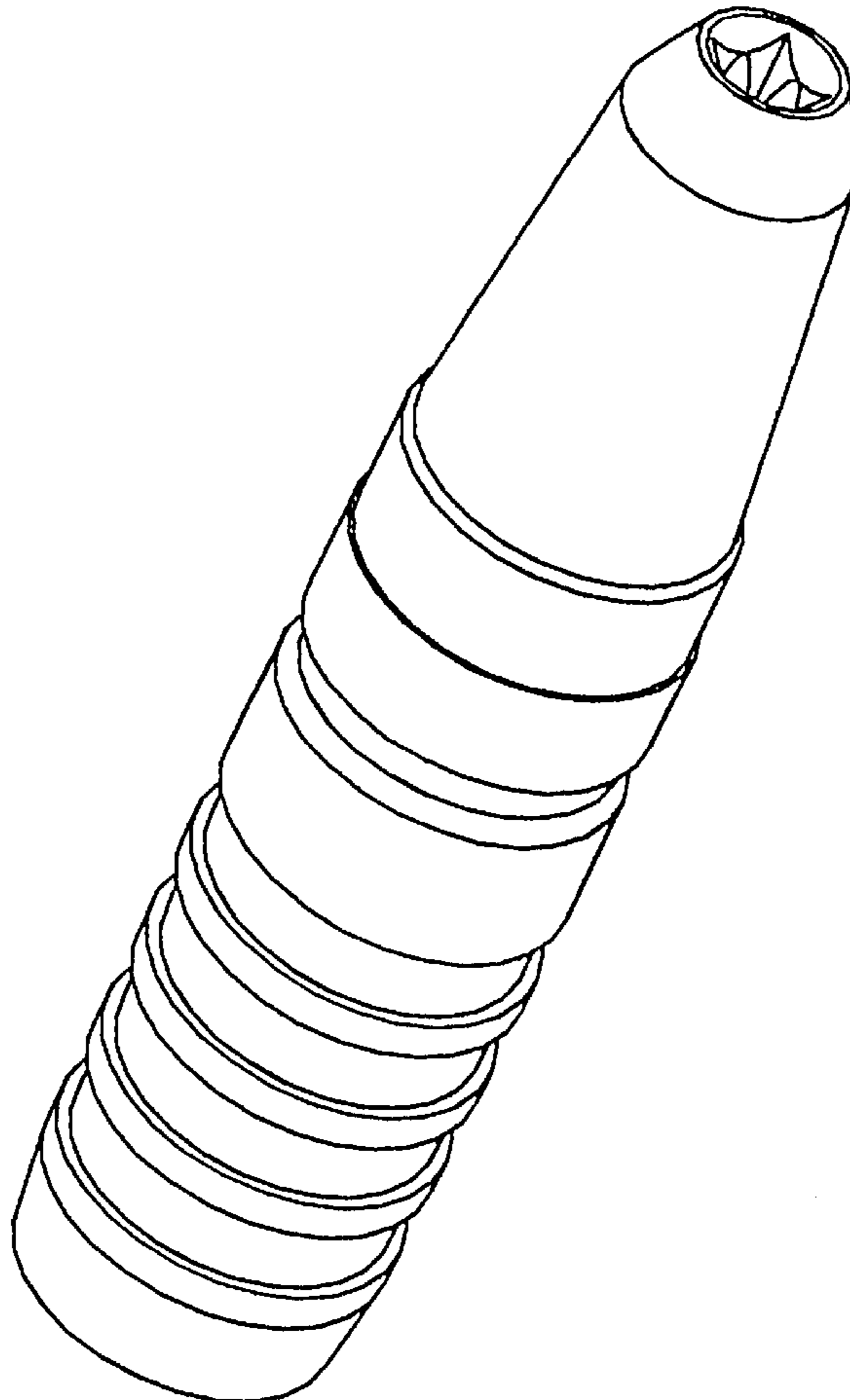
FIG. 2 is a right-hand side view of the bullet of FIG. 1;

FIG. 3 is a left-hand side view of the bullet of FIG. 1;

FIG. 4 is a top view of the bullet of FIG. 1; and,

FIG. 5 is a bottom view of the bullet of FIG. 1.

1 Claim, 5 Drawing Sheets



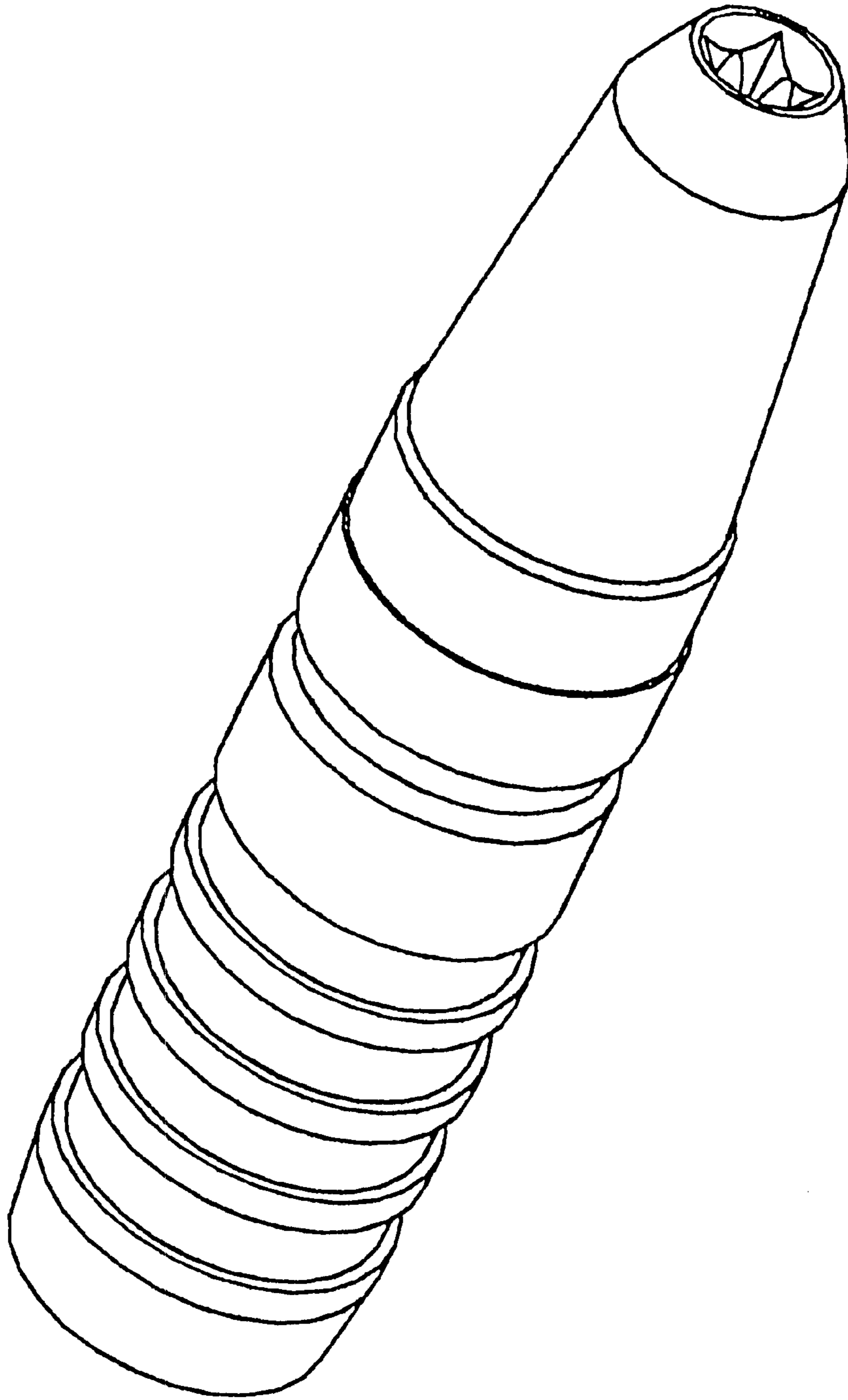


FIGURE 1

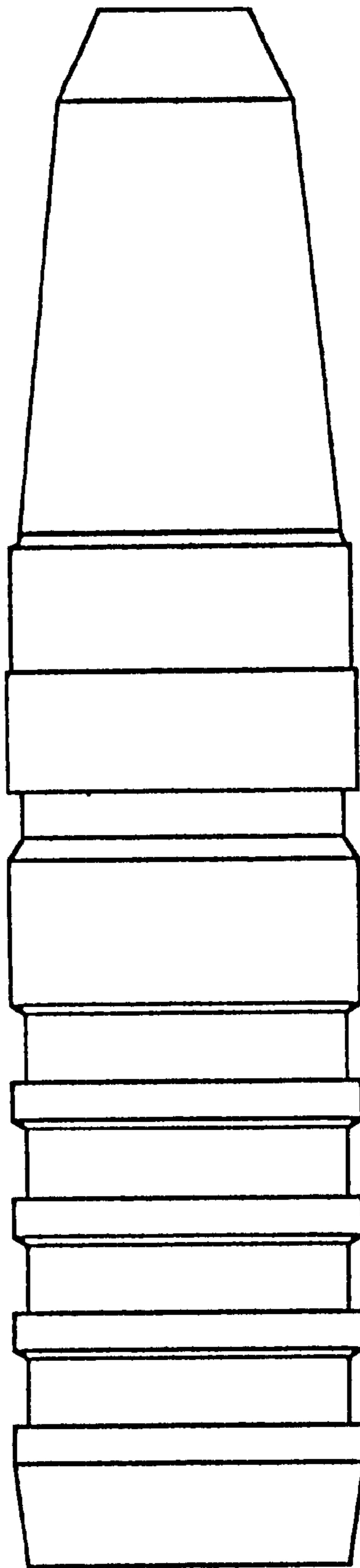


FIGURE 2

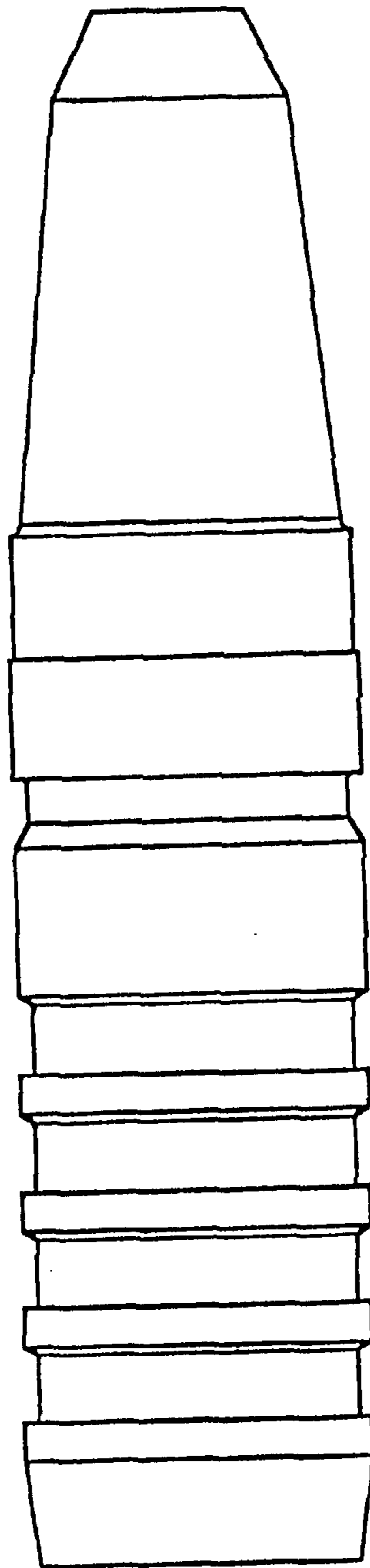


FIGURE 3

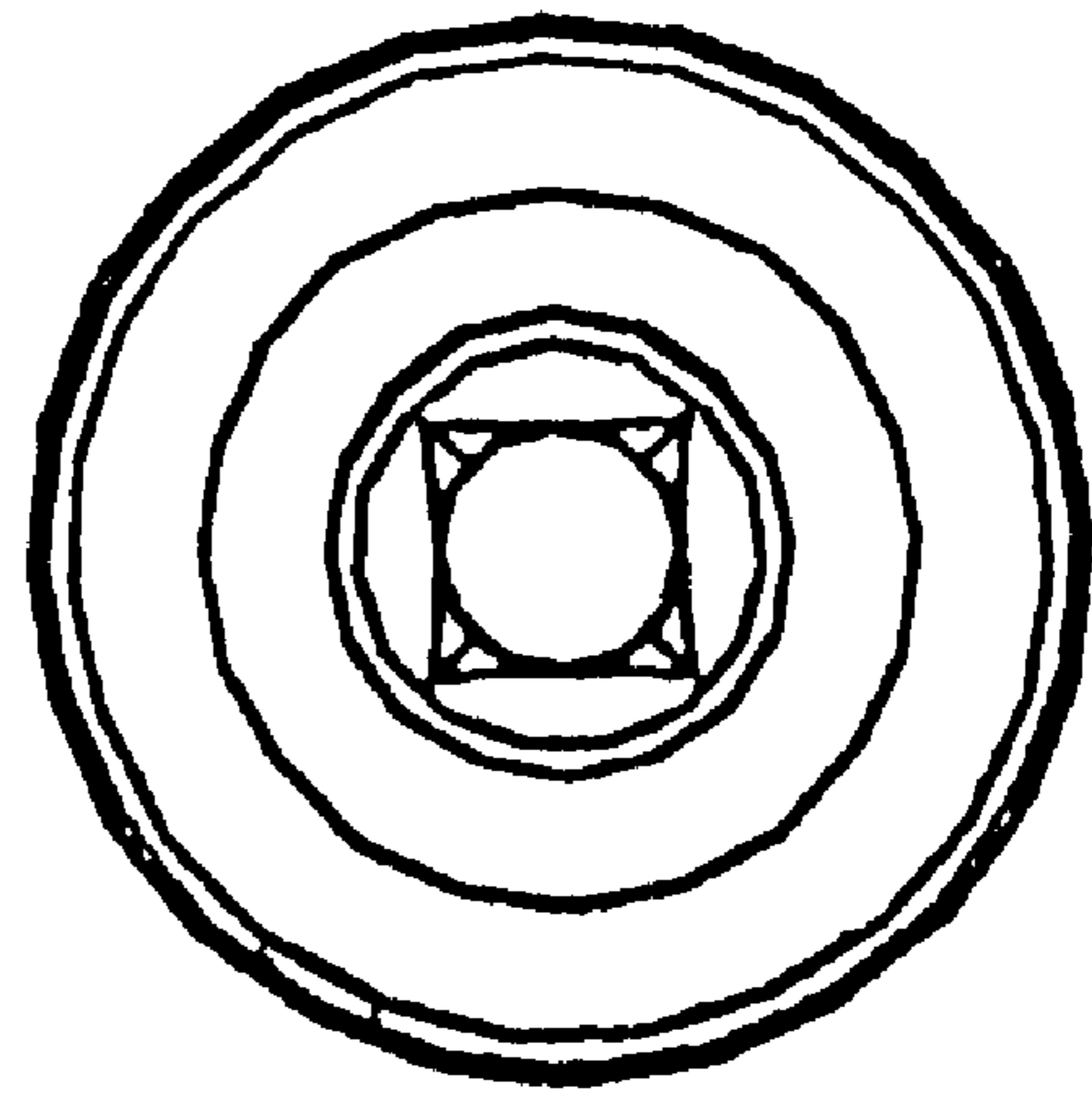


FIGURE 4

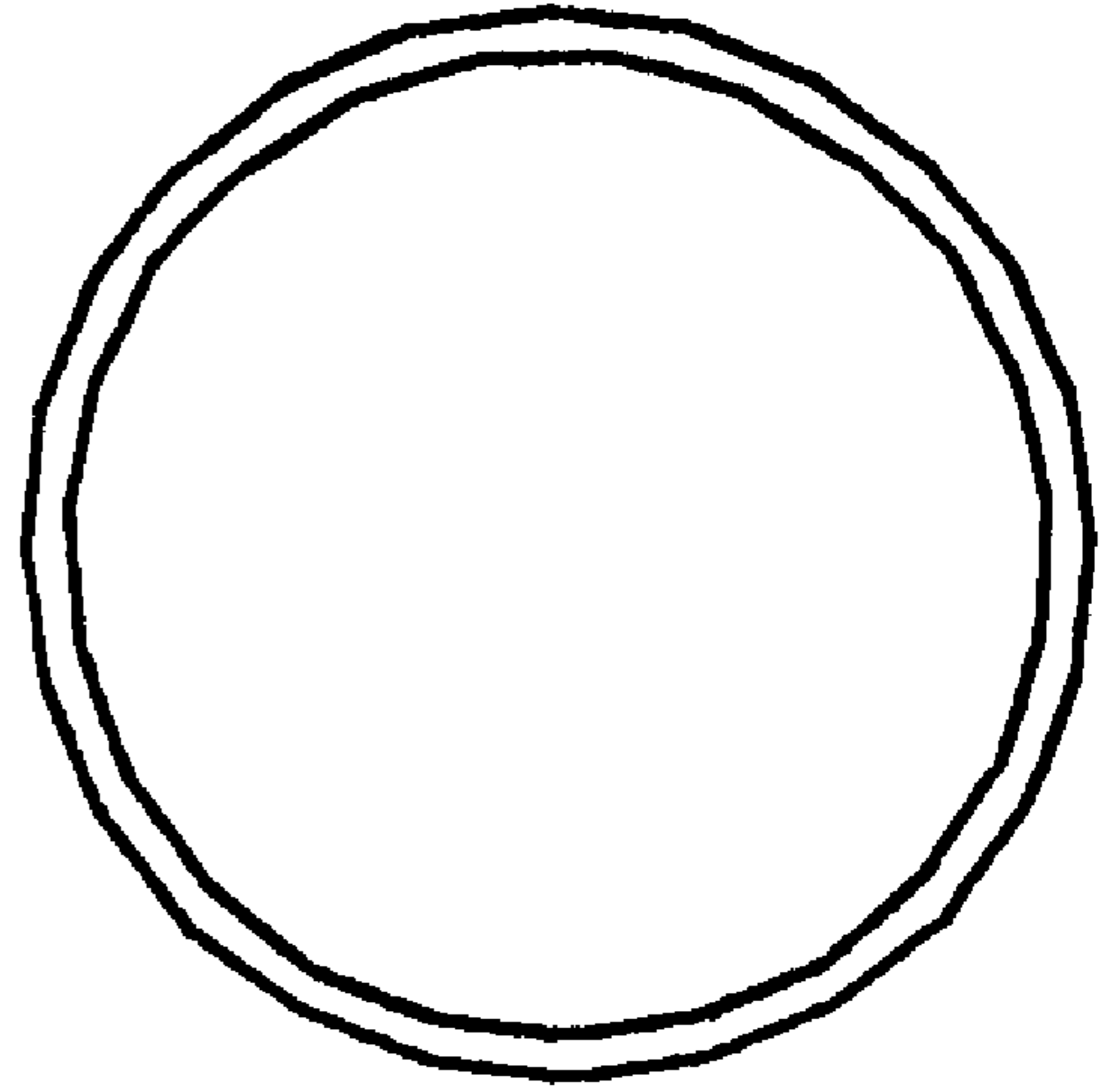


FIGURE 5