



US00D456477S

(12) **United States Design Patent**
Reed

(10) **Patent No.:** **US D456,477 S**

(45) **Date of Patent:** **** Apr. 30, 2002**

(54) **ADJUSTABLE TENNIS NET HOLDING DEVICE**

(76) **Inventor:** **William Reed**, 506 Corvette Dr., La Porte, IN (US) 46350

(**) **Term:** **14 Years**

(21) **Appl. No.:** **29/138,449**

(22) **Filed:** **Mar. 15, 2001**

(51) **LOC (7) Cl.** **21-02**

(52) **U.S. Cl.** **D21/799; D21/705**

(58) **Field of Search** **D21/799, 705; D8/349, 382, 394; 473/495**

(56) **References Cited**

U.S. PATENT DOCUMENTS

494,913 A *	4/1893	Booth	473/495
1,351,066 A *	8/1920	Robinson	473/495
1,409,981 A *	3/1922	Vaile	473/495
1,534,447 A *	4/1925	Hardy	473/495
2,306,774 A *	12/1942	Bunker	473/495
D199,086 S *	9/1964	Rogers	D8/349
D241,005 S *	8/1976	Asano	D8/349
4,247,099 A	1/1981	Pandak	

4,440,393 A	4/1984	Smith, Jr.	
4,509,749 A	4/1985	Robinson	
4,671,509 A	6/1987	Newman	
4,973,055 A	11/1990	Muir	
D357,404 S	4/1995	Doyle	
D409,073 S *	5/1999	Bluestone D8/394

* cited by examiner

Primary Examiner—Dominic Simone

(74) *Attorney, Agent, or Firm*—Norman Rainer

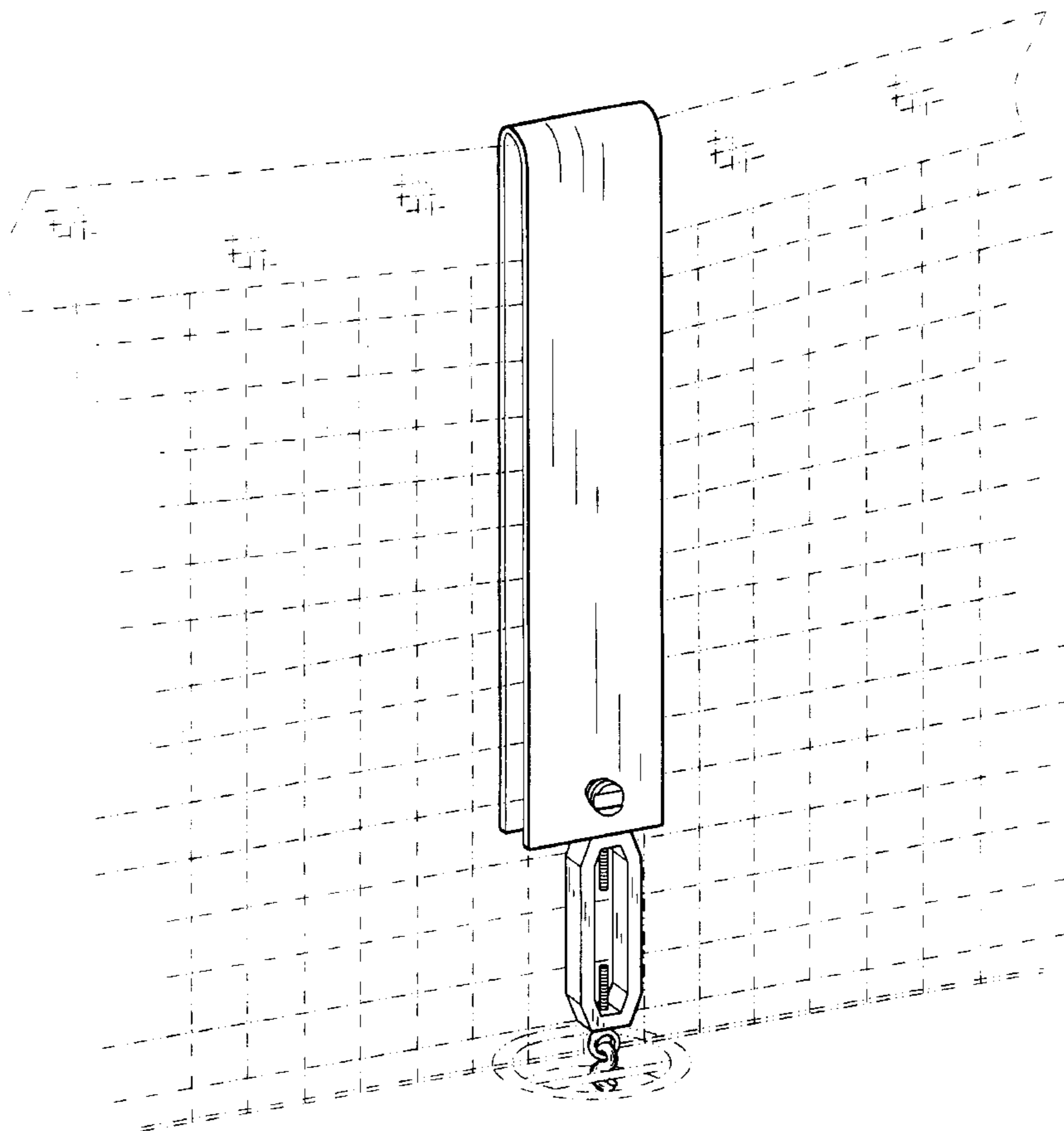
(57) **CLAIM**

The ornamental design for an adjustable tennis net holding device, as shown and described.

DESCRIPTION

FIG. 1 is a front perspective view of an adjustable tennis net holding device showing my new design, and shown in operative association with a tennis net and ground anchoring means, not parts of this invention;
 FIG. 2 is a side view thereof, the unshown opposite side being of mirror-image appearance;
 FIG. 3 is a rear view thereof;
 FIG. 4 is a top view thereof; and,
 FIG. 5 is a bottom view thereof.

1 Claim, 2 Drawing Sheets



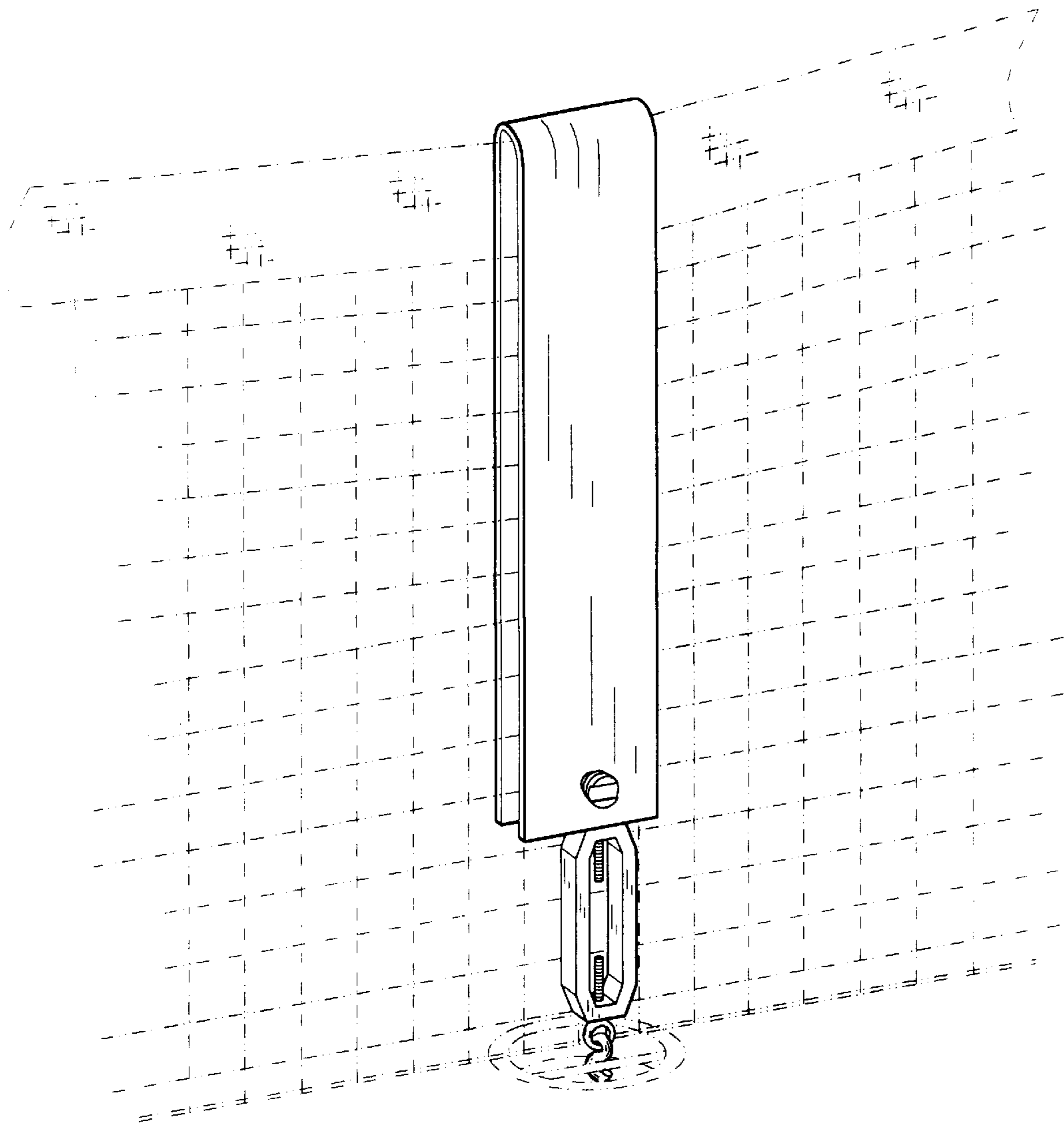


FIG. 1

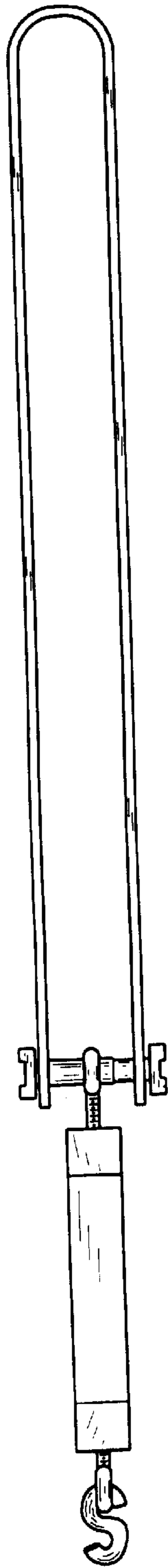


FIG. 2

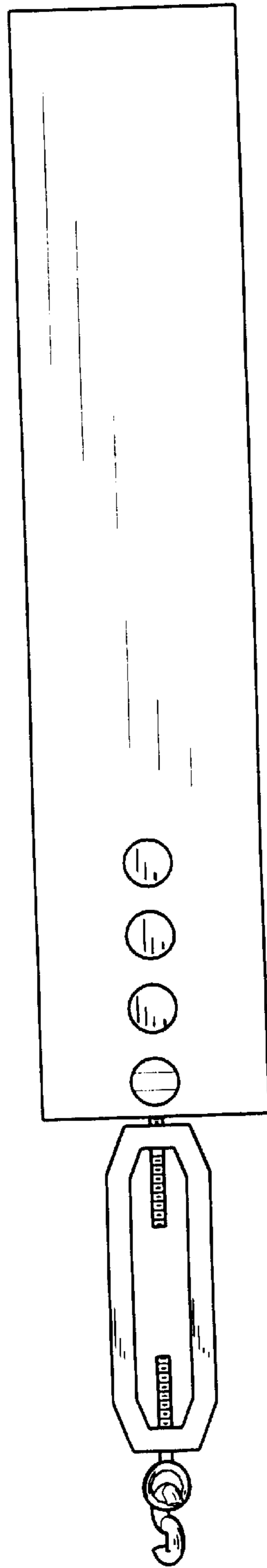


FIG. 3



FIG. 4

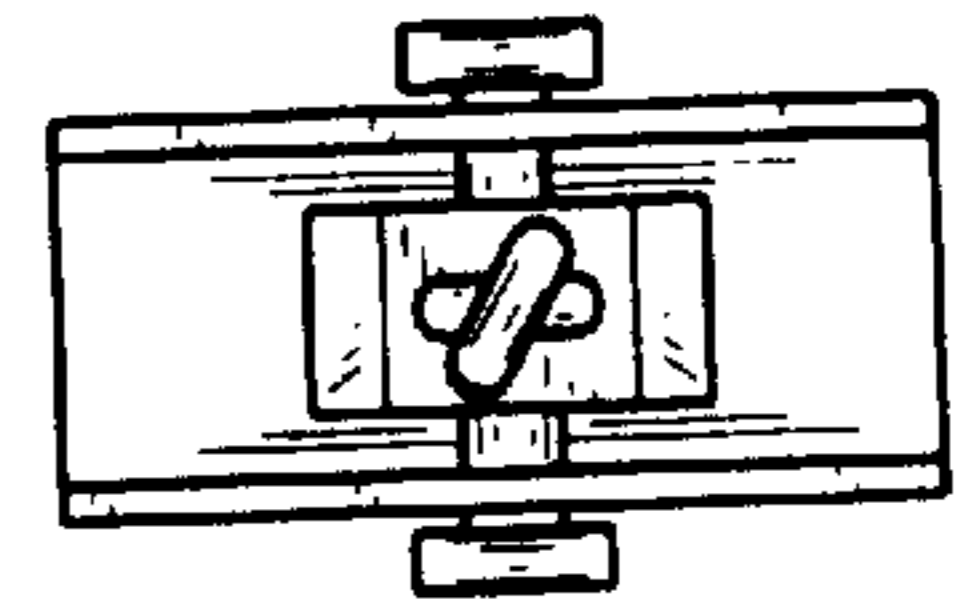


FIG. 5