



US00D456475S

(12) **United States Design Patent**  
**Aldrich**

(10) **Patent No.:** **US D456,475 S**

(45) **Date of Patent:** **\*\* Apr. 30, 2002**

(54) **TUBULAR GOLF TOOL**

(76) **Inventor:** **Darin James Aldrich**, 1130 W.  
127<sup>th</sup>Ct., Westminster, CO (US) 80234

(\*\*) **Term:** **14 Years**

(21) **Appl. No.:** **29/141,125**

(22) **Filed:** **Apr. 27, 2001**

(51) **LOC (7) Cl.** ..... **21-02**

(52) **U.S. Cl.** ..... **D21/793**

(58) **Field of Search** ..... D21/789, 793,  
D21/794; 473/286, 407, 408

(56) **References Cited**

**U.S. PATENT DOCUMENTS**

D169,412 S \* 4/1953 Bordelon ..... D21/793 X  
D308,713 S \* 6/1990 Sherry ..... D21/793

5,029,854 A \* 7/1991 Laskowitz et al. .... 473/407

5,511,785 A \* 4/1996 Rusin, Jr. .... 473/286

D383,516 S \* 9/1997 Stevens ..... D21/793

D439,626 S \* 3/2001 Lindsey ..... D21/793

\* cited by examiner

*Primary Examiner*—Mitchell Siegel

(57) **CLAIM**

The ornamental design for a tubular golf tool, as shown and described.

**DESCRIPTION**

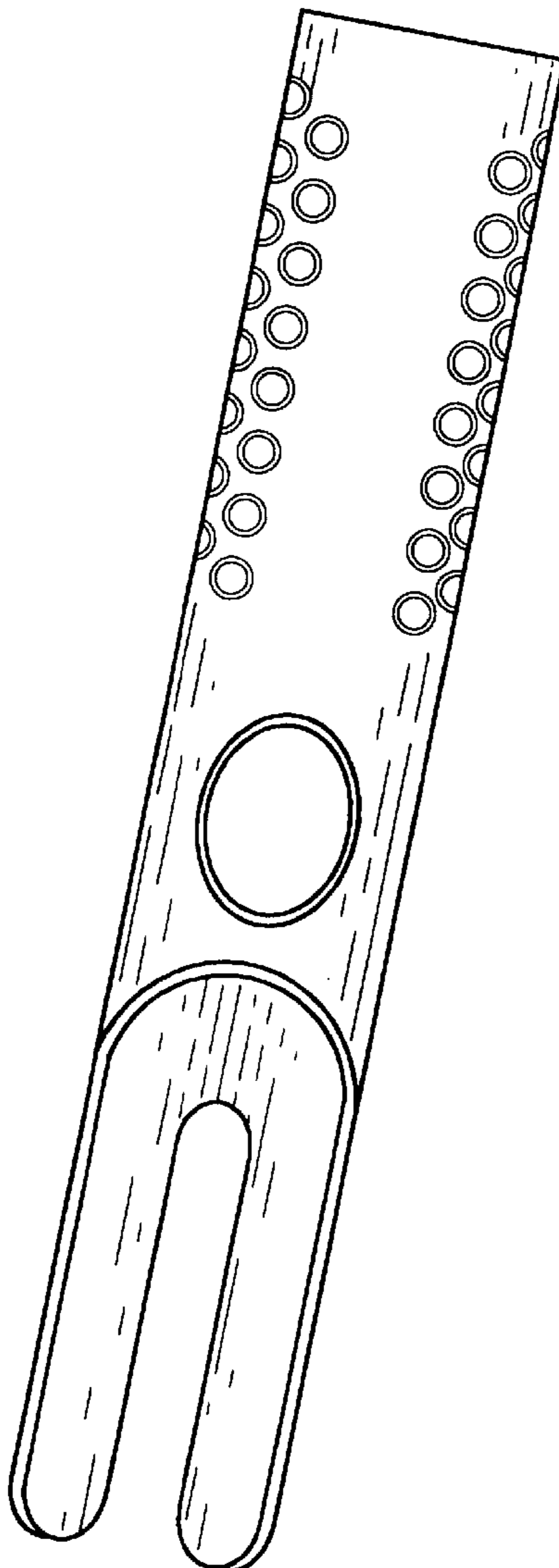
FIG. 1 is a front, elevational view.

FIG. 2 is a side view.

FIG. 3 is a front view; and,

FIG. 4 is a back view.

**1 Claim, 2 Drawing Sheets**



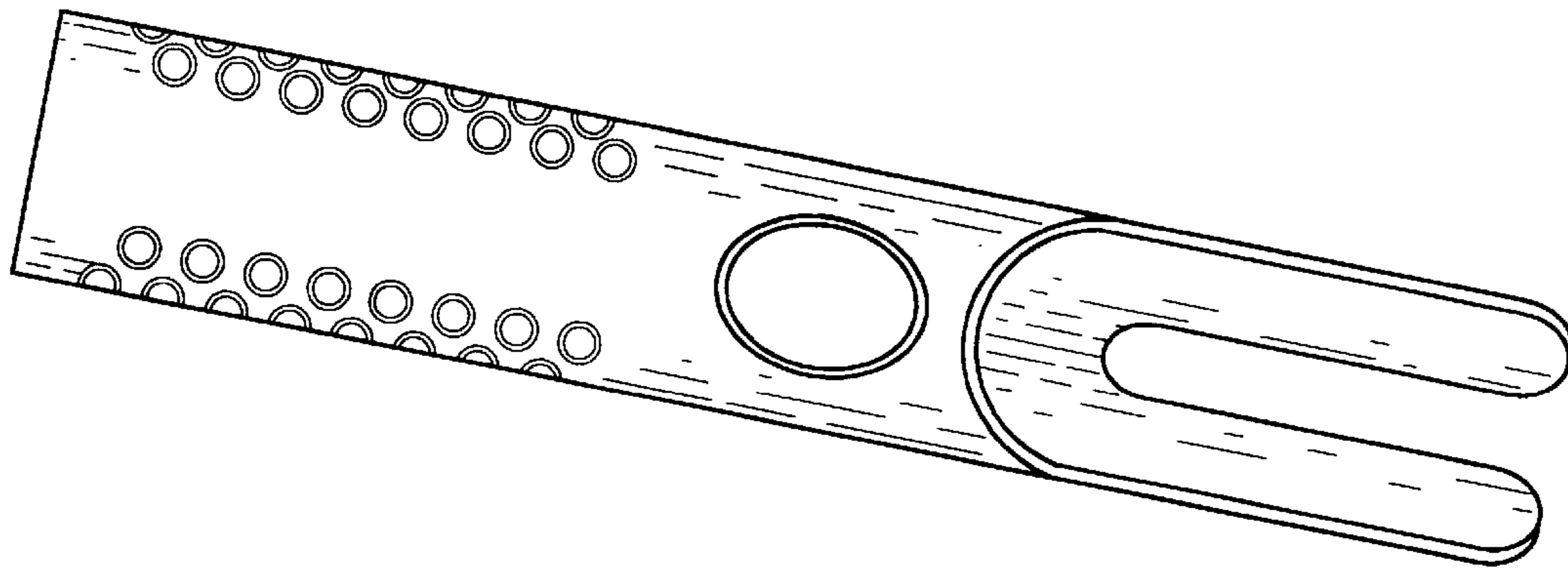


Fig. 1

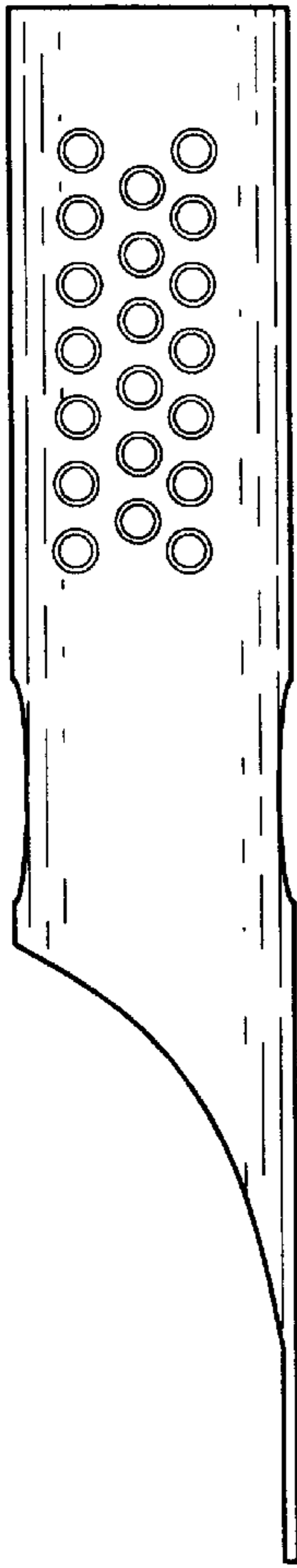


Fig. 2

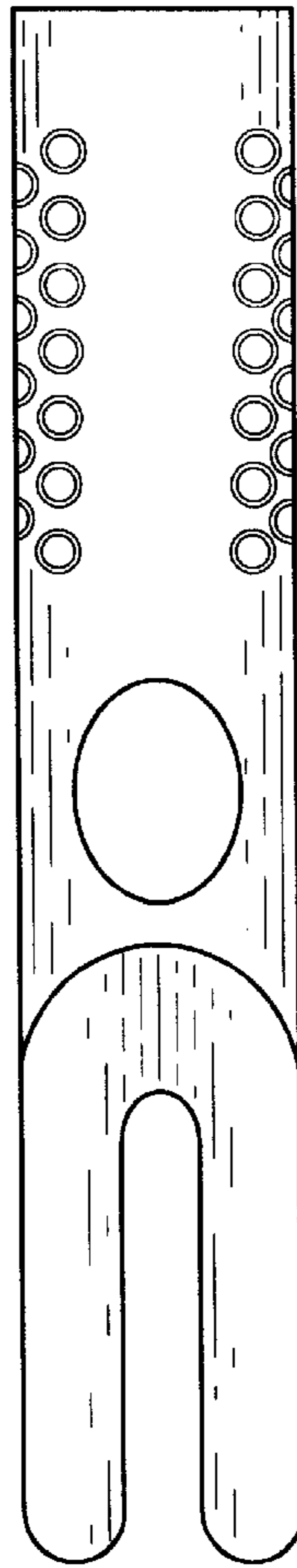


Fig. 3

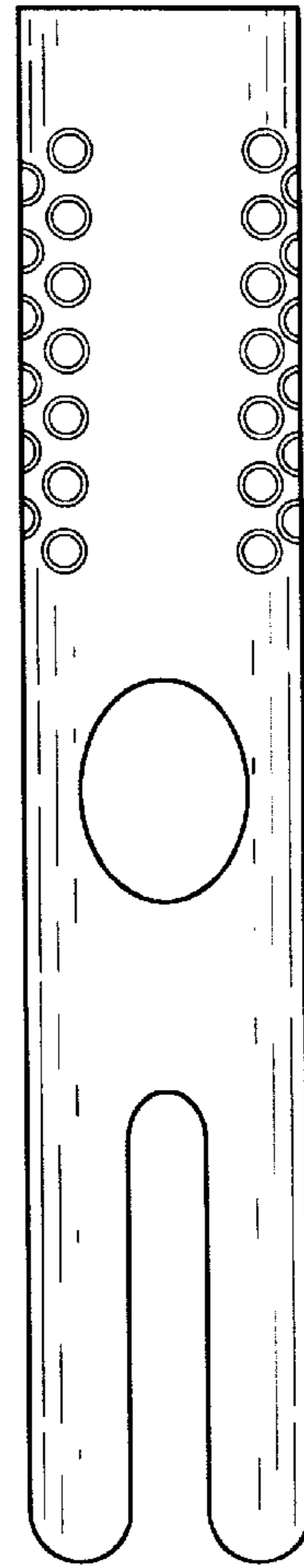


Fig. 4