



US00D456474S

(12) **United States Design Patent**
Edwards et al.

(10) **Patent No.:** **US D456,474 S**

(45) **Date of Patent:** **** Apr. 30, 2002**

(54) **ANTI-HEEL LIFT DEVICE**

(76) Inventors: **Daniel Gary Edwards; David Anthony Dumas**, both of Suite 2, 52 Womerah Avenue, Darlinghurst New South Wales 2010 (AU)

(**) Term: **14 Years**

(21) Appl. No.: **29/125,847**

(22) Filed: **Jun. 30, 2000**

Related U.S. Application Data

(63) Continuation-in-part of application No. 29/072,146, filed on Feb. 21, 1996, now Pat. No. Des. 427,655, which is a continuation of application No. 29/011,447, filed on Aug. 4, 1993, now abandoned.

(30) **Foreign Application Priority Data**

Feb. 5, 1993 (AU) 291/1993

(51) **LOC (7) Cl.** **21-02**

(52) **U.S. Cl.** **D21/771**

(58) **Field of Search** D21/763-775,
D21/662, 698, 684, 685, 694; 280/11.2,
11.19, 11.22, 11.27, 11.23, 809, 816

(56) **References Cited**

U.S. PATENT DOCUMENTS

748,172 A	12/1903	Draper	
2,733,065 A	1/1956	Barkschat	272/57
D226,118 S	1/1973	Deberardino	D21/764
D265,495 S	7/1982	Dominy et al.	D21/226
D266,177 S	9/1982	Riggs	D21/226
4,379,564 A	4/1983	Welker	280/11.2
D299,259 S	1/1989	Vullierme	D21/226

D314,414 S	2/1991	Wendt	D21/226
5,002,294 A	3/1991	Franz	280/87.042
5,056,819 A	10/1991	Hayes	280/809
D326,700 S	6/1992	Brown et al.	D21/226
D344,316 S	2/1994	Gertler	D21/226

Primary Examiner—Raphael Barkai

(74) *Attorney, Agent, or Firm*—Davis & Bujold, P.L.L.C.

(57) **CLAIM**

We claim the ornamental design for anti-heel lift device, as shown and described.

DESCRIPTION

FIG. 1 is a right elevation view of an anti-heel lift device embodying our new design shown in use;

FIG. 2 is a left elevation of the anti-heel lift device of FIG. 1;

FIG. 3 is a rear view of the anti-heel lift device of FIG. 1;

FIG. 4 is a top view of the anti-heel lift device of FIG. 1;

FIG. 5 is a front view of the anti-heel lift device of FIG. 1;

FIG. 6 is a bottom view of the anti-heel lift device of FIG. 1;

FIG. 7 is a laid out view of the anti-heel lift device of FIG. 1, the opposite side being a mirror image thereof;

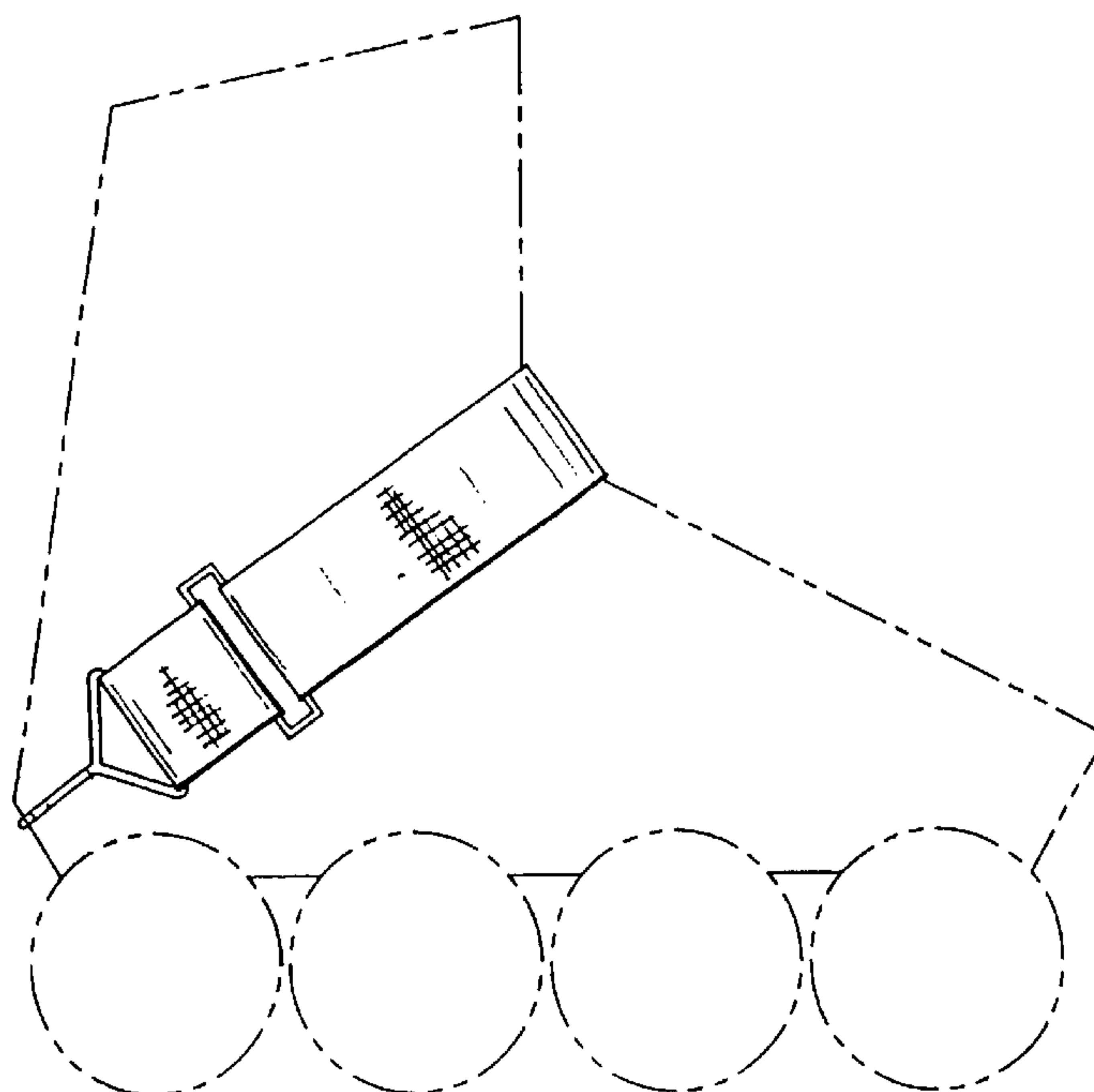
FIG. 8 is a laid out view of a second embodiment of the anti-heel lift device, the opposite side being a mirror image thereof except for the knotted element;

FIG. 9 is a laid out view of a third embodiment of the anti-heel lift device, the opposite side being a mirror image thereof; and,

FIG. 10 is a perspective view of the embodiment of the anti-heel lift device of FIG. 7.

The broken lines shown in FIGS. 1-6 are for illustrative purposes only and forms no part of the claimed design.

1 Claim, 4 Drawing Sheets



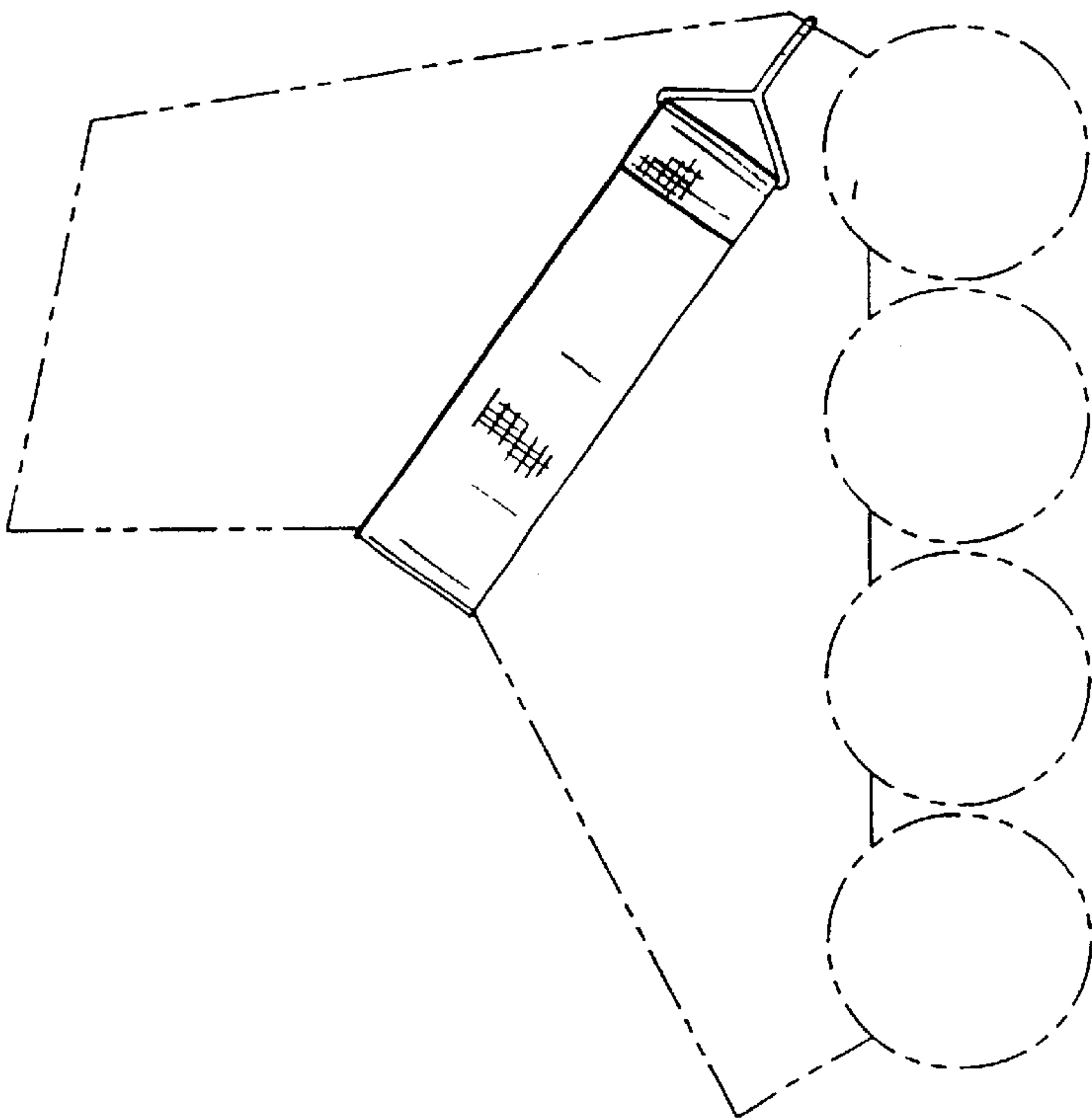


FIG. 1

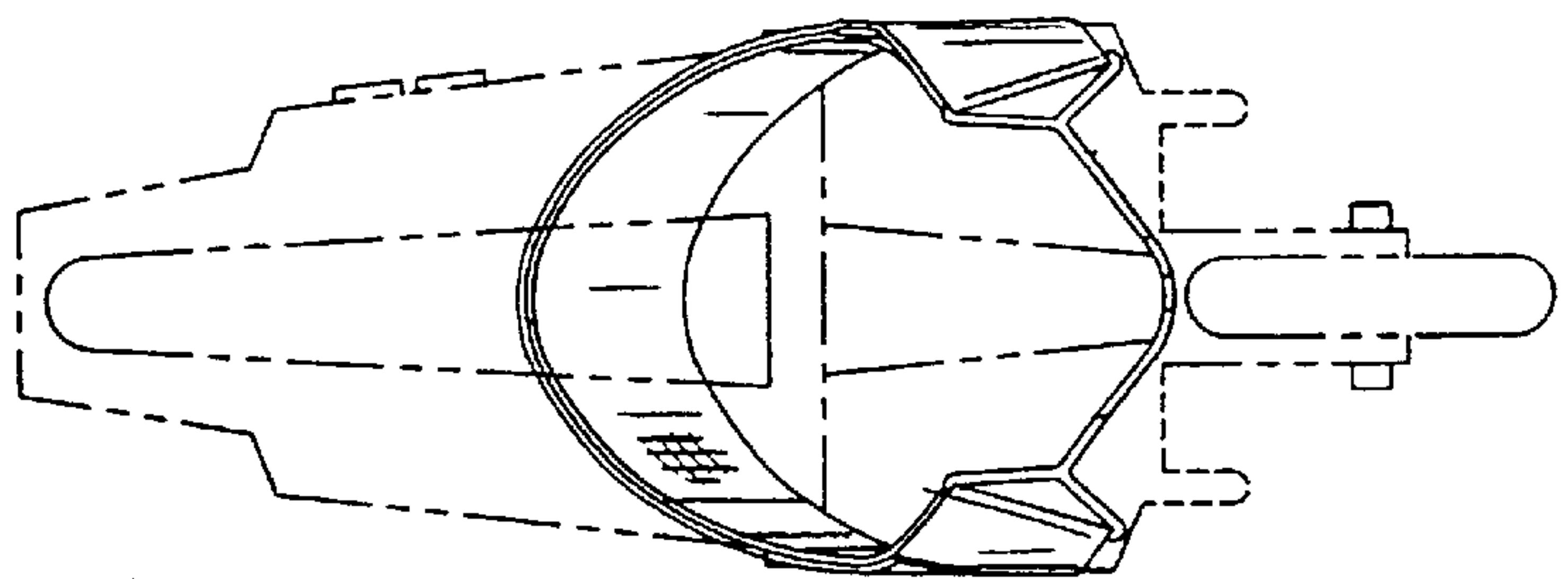
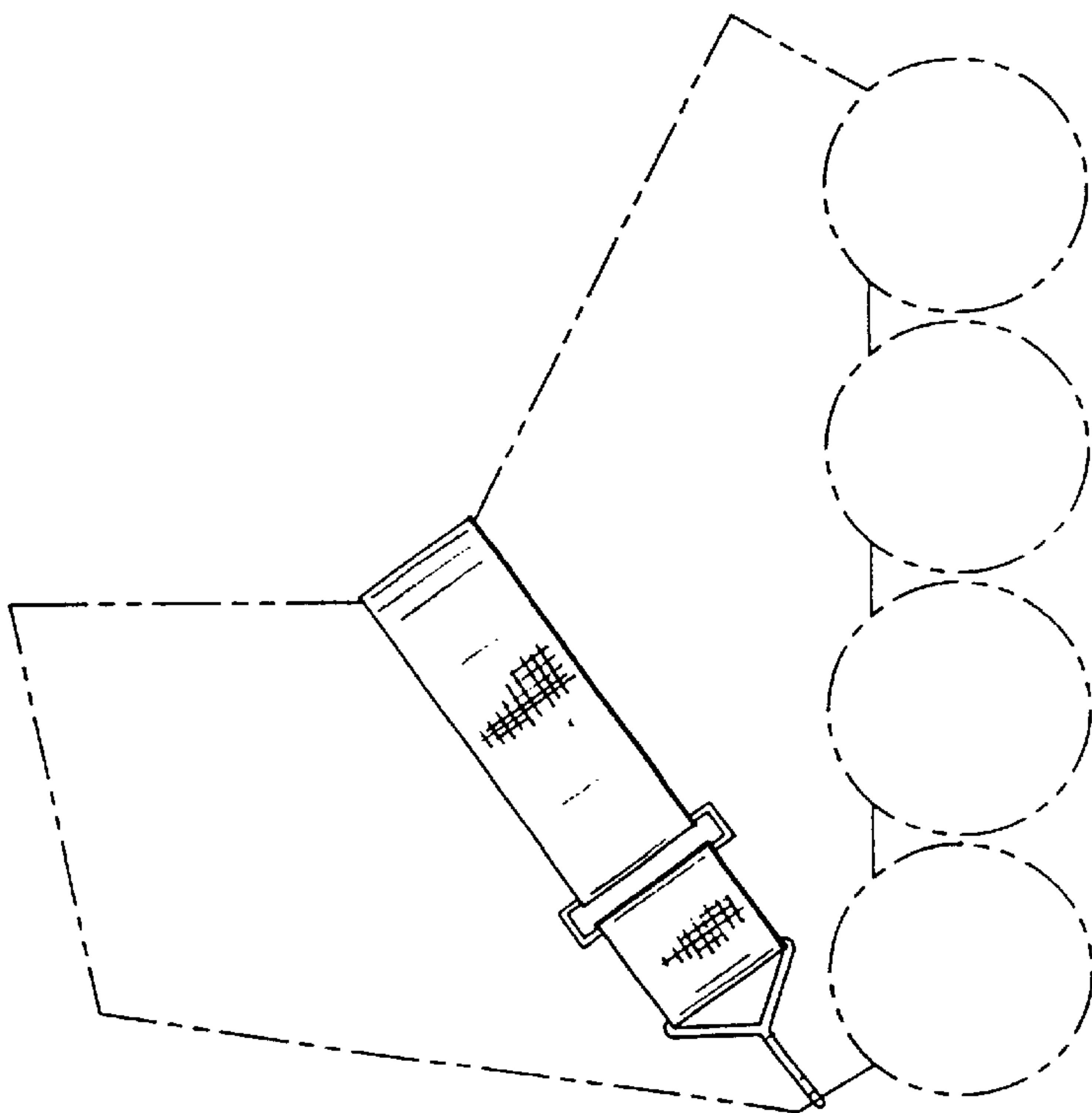


FIG. 2

FIG. 3



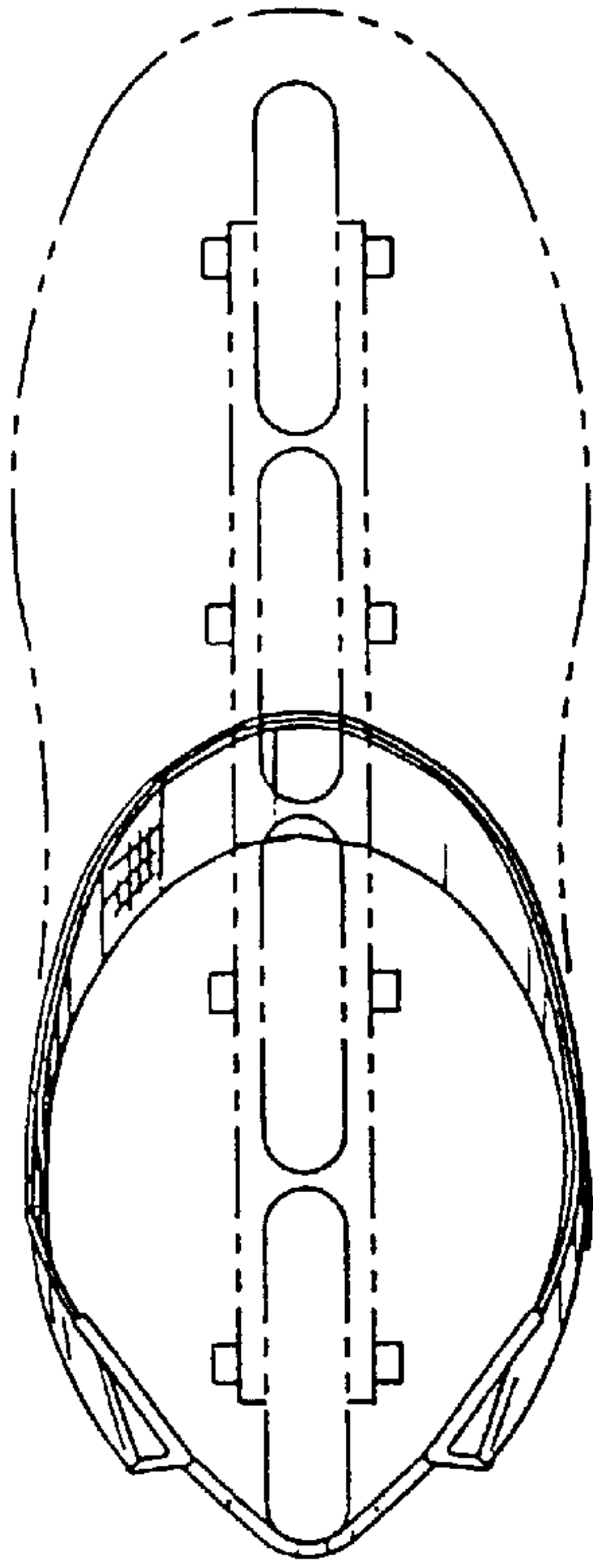


FIG. 6

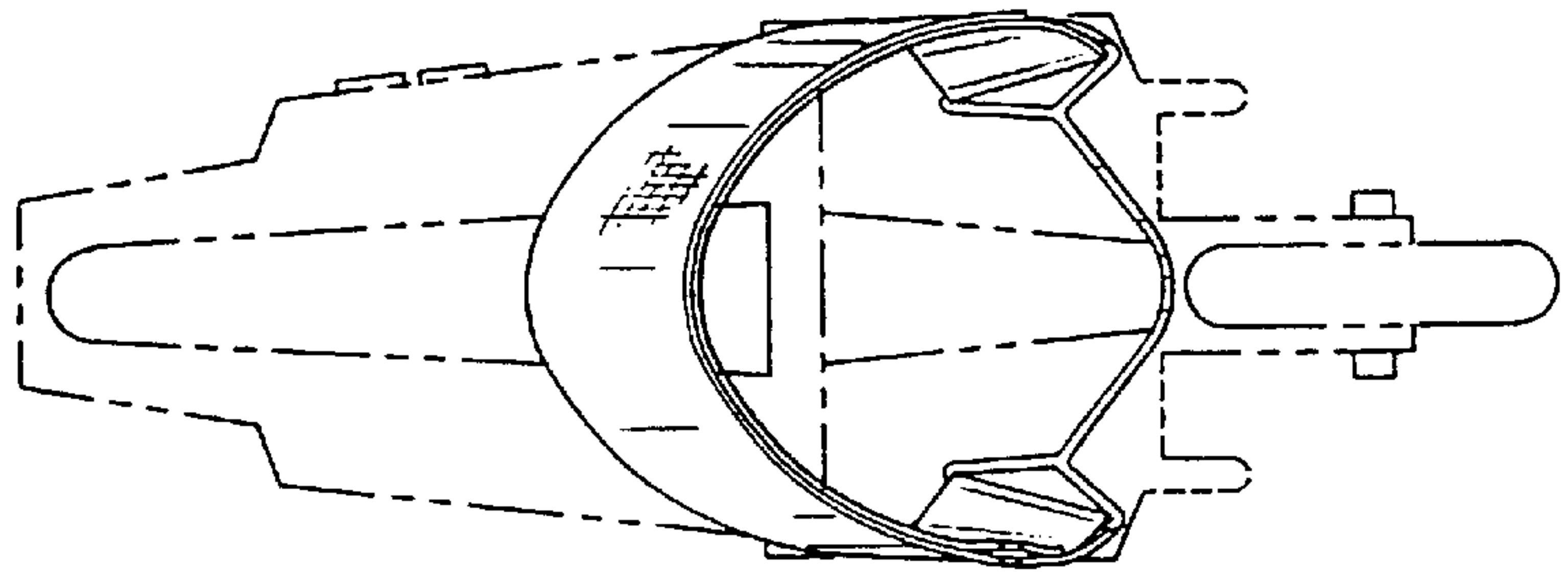


FIG. 5

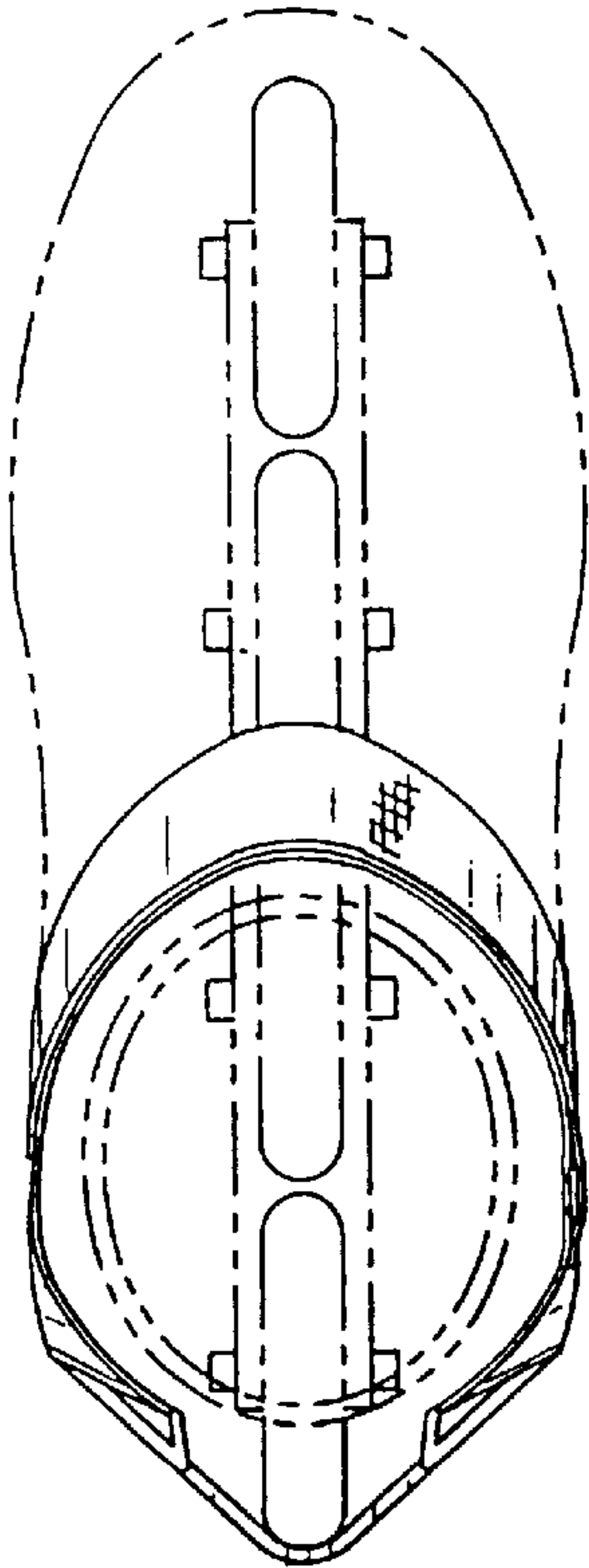


FIG. 4

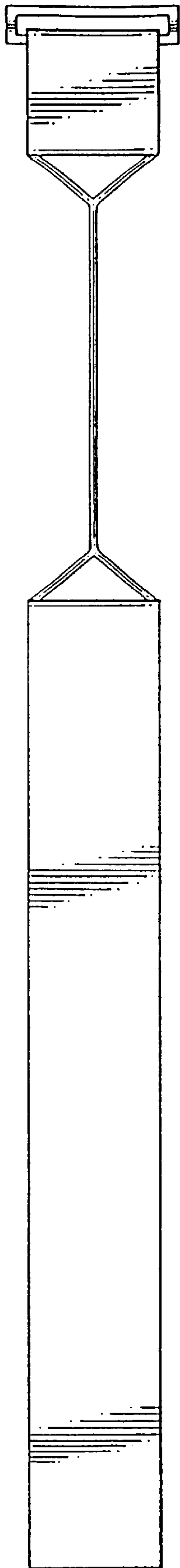


FIG. 7

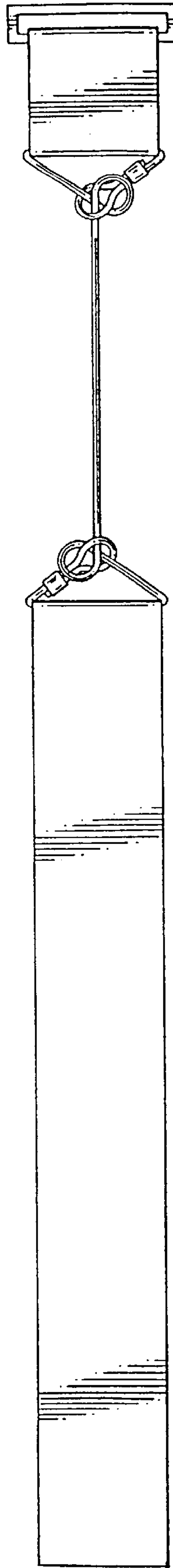


FIG. 8

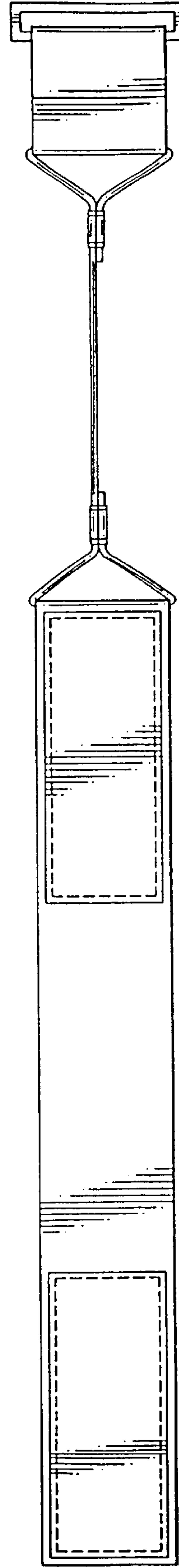


FIG. 9

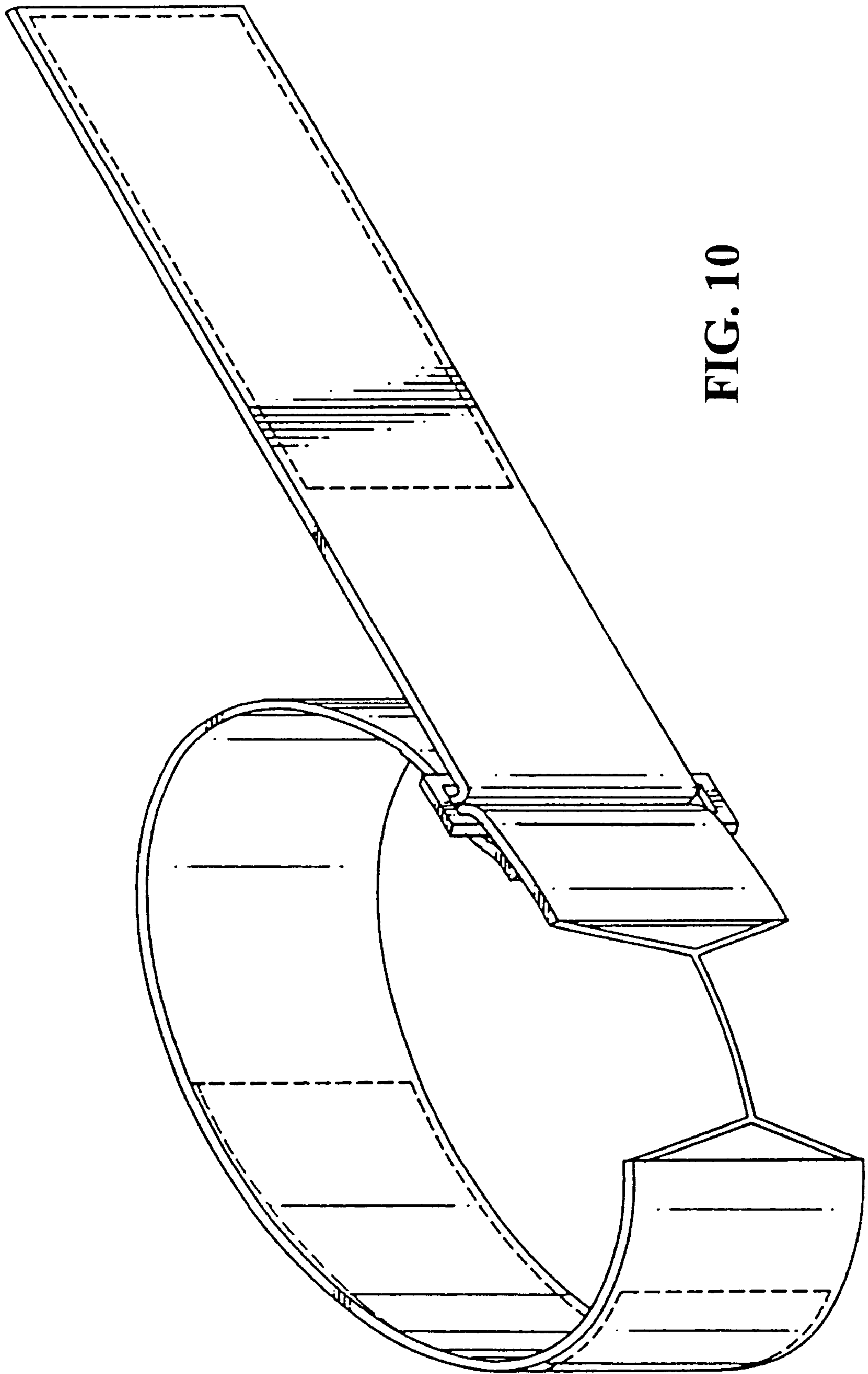


FIG. 10