



US00D456472S

(12) **United States Design Patent**
Yerelian

(10) **Patent No.:** **US D456,472 S**

(45) **Date of Patent:** **** Apr. 30, 2002**

(54) **GOLF PUTTER HEAD**

(76) Inventor: **Minas Yerelian**, 4422 W. Slauson Ave.,
Los Angeles, CA (US) 90043

(**) Term: **14 Years**

(21) Appl. No.: **29/143,179**

(22) Filed: **Jun. 11, 2001**

(51) **LOC (7) Cl.** **21-02**

(52) **U.S. Cl.** **D21/736**

(58) **Field of Search** D21/736-746;
473/324, 327, 328, 340, 341, 251-256

(56) **References Cited**

U.S. PATENT DOCUMENTS

D359,330 S	*	6/1995	Channell	D21/741
D399,274 S	*	10/1998	Bradford	D21/736
D421,471 S	*	3/2000	Moldovan	D21/744
D436,638 S	*	1/2001	Carrier	D21/744

* cited by examiner

Primary Examiner—Mitchell Siegel

(74) *Attorney, Agent, or Firm*—Goldstein Law Offices, P.C.

(57) **CLAIM**

The ornamental design for a golf putter head, as shown and described.

DESCRIPTION

FIG. 1 is a perspective view of a golf putter head in full lines with a golf putter shaft shown in broken lines representing environmental association matter being for illustrative purposes only and forming no part of the claimed invention.

FIG. 2 is a top plan view thereof.

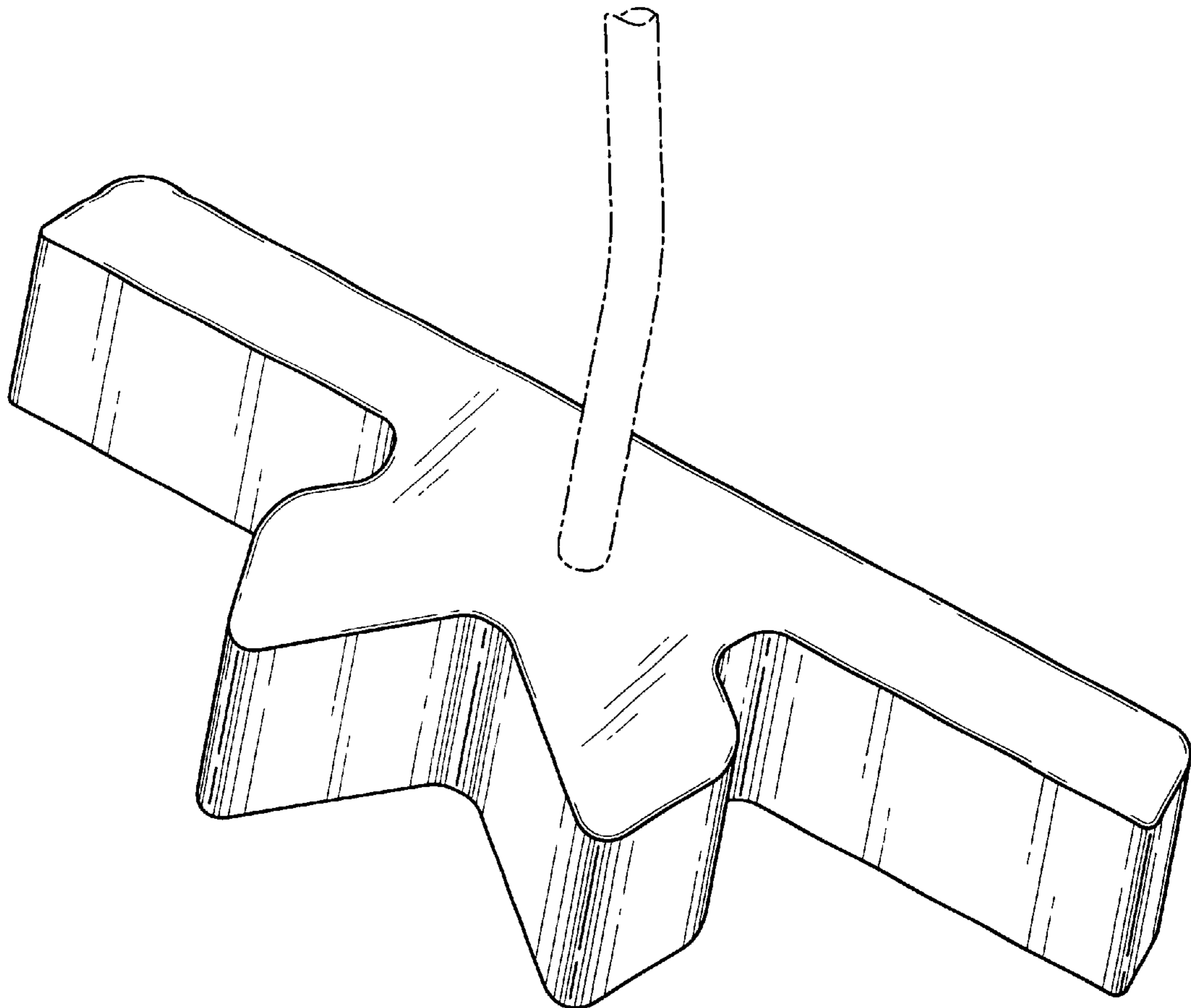
FIG. 3 is a bottom plan view thereof.

FIG. 4 is a front elevational view thereof.

FIG. 5 is a rear elevational view thereof; and,

FIG. 6 is a left side elevational view thereof, the right side elevational view being a mirror image of the left side view.

1 Claim, 2 Drawing Sheets



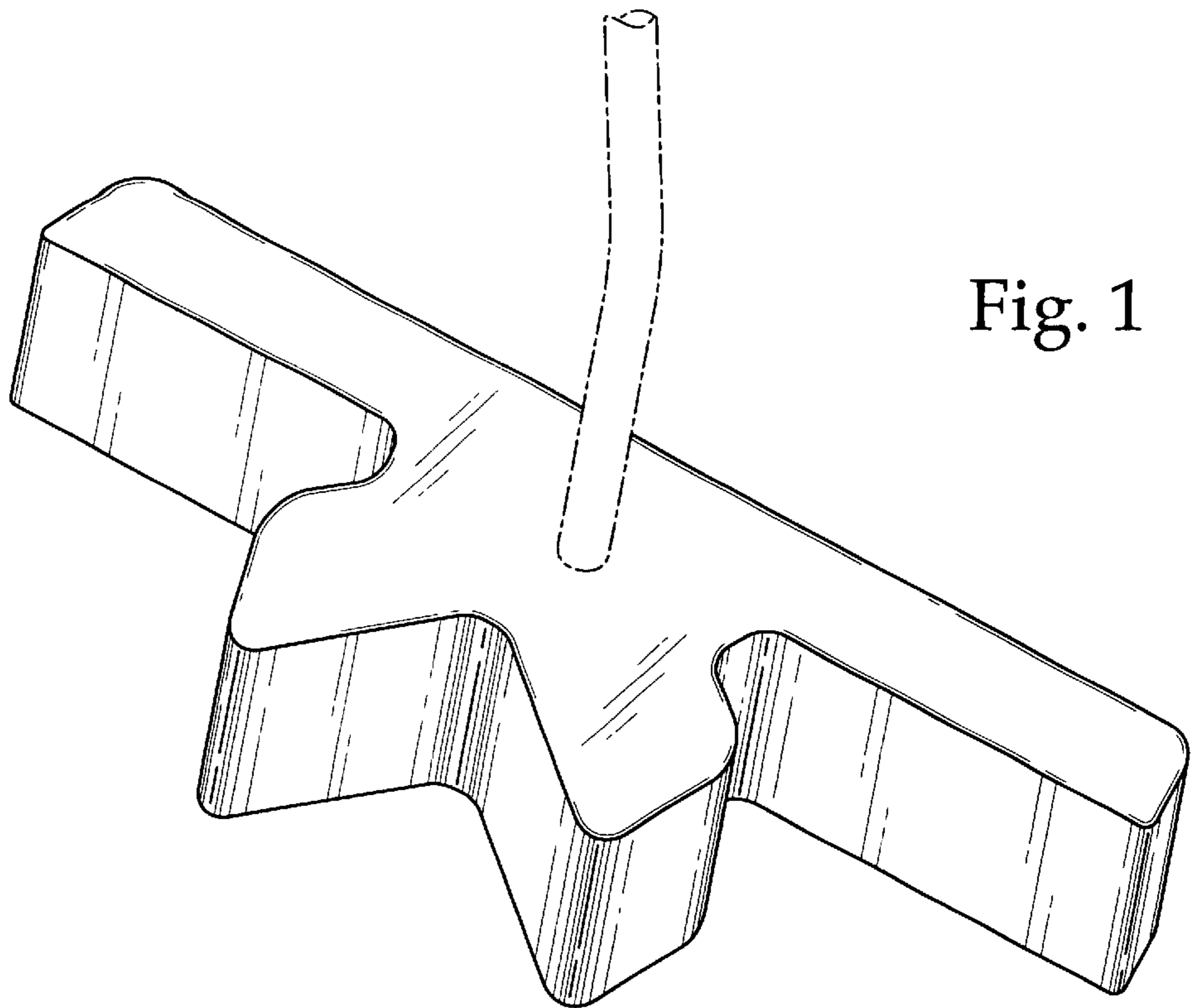


Fig. 1

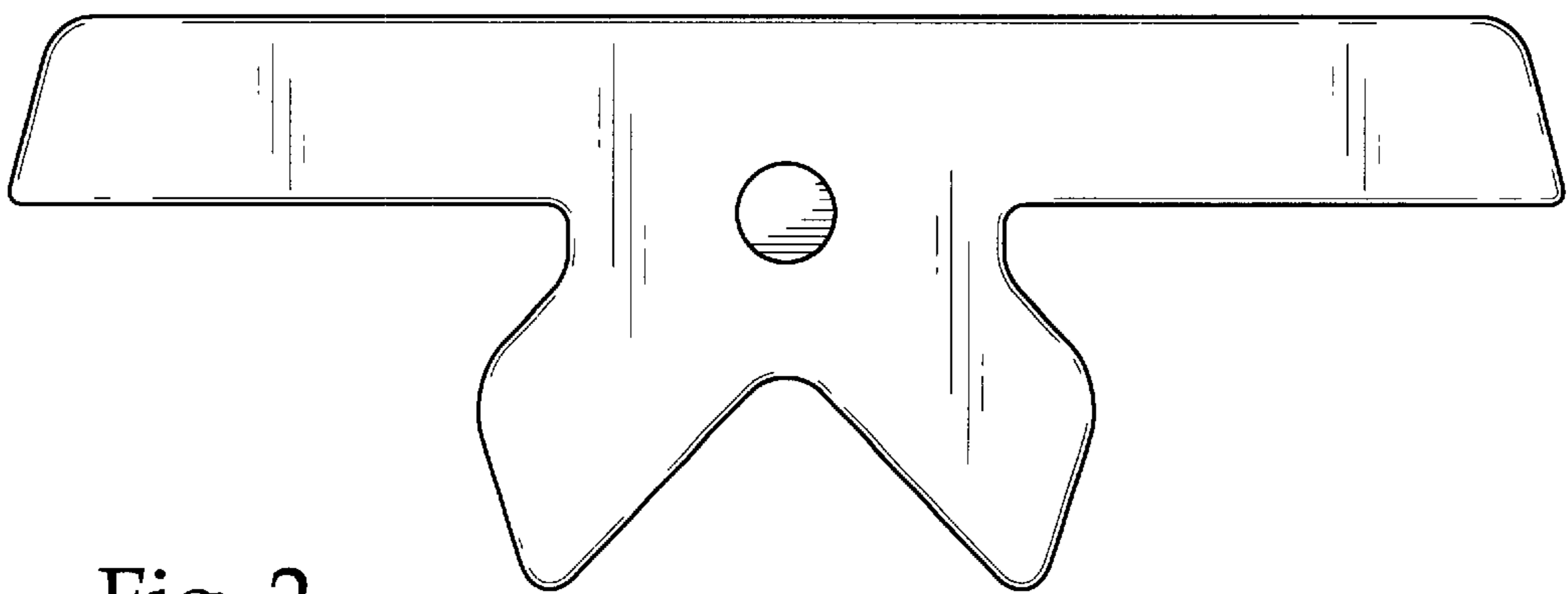


Fig. 2

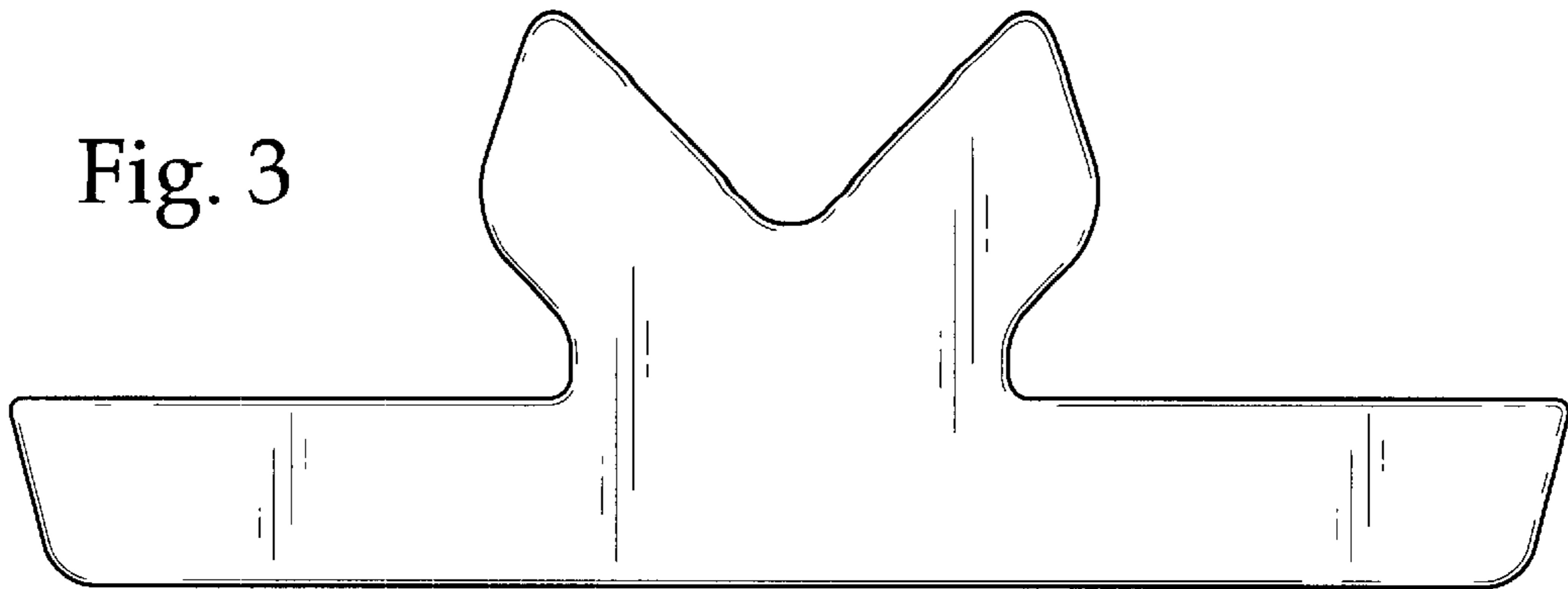


Fig. 4

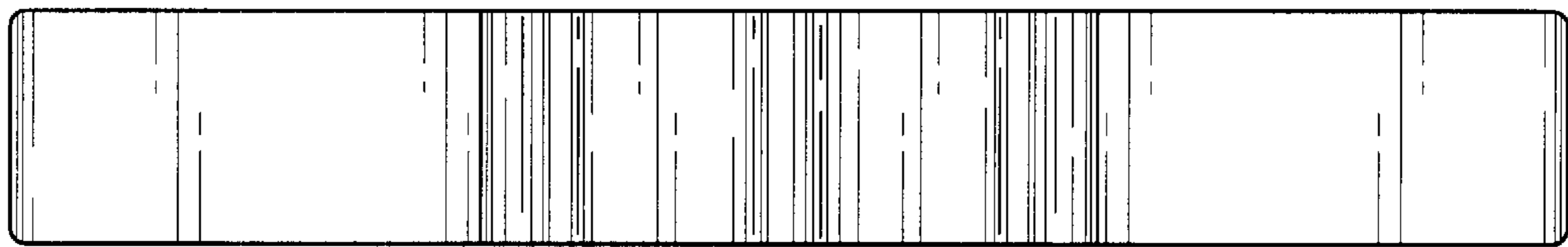


Fig. 5

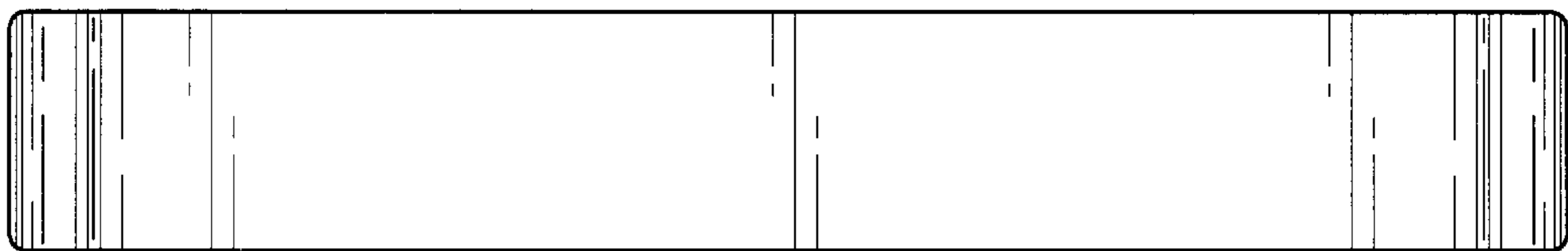


Fig. 6

