



US00D456464S

(12) **United States Design Patent**
Nagasawa

(10) **Patent No.:** **US D456,464 S**

(45) **Date of Patent:** **** Apr. 30, 2002**

(54) **FISH TOY**

D428,079 S * 7/2000 Yamazaki D21/599

(75) Inventor: **Miho Nagasawa**, Tokyo (JP)

OTHER PUBLICATIONS

(73) Assignee: **Tomy Company, Ltd.**, Tokyo (JP)

Go Play Toys Catalog, p. 15, Big Mouth Fish.*

(**) Term: **14 Years**

* cited by examiner

(21) Appl. No.: **29/140,095**

Primary Examiner—Sandra L. Morris

(22) Filed: **Apr. 12, 2001**

(74) *Attorney, Agent, or Firm*—Oliff & Berridge, PLC

(30) **Foreign Application Priority Data**

(57) **CLAIM**

Nov. 29, 2000 (JP) 2000-034063

The ornamental design for a fish toy, as shown and described.

(51) **LOC (7) Cl.** **21-01**

DESCRIPTION

(52) **U.S. Cl.** **D21/599; D21/398**

FIG. 1 is a perspective view of a fish toy showing my new design;

(58) **Field of Search** D11/158; D21/576-620,
D21/650-661; 446/97, 98, 368, 369

FIG. 2 is a front view thereof;

FIG. 3 is a rear view thereof;

FIG. 4 is a top view thereof;

FIG. 5 is a bottom view thereof;

FIG. 6 is a left-side view thereof; and,

FIG. 7 is a right-side view thereof.

(56) **References Cited**

U.S. PATENT DOCUMENTS

D253,784 S * 12/1979 Saitoh D21/590

D347,393 S * 5/1994 Young D21/597

D350,577 S * 9/1994 Giudice D21/599

1 Claim, 3 Drawing Sheets

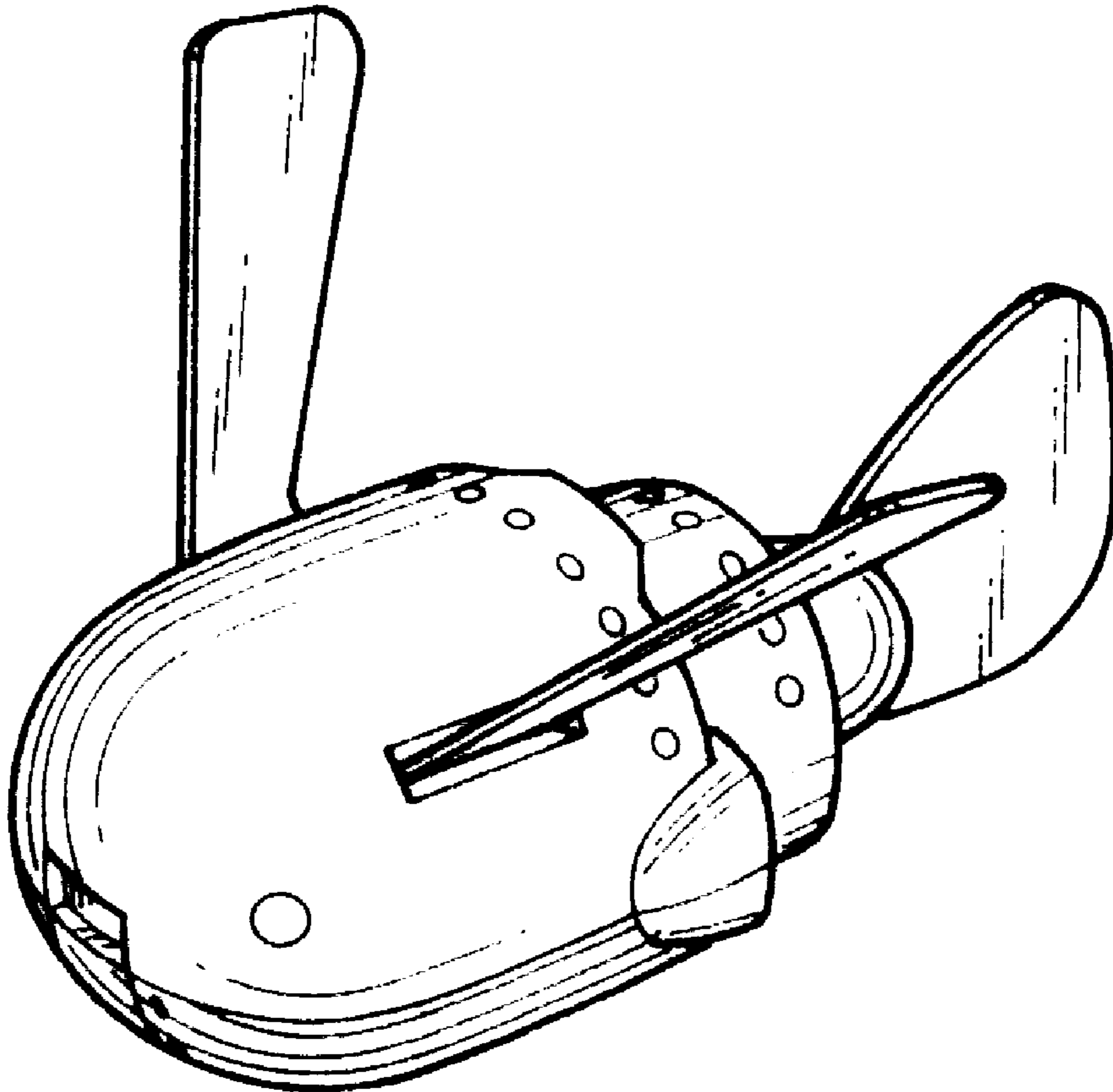


FIG. 1

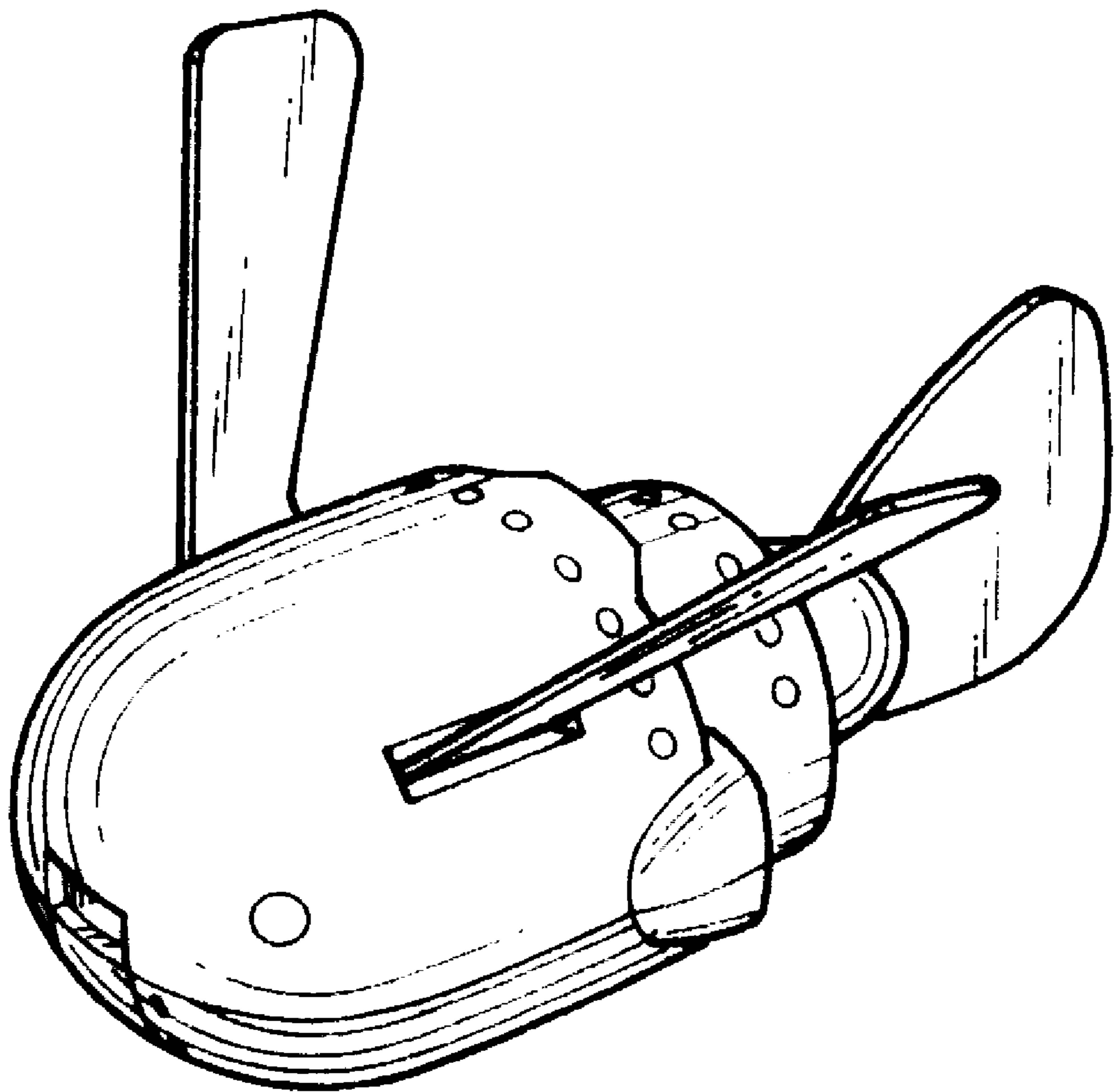


FIG. 2

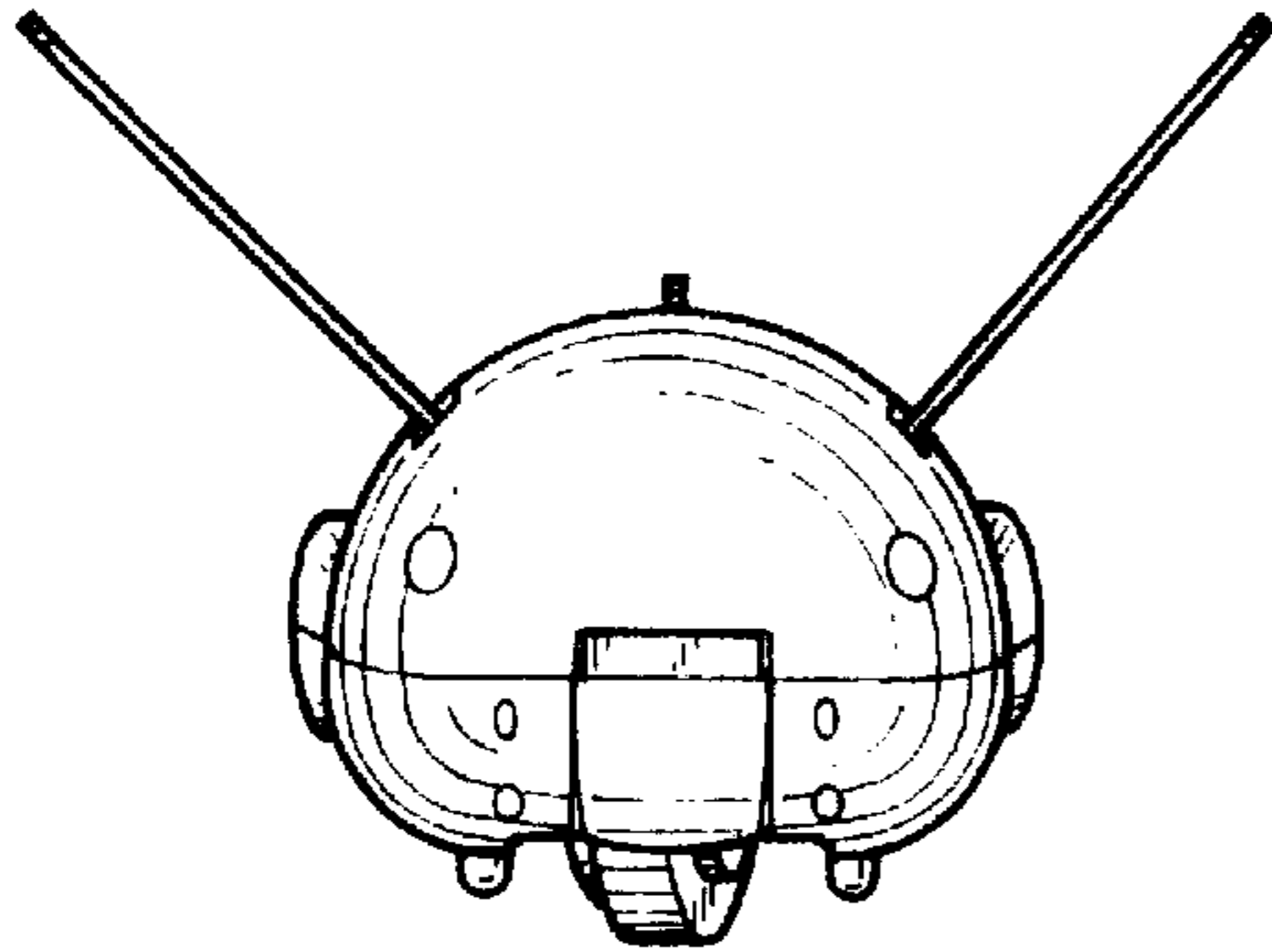


FIG. 3

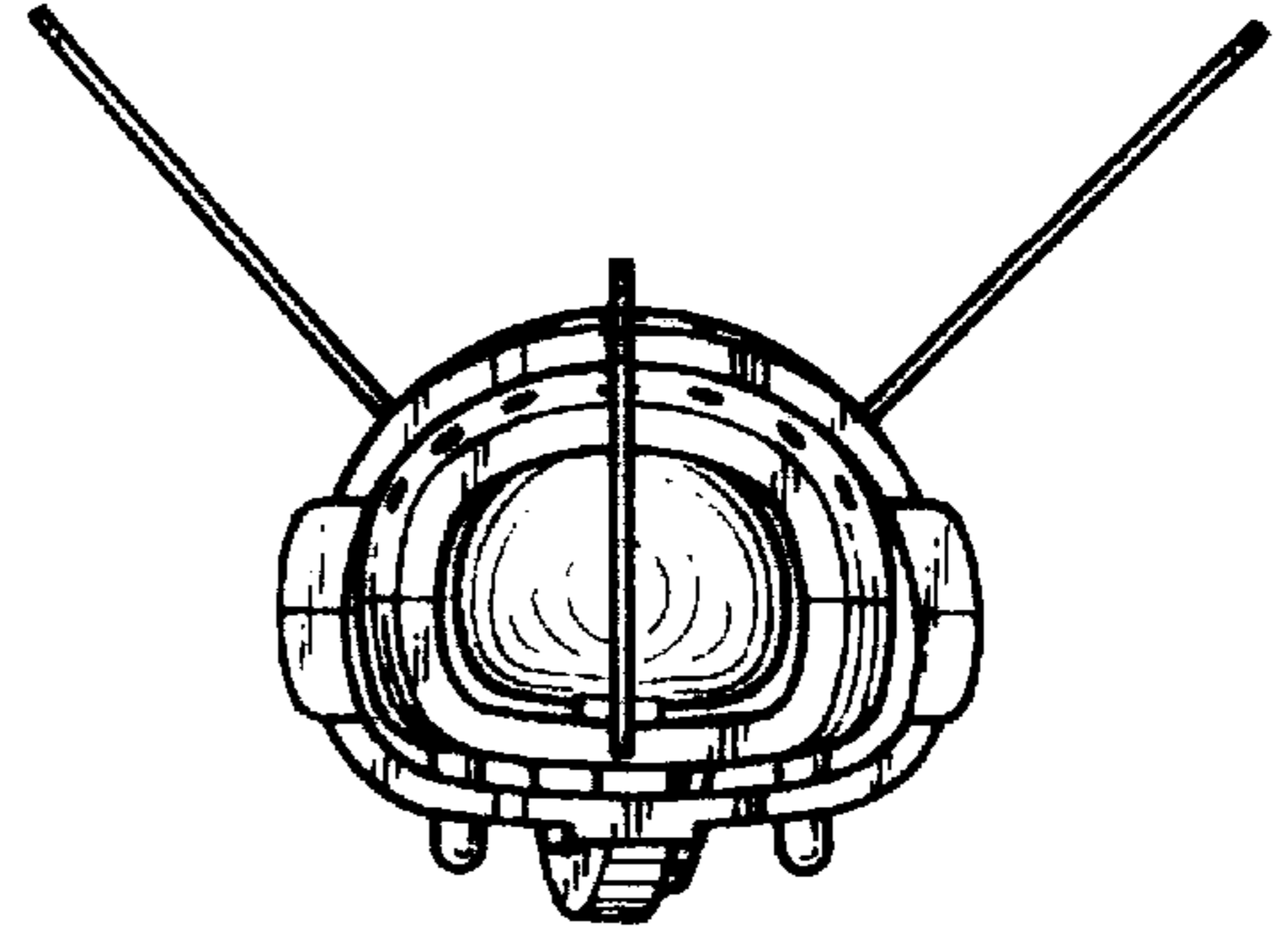


FIG. 4

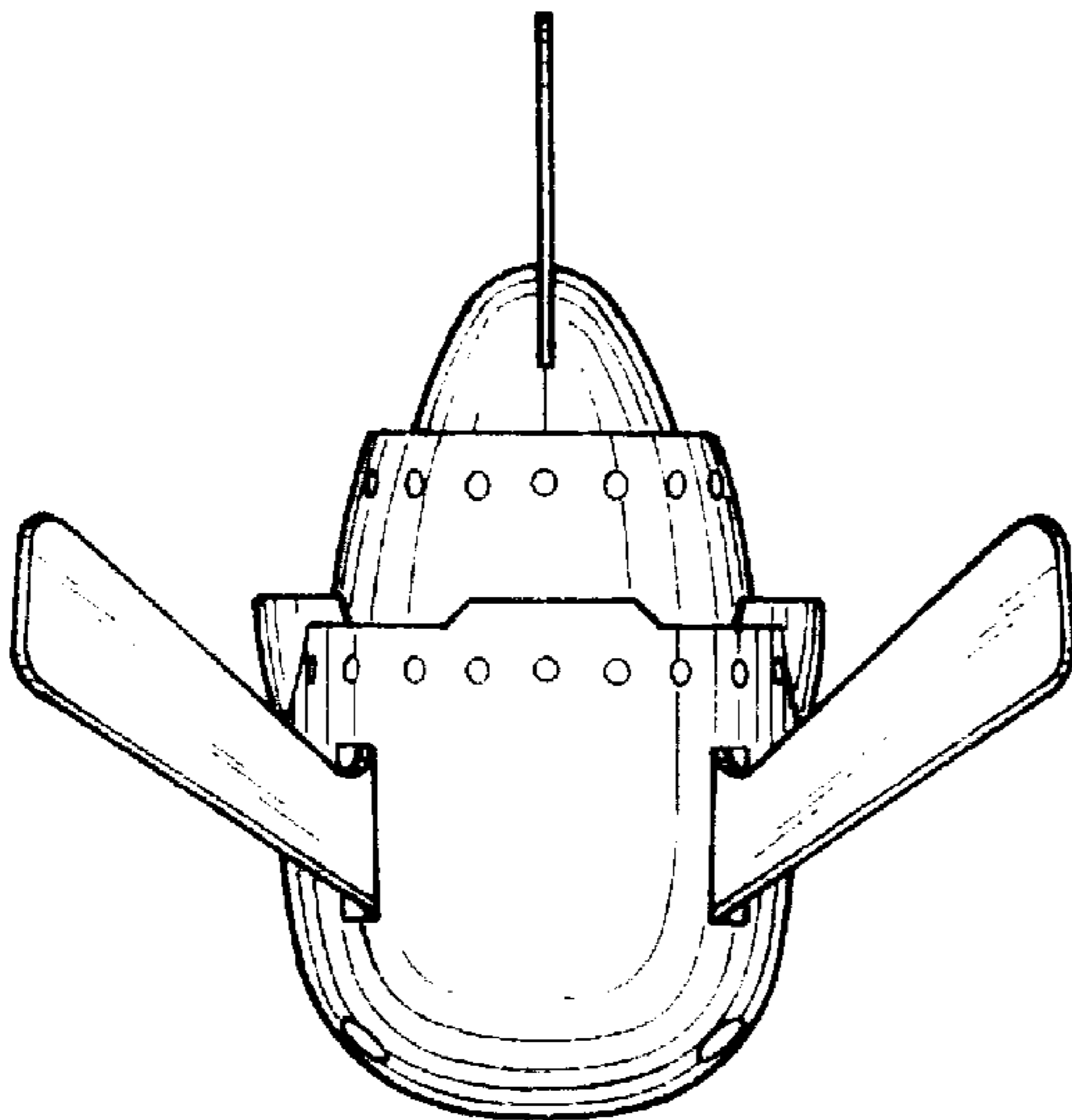


FIG. 5

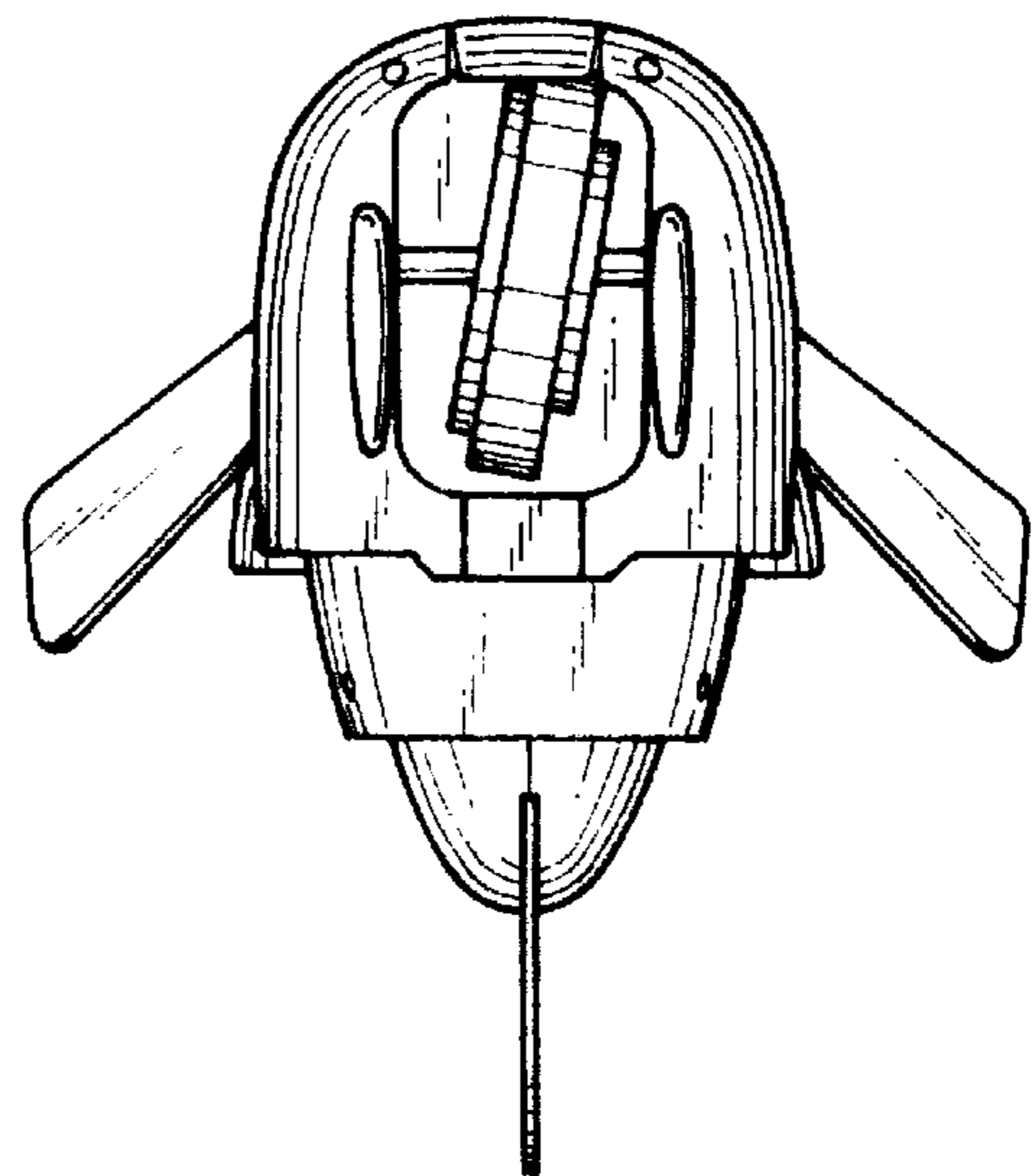


FIG. 6

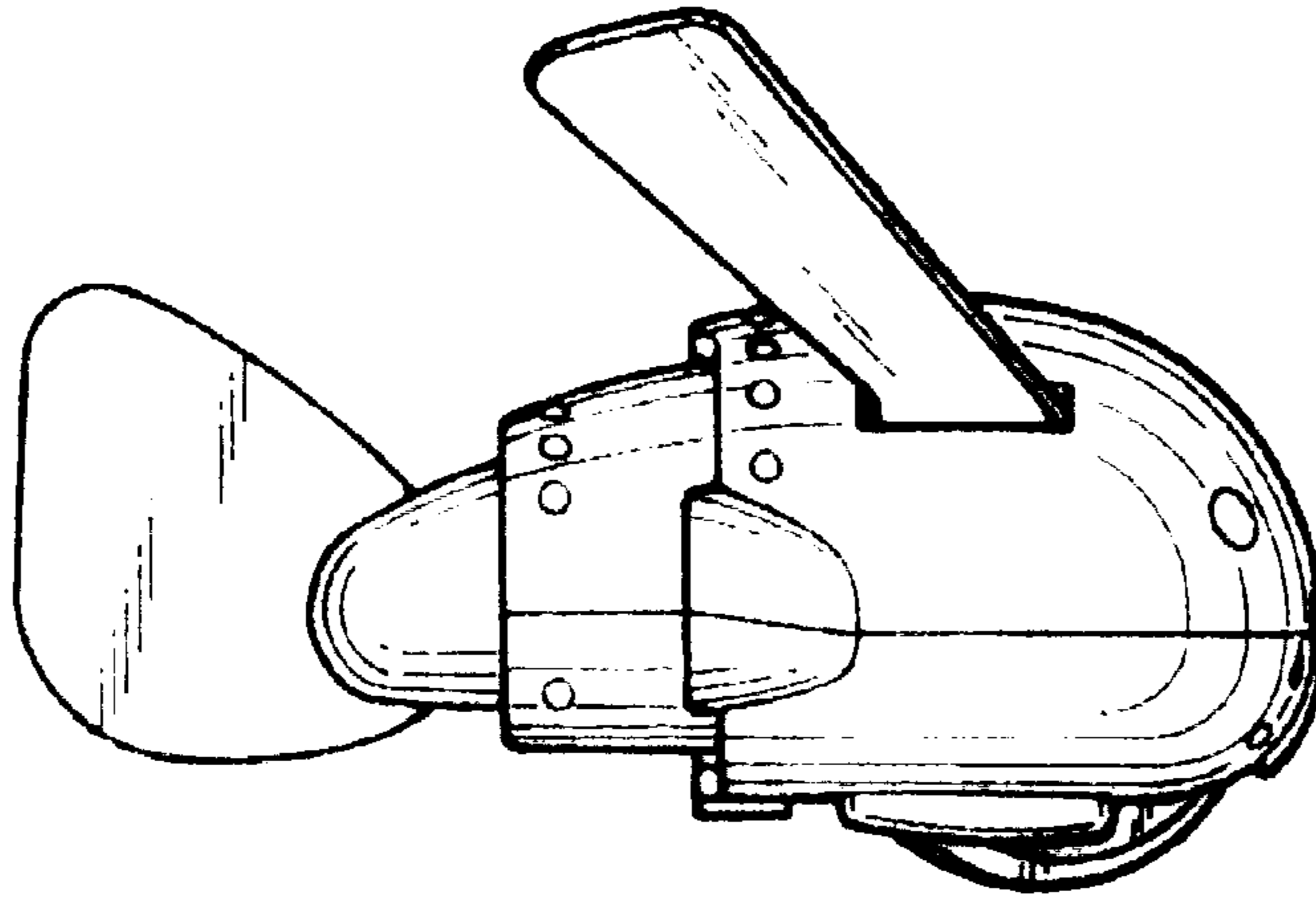


FIG. 7

