



US00D456463S

(12) **United States Design Patent**  
**Sorensen**

(10) **Patent No.:** **US D456,463 S**

(45) **Date of Patent:** **\*\* Apr. 30, 2002**

(54) **TOY BUILDING ELEMENT**

(76) **Inventor:** **Soren Christian Sorensen**, P O Box  
256 North Side, Grand Cayman (KY)

(\*\*) **Term:** **14 Years**

(21) **Appl. No.:** **29/145,911**

(22) **Filed:** **Jul. 30, 2001**

**Related U.S. Application Data**

(63) Continuation-in-part of application No. 09/889,621, filed as application No. PCT/EP00/00760 on Feb. 1, 2000, which is a continuation-in-part of application No. 09/246,317, filed on Feb. 8, 1999, now Pat. No. 6,250,986.

(51) **LOC (7) Cl.** ..... **21-01**

(52) **U.S. Cl.** ..... **D21/500; D21/499**

(58) **Field of Search** ..... **D21/484-505;**  
**446/85, 108-117, 120-122, 124, 125, 128;**  
**52/604, 598**

(56) **References Cited**

**U.S. PATENT DOCUMENTS**

2,132,757	A	10/1938	Paulson	
2,472,363	A	6/1949	Blackinton	
3,877,170	A	* 4/1975	Baker	446/124
D238,168	S	12/1975	Ketcham	
D249,230	S	* 9/1978	Van Der Veken	D21/500
D249,232	S	* 9/1978	Van Der Veken	D21/500
5,049,105	A	* 9/1991	Glickman	446/126
5,267,863	A	12/1993	Simmons, Jr.	
D344,300	S	2/1994	Knudsen	
D354,319	S	* 1/1995	Wilson	D21/503
5,471,808	A	* 12/1995	De Pieri	446/128
5,493,816	A	* 2/1996	Willemsen	52/604
D368,939	S	4/1996	Frederiksen	
D370,503	S	* 6/1996	Burns	D21/500

5,653,621	A	8/1997	Yao	
5,848,927	A	* 12/1998	Frederiksen	446/128
D403,721	S	* 1/1999	Bean	D21/499
D430,231	S	* 8/2000	Sorensen	D21/500
D435,609	S	* 12/2000	Sorensen	D21/499
D437,895	S	* 2/2001	Sorensen	D21/504
6,250,986	B1	6/2001	Sorensen	

**FOREIGN PATENT DOCUMENTS**

FR	00 0600	5/2000
WO	WO 93/04749	3/1993
WO	WO 00/47302	8/2000

**OTHER PUBLICATIONS**

Kuti—City Catalog, Feb. 23, 1995.\*

\* cited by examiner

*Primary Examiner*—Raphael Barkai

(74) *Attorney, Agent, or Firm*—Edward W. Callan

(57) **CLAIM**

The ornamental design for a toy building element, as shown and described.

**DESCRIPTION**

It is intended that the toy building element of the present invention be used in a set of toy building elements that are capable of being interconnected in a releasable engagement. FIG. 1 is a top perspective view of the toy building element. FIG. 2 is a top view of the toy building element shown in FIG. 1; and, FIG. 3 is a side view of the toy building element shown in FIG. 1. All sides are identical. The bottom view of the toy building element shown in FIG. 1 does not form part of the claimed design.

**1 Claim, 1 Drawing Sheet**

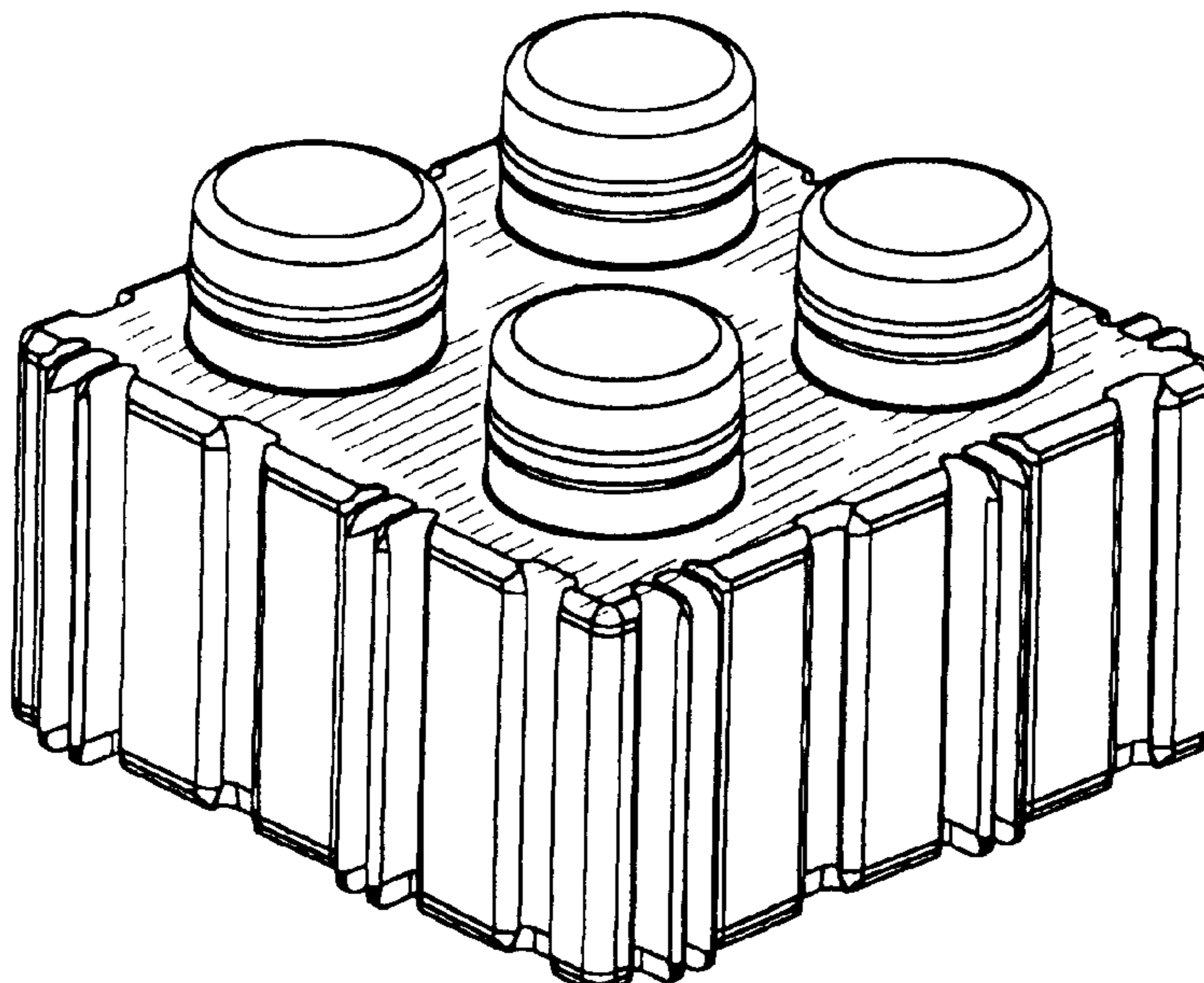


FIG. 1

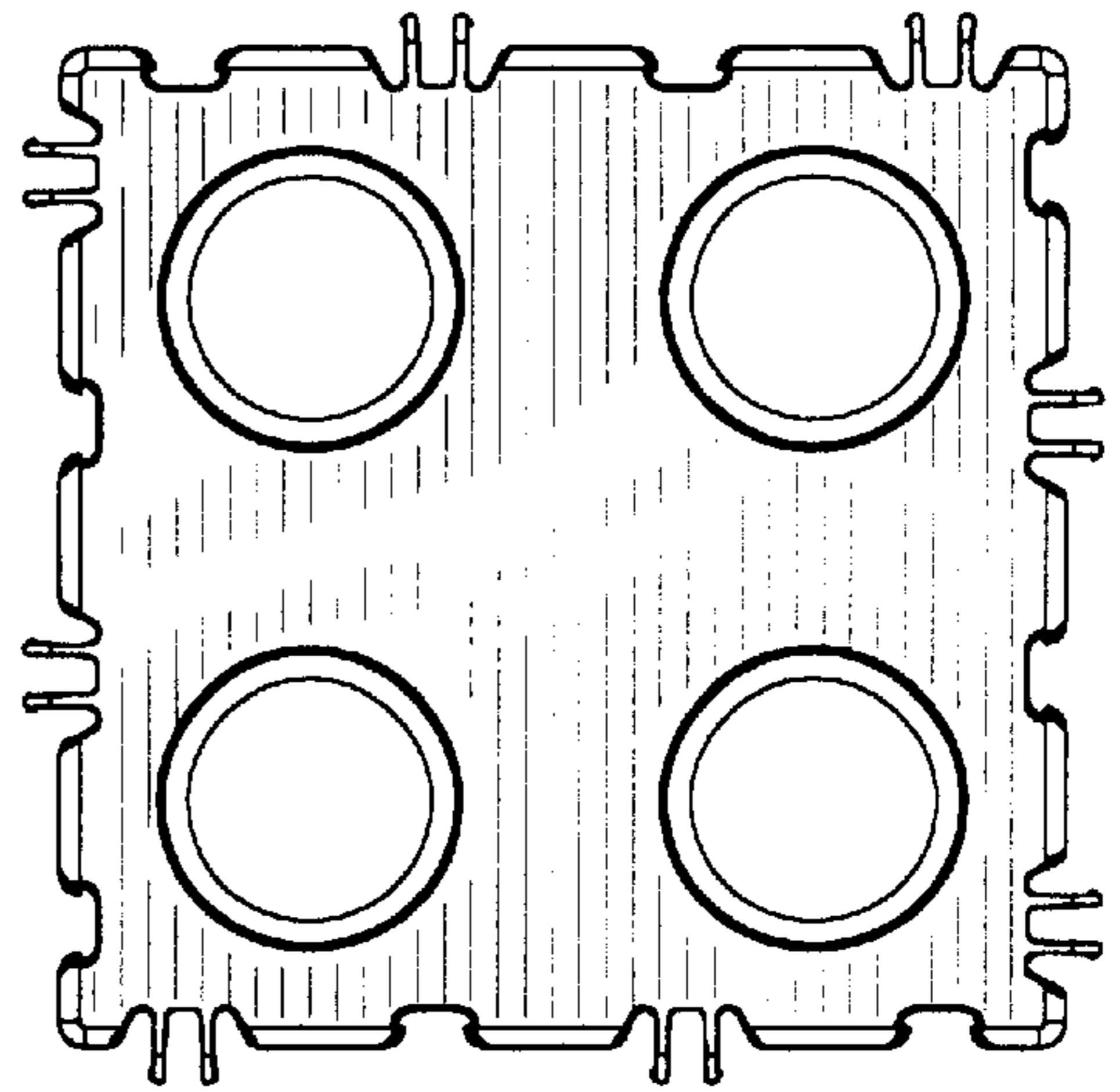
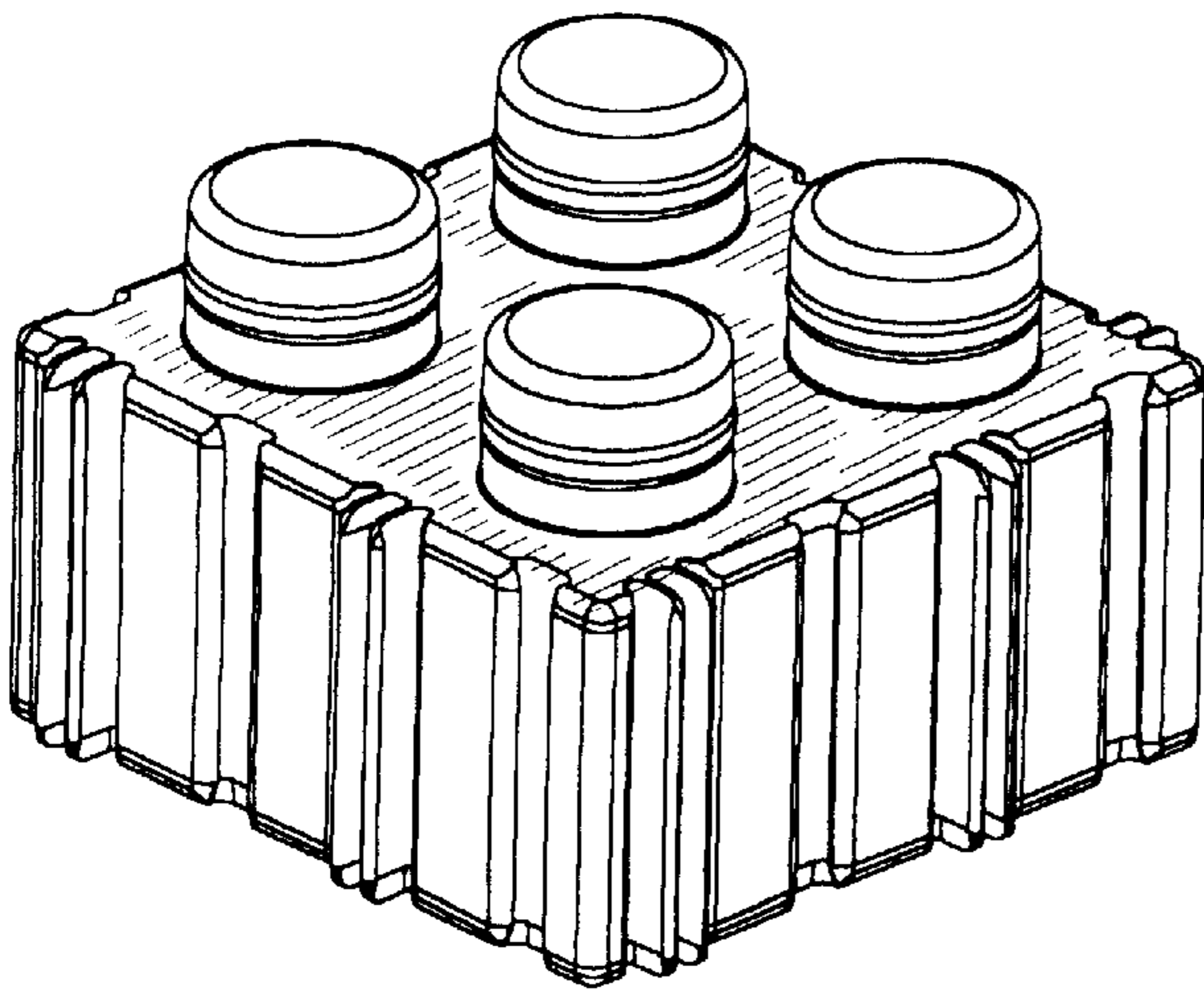


FIG. 2

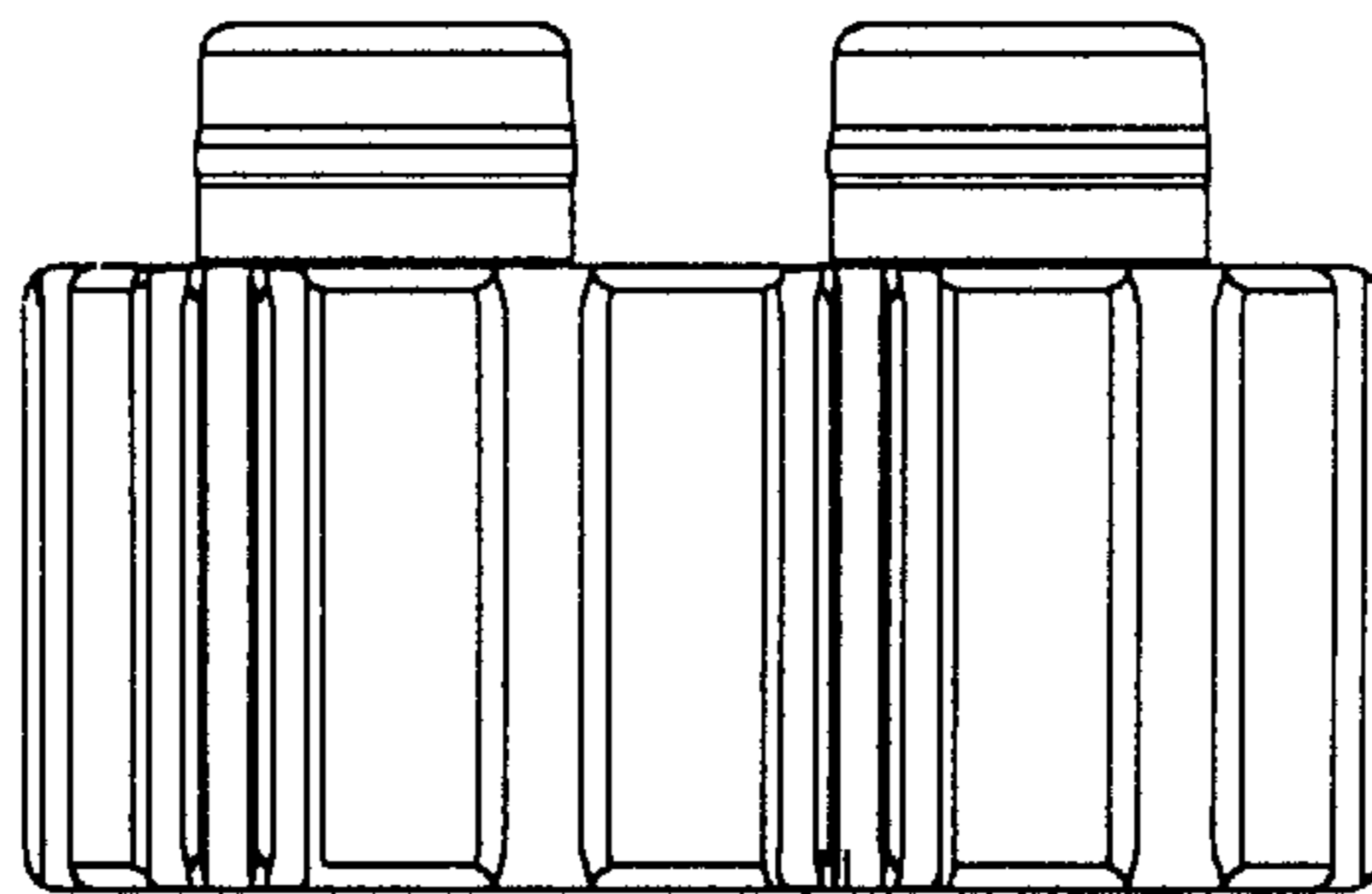


FIG. 3