



US00D456462S

(12) **United States Design Patent**
Sorensen

(10) **Patent No.:** **US D456,462 S**

(45) **Date of Patent:** **** Apr. 30, 2002**

(54) **TOY BUILDING ELEMENT**

(76) **Inventor:** **Soren Christian Sorensen, P.O. Box**
256 North Side, Grand Cayman (KY)

(**) **Term:** **14 Years**

5,848,927 A	*	12/1998	Frederiksen	446/128
D403,721 S	*	1/1999	Bean	D21/499
D430,231 S	*	8/2000	Sorensen	D21/500
D435,609 S	*	12/2000	Sorensen	D21/499
D437,895 S	*	2/2001	Sorensen	D21/504
6,250,986 B1		6/2001	Sorensen	

(21) **Appl. No.:** **29/145,910**

(22) **Filed:** **Jul. 30, 2001**

Related U.S. Application Data

(62) Division of application No. 09/889,621, filed as application No. PCT/EP00/00760 on Feb. 1, 2000.

(51) **LOC (7) Cl.** **21-01**

(52) **U.S. Cl.** **D21/488**

(58) **Field of Search** D21/484-505;
446/85, 108-117, 120-122, 124, 125, 128;
52/604, 598

(56) **References Cited**

U.S. PATENT DOCUMENTS

2,132,757 A	10/1938	Paulson	
2,472,363 A	6/1949	Blackinton	
3,877,170 A	* 4/1975	Baker	446/124
D238,168 S	12/1975	Ketcham	
D249,230 S	* 9/1978	Van der Veken	D21/500
D249,232 S	* 9/1978	Van der Veken	D21/500
5,049,105 A	* 9/1991	Glickman	446/126
5,267,863 A	12/1993	Simmons, Jr.	
D344,300 S	2/1994	Knudsen	
D354,319 S	* 1/1995	Wilson	D21/503
5,471,808 A	* 12/1995	De Pieri	446/128
5,493,816 A	* 2/1996	Willemsen	52/604
D368,939 S	4/1996	Frederiksen	
5,653,621 A	8/1997	Yao	

FOREIGN PATENT DOCUMENTS

FR	00 0600	5/2000
WO	WO 93/04749	3/1993
WO	WO 00/47302	8/2000

OTHER PUBLICATIONS

Kuti-City Catalog, Feb. 23, 1995.*

* cited by examiner

Primary Examiner—Raphael Barkai

(74) *Attorney, Agent, or Firm*—Edward W. Callan

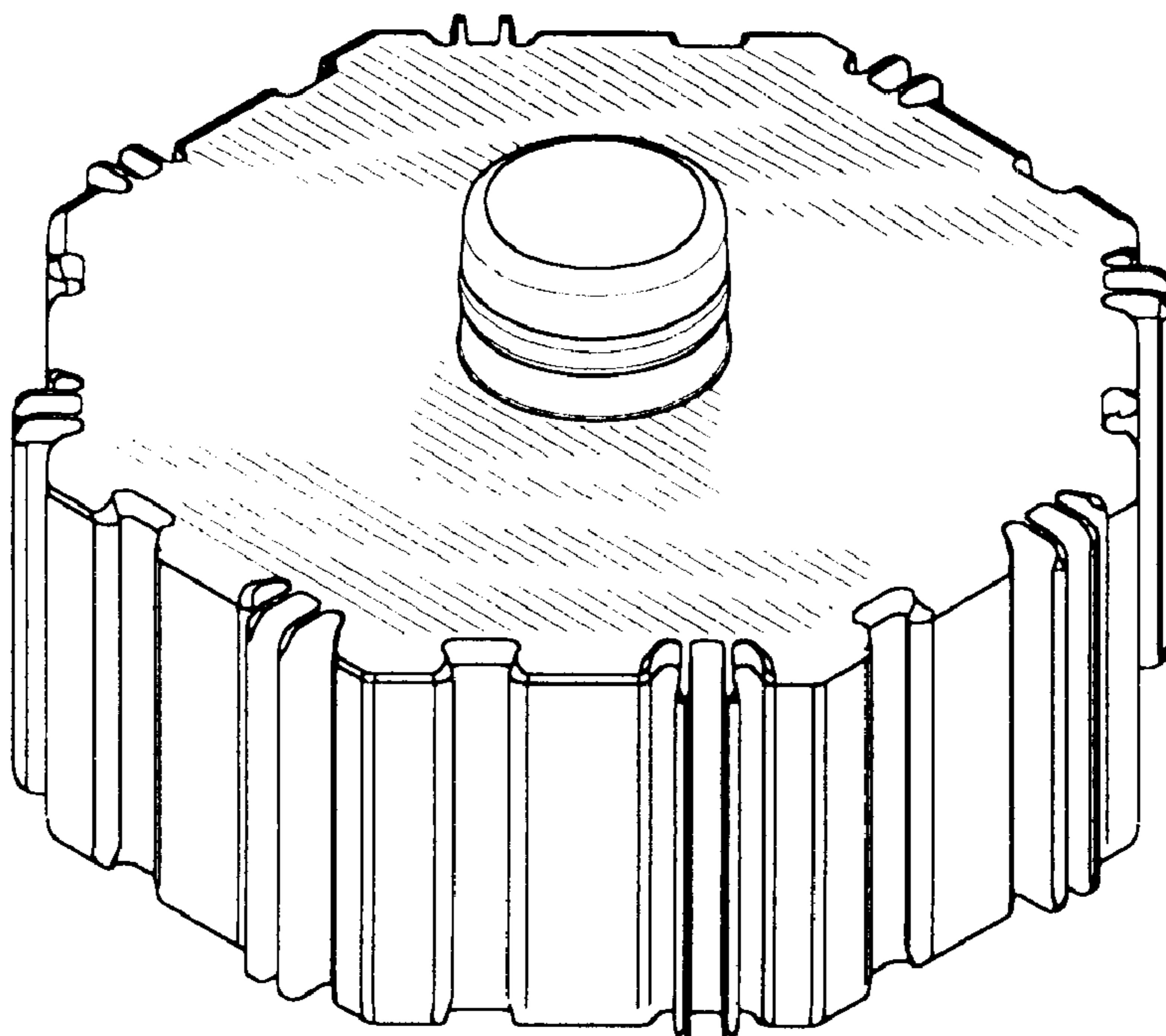
(57) **CLAIM**

The ornamental design for a toy building element, as shown and described.

DESCRIPTION

It is intended that the toy building element of the present invention be used in a set of toy building elements that are capable of being interconnected in a releasable engagement. FIG. 1 is a top perspective view of the toy building element. FIG. 2 is a top view of the toy building element shown in FIG. 1. FIG. 3 is a side view of the toy building element shown in FIG. 1. All sides are identical. The bottom view of the toy building element shown in FIG. 1 does not form part of the claimed design.

1 Claim, 1 Drawing Sheet



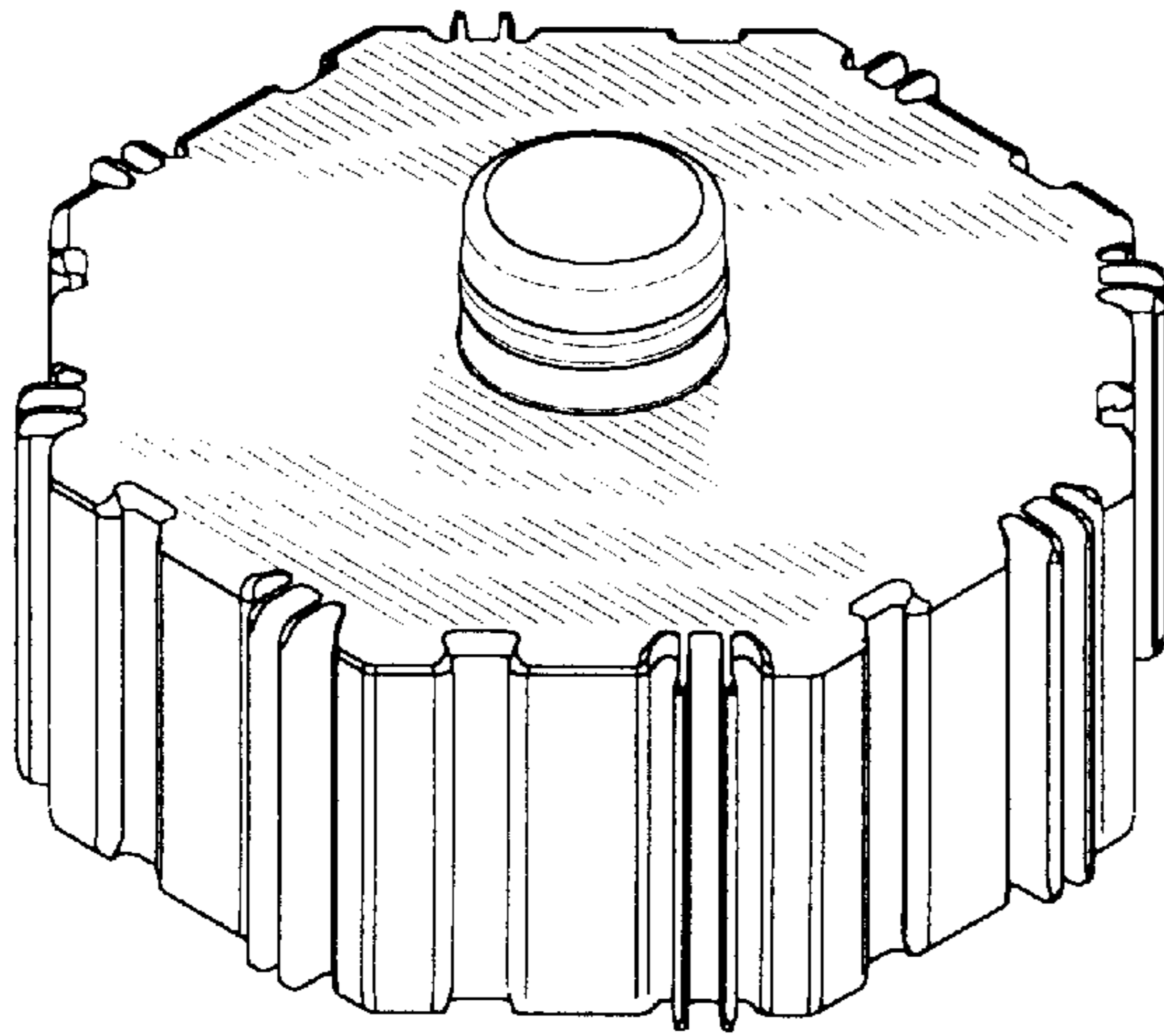


FIG. 1

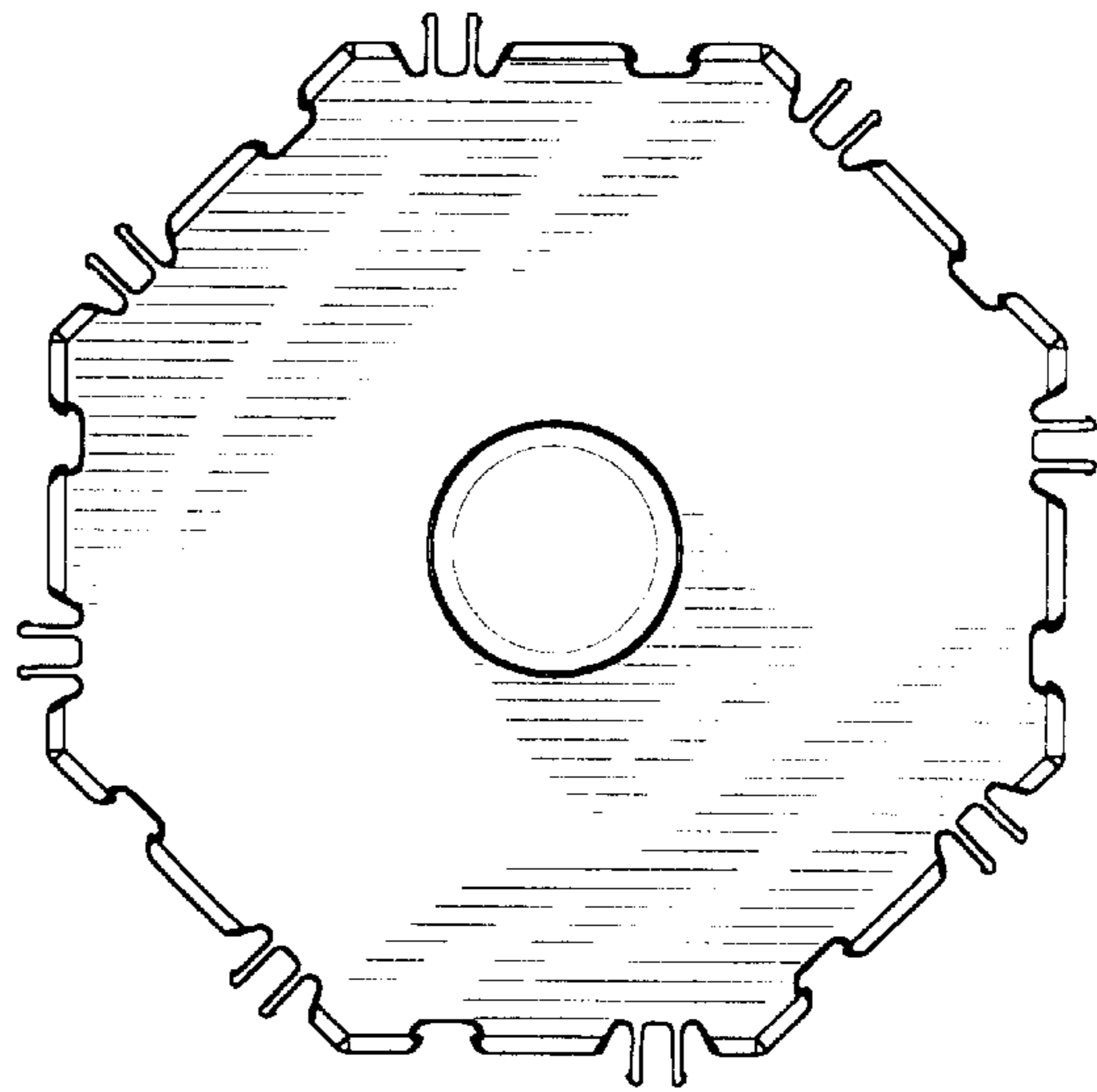


FIG. 2

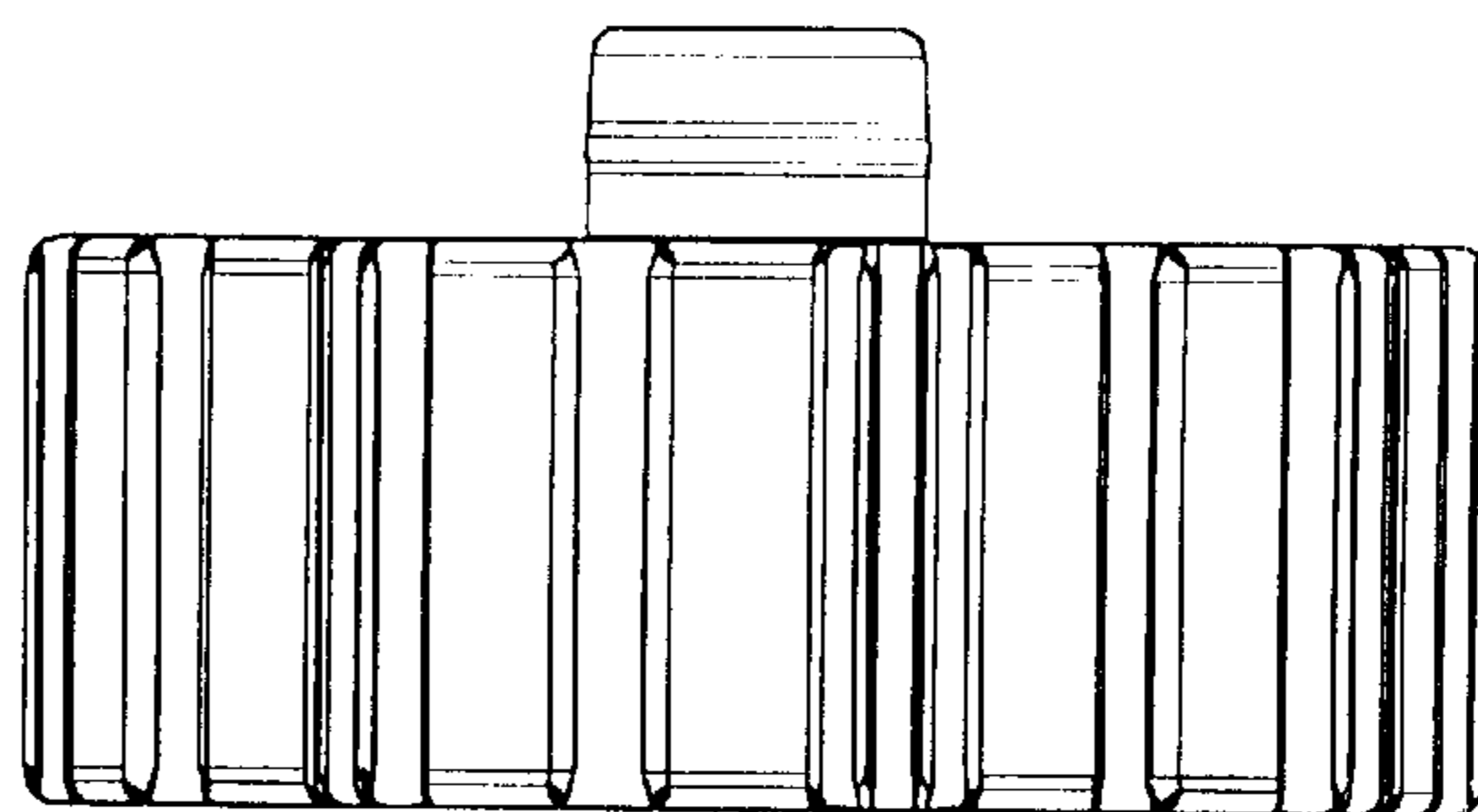


FIG. 3