



US00D456461S

(12) **United States Design Patent**  
**Koch**

(10) **Patent No.:** **US D456,461 S**

(45) **Date of Patent:** **\*\* Apr. 30, 2002**

(54) **MOTORIZED SCOOTER**

(76) **Inventor:** **Jeff Koch**, 1147 Brunswick Way,  
Sacramento, CA (US) 95823

(\*\*) **Term:** **14 Years**

(21) **Appl. No.:** **29/137,457**

(22) **Filed:** **Feb. 20, 2001**

(51) **LOC (7) Cl.** ..... **21-01**

(52) **U.S. Cl.** ..... **D21/423**

(58) **Field of Search** ..... D21/419, 421,  
D21/423, 424, 426, 435, 533, 760, 765,  
771; D12/107, 110-112; 280/87.01, 87.04,  
87.041, 87.042, 87.05; 180/180, 181, 216,  
219

(56) **References Cited**

**U.S. PATENT DOCUMENTS**

4,799,701 A \* 1/1989 Lindau ..... 280/87.041  
4,842,091 A \* 6/1989 Badsey ..... 180/181

D326,290 S \* 5/1992 Badsey ..... D21/423  
5,775,452 A \* 7/1998 Patmont ..... 180/181  
6,120,044 A \* 9/2000 Tsai ..... 280/87.05  
D433,718 S \* 11/2000 McGreen ..... D21/423

\* cited by examiner

*Primary Examiner*—Raphael Barkai

(74) *Attorney, Agent, or Firm*—Theodore J. Bielen, Jr.

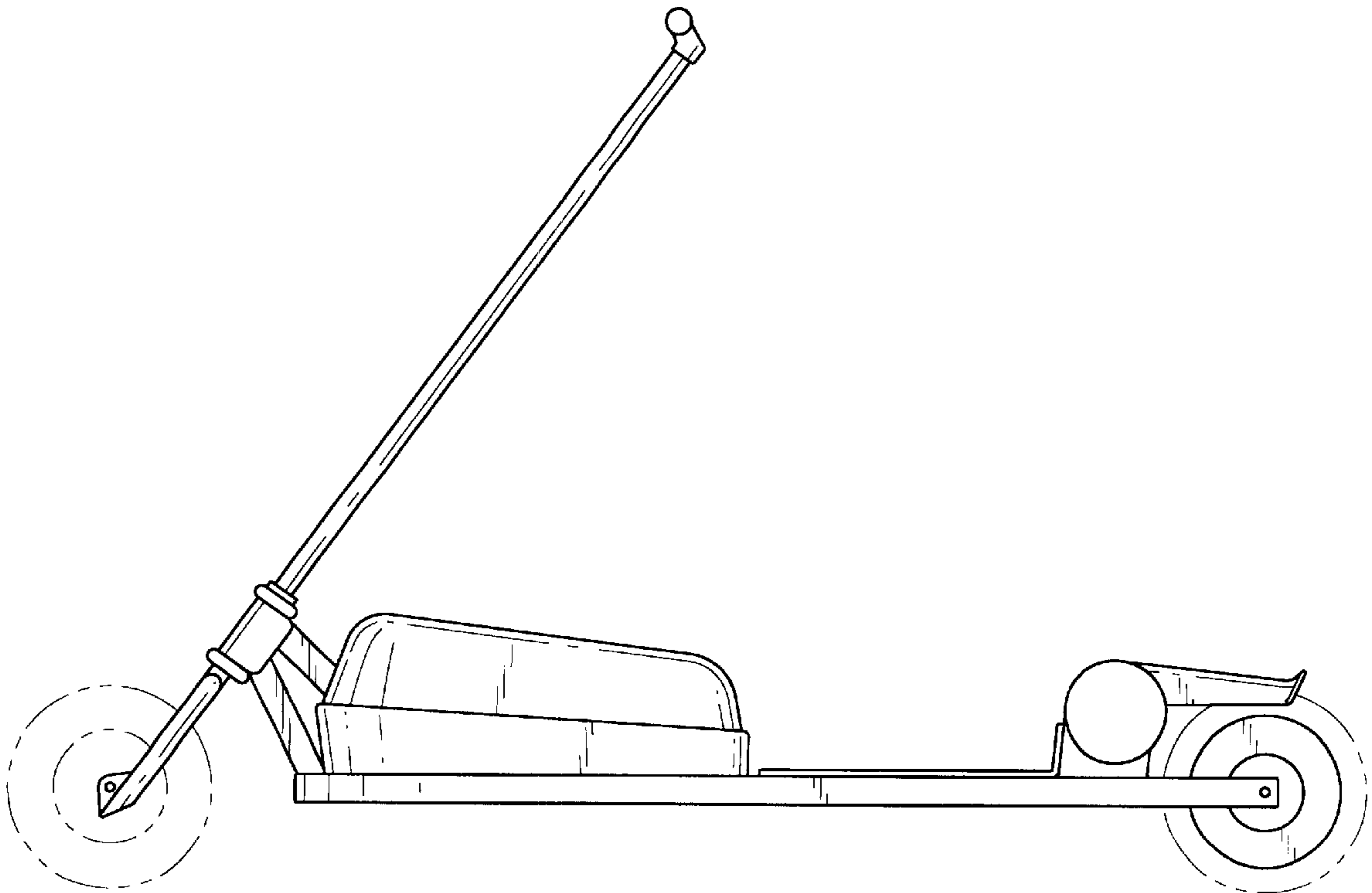
(57) **CLAIM**

The ornamental design for a motorized scooter, as shown and described.

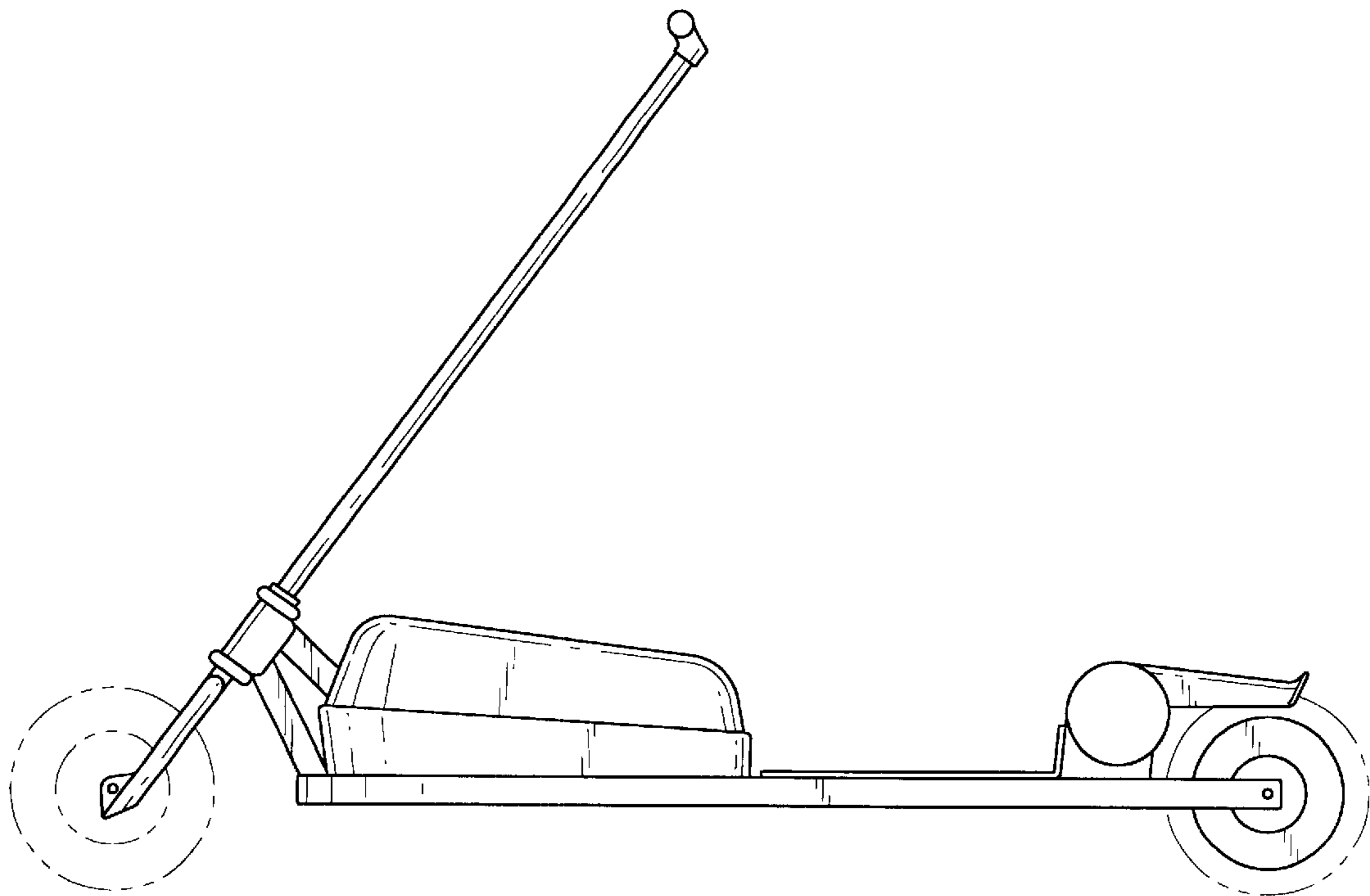
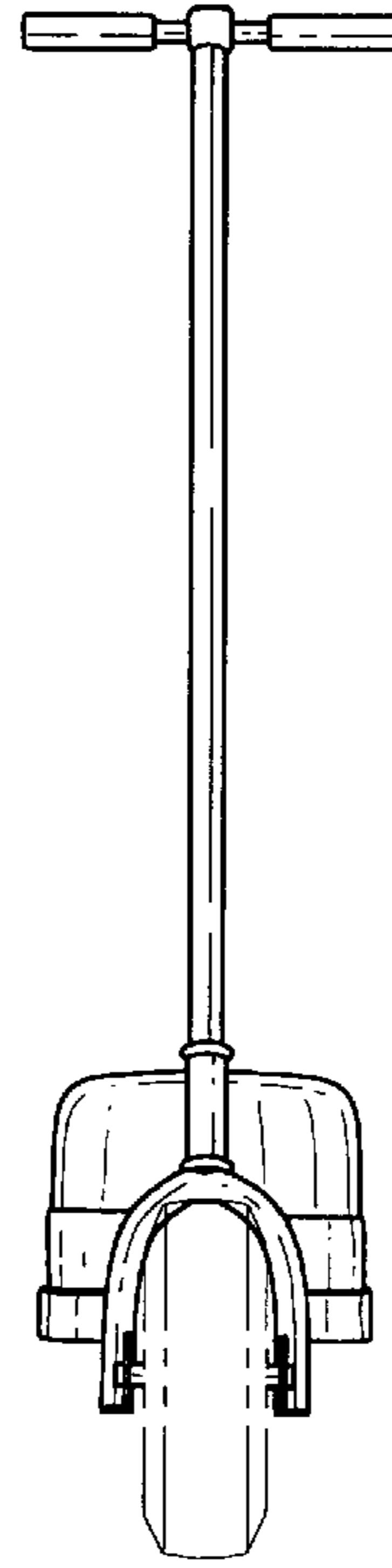
**DESCRIPTION**

FIG. 1 is a front elevational view, showing my new design;  
FIG. 2 is a left side elevational view;  
FIG. 3 is a right side elevational view;  
FIG. 4 is a top view;  
FIG. 5 is a rear view; and,  
FIG. 6 is a bottom view; thereof.

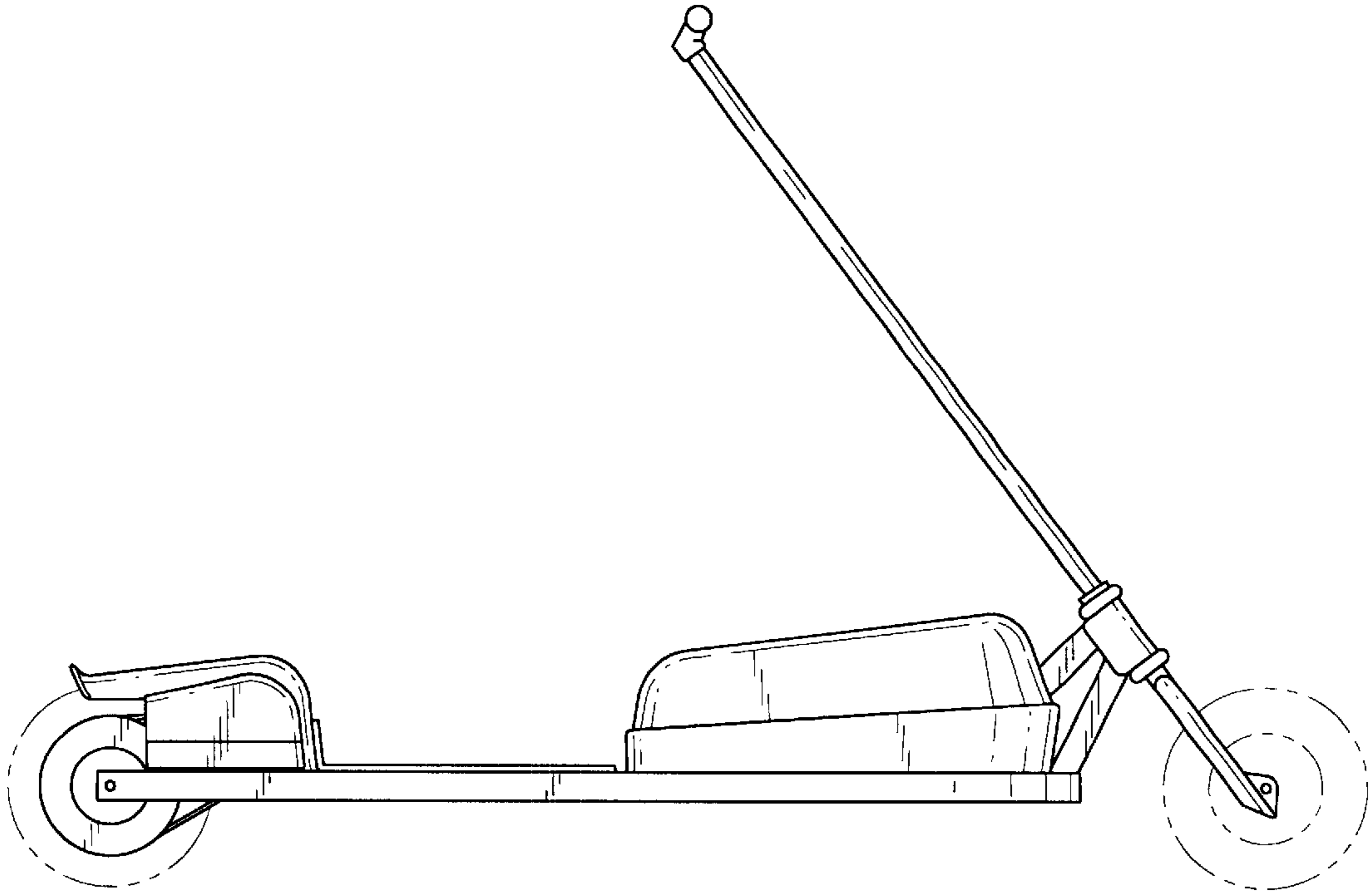
**1 Claim, 3 Drawing Sheets**



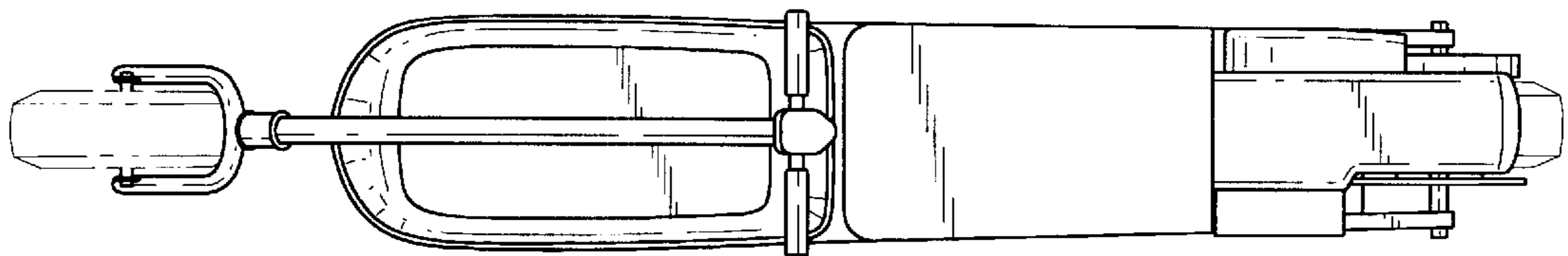
**FIG. 1**



**FIG. 2**

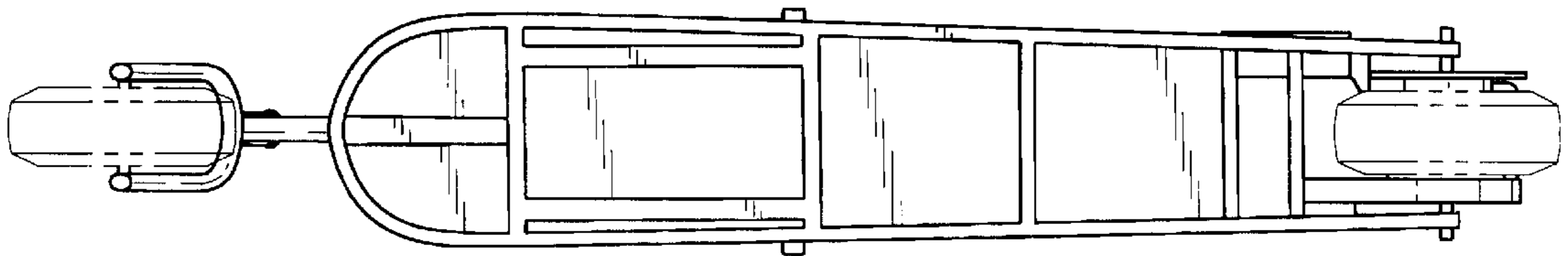
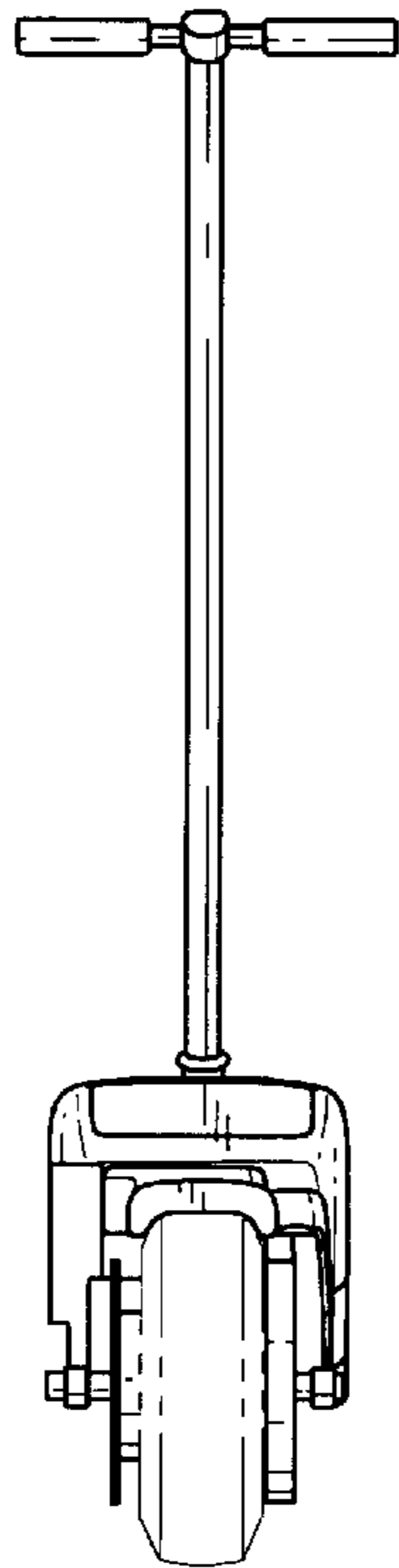


**FIG. 3**



**FIG. 4**

*FIG. 5*



*FIG. 6*