



US00D456460S

(12) **United States Design Patent**  
**Tseng**

(10) **Patent No.:** **US D456,460 S**

(45) **Date of Patent:** **\*\* Apr. 30, 2002**

(54) **ELECTRIC SCOOTER**

(76) Inventor: **Shih Fan Tseng**, No. 129, Sec. 1,  
Yuanlu Rd., Puyan Shiang, Changhua  
(TW), 516

(\*\*) Term: **14 Years**

(21) Appl. No.: **29/134,361**

(22) Filed: **Dec. 21, 2000**

(51) **LOC (7) Cl.** ..... **21-01**

(52) **U.S. Cl.** ..... **D21/423**

(58) **Field of Search** ..... D21/419, 421,  
D21/423, 424, 426, 435, 533, 760, 765,  
771; D12/107, 110-112; 280/87.01, 87.04,  
87.041, 87.042, 87.05; 180/180, 181, 216,  
219

(56) **References Cited**

**U.S. PATENT DOCUMENTS**

4,842,091 A \* 6/1989 Badsey ..... 180/181  
D326,290 S \* 5/1992 Badsey ..... D21/423

5,848,660 A \* 12/1998 McGreen ..... 280/87.041  
D414,220 S \* 9/1999 Catto ..... D21/423  
D433,718 S \* 11/2000 McGreen ..... D21/423  
D438,911 S \* 3/2001 Chen ..... D21/423

\* cited by examiner

*Primary Examiner*—Raphael Barkai

(74) *Attorney, Agent, or Firm*—Rosenberg, Klein & Lee

(57) **CLAIM**

The ornamental design for a electric scooter, as shown and described.

**DESCRIPTION**

FIG. 1 is a front-left-top perspective view of a electric scooter, showing my new design;  
FIG. 2 is a front elevational view thereof;  
FIG. 3 is a rear elevational view thereof;  
FIG. 4 is a left side elevational view thereof;  
FIG. 5 is a right side elevational view thereof;  
FIG. 6 is a top plan view thereof; and,  
FIG. 7 is a bottom plan view thereof.

**1 Claim, 7 Drawing Sheets**

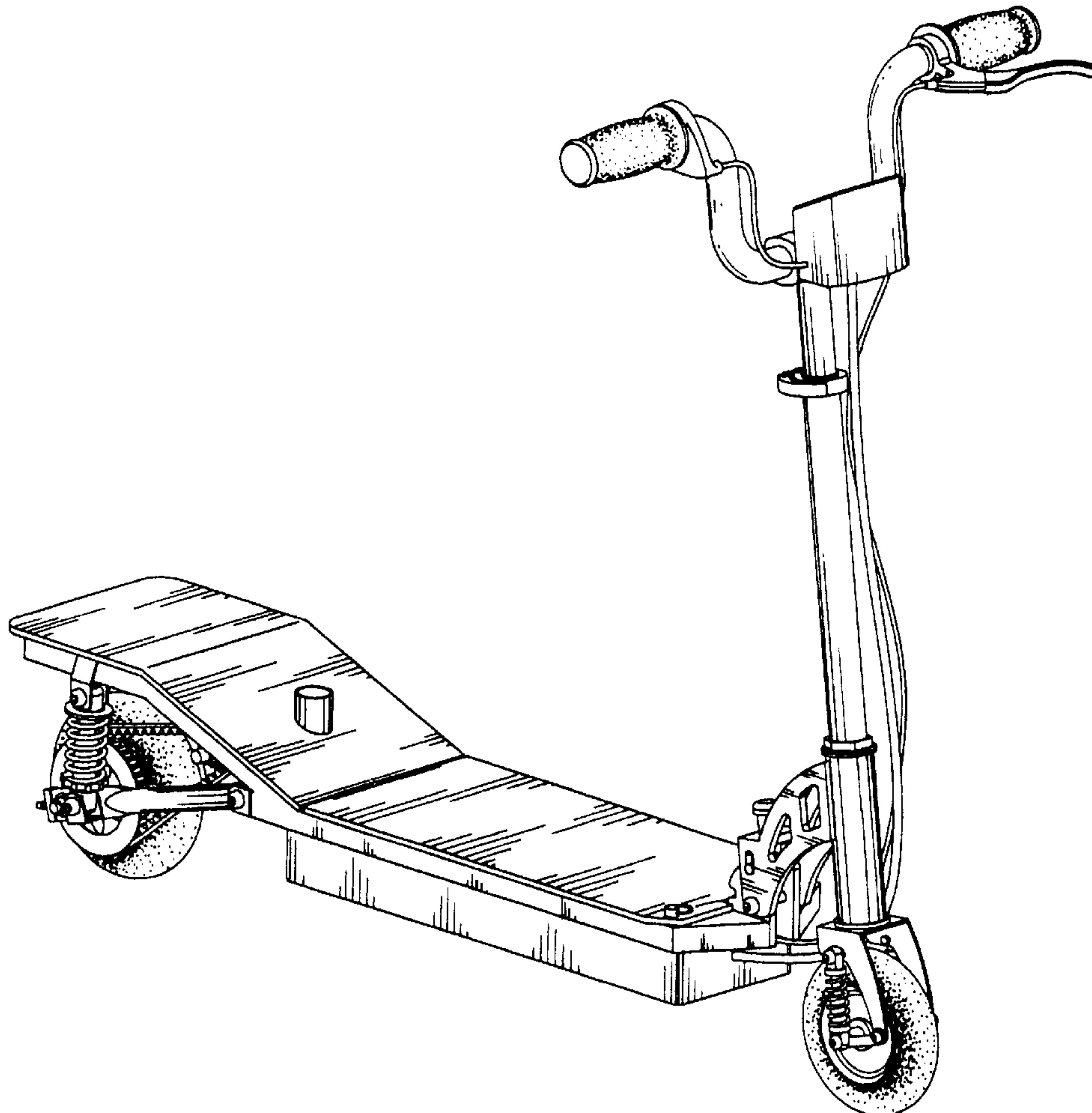




FIG. 1

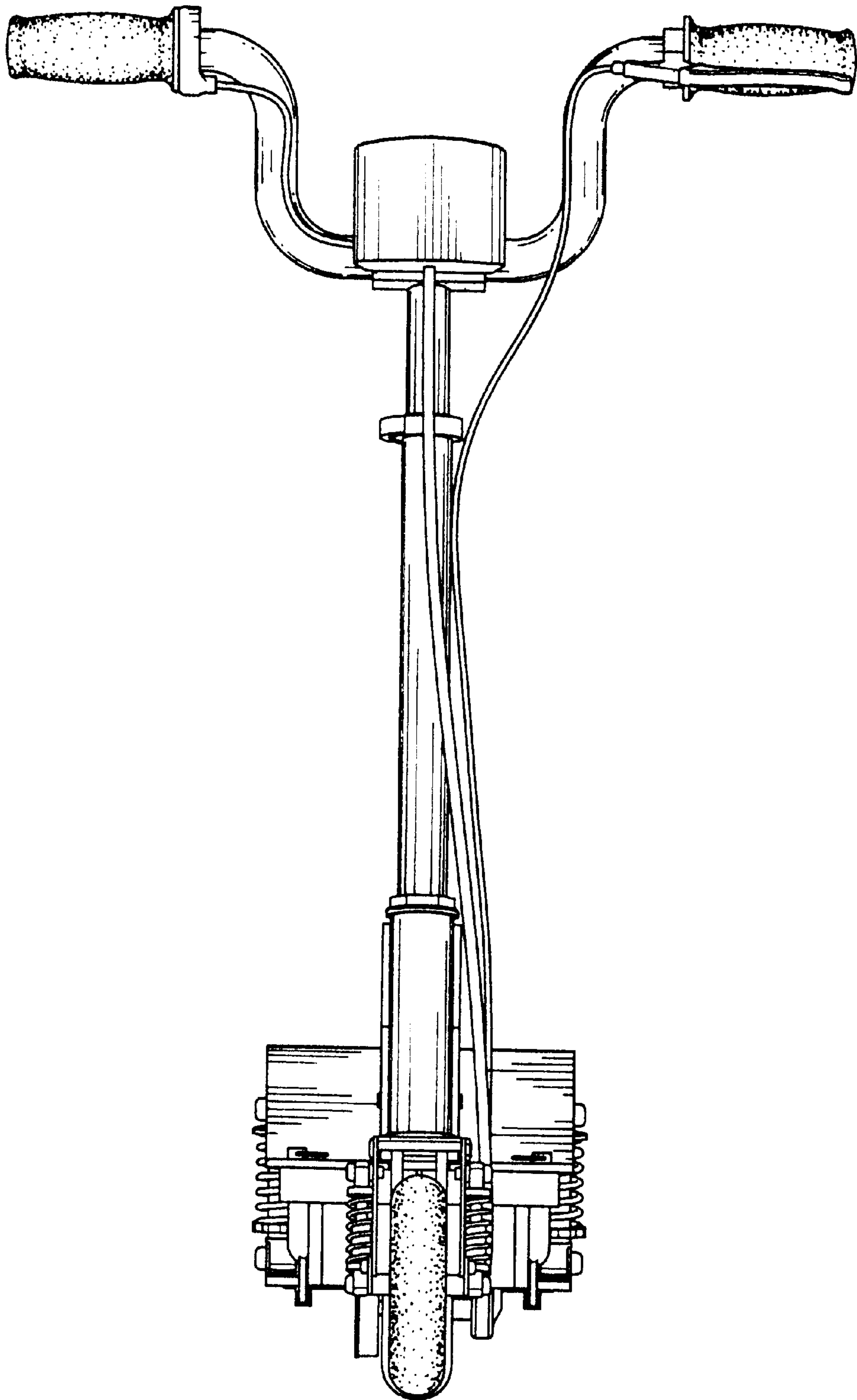


FIG. 2

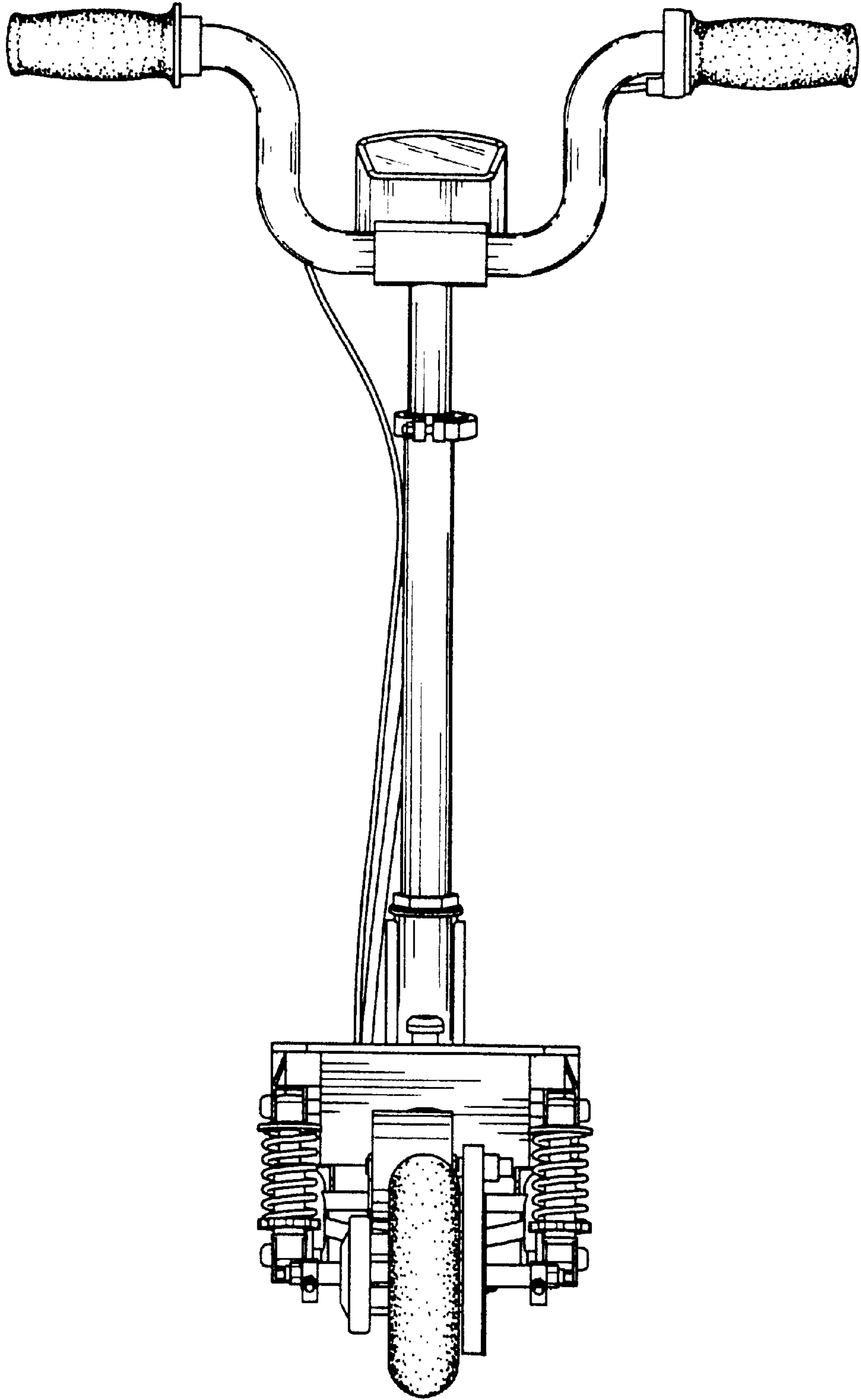


FIG. 3

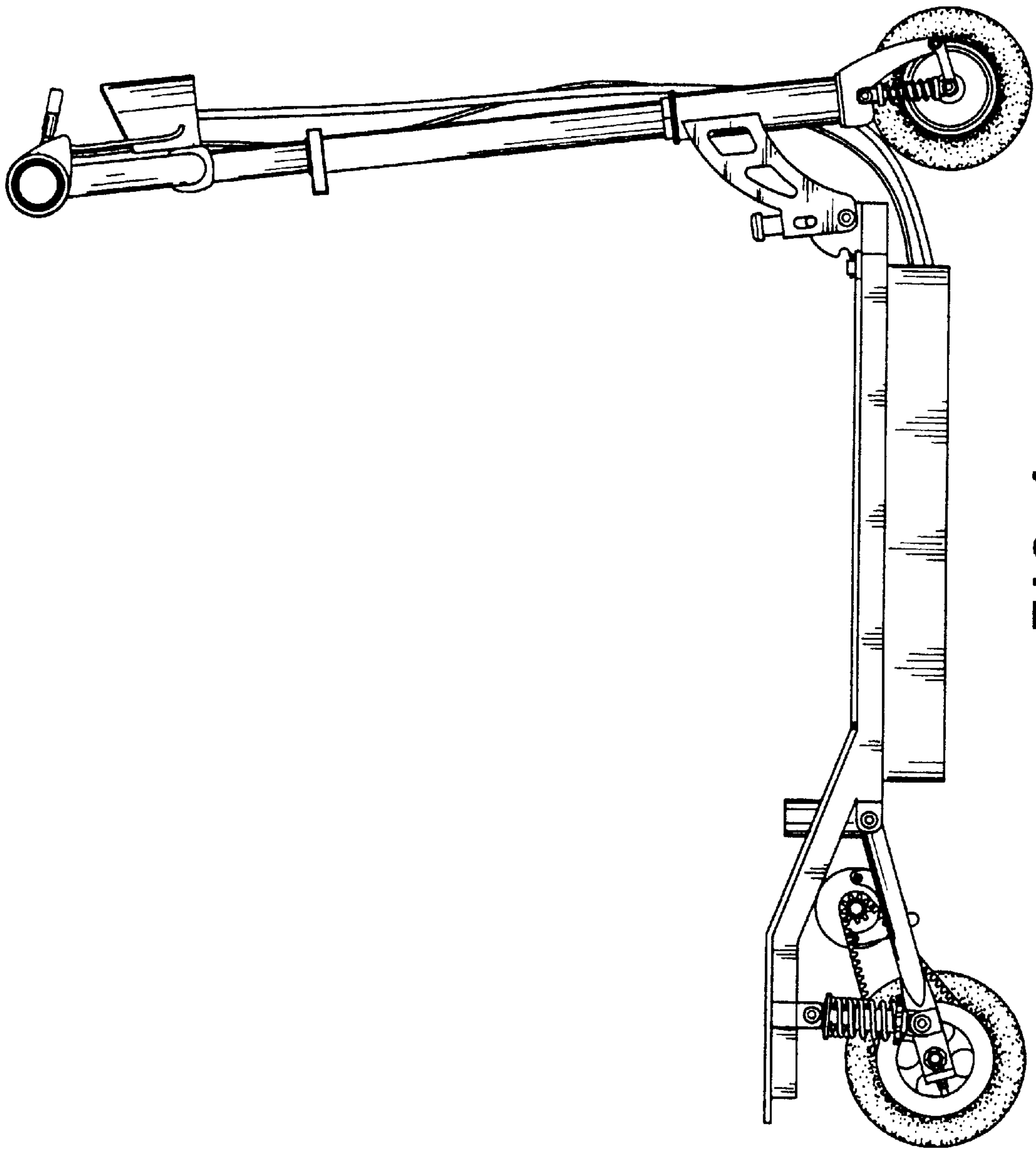


FIG. 4

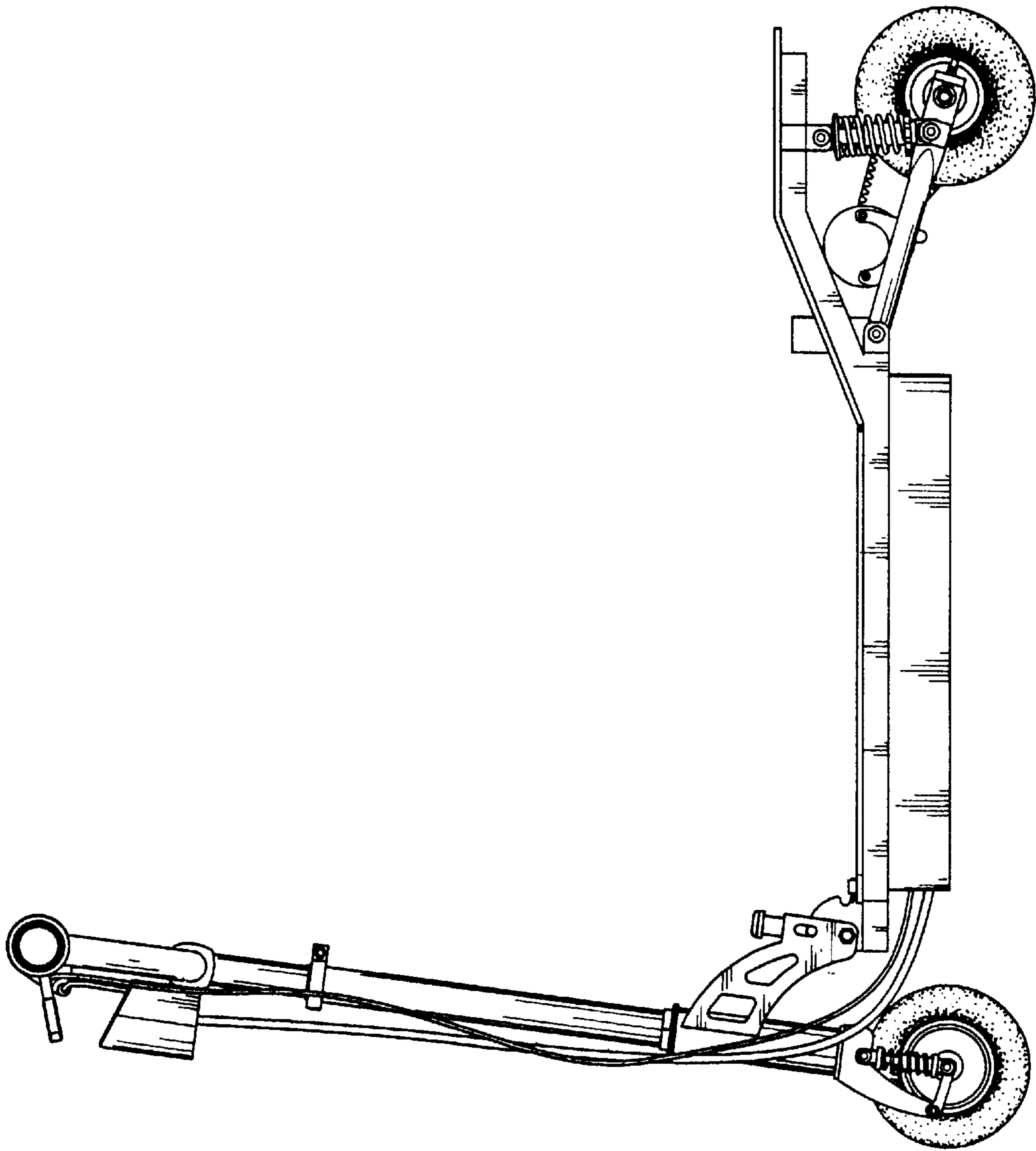


FIG. 5



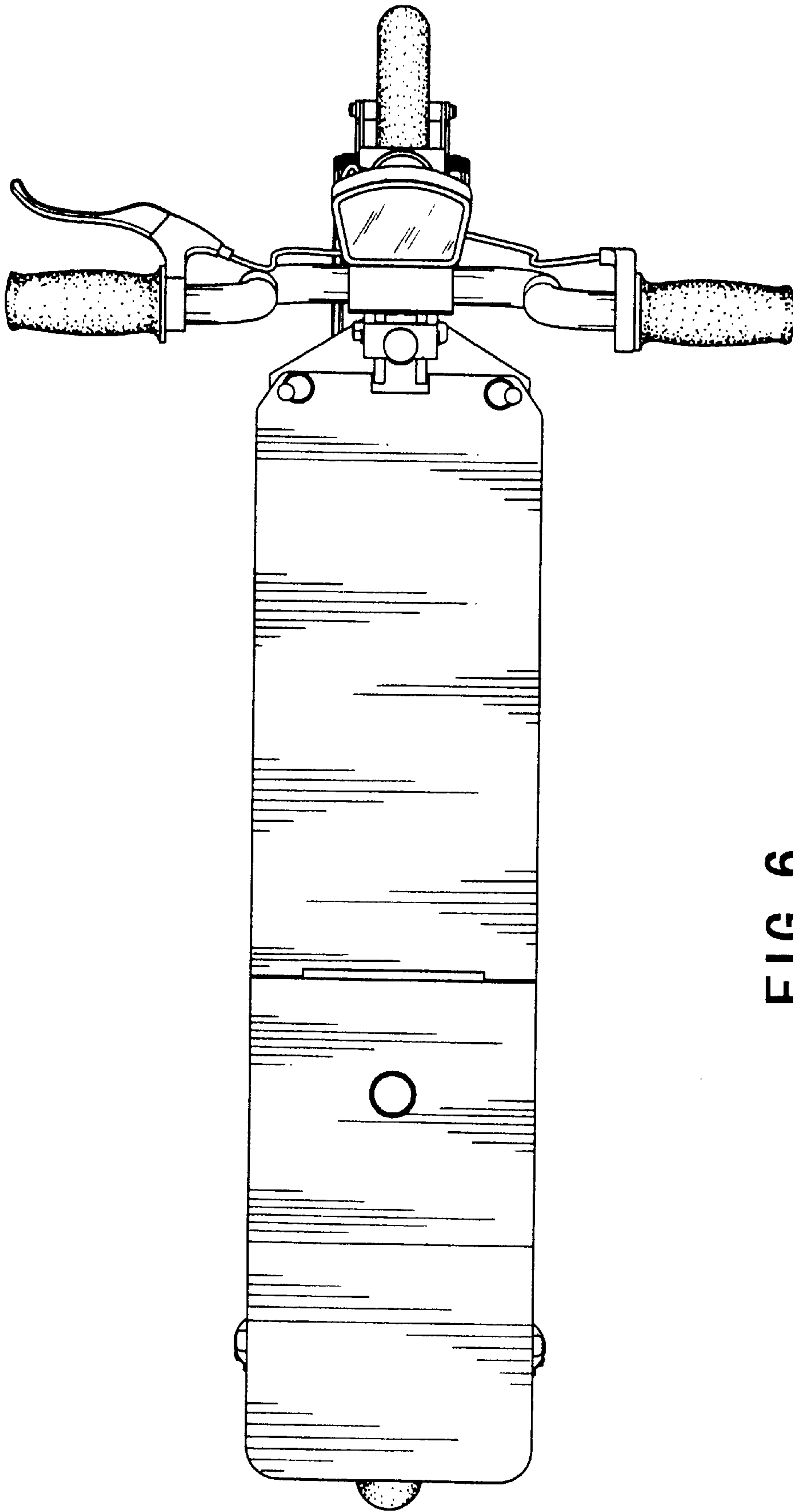


FIG. 6

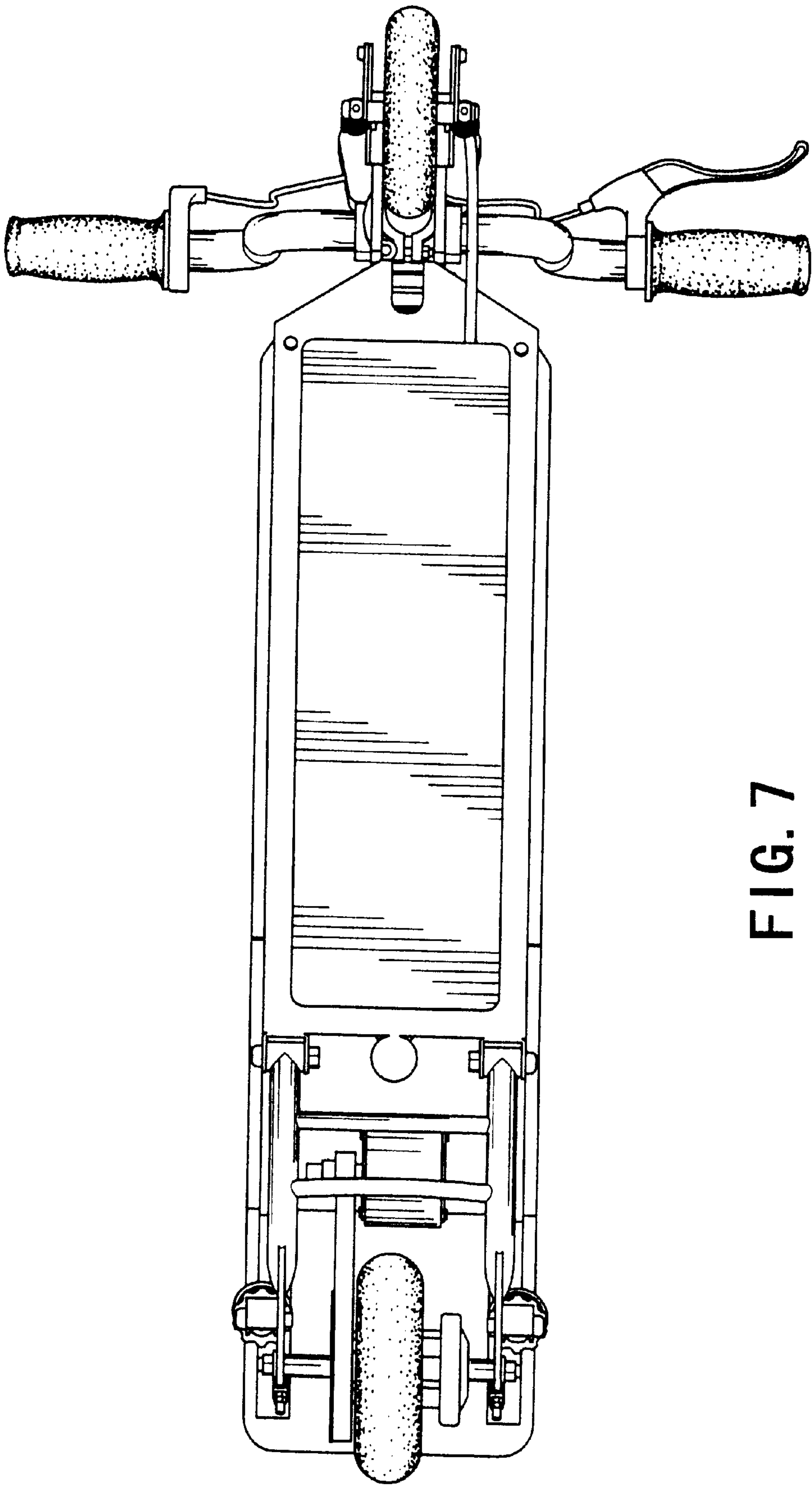


FIG. 7