



US00D456459S

(12) **United States Design Patent**  
**Feng**

(10) **Patent No.:** **US D456,459 S**

(45) **Date of Patent:** **\*\* Apr. 30, 2002**

(54) **JUMPING RODS**

(75) Inventor: **Pin-Chieh Feng**, Chang Hua Hsien  
(TW)

(73) Assignee: **Melton International L.L.C.**, Dover,  
DE (US)

(\*\*) Term: **14 Years**

(21) Appl. No.: **29/142,139**

(22) Filed: **May 21, 2001**

(30) **Foreign Application Priority Data**

Mar. 22, 2001 (TW) ..... 090301864

(51) **LOC (7) Cl.** ..... **21-01**

(52) **U.S. Cl.** ..... **D21/413**

(58) **Field of Search** ..... D21/413; 482/77,  
482/126-128

(56) **References Cited**

**U.S. PATENT DOCUMENTS**

2,871,016 A \* 1/1959 Rapaport ..... 482/77  
2,929,459 A \* 3/1960 Spitzmesser ..... 482/77 X  
D215,552 S \* 10/1969 Rieth ..... D21/413

D263,485 S \* 3/1982 Rudell et al. .... D21/413  
4,390,178 A \* 6/1983 Rudell ..... 482/77  
D316,280 S \* 4/1991 White ..... D21/413  
6,168,555 B1 \* 1/2001 Fetterleigh et al. .... 482/77

\* cited by examiner

*Primary Examiner*—Dominic Simone

(74) *Attorney, Agent, or Firm*—Browdy and Neimark

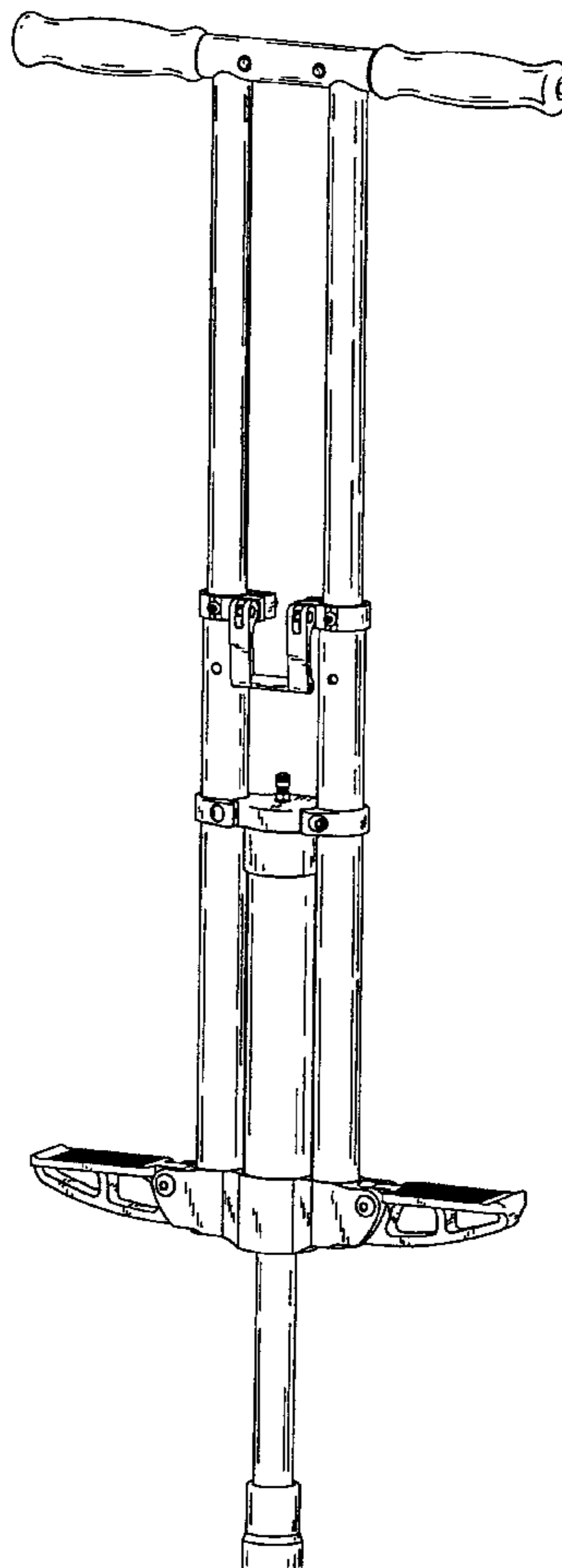
(57) **CLAIM**

The ornamental design for a “jumping rods”, as shown and described.

**DESCRIPTION**

FIG. 1 shows a perspective view of the present design.  
FIG. 2 shows a right elevational view of the present design.  
FIG. 3 shows a top plan view of the present design.  
FIG. 4 shows a front elevational view of the present design.  
FIG. 5 shows a left elevational view of the present design.  
FIG. 6 shows a top plan view of the present design; and,  
FIG. 7 shows a rear elevational view of the present design.  
The broken line illustration in the drawing disclosure is for illustrative purposes only and forms no part of the claimed design.

**1 Claim, 3 Drawing Sheets**



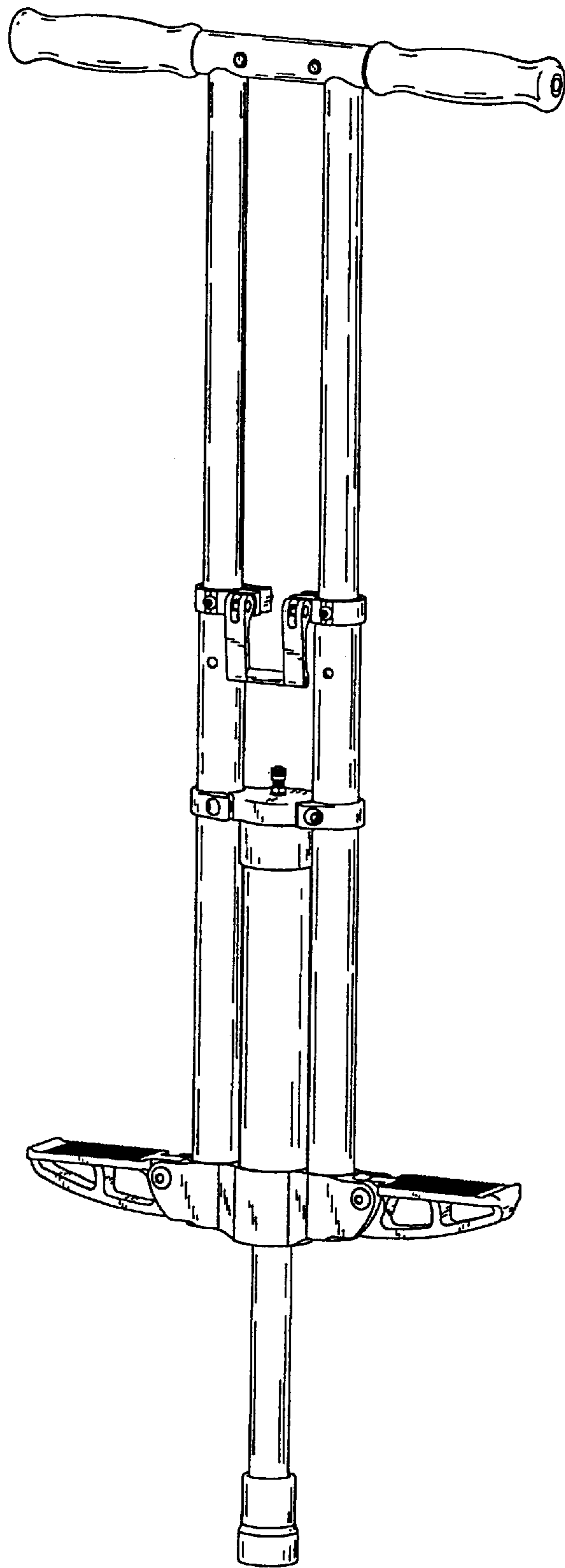


FIG. 1



FIG. 3

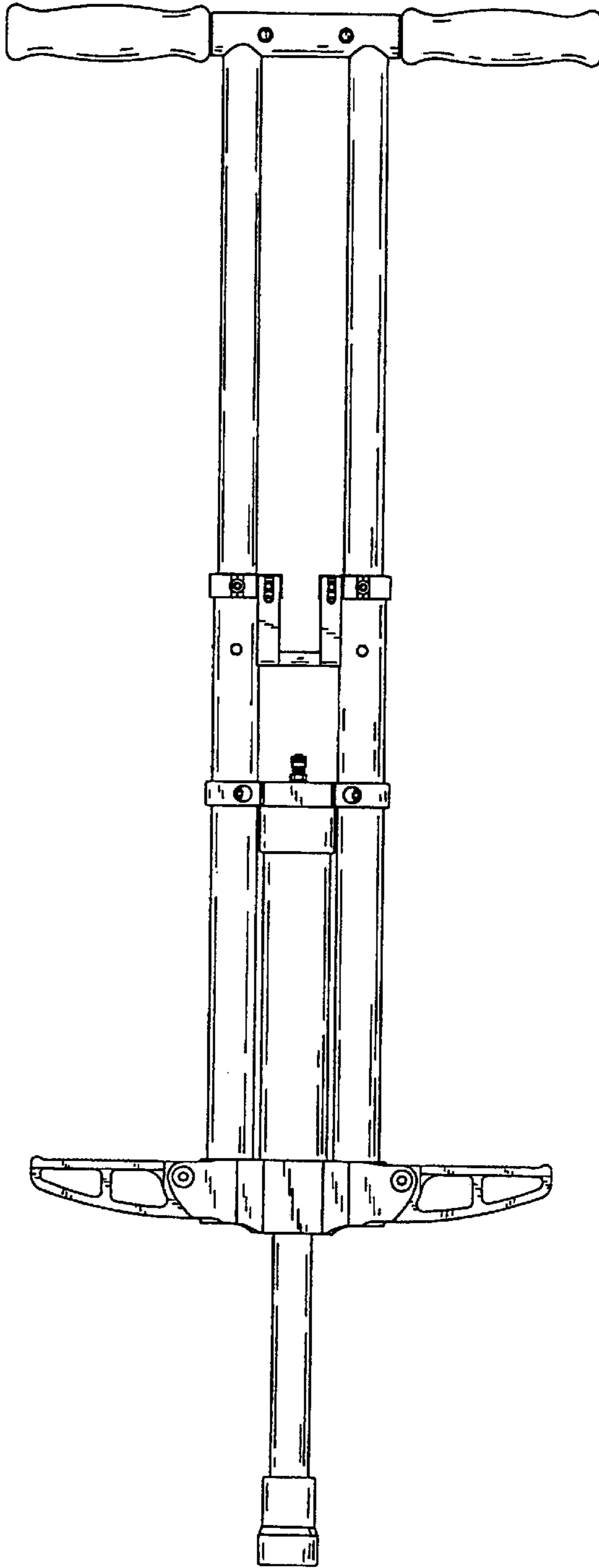


FIG. 4



FIG. 2



FIG. 6

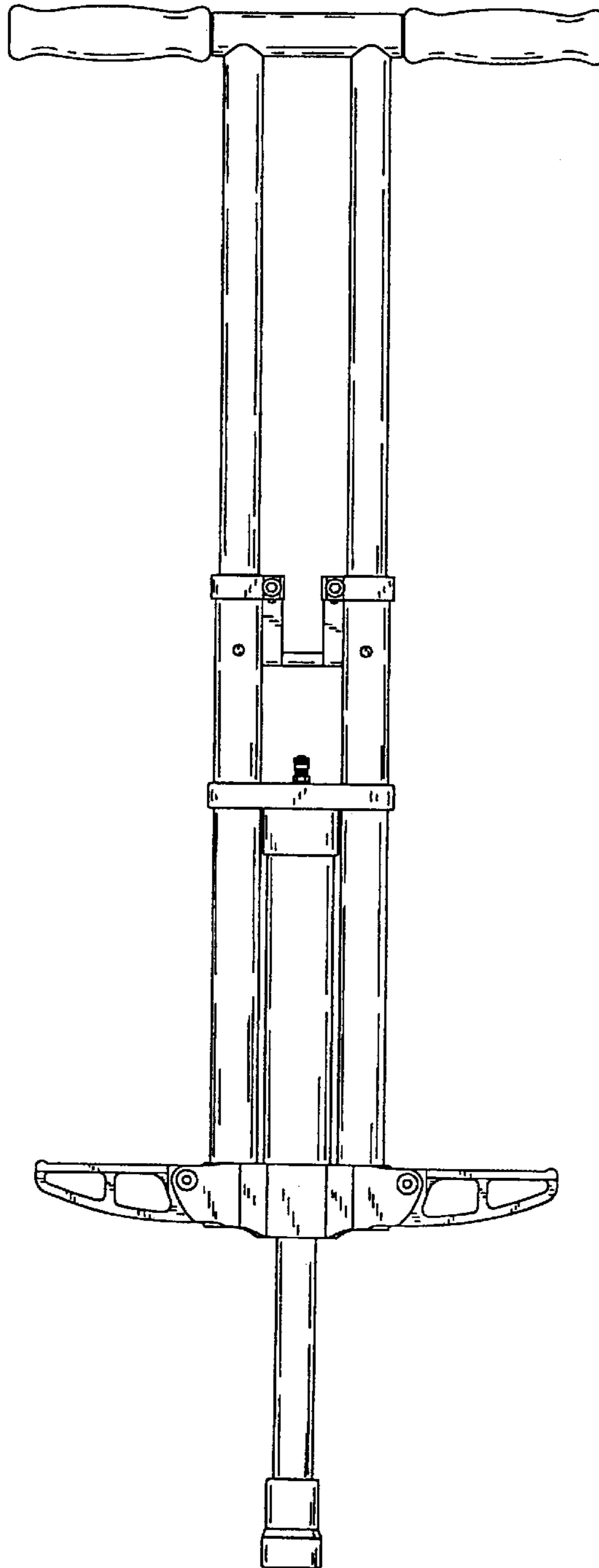


FIG. 7



FIG. 5