



US00D456455S

(12) **United States Design Patent**
Cleveland

(10) **Patent No.:** **US D456,455 S**

(45) **Date of Patent:** **** Apr. 30, 2002**

(54) **LUGGAGE WRAP**

(75) Inventor: **Robert L. Cleveland**, Lexington, OK (US)

(73) Assignee: **The Bob Cleveland Co., Inc.**, Norman, OK (US)

(**) Term: **14 Years**

(21) Appl. No.: **29/139,061**

(22) Filed: **Mar. 22, 2001**

Related U.S. Application Data

(63) Continuation of application No. 29/132,661, filed on Nov. 13, 2000, now abandoned.

(51) **LOC (7) Cl.** **20-02**

(52) **U.S. Cl.** **D20/27**

(58) **Field of Search** D20/10, 22, 23,
D20/27, 28; 40/1, 5, 6, 299, 492, 642.02,
653, 661.07, 649

(56) **References Cited**

U.S. PATENT DOCUMENTS

- D287,864 S * 1/1987 Perfect D20/27
- D433,069 S * 10/2000 Livingston D20/22
- D435,662 S 12/2000 Stevens et al.

OTHER PUBLICATIONS

Www.magellans.com; "Give your bags a distinctive look."; p. 9; Toll Free: 1.800.926.4943 prior to Mar. 22, 2001.

* cited by examiner

Primary Examiner—Marcus A. Jackson

(74) *Attorney, Agent, or Firm*—Dunlap, Coddling & Rogers, P.C.

(57) **CLAIM**

The ornamental design for a luggage wrap, as shown and described.

DESCRIPTION

FIG. 1 is a perspective view of a luggage wrap showing my new design with the luggage wrap being wrapped around a handle of a piece of luggage, the handle being shown in phantom for illustrative purposes only;

FIG. 2 is a front elevational view in an unwrapped condition of the luggage wrap of FIG. 1 having a card, bearing identification information, shown in phantom for illustrative purposes only;

FIG. 3 is a rear elevational view thereof;

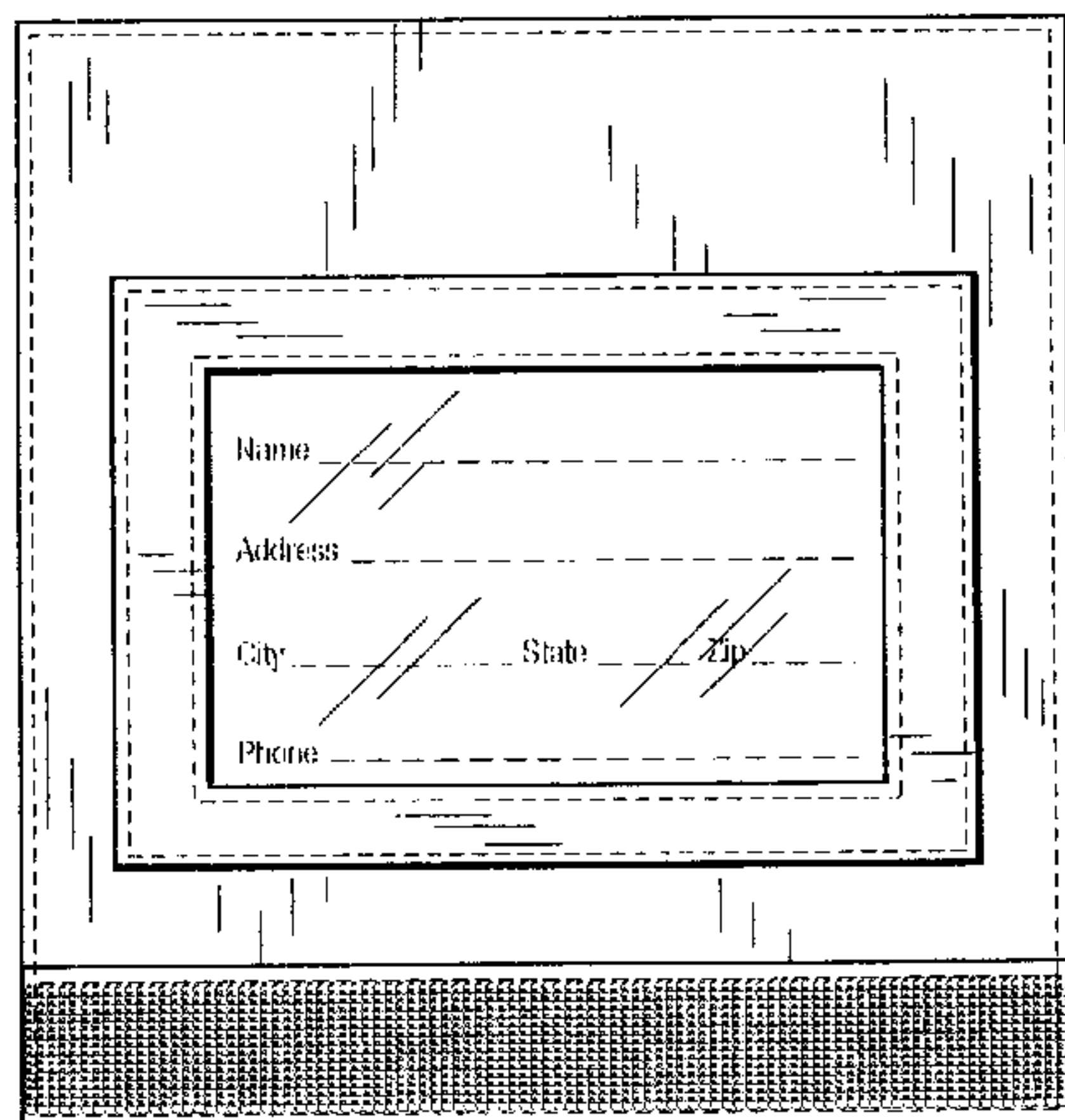
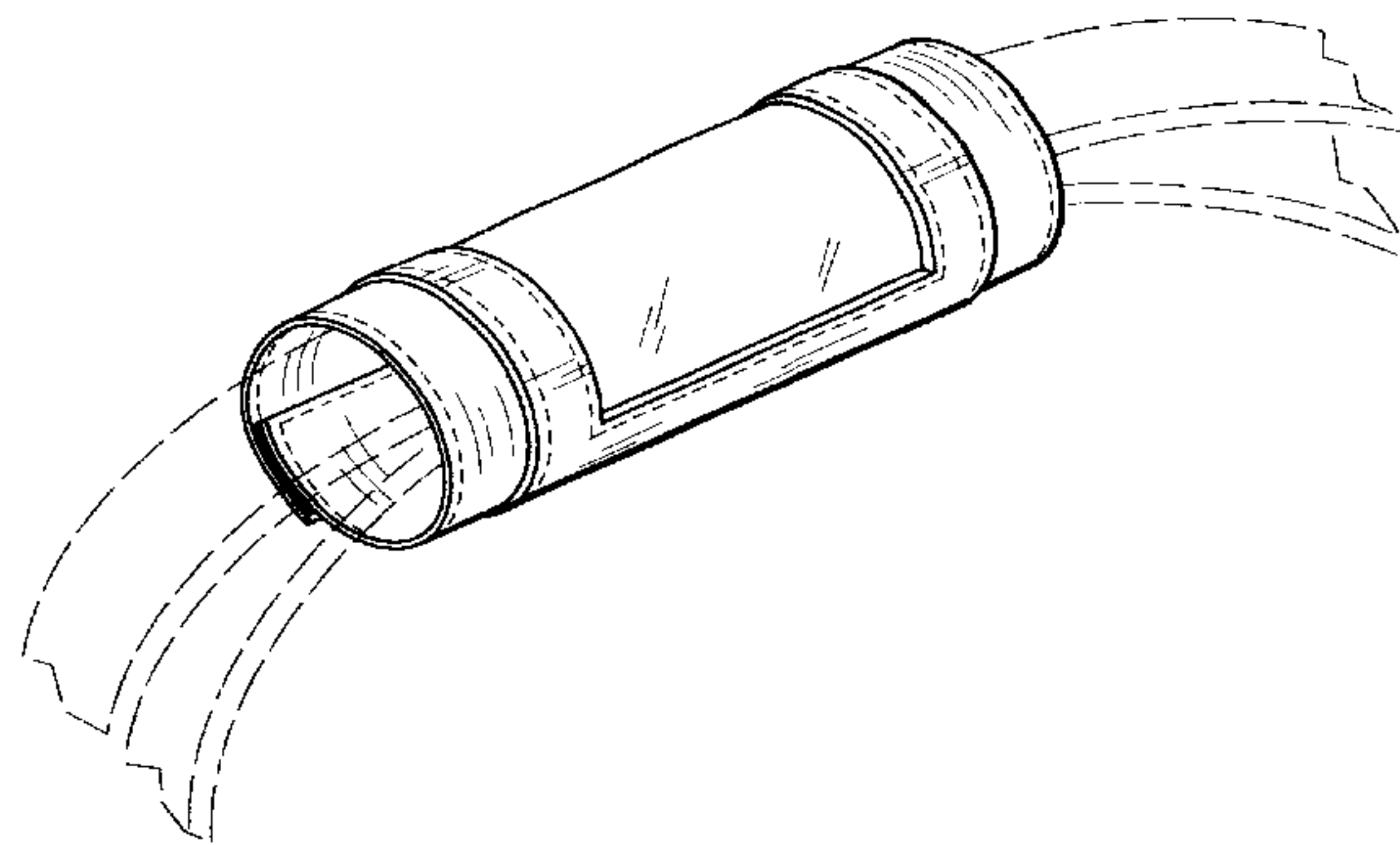
FIG. 4 is a top plan view thereof;

FIG. 5 is a bottom plan view thereof;

FIG. 6 is a side elevational view of one side thereof; and,

FIG. 7 is a side elevational view of a side opposite that shown in FIG. 6.

1 Claim, 2 Drawing Sheets



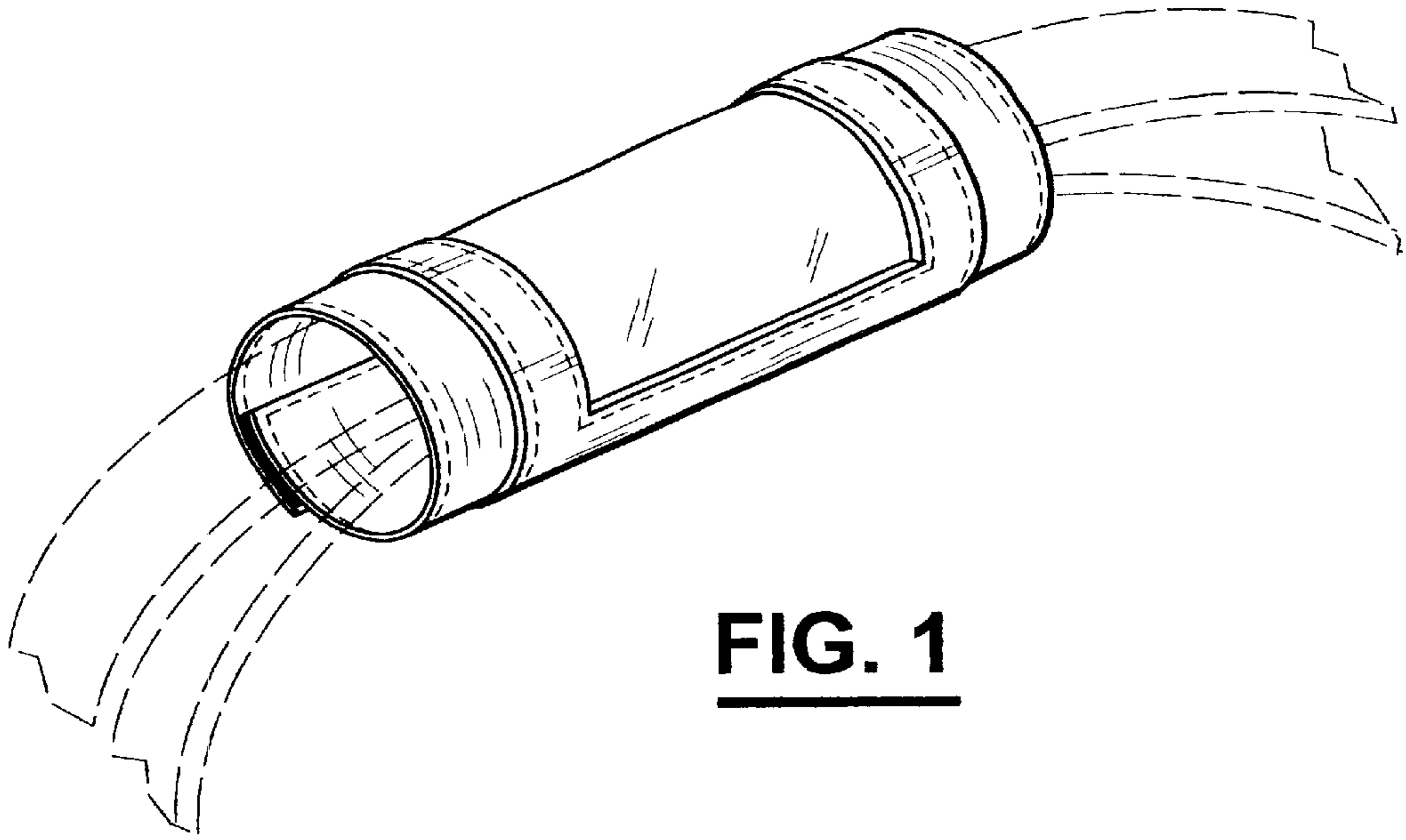


FIG. 1

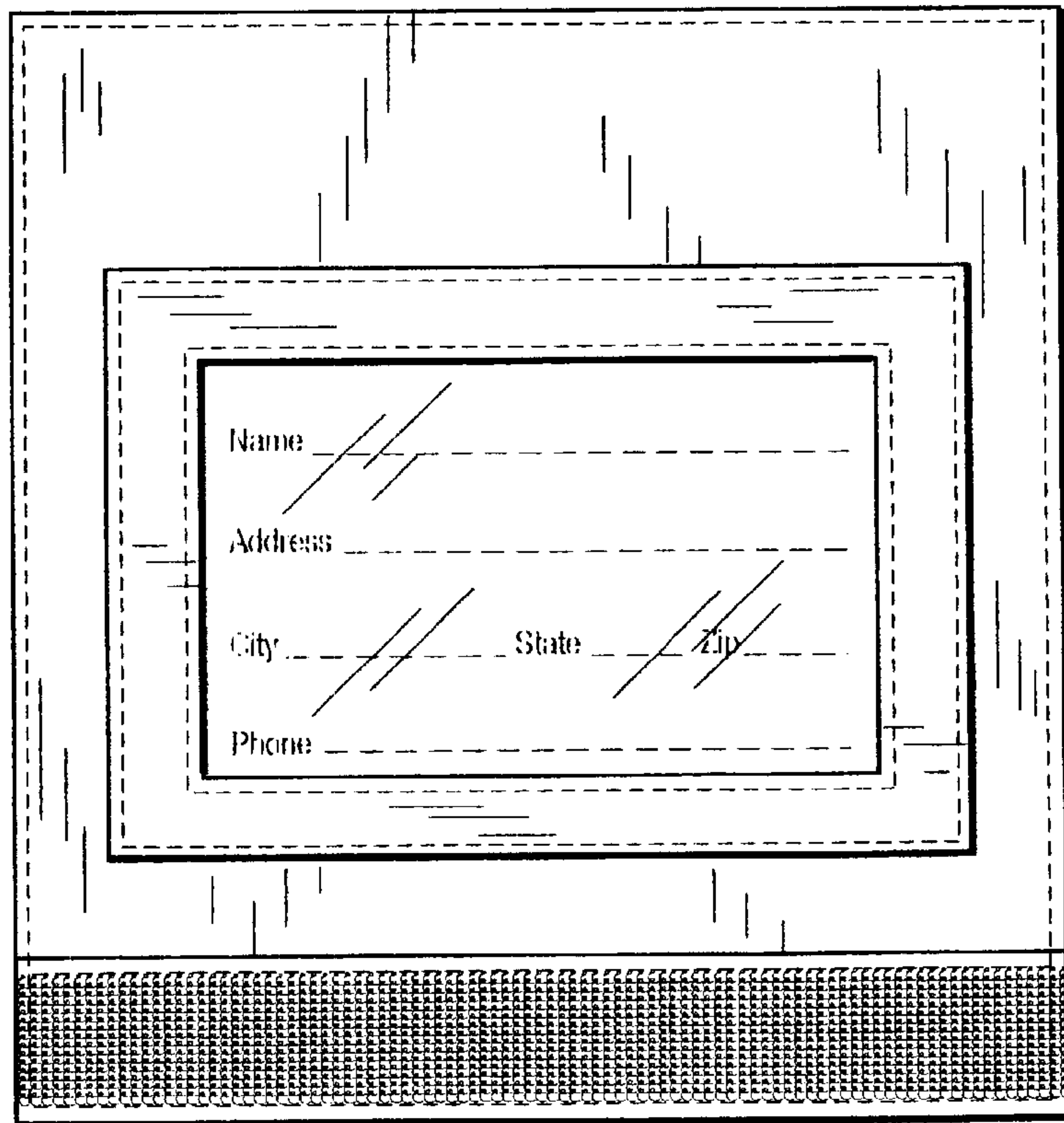


FIG. 2

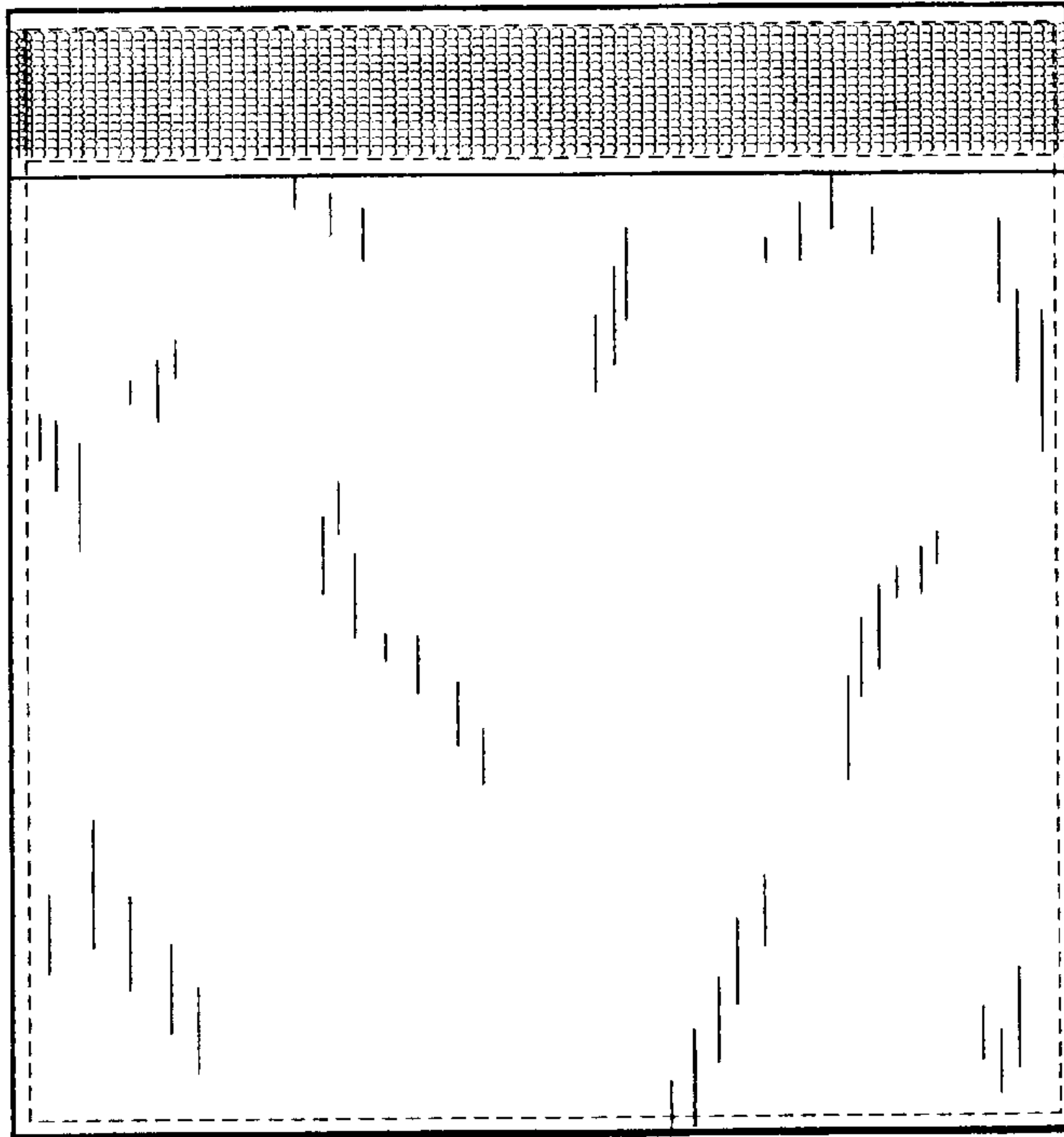


FIG. 3



FIG. 4



FIG. 5



FIG. 6

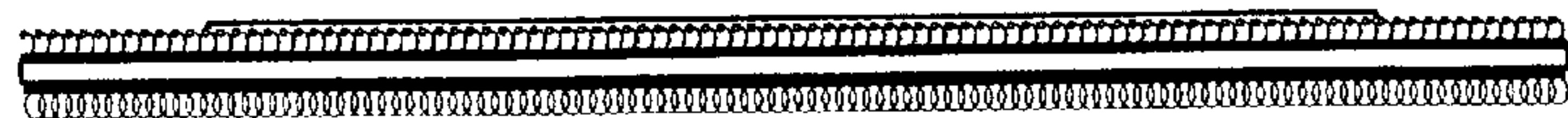


FIG. 7