



US00D456450S

(12) **United States Design Patent**  
**Kimura**

(10) **Patent No.:** **US D456,450 S**

(45) **Date of Patent:** **\*\* Apr. 30, 2002**

(54) **CORRECTION TAPE DISPENSER**

(75) Inventor: **Shigeru Kimura**, Tokorozawa (JP)

(73) Assignee: **Tombow Pencil Co., Ltd.**, Tokyo (JP)

(\*\*) Term: **14 Years**

(21) Appl. No.: **29/139,708**

(22) Filed: **Apr. 4, 2001**

(30) **Foreign Application Priority Data**

Oct. 4, 2000 (JP) ..... 2000-028085  
Oct. 4, 2000 (JP) ..... 2000-028086

(51) **LOC (7) Cl.** ..... **19-02**

(52) **U.S. Cl.** ..... **D19/69; D19/67**

(58) **Field of Search** ..... D19/65, 66, 67,  
D19/68, 69, 89, 72, 99, 100; 225/6, 7, 12,  
19, 22, 25, 34, 35, 46, 45, 56, 57, 74, 77,  
89, 11; 242/588, 588.1, 588.6, 590; 156/327,  
523, 527, 577

(56) **References Cited**

**U.S. PATENT DOCUMENTS**

D355,934 S \* 2/1995 Oga et al. .... D19/69  
5,430,904 A \* 7/1995 Ono et al. .... 156/577 X  
5,512,128 A \* 4/1996 Manusch et al. .... 156/577  
5,595,626 A \* 1/1997 Yokouchi et al. .... 156/577  
5,670,014 A \* 9/1997 Mendelovich et al. .... 156/523  
D421,059 S \* 2/2000 Shimizu ..... D19/69

D424,116 S \* 5/2000 You ..... D19/69  
D436,625 S \* 1/2001 Katami ..... D19/69  
D438,250 S \* 2/2001 Katami ..... D19/69  
D438,251 S \* 2/2001 Katami ..... D19/69  
D446,246 S \* 8/2001 Kimura ..... D19/69

\* cited by examiner

*Primary Examiner*—Martie K. Holtje

(74) *Attorney, Agent, or Firm*—Birch, Stewart, Kolasch & Birch, LLP

(57) **CLAIM**

The ornamental design for a correction tape dispenser, as shown and described.

**DESCRIPTION**

FIG. 1 is a left side elevational view of a correction tape dispenser of this invention;  
FIG. 2 is a front end elevational view of the correction tape dispenser of FIG. 1;  
FIG. 3 is a rear end elevational view of the correction tape dispenser of FIG. 1;  
FIG. 4 is a top plan view of the correction tape dispenser of FIG. 1;  
FIG. 5 is a bottom plan view of the correction tape dispenser of FIG. 1;  
FIG. 6 is a right side elevational view of the correction tape dispenser of FIG. 1; and,  
FIG. 7 is a top front perspective view of the correction tape dispenser of FIG. 1.

**1 Claim, 2 Drawing Sheets**

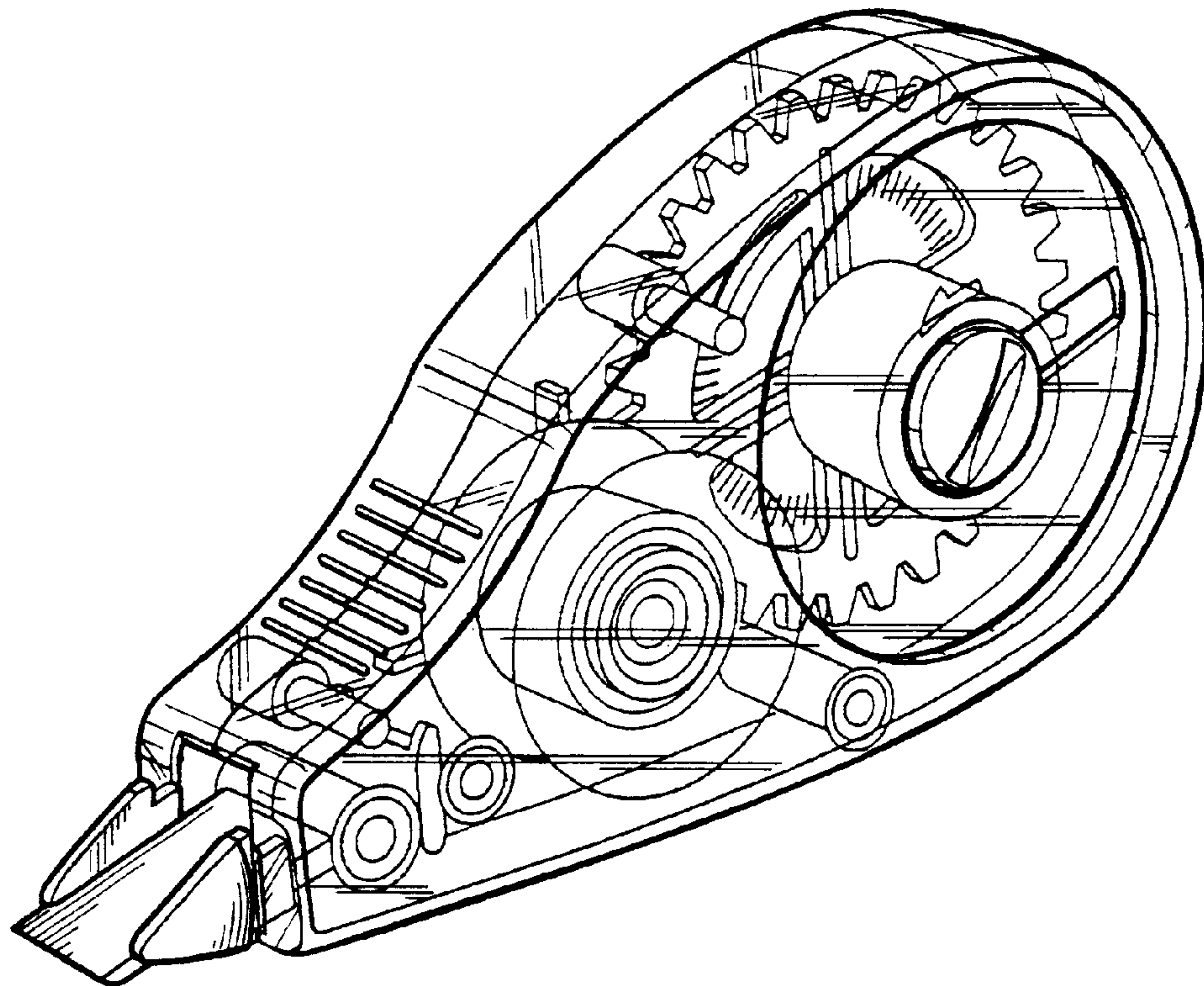


FIG. 1

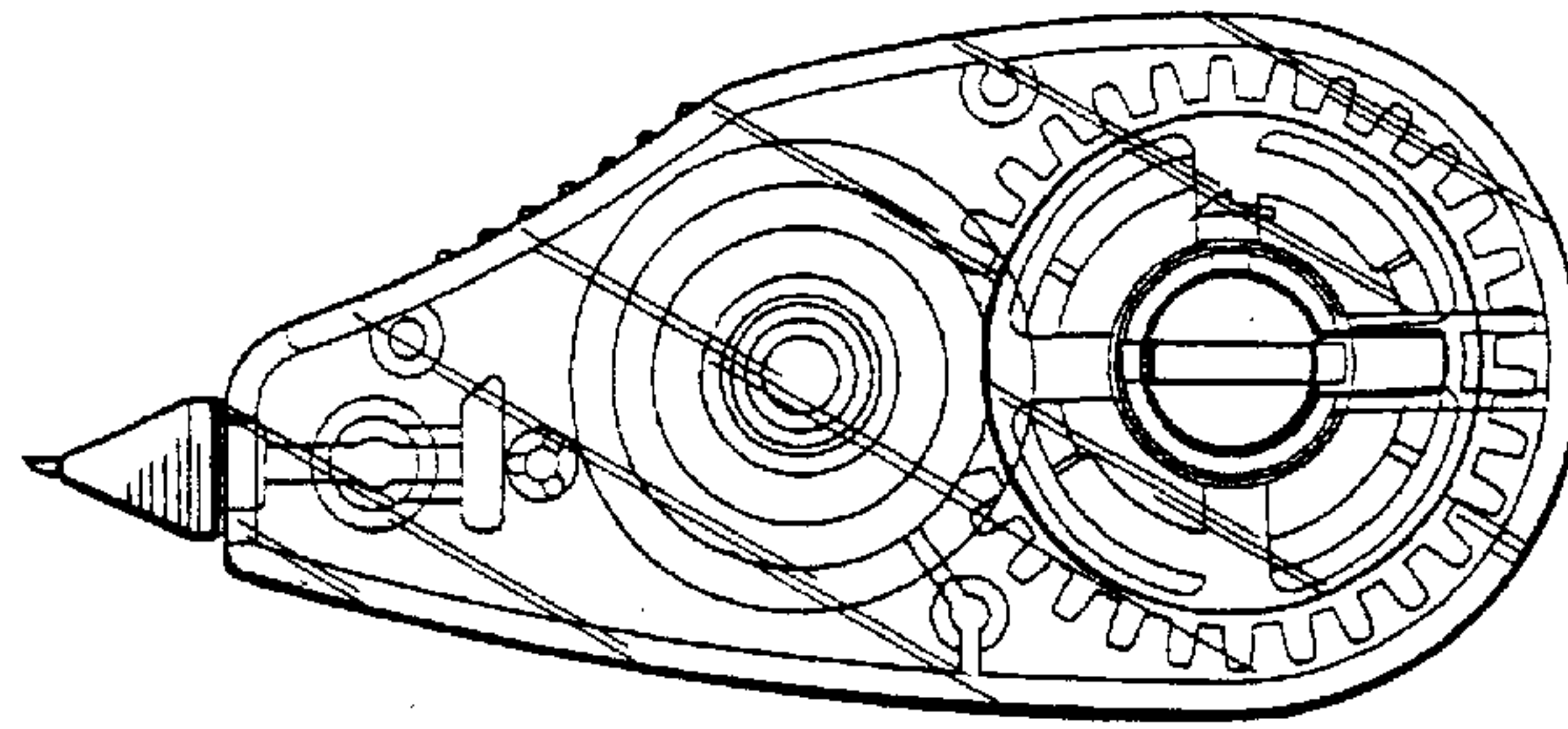


FIG. 2

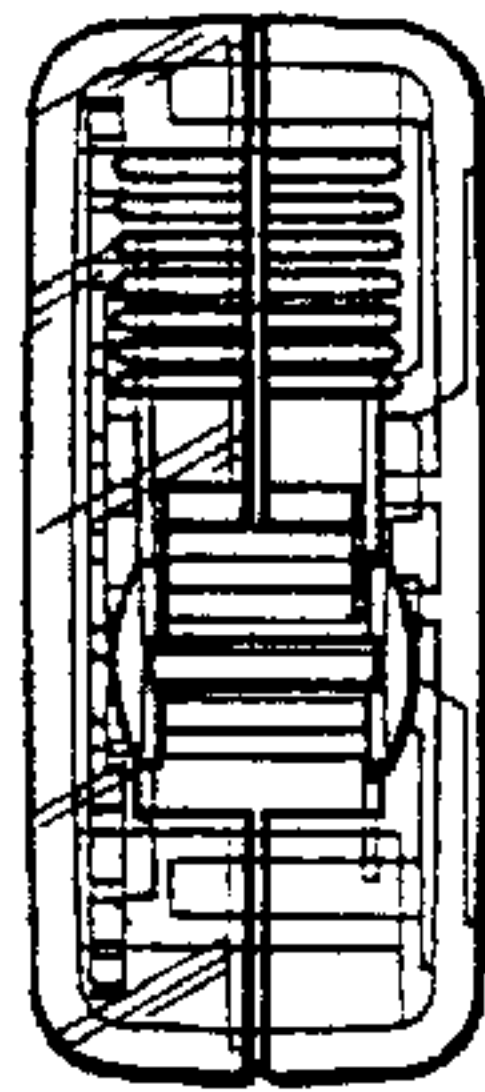


FIG. 3

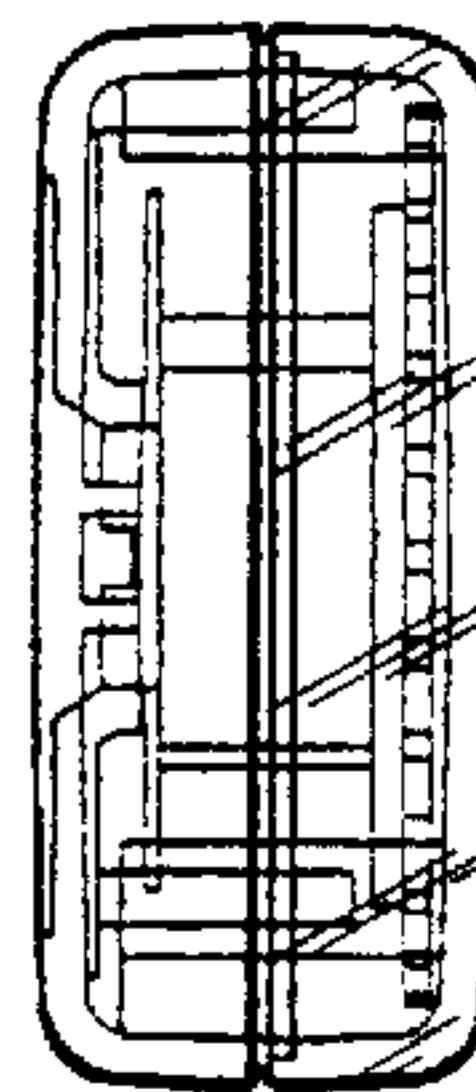


FIG. 4

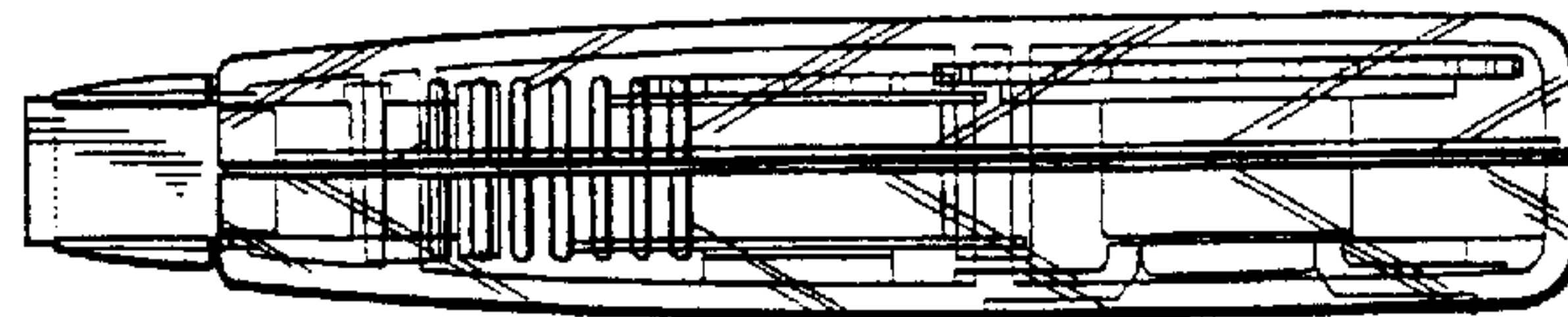


FIG. 5



FIG. 6

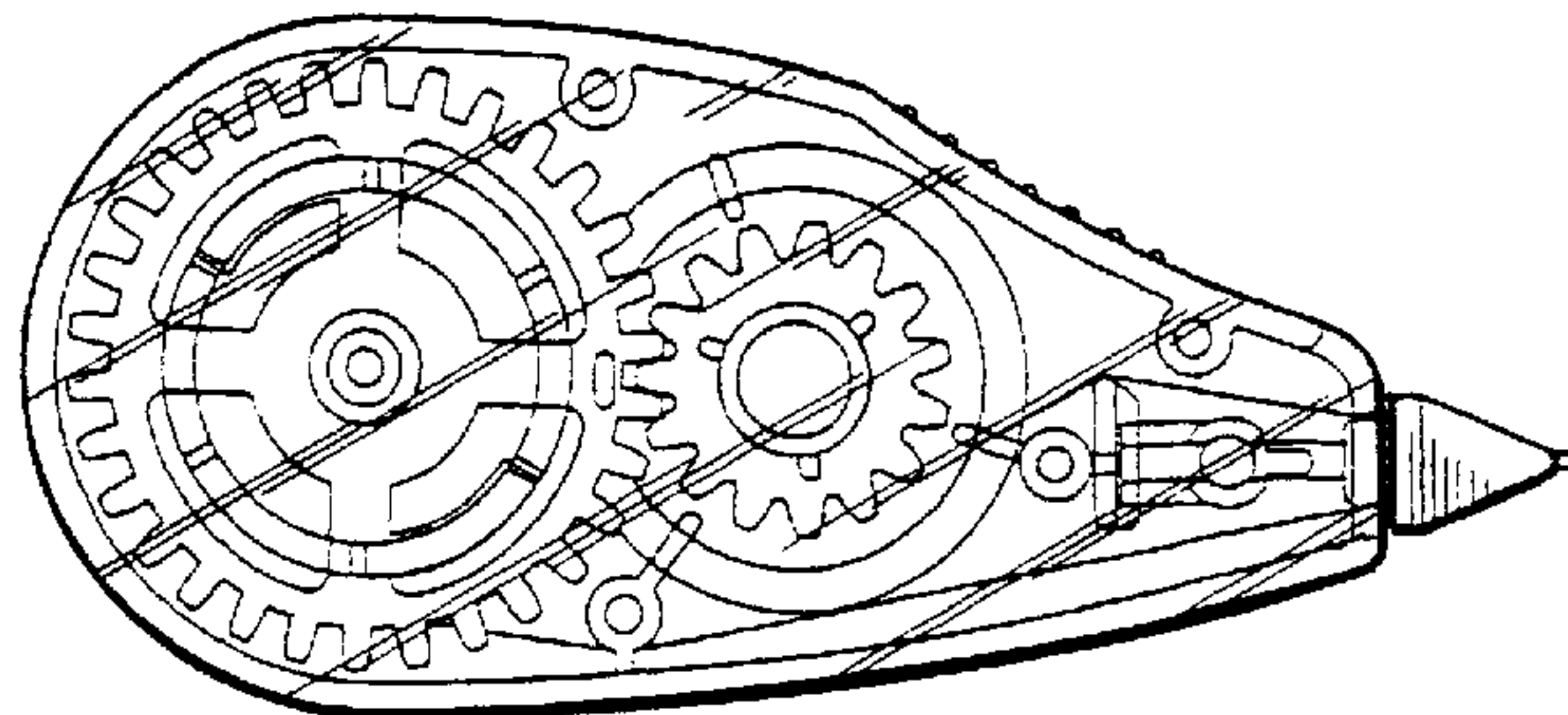


FIG. 7

