



US00D456449S

(12) **United States Design Patent**
Dunshee et al.

(10) **Patent No.: US D456,449 S**

(45) **Date of Patent: ** Apr. 30, 2002**

(54) **TAPE DISPENSER**

(76) Inventors: **Wayne K. Dunshee; Joy A. Packard,**
both of P.O. Box 33427, St. Paul, MN
(US) 55133-3427

(**) Term: **14 Years**

(21) Appl. No.: **29/115,633**

(22) Filed: **Dec. 18, 1999**

Related U.S. Application Data

(63) Continuation-in-part of application No. 29/109,681, filed on Aug. 20, 1999, now abandoned, and a division of application No. 29/097,492, filed on Dec. 8, 1998, now Pat. No. Des. 416,582.

(51) **LOC (7) Cl. 19-02**

(52) **U.S. Cl. D19/69; D19/67**

(58) **Field of Search** D19/65-69, 89,
D19/99, 100; 206/389, 395, 396-398, 408,
411, 415; 225/6, 7, 9, 25, 34-36, 45, 46,
56, 65, 77, 89; 156/327, 527, 577, 523;
242/588, 588.1, 588.6, 590

(56) **References Cited**

U.S. PATENT DOCUMENTS

1,805,619 A	5/1931	Fuller	
1,869,729 A	8/1932	Zuckerman	
D95,616 S	5/1935	Ritter	D19/69
2,082,546 A	6/1937	Machate et al.	206/52
D125,085 S	2/1941	Jackson	D19/69
2,275,212 A	3/1942	Valentine	242/70
2,295,477 A	9/1942	Jackson	242/55.5
2,295,679 A	9/1942	Montback	242/55.5
D134,545 S	12/1942	Fischer	D19/69
D136,657 S	11/1943	Funke	D19/69
2,333,924 A	11/1943	Gorbatenko	164/47
D141,220 S	5/1945	Preble, Jr.	D19/69
D164,733 S	10/1951	Pretzfedler, Jr.	D19/69
2,694,533 A	11/1954	Zucker	242/55.4
2,695,454 A	11/1954	Dart	33/138
2,699,251 A	1/1955	Rizza	206/59
2,710,152 A	6/1955	Jones	242/55.5

D177,214 S	3/1956	Castelli et al.	D19/69
2,776,095 A	1/1957	Emmert	242/55.5
2,790,609 A	4/1957	Hawthorne et al.	242/55.5

(List continued on next page.)

OTHER PUBLICATIONS

“3M™ Micropore™ Surgical Tape, The dependable choice for a gentle, general dressing paper tape.”, 3M Health Care, form 70-2008-5942-2(1251)ii.

Brochure, “3M Surgical Tape Sampler, Standards that never vary”, 3M Health Care, form 70-2008-6471-1(532.5)ii.

Johnson and Johnson “Wound Care Products”, <http://www.jnjindia.com/prowou.htm>.

2 copies of photographs of a prior art edge protector for use with Smith & Nephew medial tape rolls, which edge protector does not afford rotation of the roll of tape relative to the edge protector.

Engineering drawings for the “Micropore #1535 1 Dispenser”, 1 page.

Photographs of 3M tape dispensers.

Primary Examiner—Martie K. Holtje

(74) *Attorney, Agent, or Firm*—Doreen S. L. Gwin

(57) **CLAIM**

The ornamental design for a tape dispenser, as shown and described.

DESCRIPTION

FIG. 1 is a perspective view of a tape dispenser of a new design.

FIG. 2 is a front view thereof.

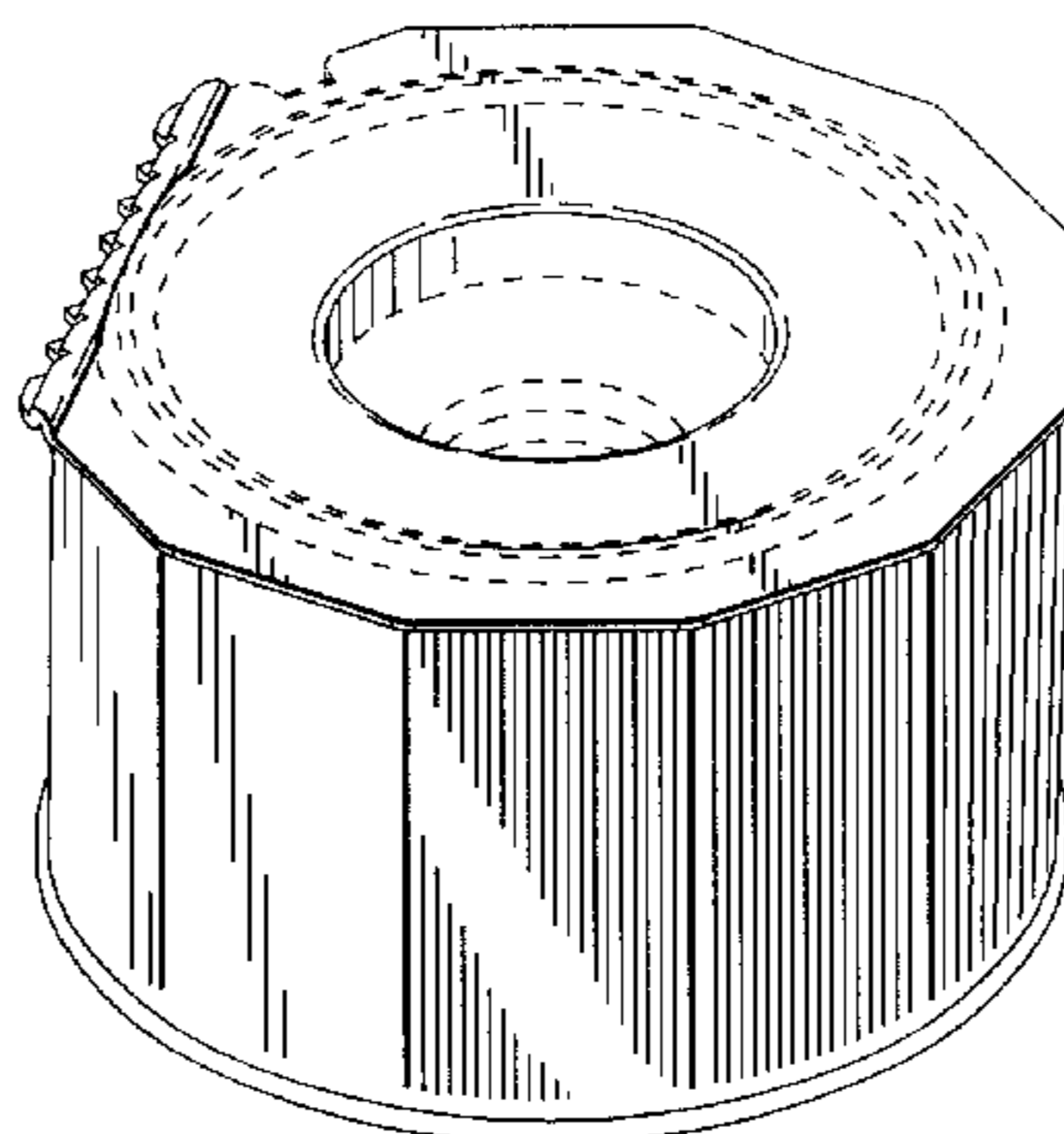
FIG. 3 is a bottom view thereof.

FIG. 4 is a right side view thereof, the left side being a mirror image thereof; and,

FIG. 5 is a rear view thereof.

The cutting structure depicted by means of broken lines in the Figures has been shown for illustrative purposes only and forms no part of the claimed design.

1 Claim, 1 Drawing Sheet



US D456,449 S

Page 2

U.S. PATENT DOCUMENTS

D185,284 S	5/1959	Hofmann	D19/69	4,998,655 A	3/1991	Huang	225/26
D185,639 S	7/1959	Hofmann	D19/69	D323,531 S	1/1992	Fortune	D19/69
D186,343 S	10/1959	Gershen	D19/69	5,090,565 A	2/1992	Wang	206/411
D187,765 S	4/1960	Gershen	D19/69	5,133,980 A	7/1992	Ream et al.	426/115
D188,519 S	8/1960	Gershen	D19/69	5,154,335 A	10/1992	Bredow et al.	225/40
D192,455 S	3/1962	Castelli	D19/69	D338,493 S	8/1993	Mead	D19/69
D192,835 S	5/1962	Wax	D19/69	5,294,068 A	3/1994	Baro et al.	242/55.53
3,035,345 A	5/1962	Barnard	30/124	5,496,603 A	3/1996	Riedel et al.	428/40
3,102,671 A	9/1963	Gershen	225/43	5,531,855 A	7/1996	Heinecke et al.	156/252
3,121,021 A	2/1964	Copeland	117/122	D379,474 S	5/1997	Packard	D19/69
3,216,634 A	11/1965	Lausa	225/19	5,631,073 A	5/1997	Riedel et al.	442/364
3,762,261 A	10/1973	Ekenberg	83/649	D380,777 S	7/1997	Packard	D19/69
4,060,444 A	11/1977	Schweig, Jr. et al.	156/391	5,679,190 A	10/1997	Riedel et al.	156/62.2
D260,368 S	8/1981	Dunshee et al.	D9/415	5,698,067 A	12/1997	Packard	156/577
4,630,765 A	12/1986	Samuelson et al.	225/96	D392,676 S	3/1998	Hsu	D19/69
4,700,835 A	10/1987	Rognsvoog, Jr.	206/411	5,735,400 A	4/1998	Packard	206/408
D295,424 S	4/1988	Porter	D19/67	5,849,325 A	12/1998	Heinecke et al.	424/443
					D416,582 S	11/1999	Dunshee et al.	D19/69

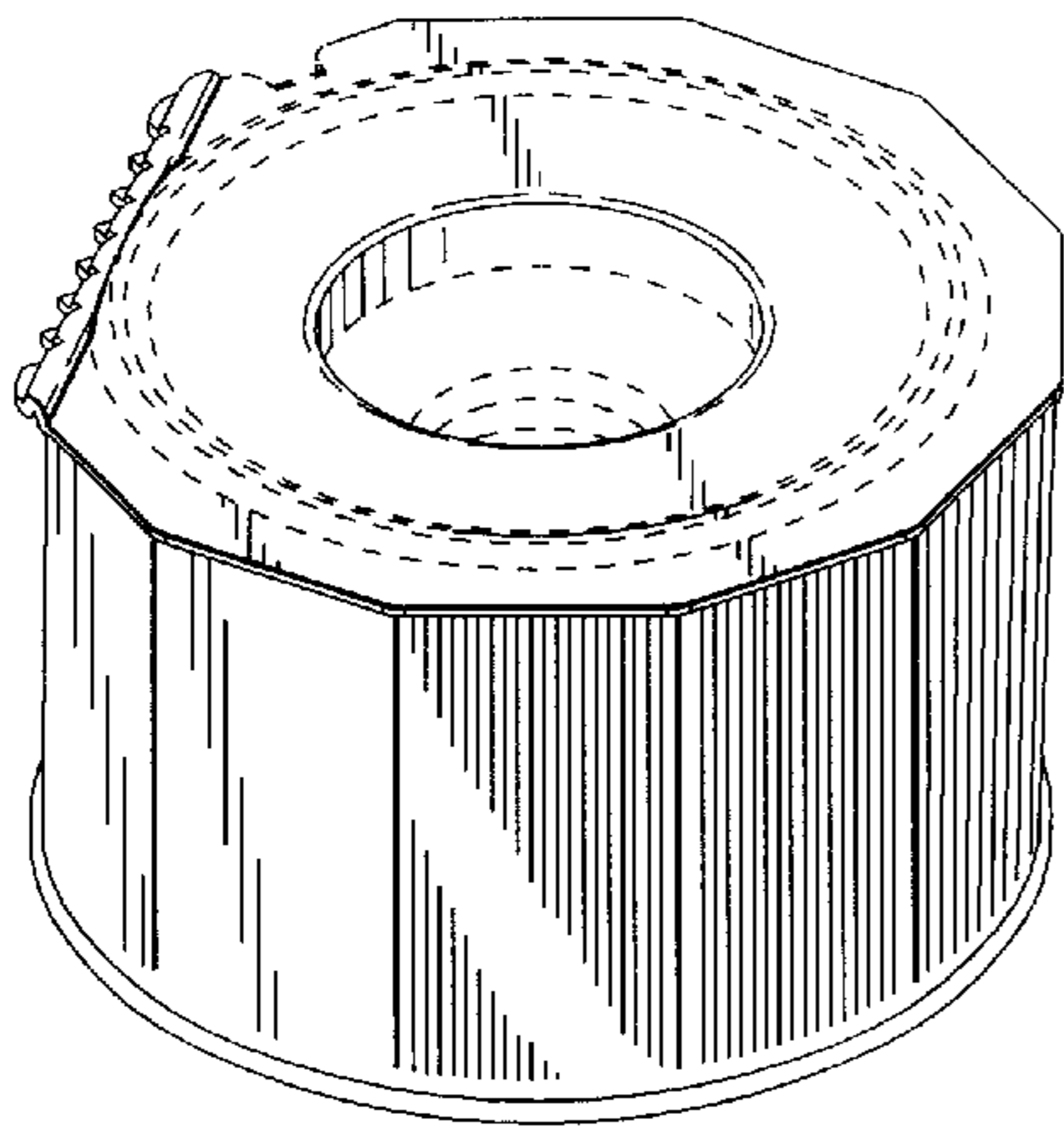


Fig. 1

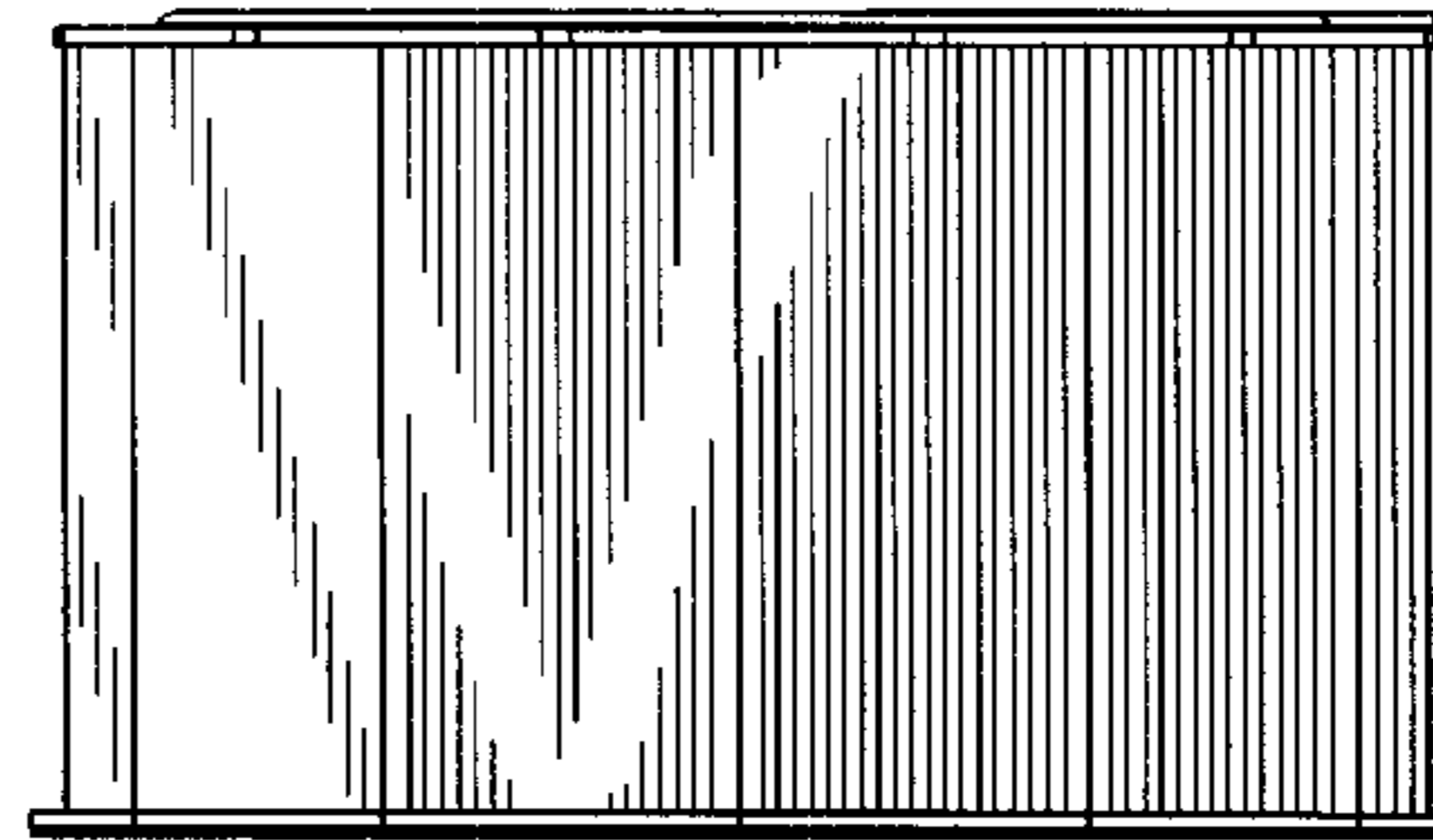


Fig. 3

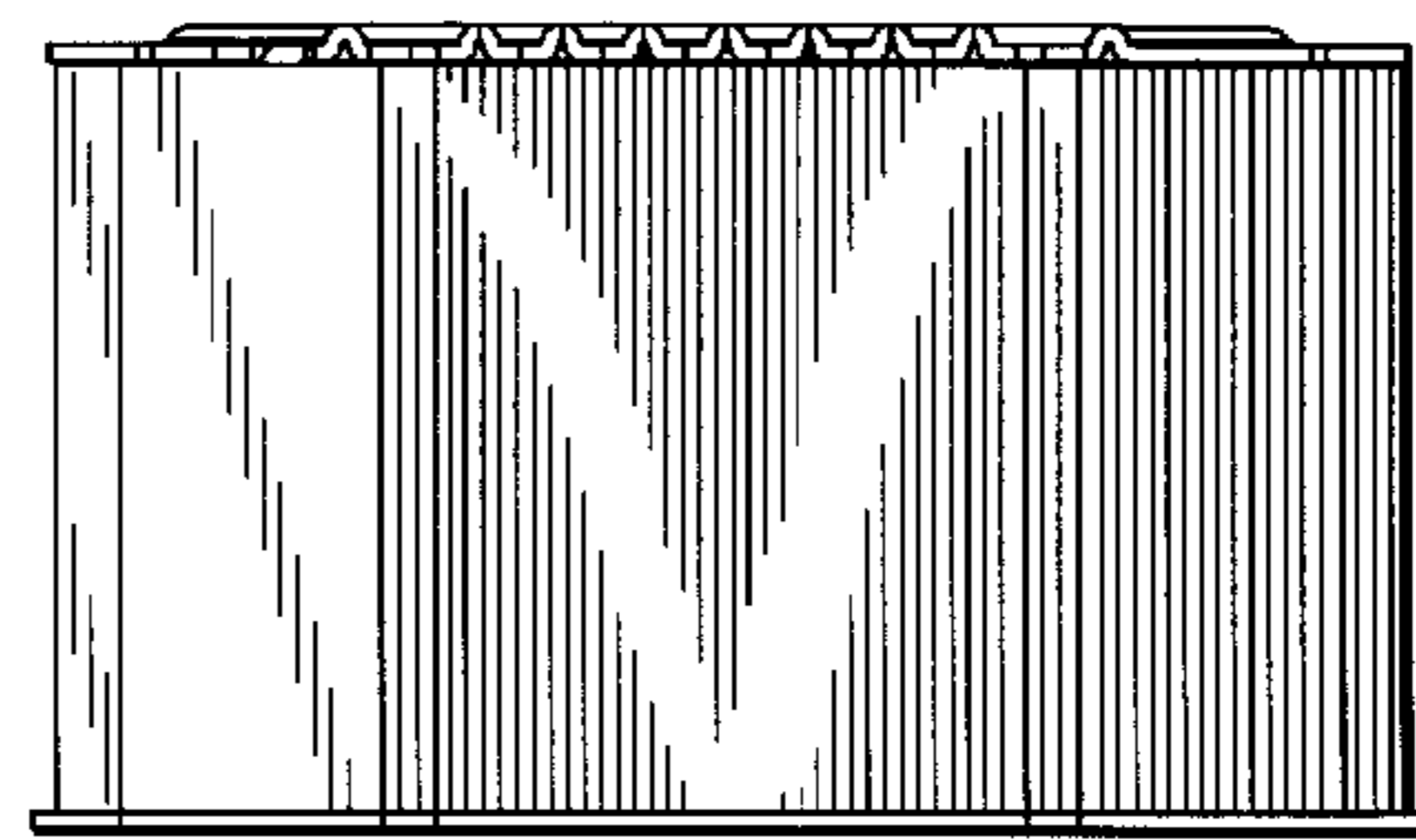


Fig. 4

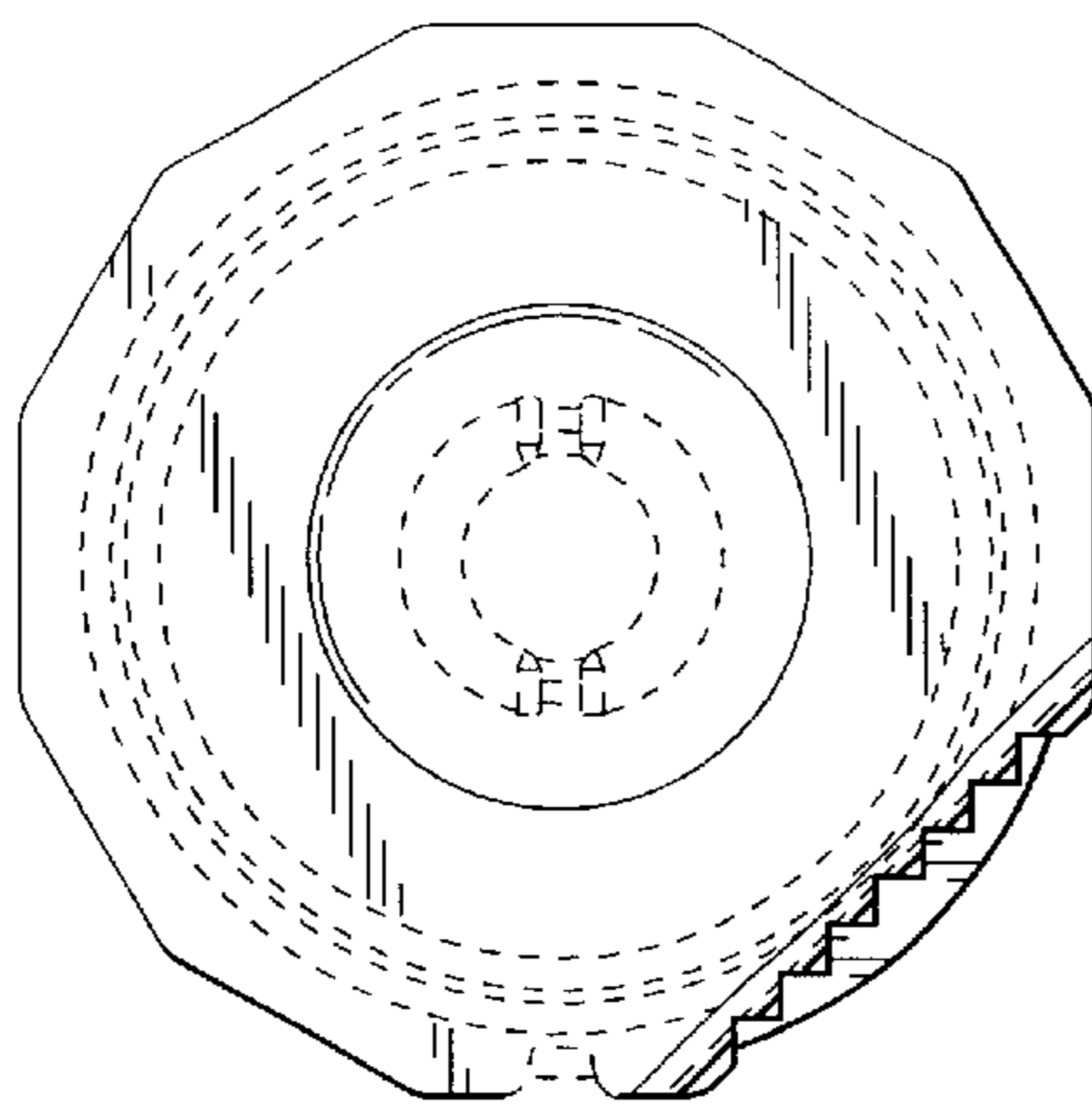


Fig. 2

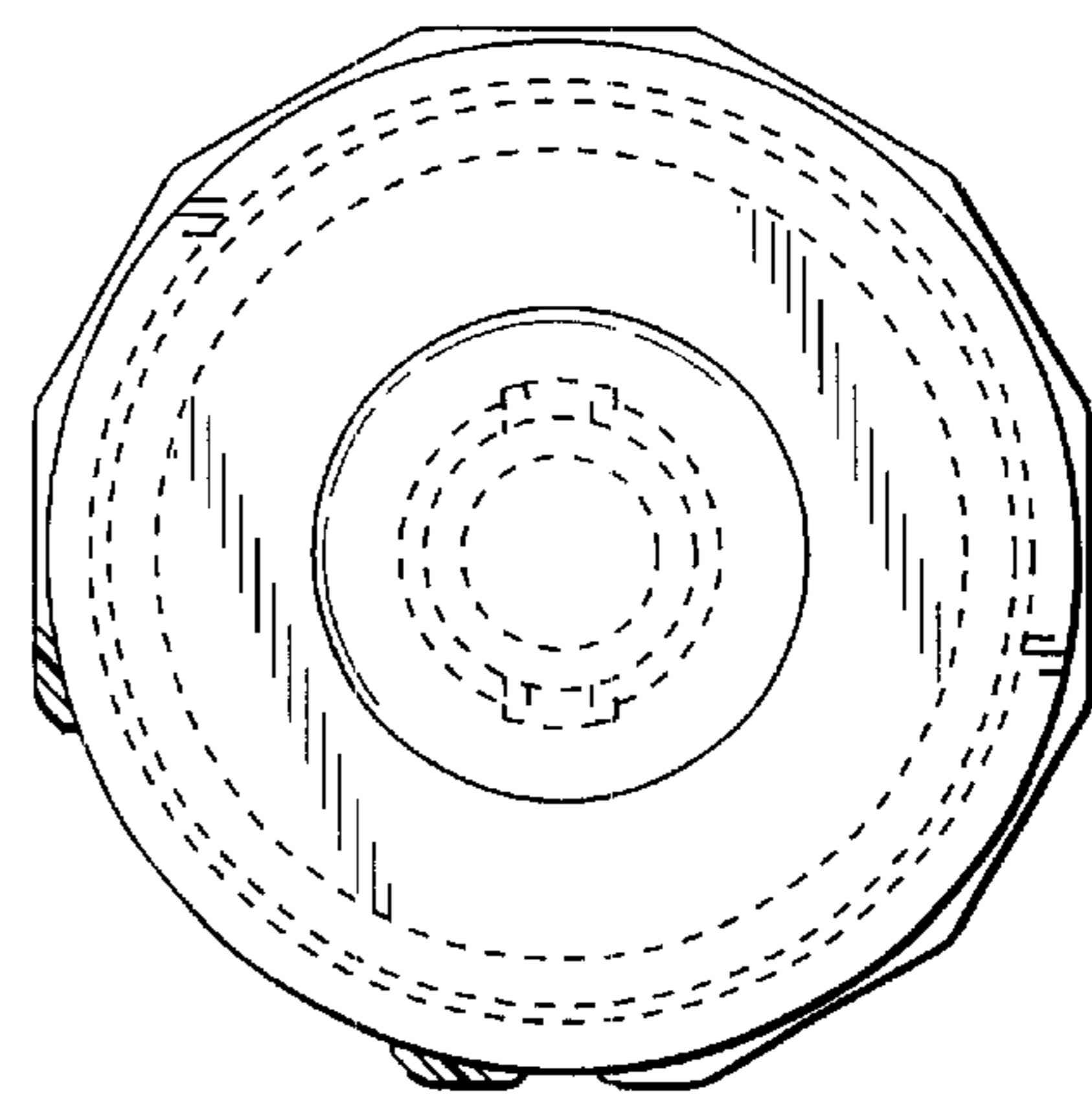


Fig. 5

UNITED STATES PATENT AND TRADEMARK OFFICE
CERTIFICATE OF CORRECTION

PATENT NO. : Des 456,449 S
DATED : April 30, 2002
INVENTOR(S) : Dunshee, Wayne K.

Page 1 of 1

It is certified that error appears in the above-identified patent and that said Letters Patent is hereby corrected as shown below:

Title page,

Item [75], under inventors, delete "**Wayne K. Dunshee; Joy A. Packard.** both of P.O. Box 33427, St. Paul, MN (US) 55133-3427" and insert thereof -- **Wayne K. Dunshee**, Maplewood, MN (US); **Joy A. Packard**, Somerset, WI (US) --

Signed and Sealed this

Twenty-seventh Day of August, 2002

Attest:

A handwritten signature in black ink, appearing to read "James E. Rogan", written over a horizontal line.

Attesting Officer

JAMES E. ROGAN
Director of the United States Patent and Trademark Office