



US00D456446S

(12) **United States Design Patent**
Carrese et al.

(10) **Patent No.: US D456,446 S**

(45) **Date of Patent: ** Apr. 30, 2002**

(54) **PORTION OF AN INK TANK**

D448,798 S * 10/2001 Shimizu et al. D18/56
D449,335 S * 10/2001 Giles et al. D18/56

(75) Inventors: **Edward M. Carrese; Hiep Nguyen**,
both of Rochester; **Eric A. Merz;**
Bruce A. LaPlant, both of Webster;
Richard B. Butts; Douglas J.
Baxendell, both of Rochester; **Dennis**
M. Lengyel, Hemlock; **David P.**
Breemes, Palmyra, all of NY (US)

* cited by examiner

Primary Examiner—Cathy Anne MacCormac
(74) *Attorney, Agent, or Firm*—Oliff & Berridge, PLC

(73) Assignee: **Xerox Corporation**, Stamford, CT
(US)

(57) **CLAIM**

The ornamental design for a portion of an ink tank, as shown
and described.

(**) Term: **14 Years**

DESCRIPTION

(21) Appl. No.: **29/145,404**

FIG. 1 is a top perspective view of a portion of an ink tank
according to a first embodiment of the invention;
FIG. 2 is an enlarged top perspective view of a portion of
FIG. 1;
FIG. 3 is a top view thereof;
FIG. 4 is a bottom plan view thereof;
FIG. 5 is a bottom perspective view thereof also showing a
left side view thereof;
FIG. 6 is a left-side view of FIG. 1;
FIG. 7 is a front view thereof;
FIG. 8 is a bottom perspective view of a second embodi-
ment;
FIG. 9 is a top perspective view of a third embodiment;
FIG. 10 is a top view thereof;
FIG. 11 is a bottom plan view thereof;
FIG. 12 is a bottom perspective view thereof;
FIG. 13 is an enlarged bottom perspective view thereof;
FIG. 14 is a front view thereof; and,
FIG. 15 is an enlarged top perspective view of a fourth
embodiment.

(22) Filed: **Jul. 24, 2001**

Related U.S. Application Data

(62) Division of application No. 29/126,348, filed on Jul. 14,
2000, now Pat. No. Des. 448,797.

(51) **LOC (7) Cl.** **18-02**
(52) **U.S. Cl.** **D18/56**
(58) **Field of Search** D18/43, 56; 347/86,
347/87

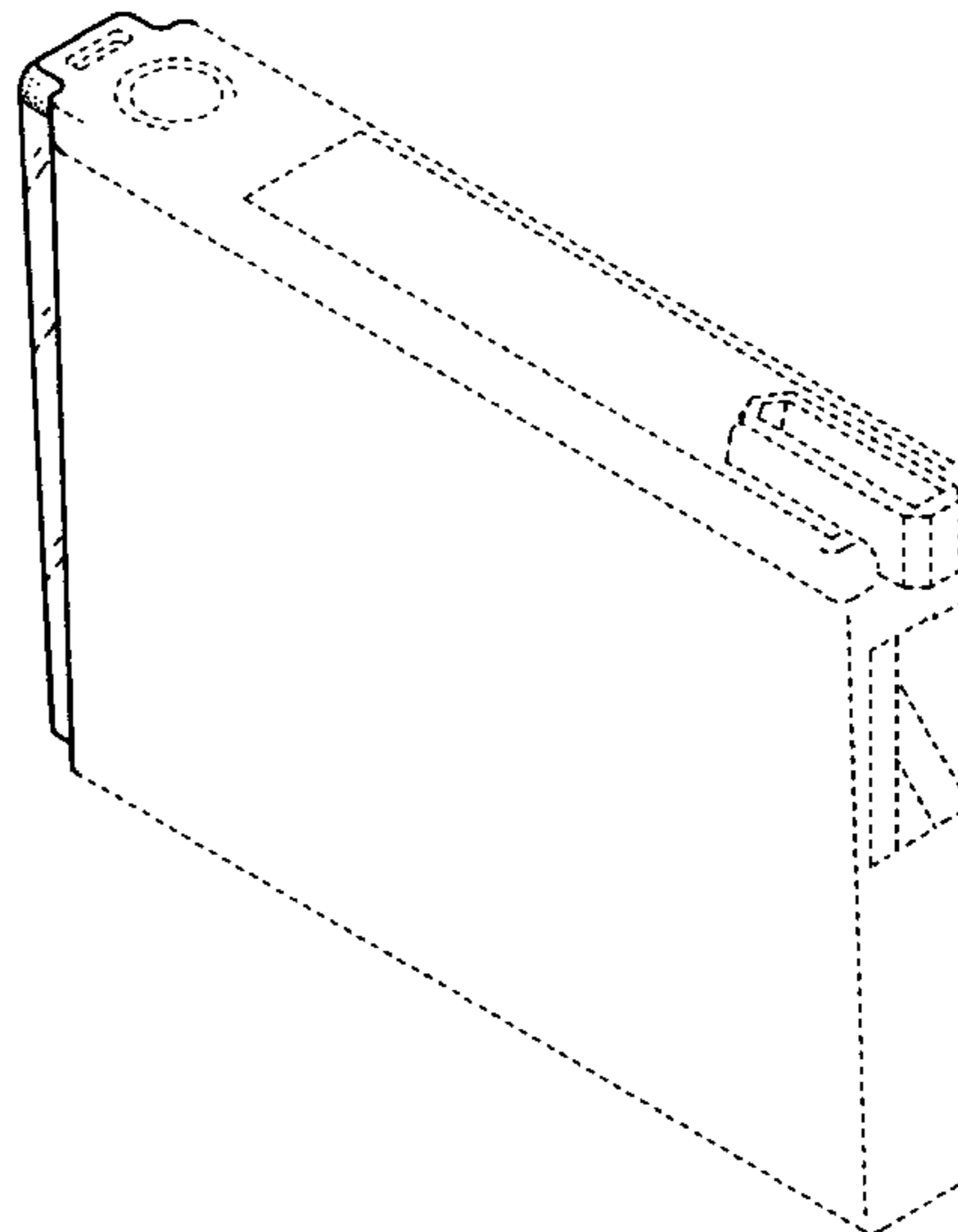
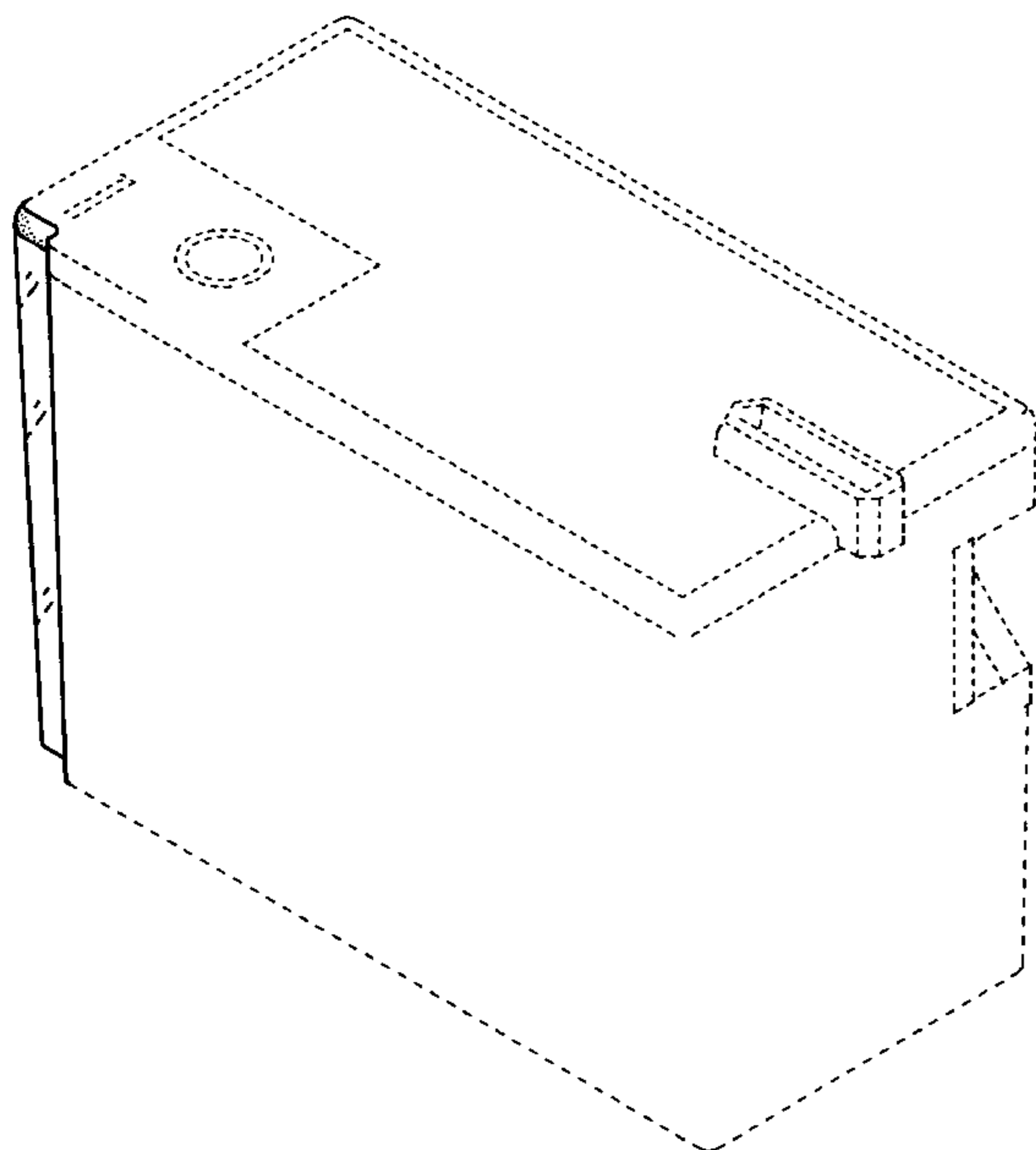
The inside features of the portion of an ink tank have no
ornamentality. In addition, the broken lines define the
bounds of the claimed design but do not form part of the
claimed design.

(56) **References Cited**

U.S. PATENT DOCUMENTS

5,875,615 A	3/1999	Ito et al.
D407,746 S	4/1999	Fujii et al.
D409,236 S	5/1999	Fujii et al.
D419,592 S	1/2000	Nakazawa et al.
D423,564 S	4/2000	Canfield et al.
D423,568 S	4/2000	Inoue et al.
D424,612 S	5/2000	Inoue et al.
D425,110 S	5/2000	Dietl et al.
D430,600 S	9/2000	Murcia et al.

1 Claim, 15 Drawing Sheets



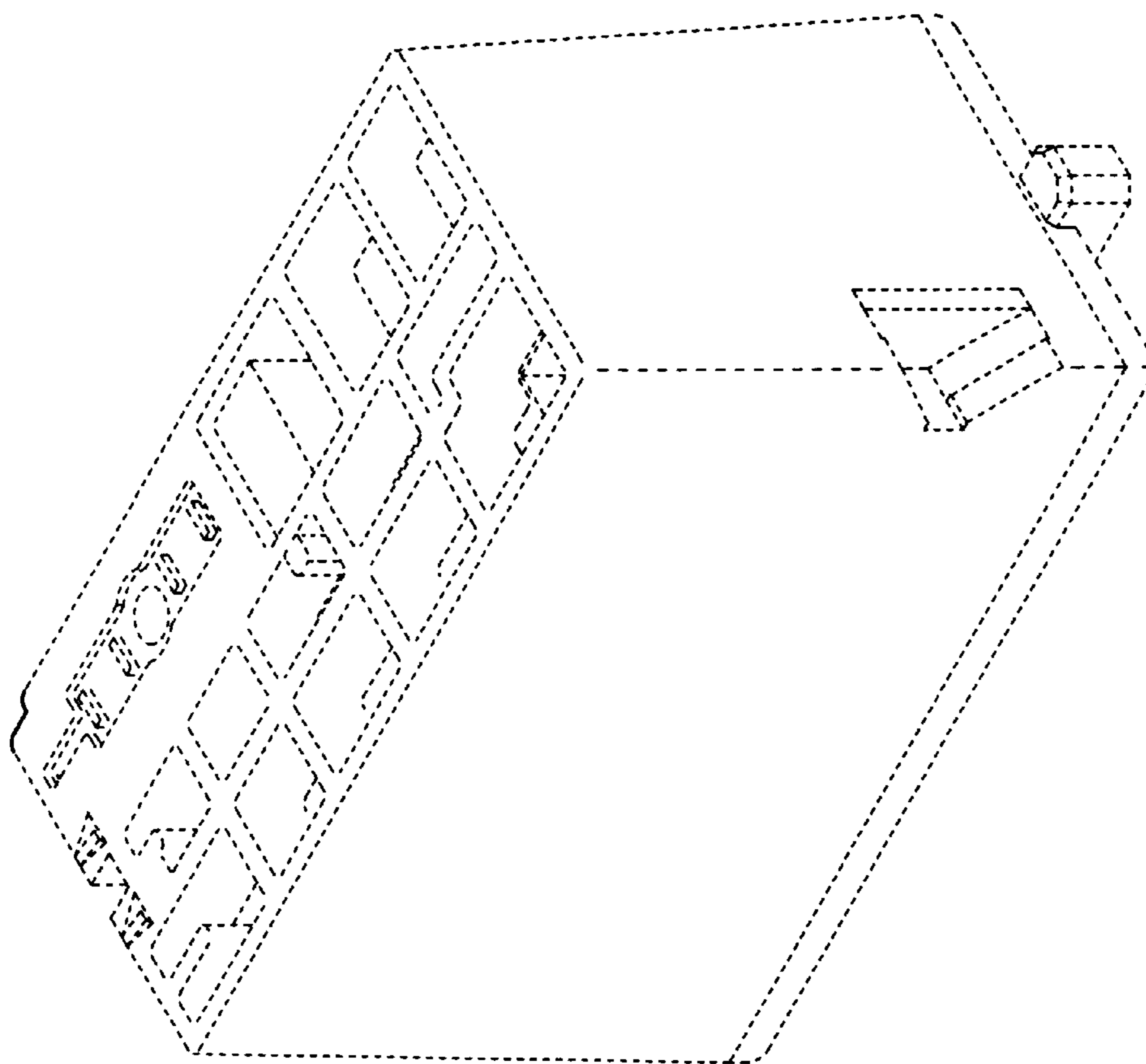


Fig. 1

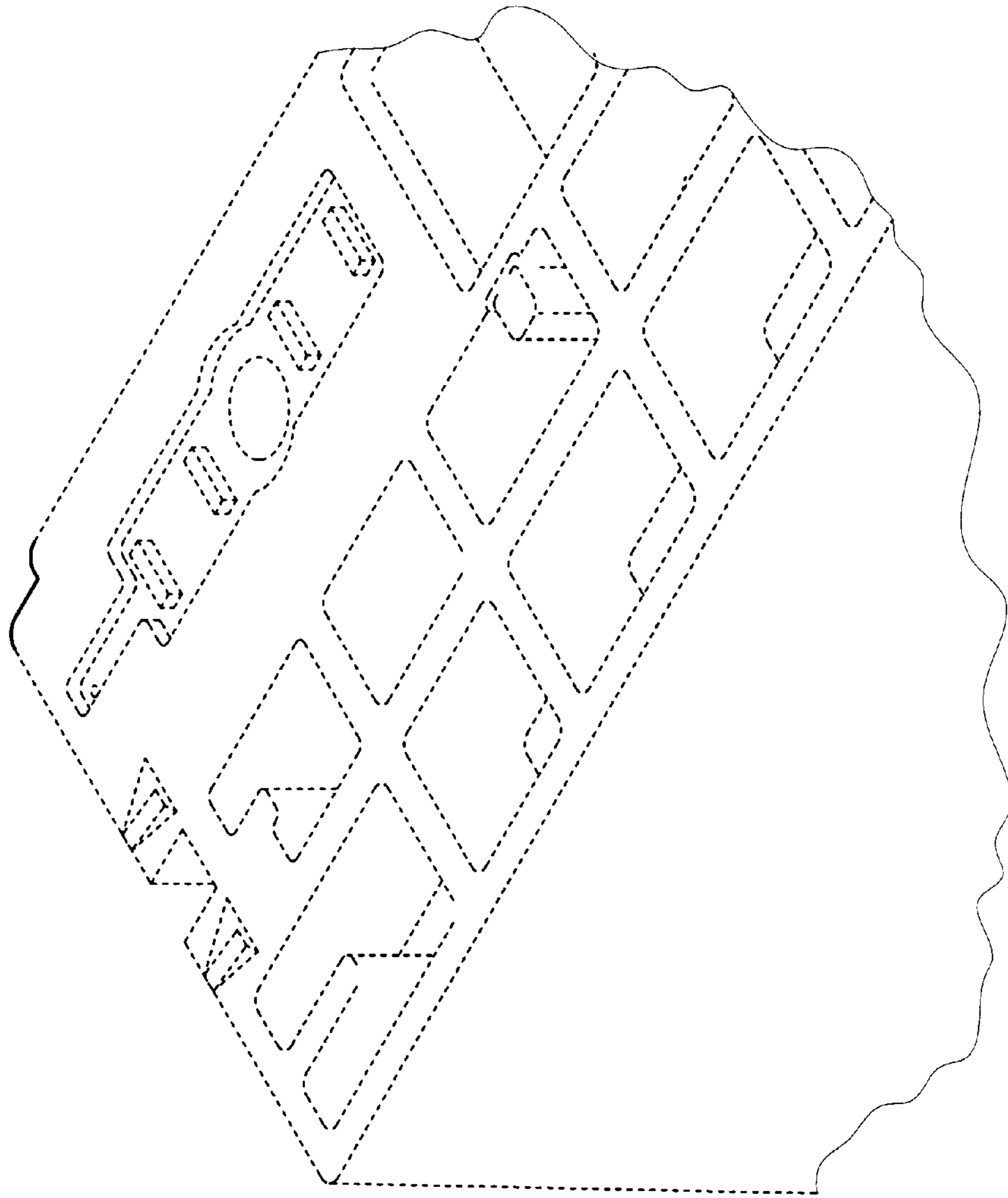


Fig. 2

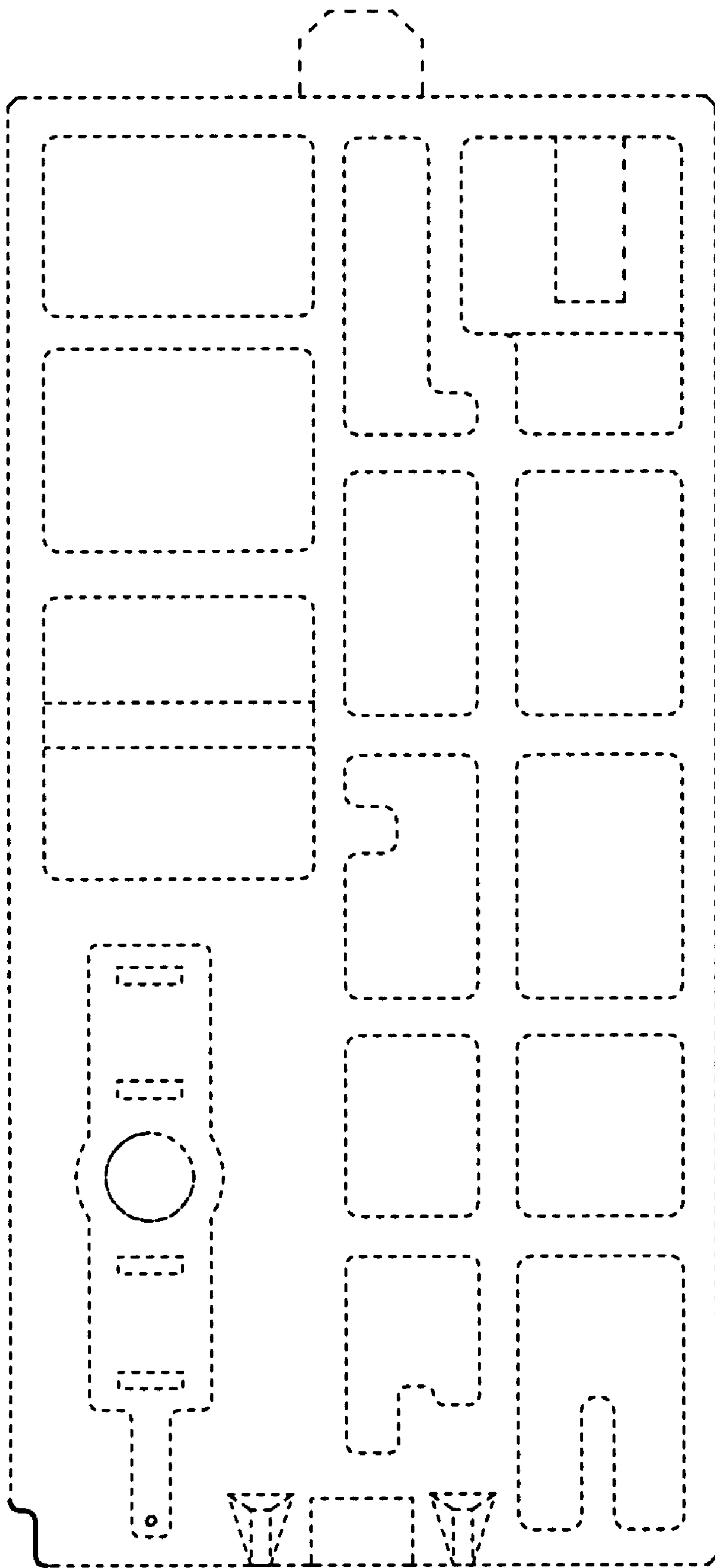


Fig. 3

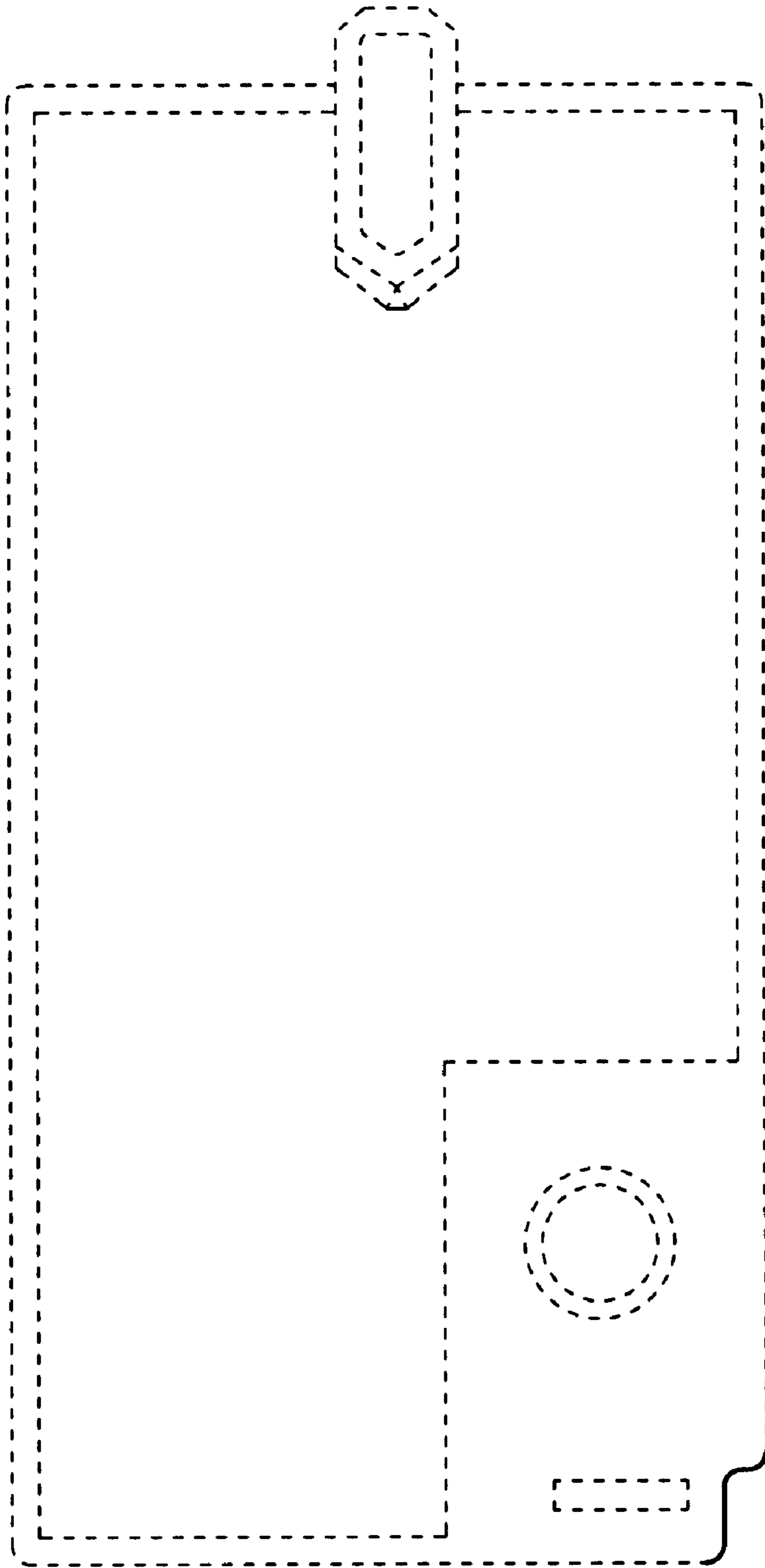


Fig. 4

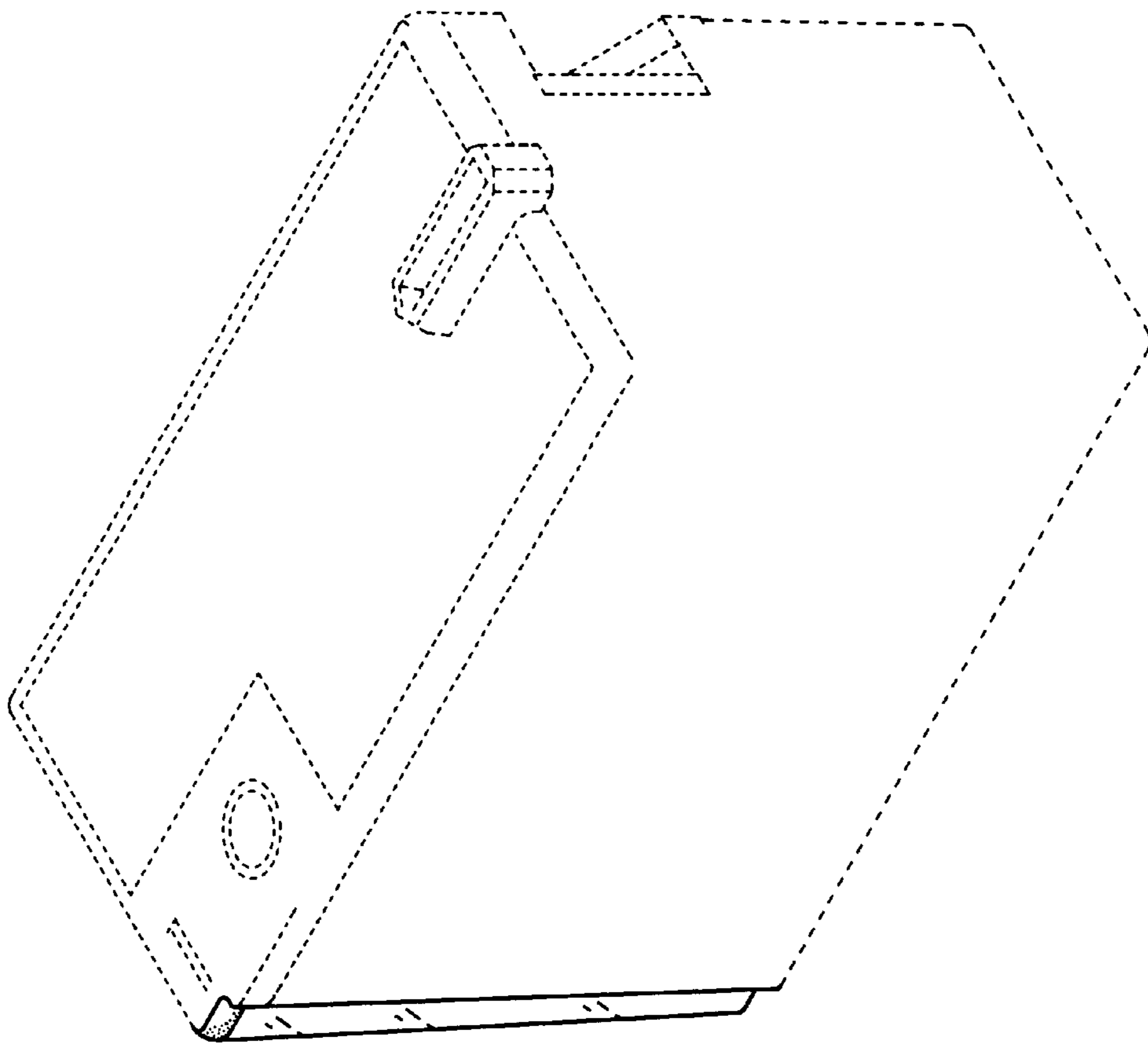


Fig. 5

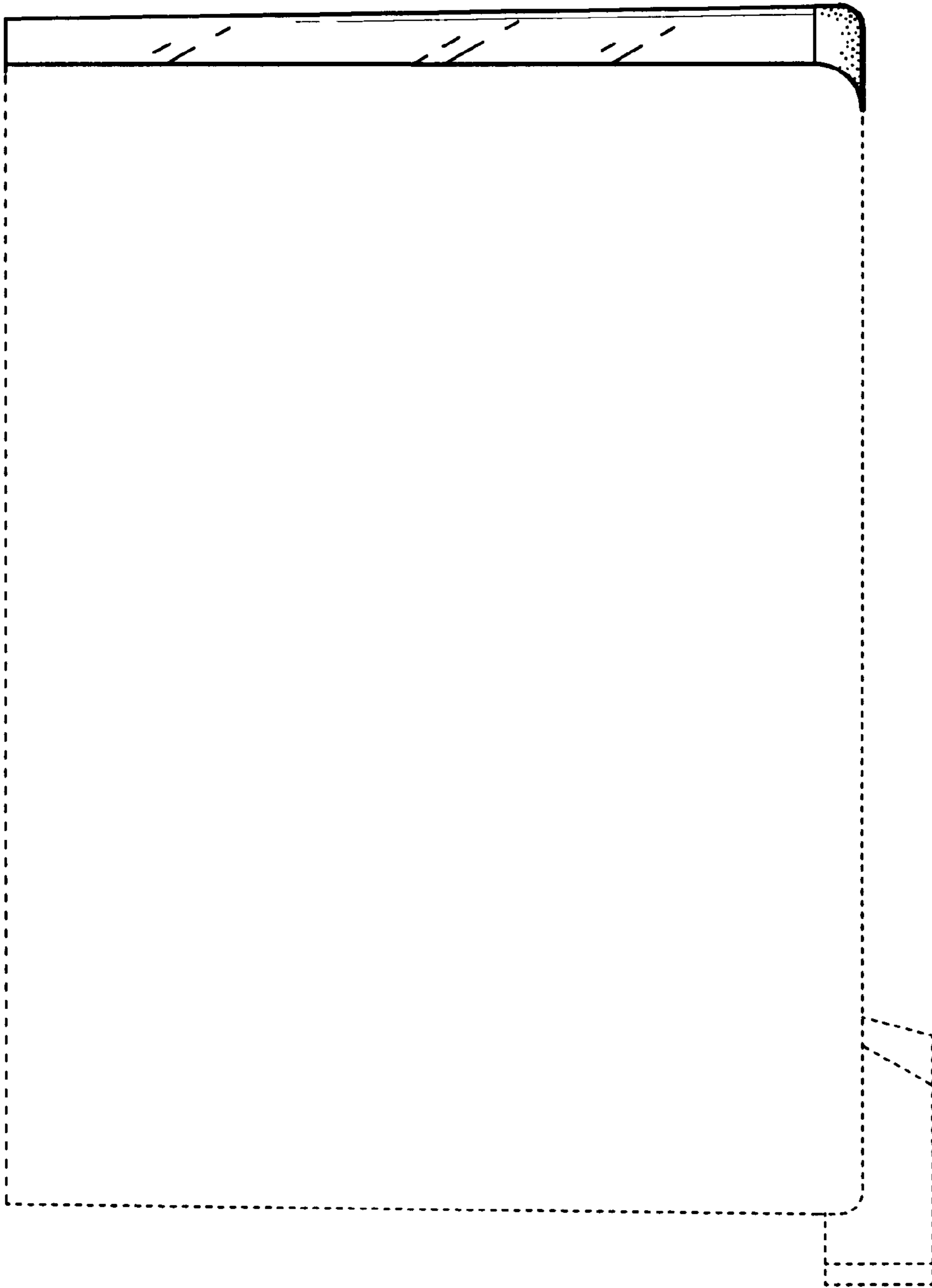


Fig. 6

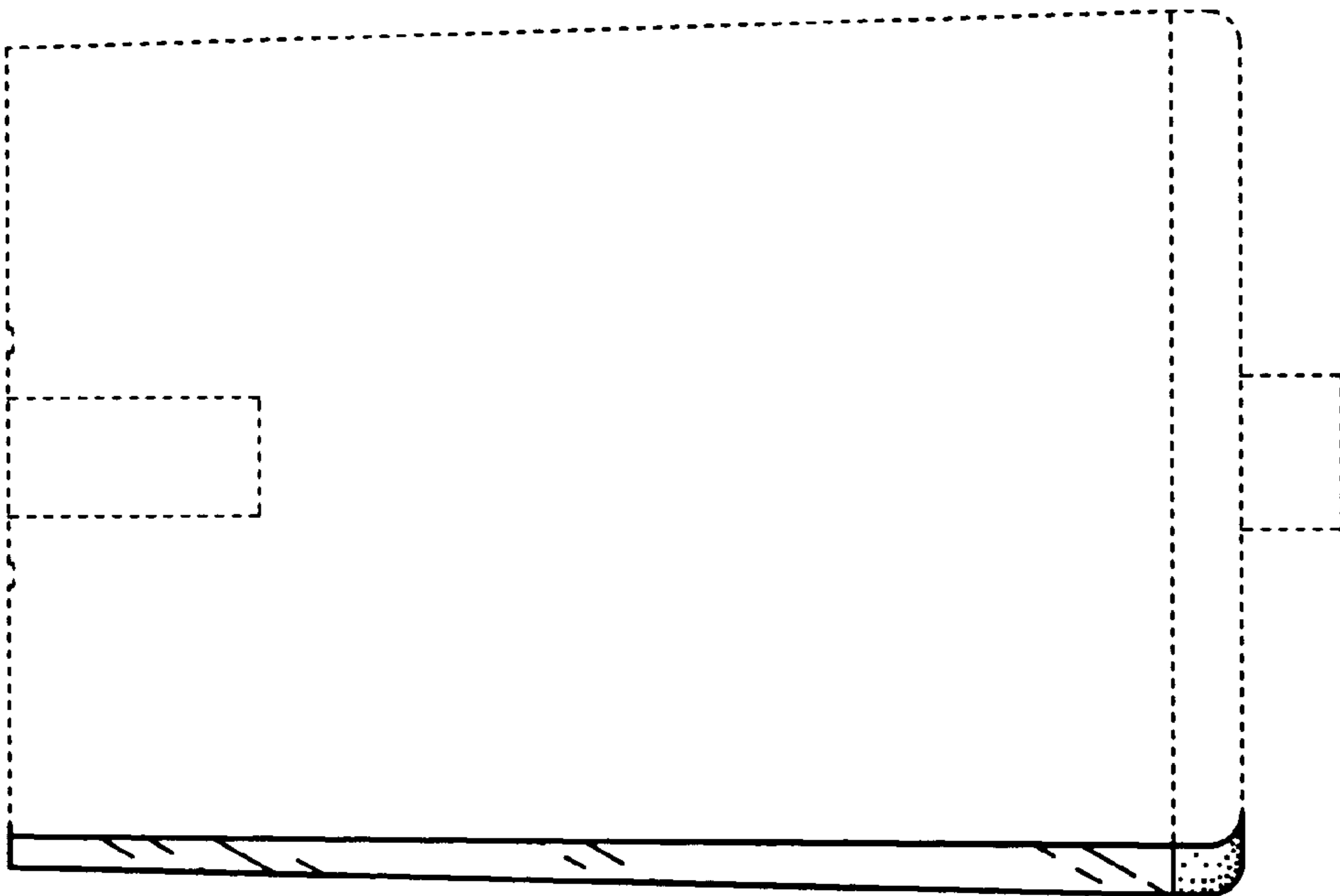


Fig. 7

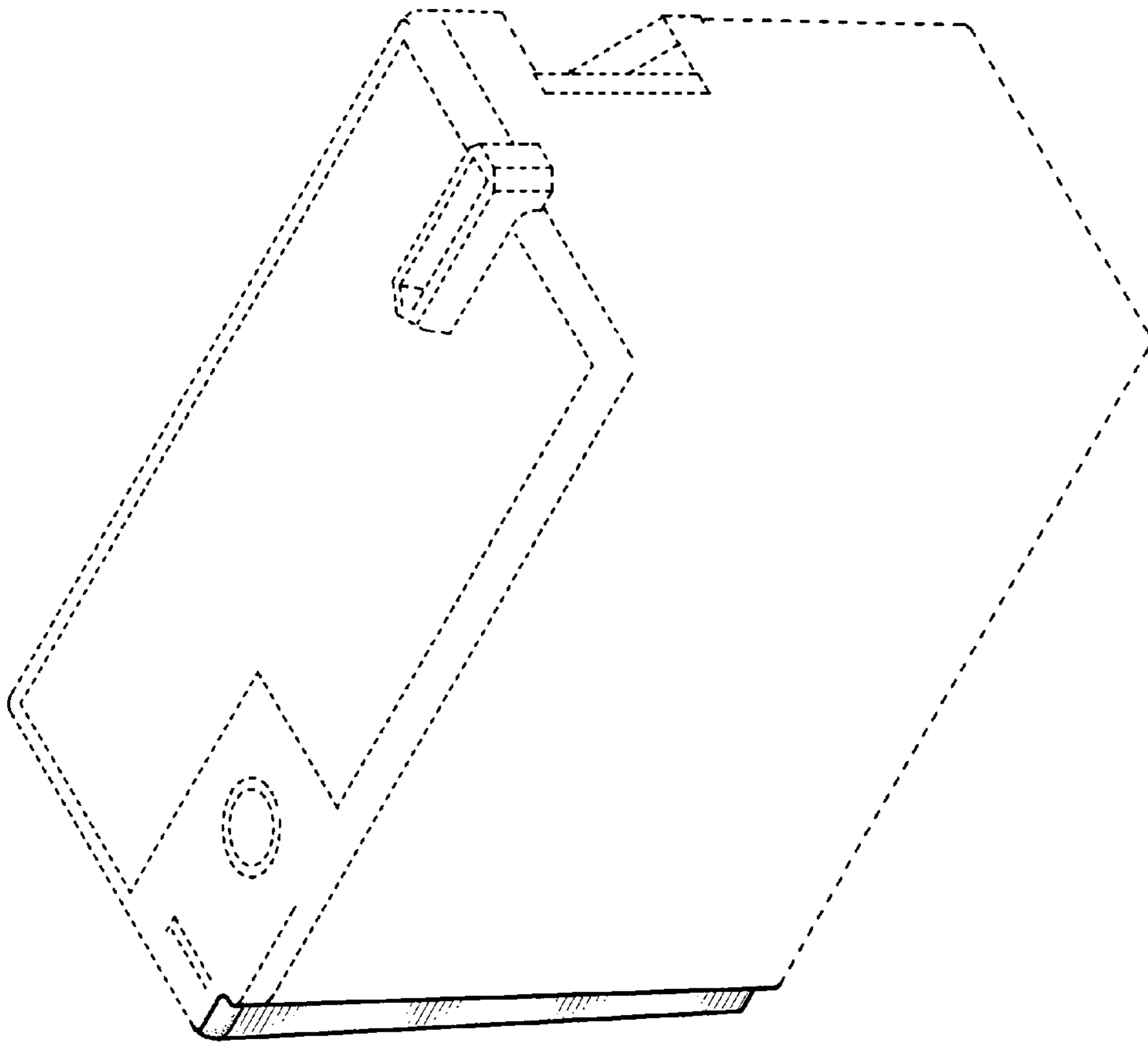


Fig. 8

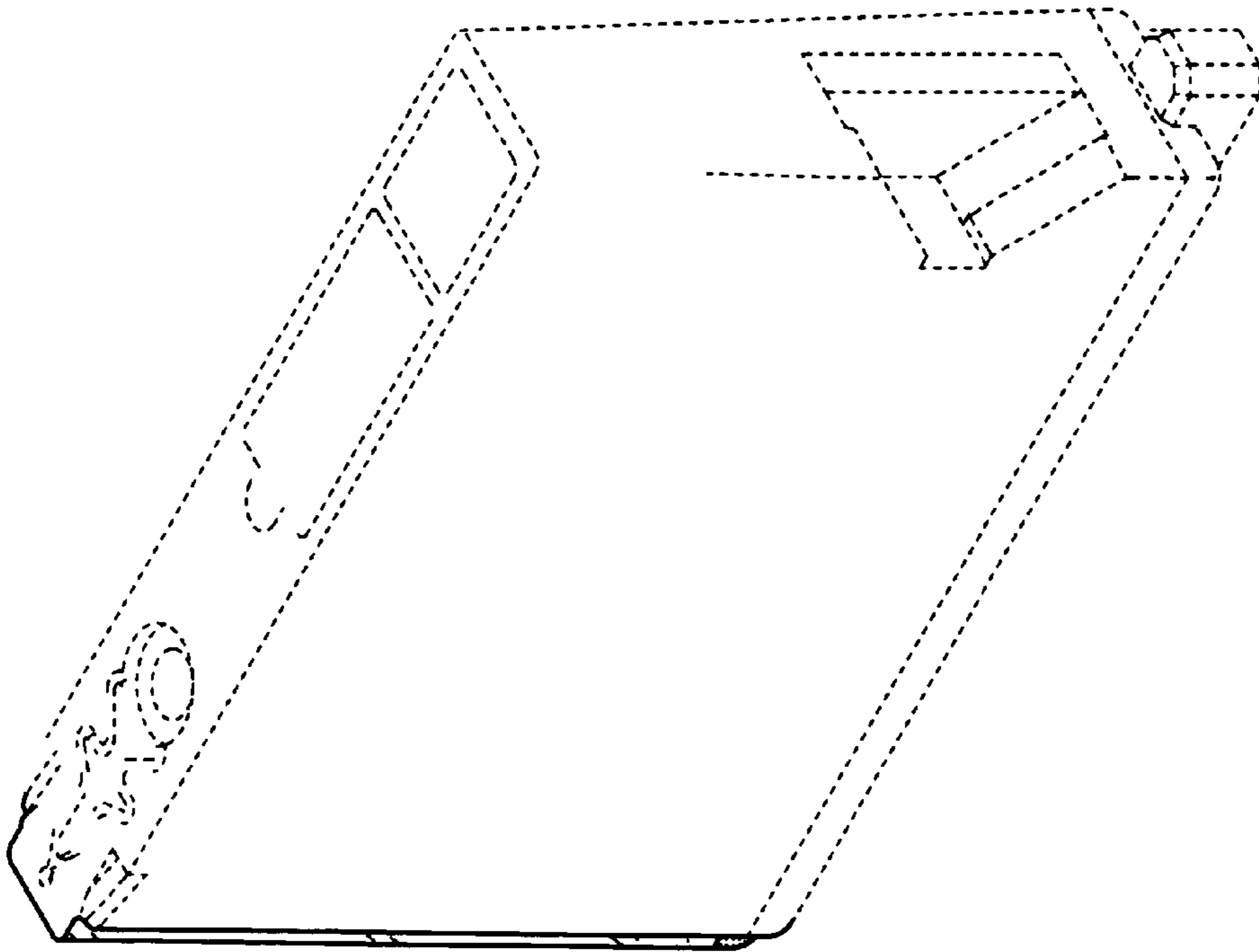


Fig. 9

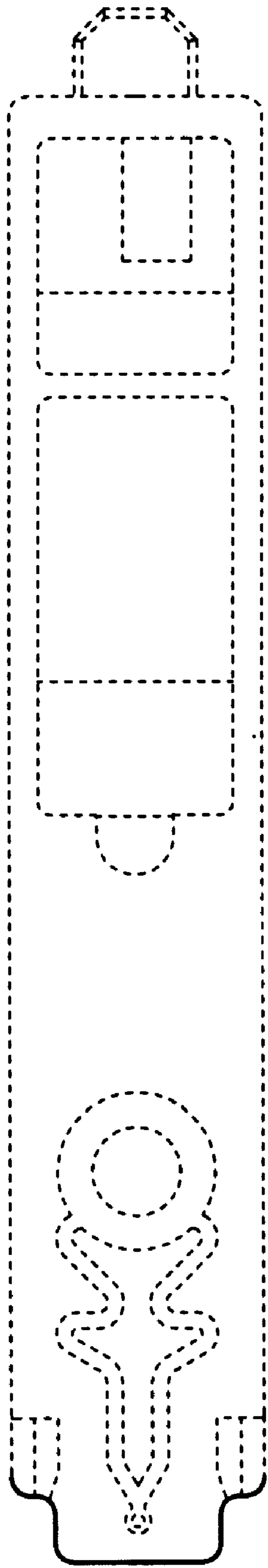


Fig. 10

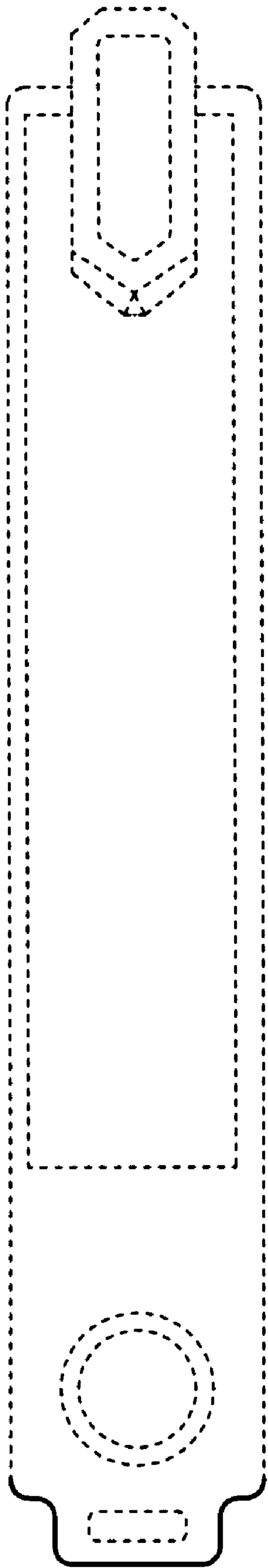


Fig. 11

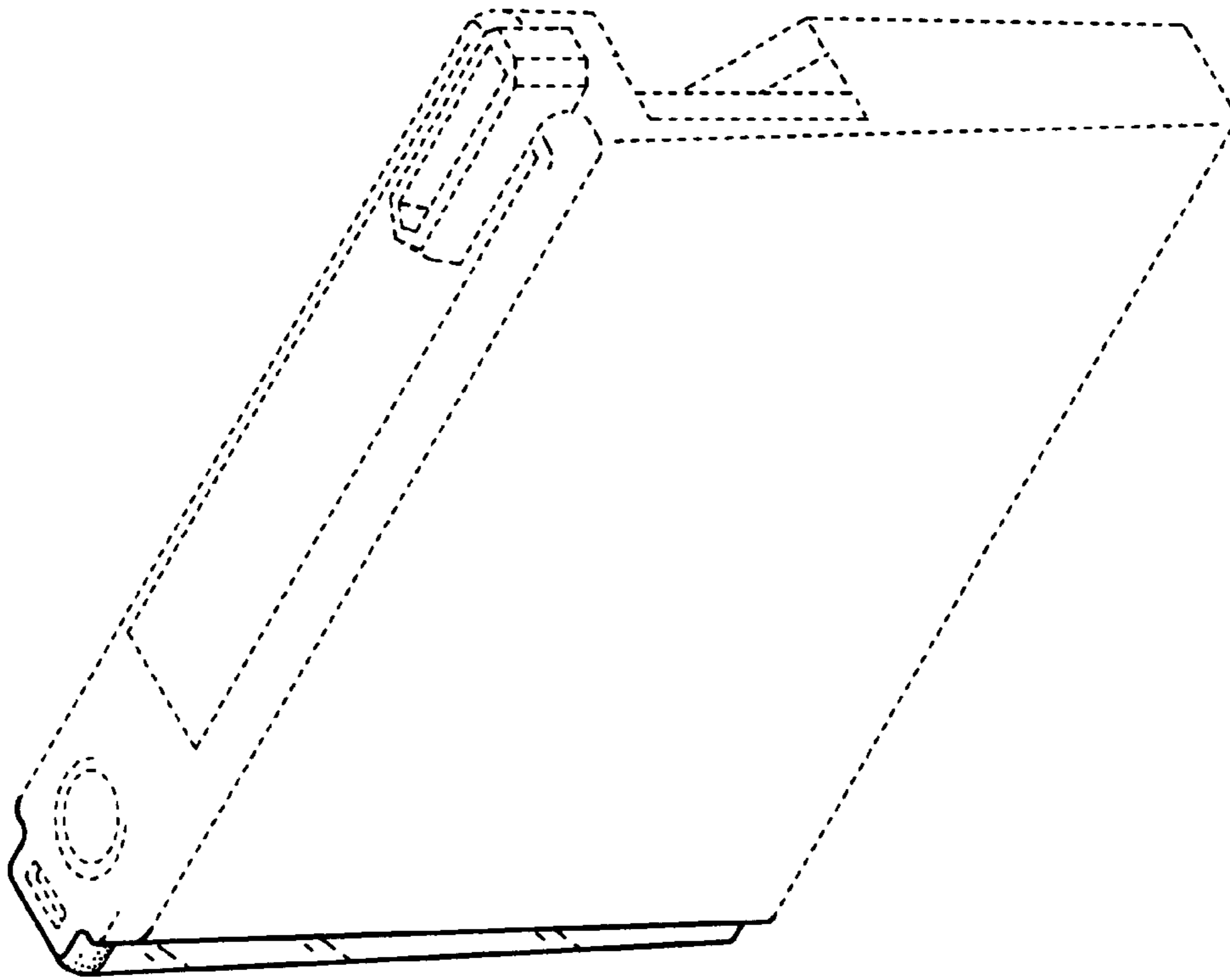


Fig. 12

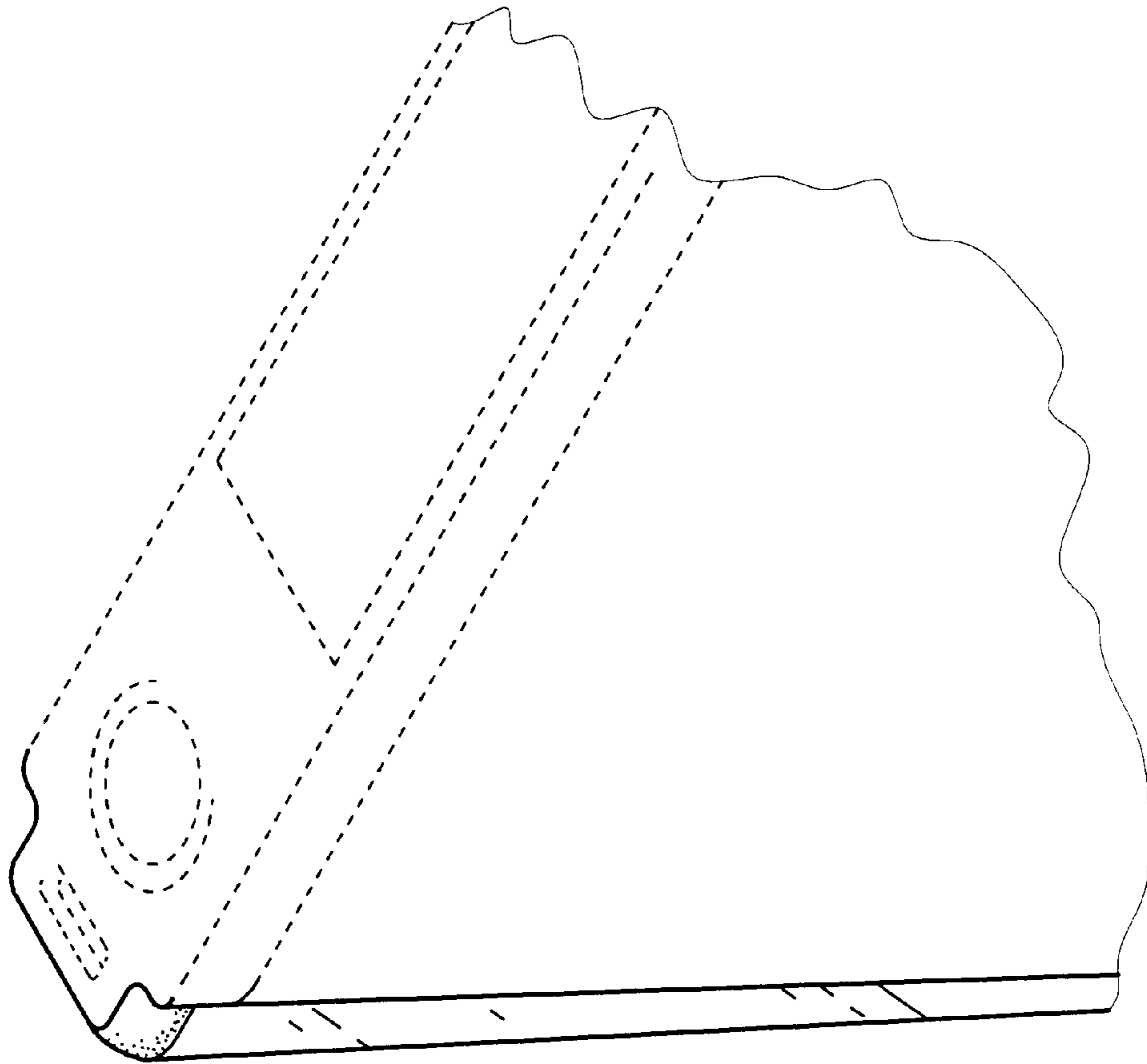


Fig. 13

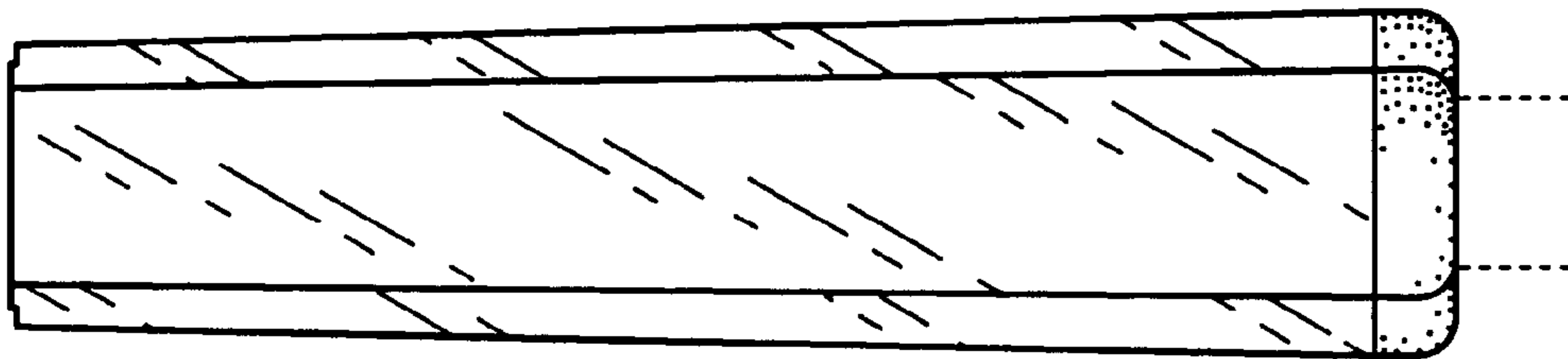


Fig. 14

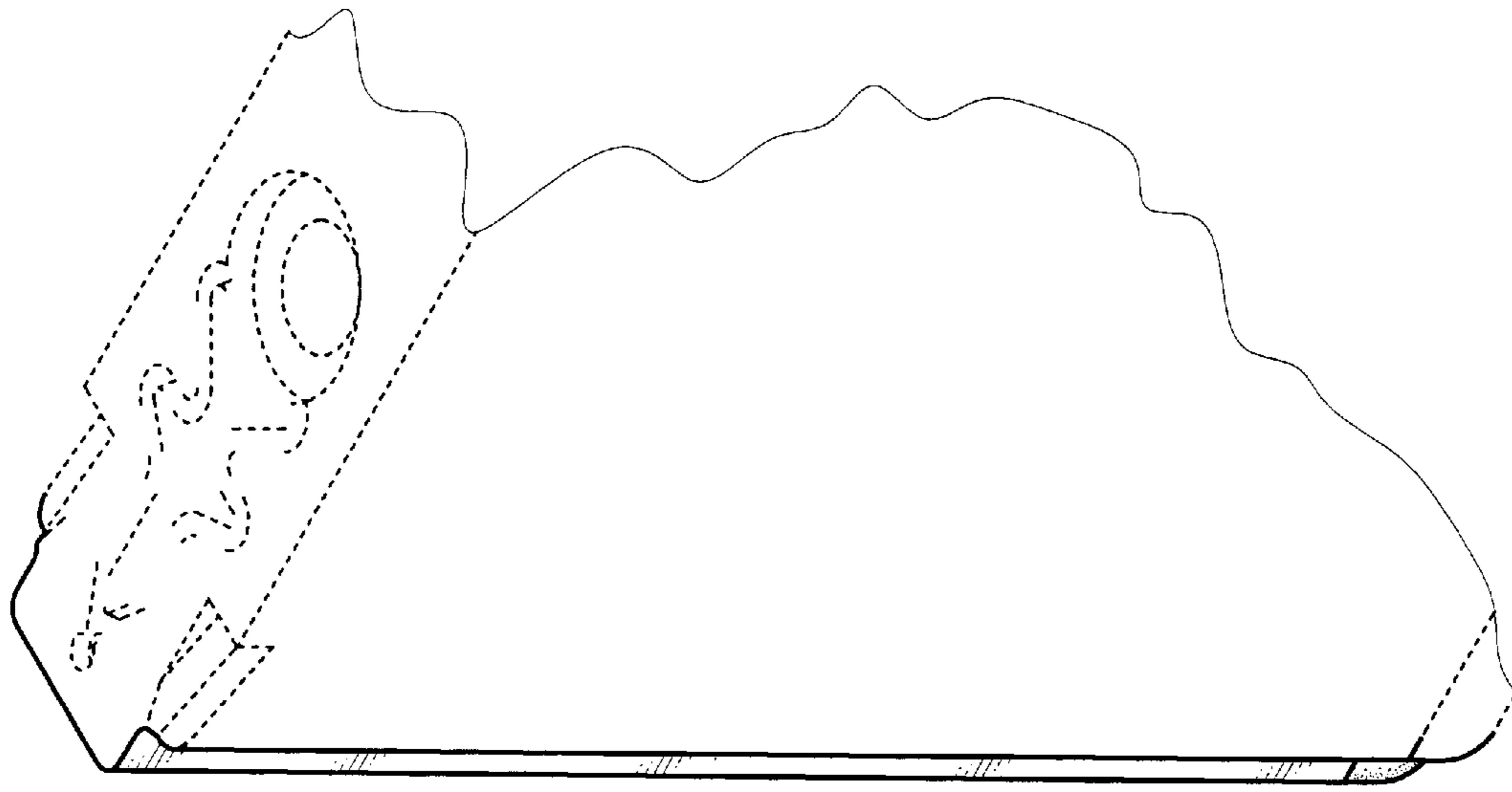


Fig. 15