



US00D456444S

(12) **United States Design Patent**
Falk et al.

(10) **Patent No.:** **US D456,444 S**

(45) **Date of Patent:** **** Apr. 30, 2002**

(54) **DOCUMENT PRINTER**

(75) Inventors: **Kevin Lloyd Falk**, Boise, ID (US);
Carlos Garnier Ortiz; **Claudia Santillan Figueroa**, both of Jalisco (MX); **Angelo Michael LaBarbera**, Eagle, ID (US)

(73) Assignee: **Hewlett-Packard Company**, Palo Alto, CA (US)

(**) Term: **14 Years**

(21) Appl. No.: **29/141,047**

(22) Filed: **Apr. 27, 2001**

(51) **LOC (7) Cl.** **14-02**

(52) **U.S. Cl.** **D18/53; D18/36**

(58) **Field of Search** **D18/36-39, 53-56; 399/1-7, 81, 130; 355/97**

(56) **References Cited**

U.S. PATENT DOCUMENTS

D354,304 S * 1/1995 Ishibashi et al. D18/36

D390,256 S * 2/1998 Shibata D18/39
D423,558 S * 4/2000 Takimura D18/39
D438,890 S * 3/2001 Takimura D18/39
D439,271 S * 3/2001 Takimura D18/39

* cited by examiner

Primary Examiner—Caron D. Veynar

(57) **CLAIM**

The ornamental design for a document printer, as shown.

DESCRIPTION

FIG. 1 is a perspective view of a document printer showing the new design;

FIG. 2 is a top view thereof;

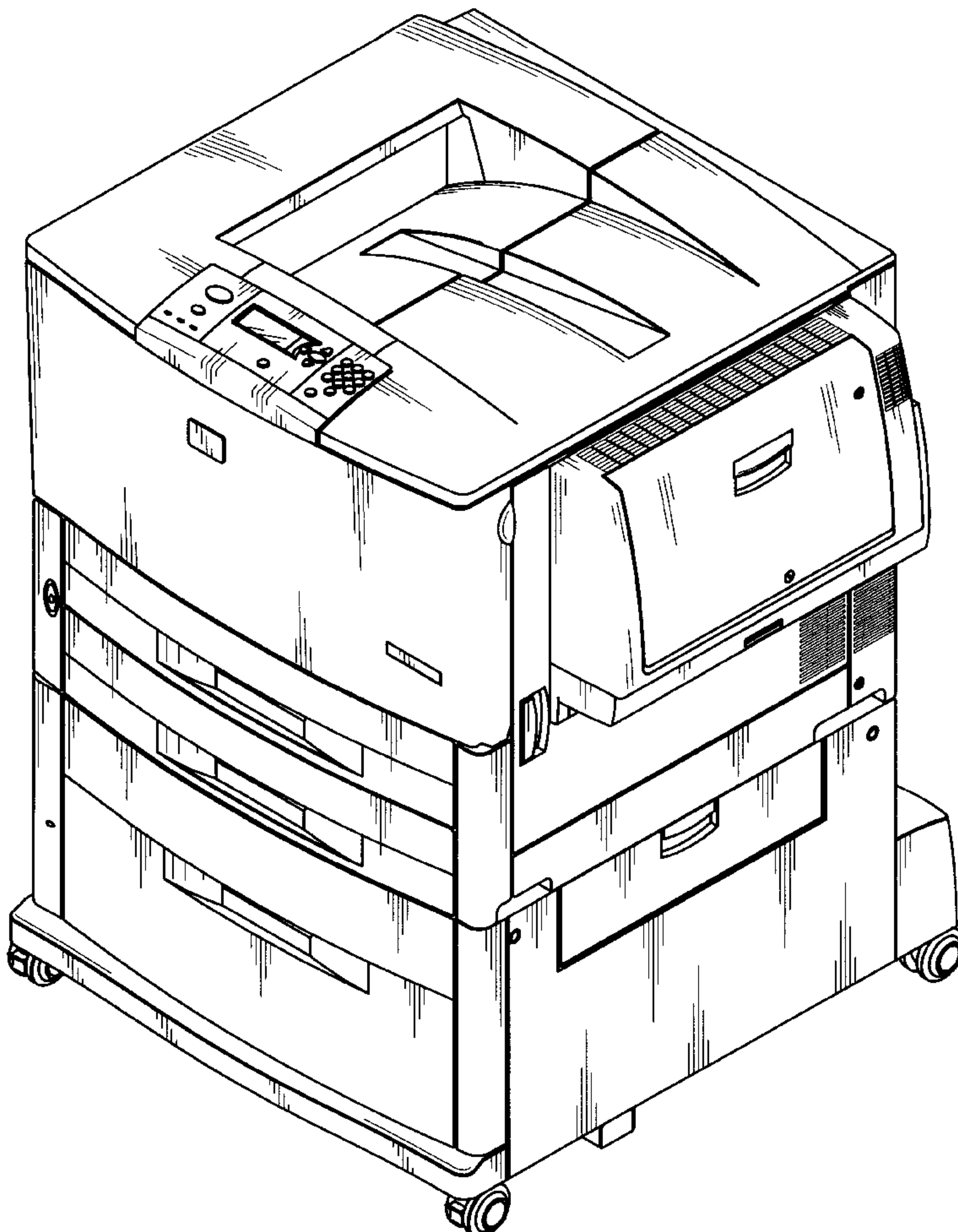
FIG. 3 is a front view thereof;

FIG. 4 is a left side view thereof;

FIG. 5 is a right side view thereof; and,

FIG. 6 is a rear view thereof.

1 Claim, 6 Drawing Sheets



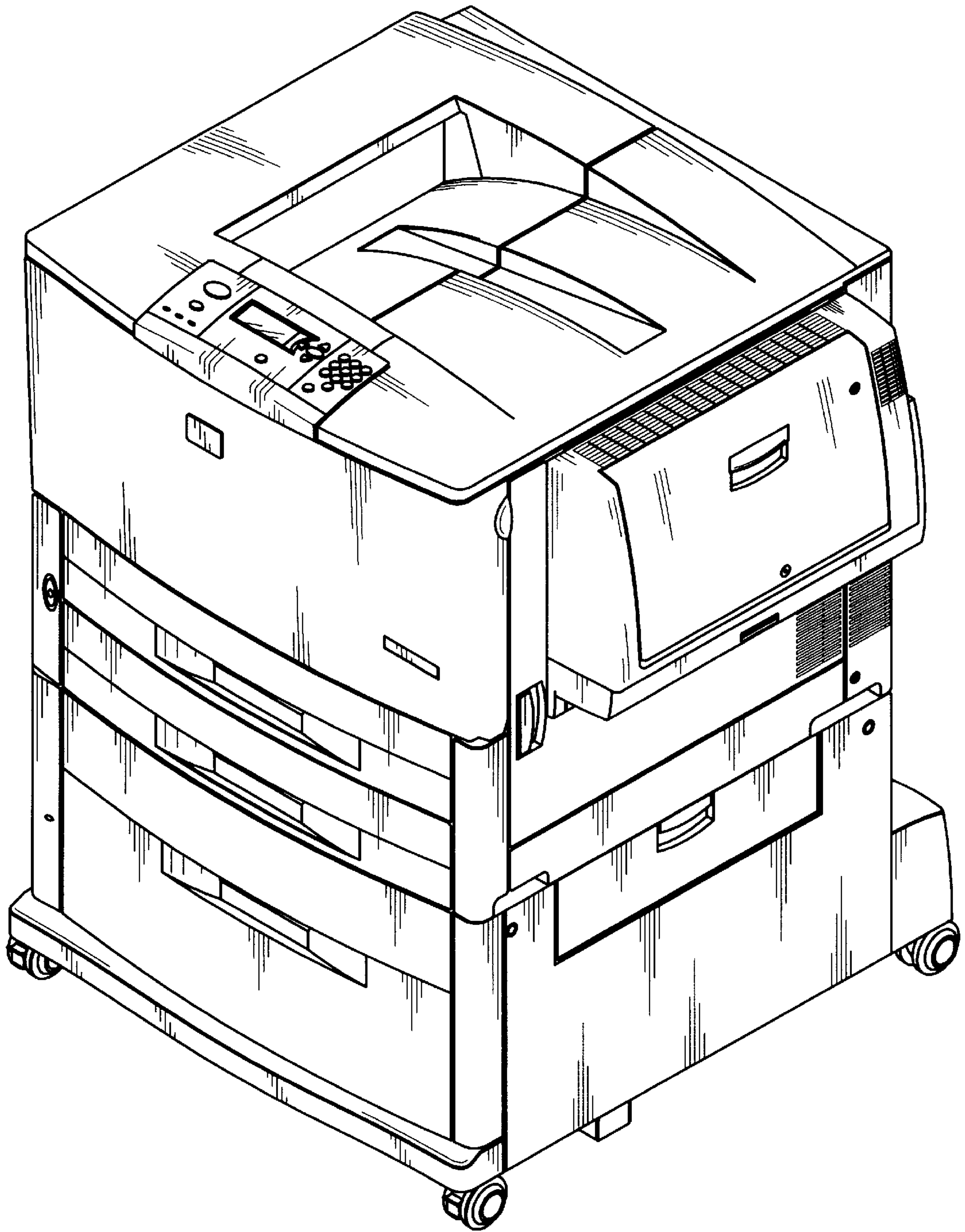


FIG. 1

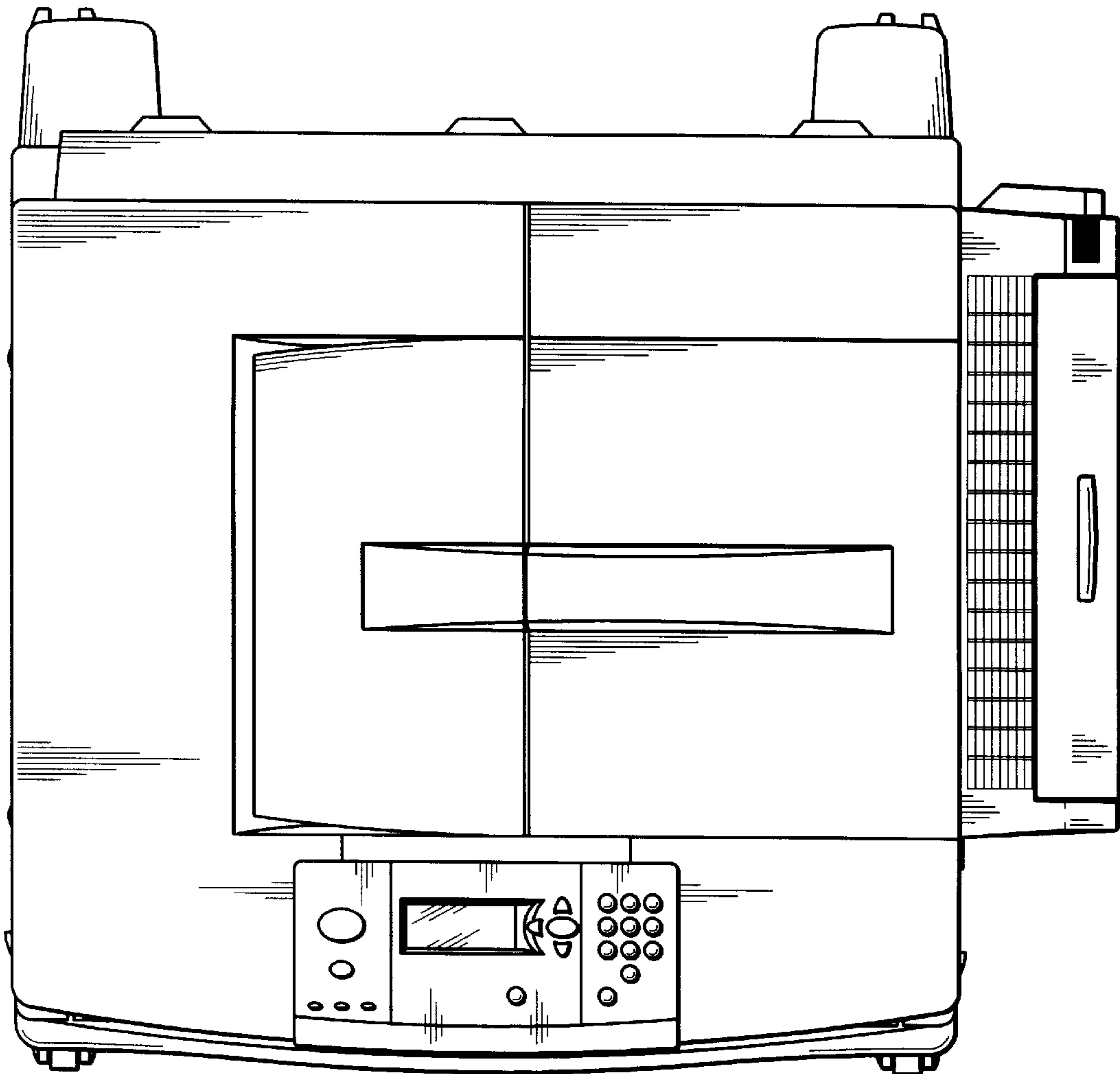


FIG. 2

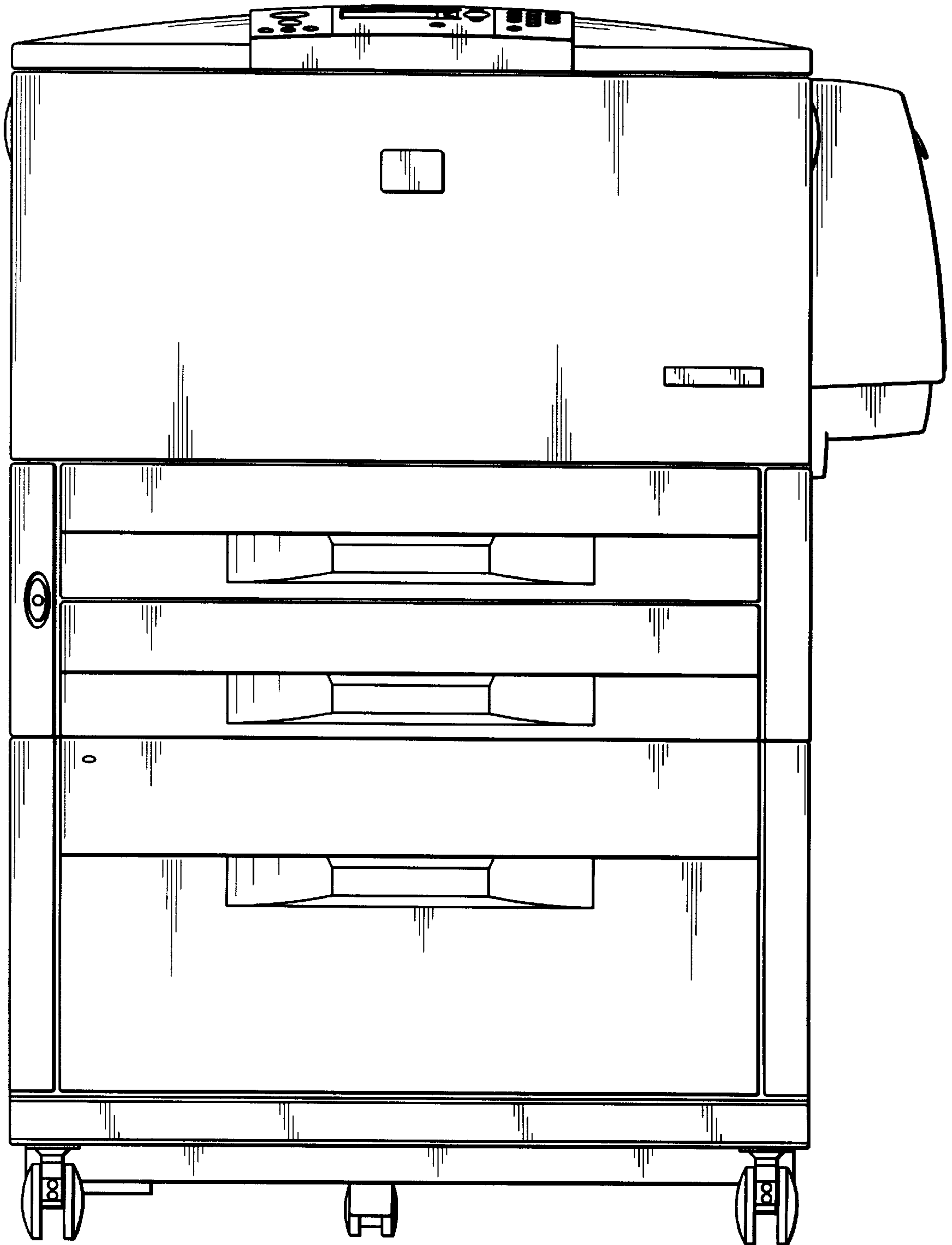


FIG. 3

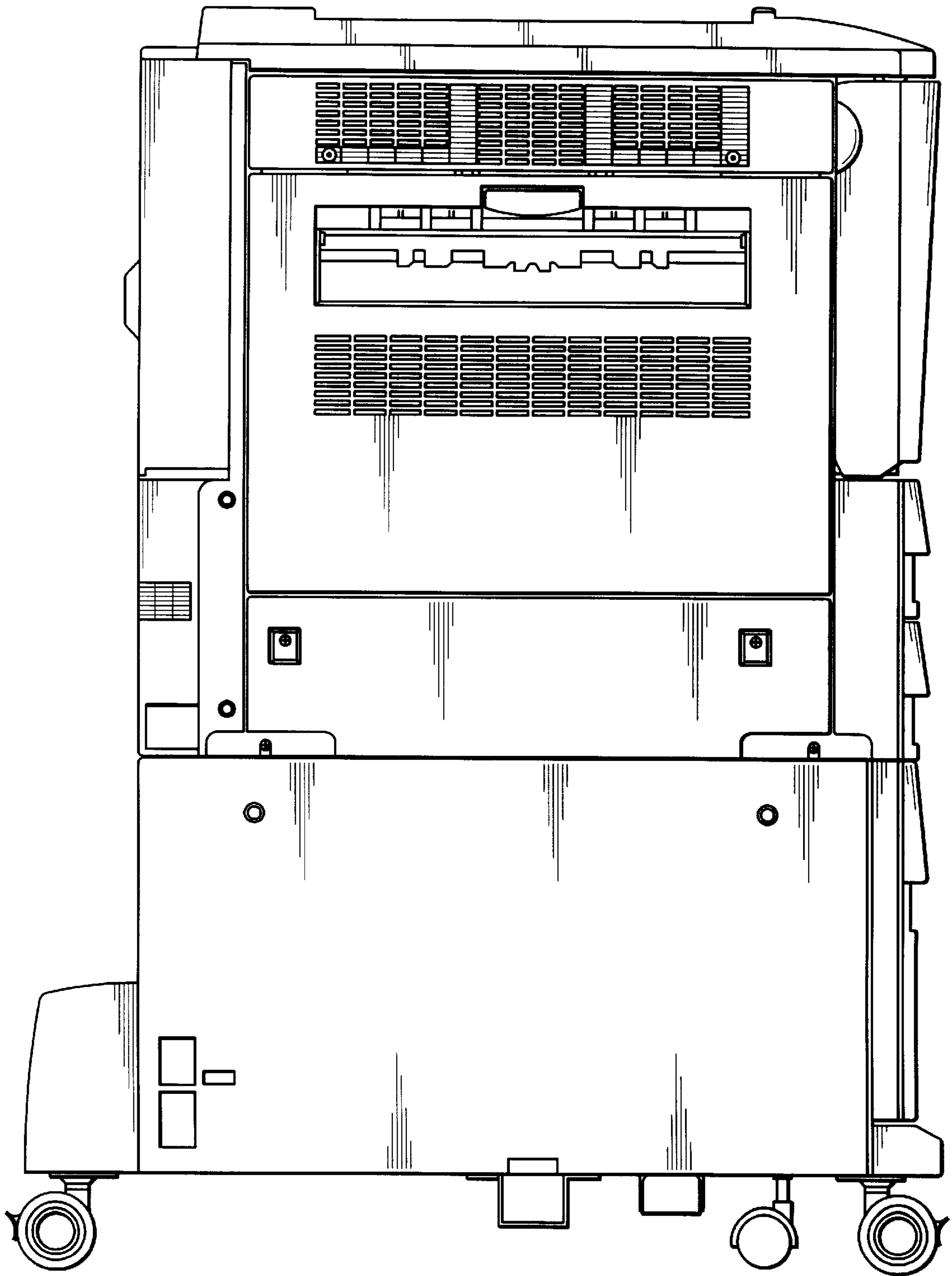


FIG. 4

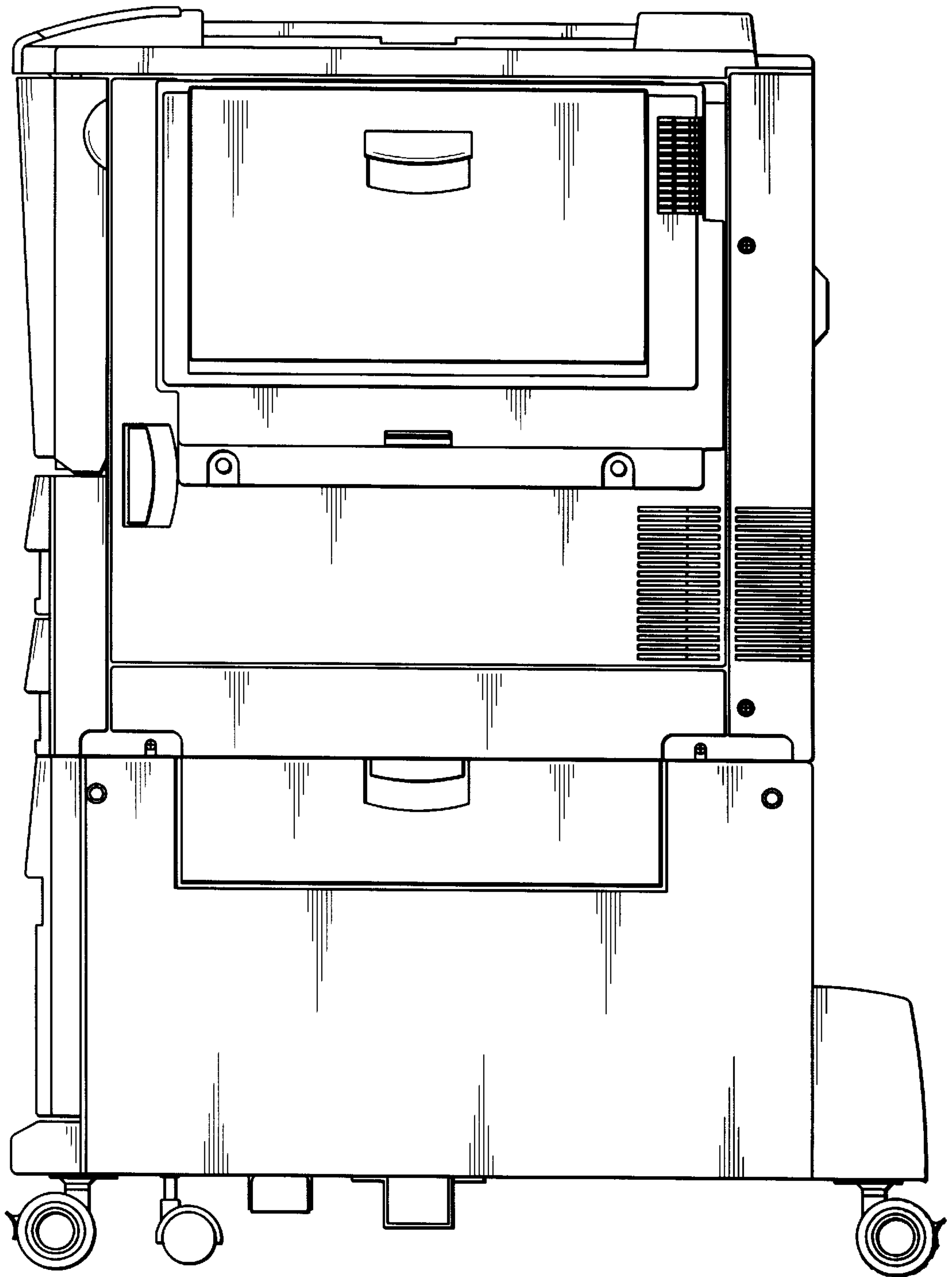


FIG. 5

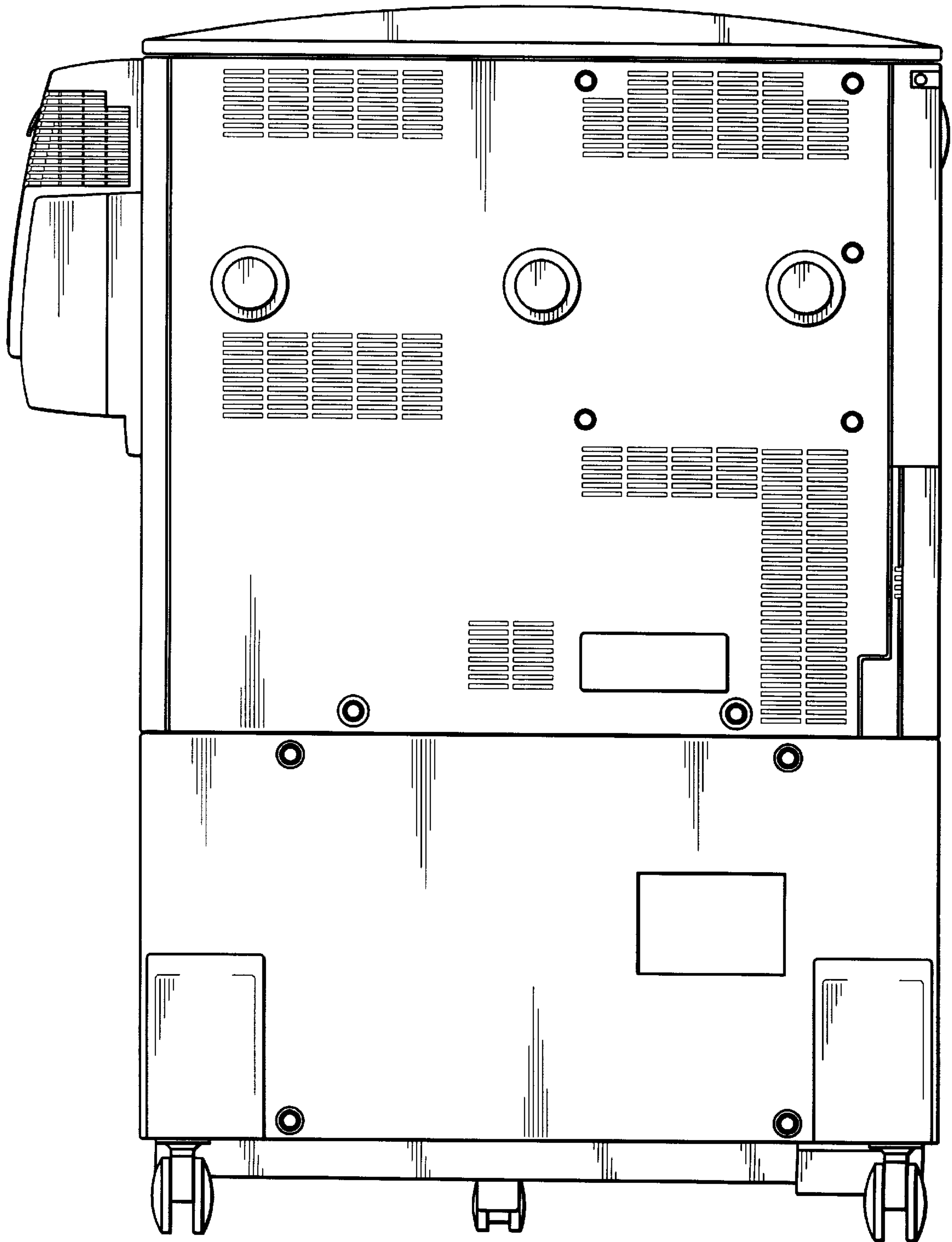


FIG. 6