



US00D456443S

(12) **United States Design Patent**
Igarashi

(10) **Patent No.:** **US D456,443 S**

(45) **Date of Patent:** **** Apr. 30, 2002**

(54) **PRINTER**

(75) **Inventor:** **Masaaki Igarashi, Tokyo (JP)**

(73) **Assignee:** **Canon Kabushiki Kaisha, Tokyo (JP)**

(**) **Term:** **14 Years**

(21) **Appl. No.:** **29/142,938**

(22) **Filed:** **Jun. 6, 2001**

(30) **Foreign Application Priority Data**

Dec. 8, 2000 (JP) 2000-035193

(51) **LOC (7) Cl.** **14-02**

(52) **U.S. Cl.** **D18/50**

(58) **Field of Search** D18/50, 54-55,
D18/36-37; 400/613, 613.1-613.4, 691-694,
690.1-690.4

(56) **References Cited**

U.S. PATENT DOCUMENTS

- D287,022 S * 12/1986 Kojima D18/36
- D289,167 S * 4/1987 Otsuka D18/54
- D296,335 S * 6/1988 Hara D18/36
- D318,871 S * 8/1991 Takeda et al. D18/36
- D321,205 S * 10/1991 Komada D18/36
- D322,278 S * 12/1991 Kawashima et al. D18/54

- D322,982 S * 1/1992 Tashiro D18/54
- D354,076 S * 1/1995 Fukuda et al. D18/36
- D357,933 S * 5/1995 Ishibashi et al. D18/36
- D362,456 S * 9/1995 Ishibashi et al. D18/39
- D371,573 S * 7/1996 Takahashi D18/36
- D390,866 S * 2/1998 Agata D18/37
- D401,964 S * 12/1998 Lardant et al. D18/50
- D405,107 S * 2/1999 Yokokawa D18/50
- D430,895 S * 9/2000 Inoue D18/54
- D436,123 S * 1/2001 Ito et al. D18/54

* cited by examiner

Primary Examiner—Cathy Anne MacCormac

(74) *Attorney, Agent, or Firm*—Fitzpatrick, Cella, Harper & Scinto

(57) **CLAIM**

The ornamental design for a printer, as shown and described.

DESCRIPTION

FIG. 1 is a front view of a printer showing my new design;
 FIG. 2 is a rear view thereof;
 FIG. 3 is a top plan view thereof;
 FIG. 4 is a bottom plan thereof;
 FIG. 5 is a left side view thereof;
 FIG. 6 is a right side view thereof; and,
 FIG. 7 is a perspective view thereof.

1 Claim, 5 Drawing Sheets

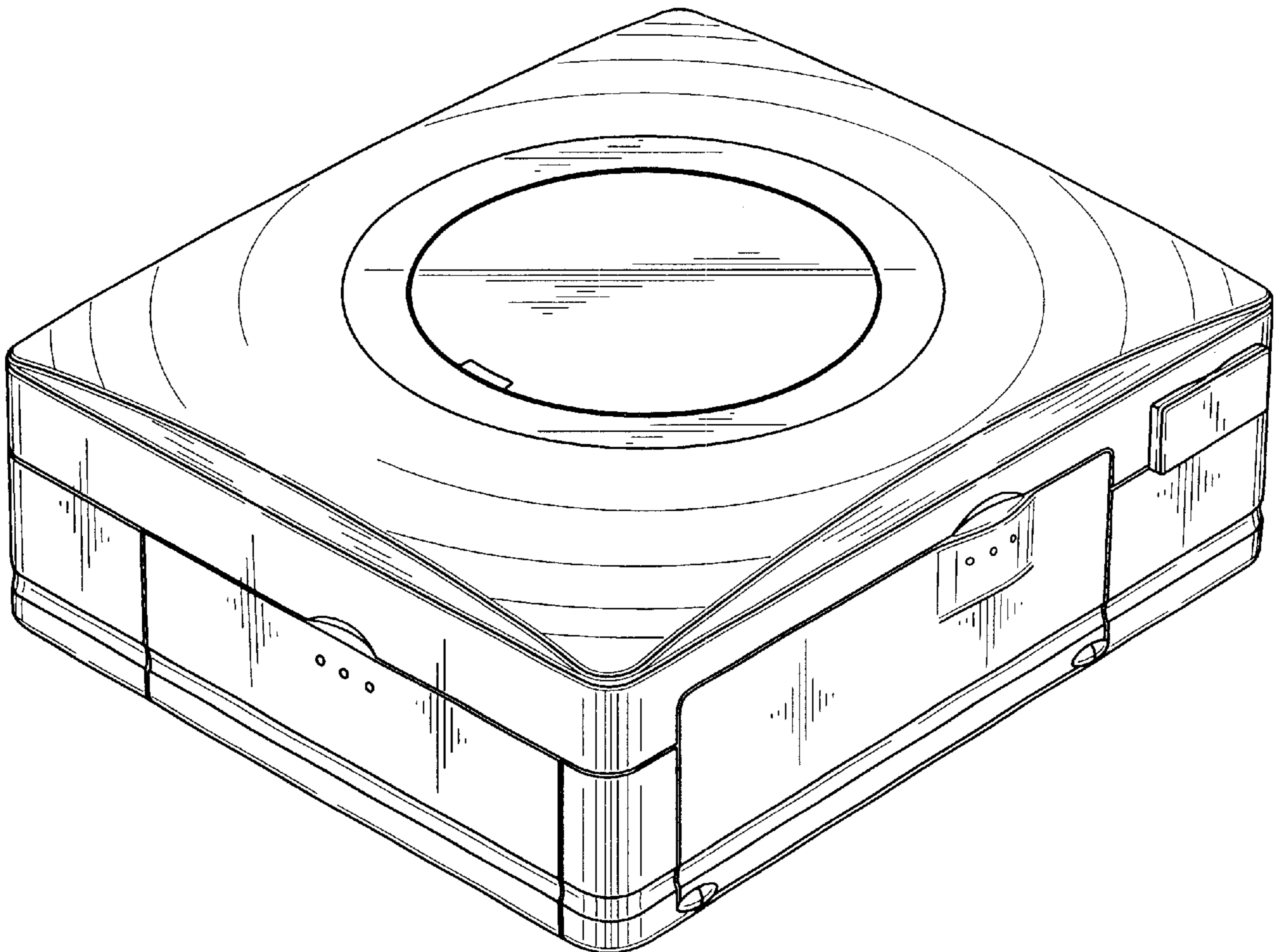


FIG. 1

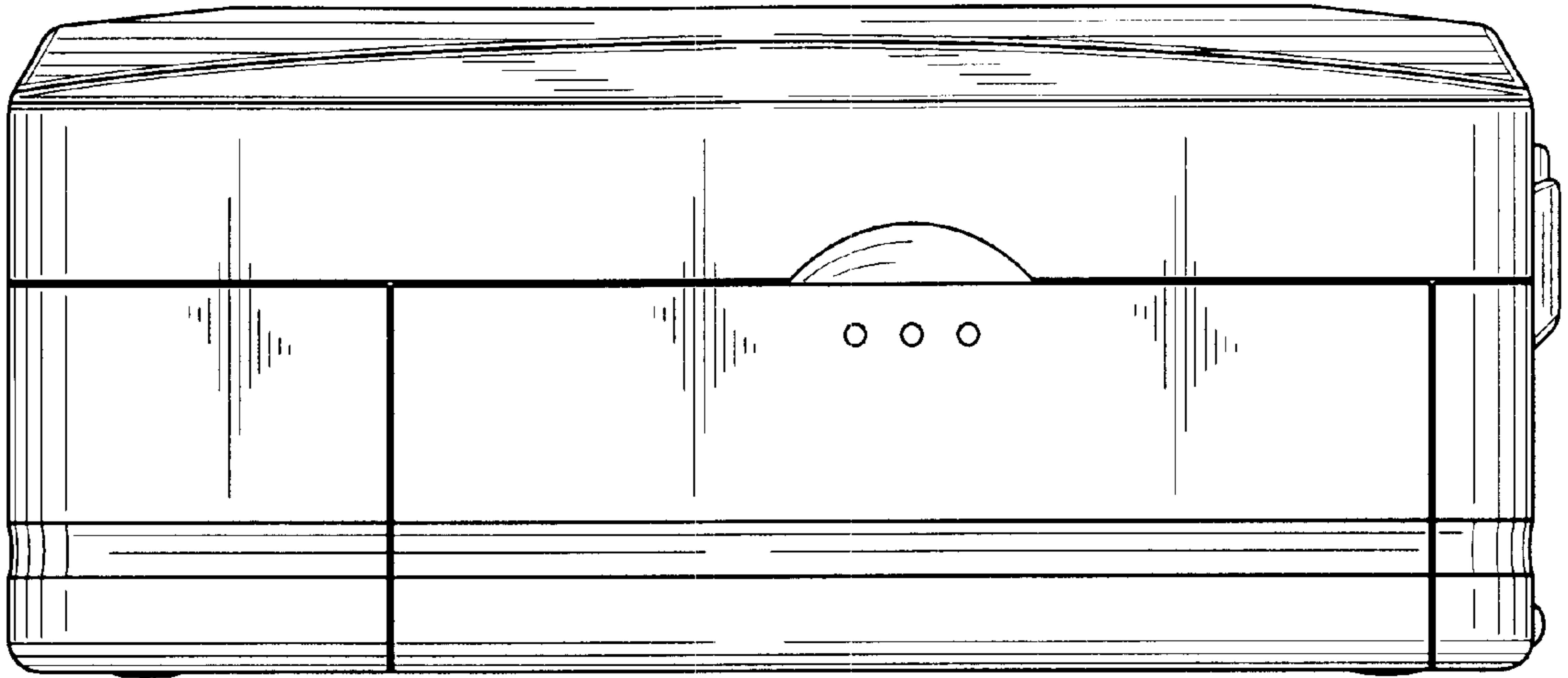


FIG. 2

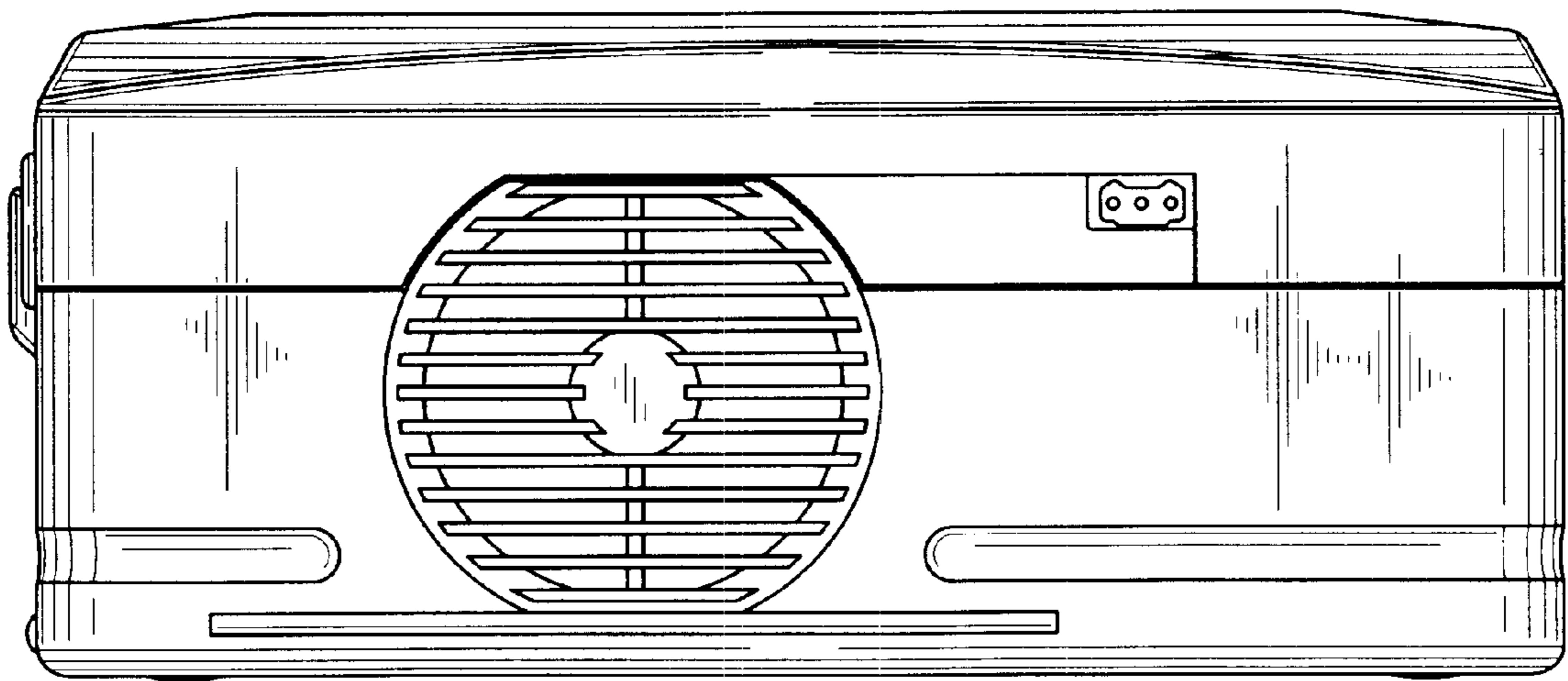


FIG. 3

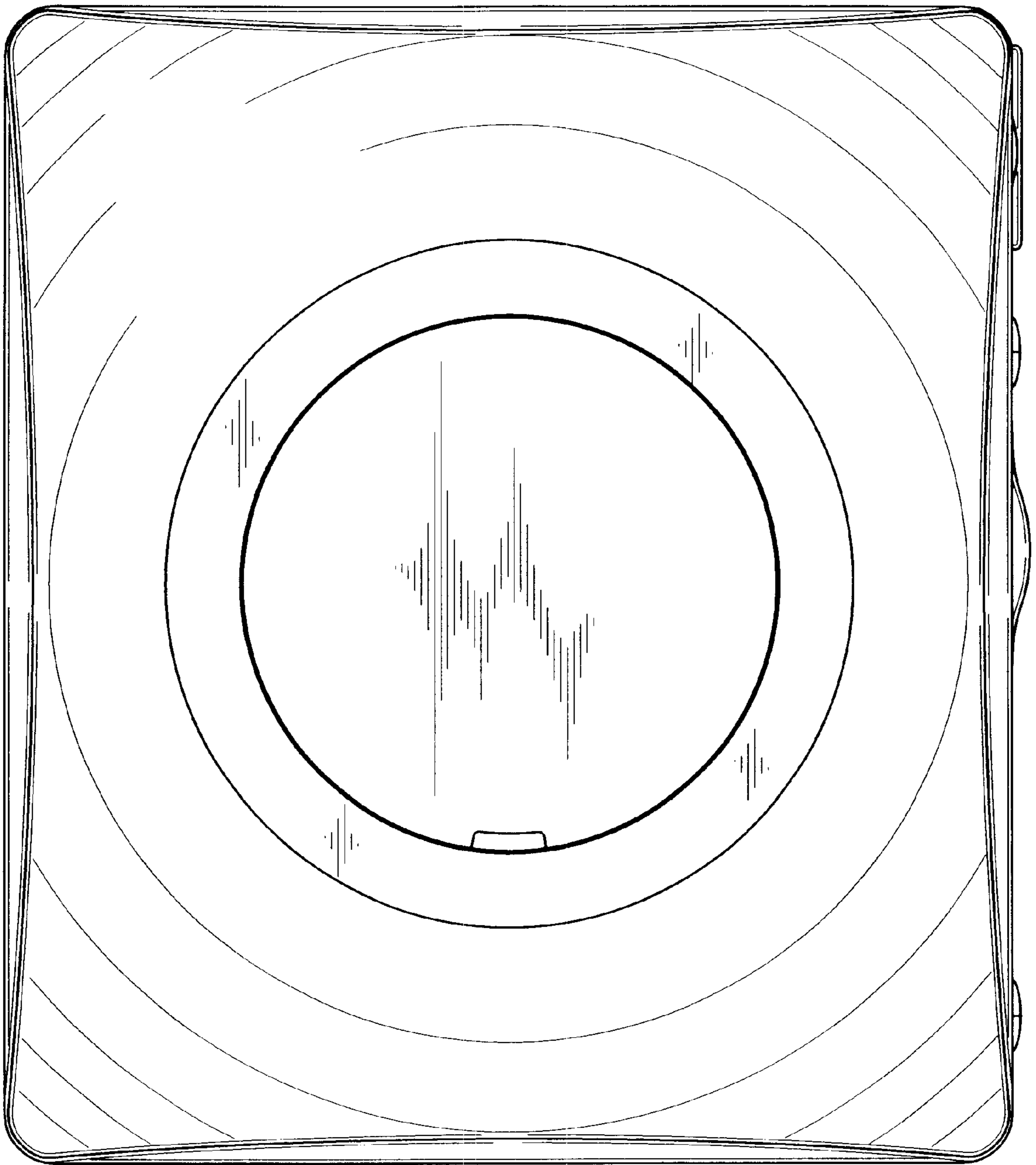


FIG. 4

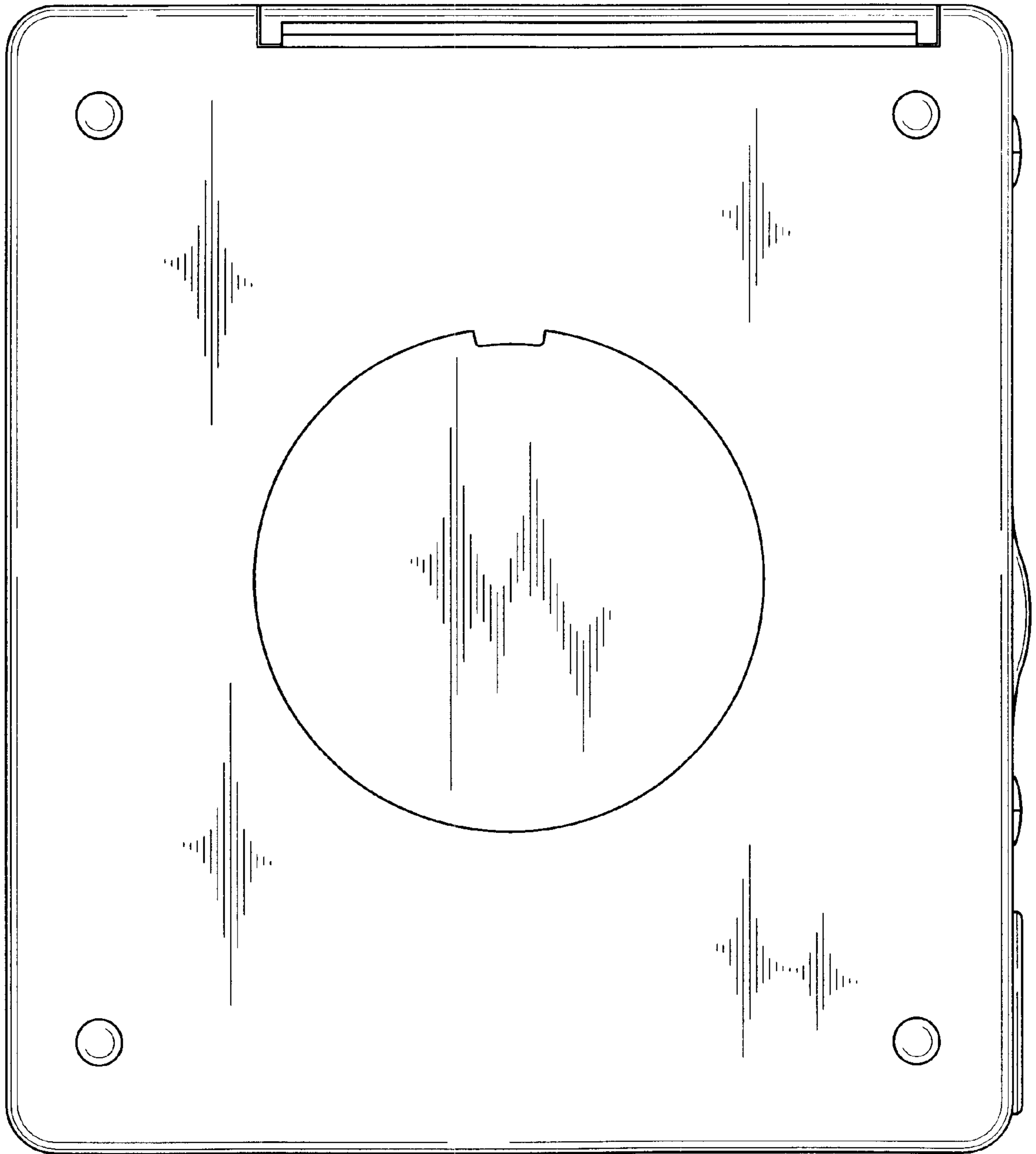


FIG. 5

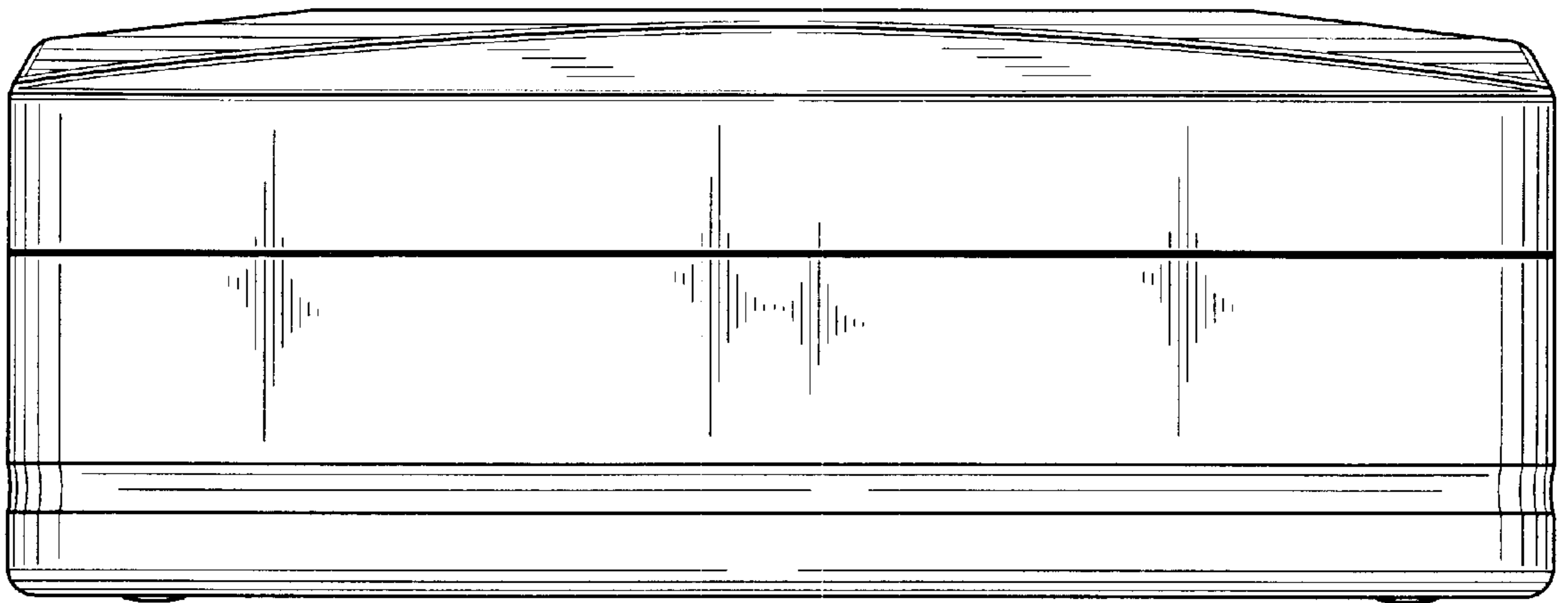


FIG. 6

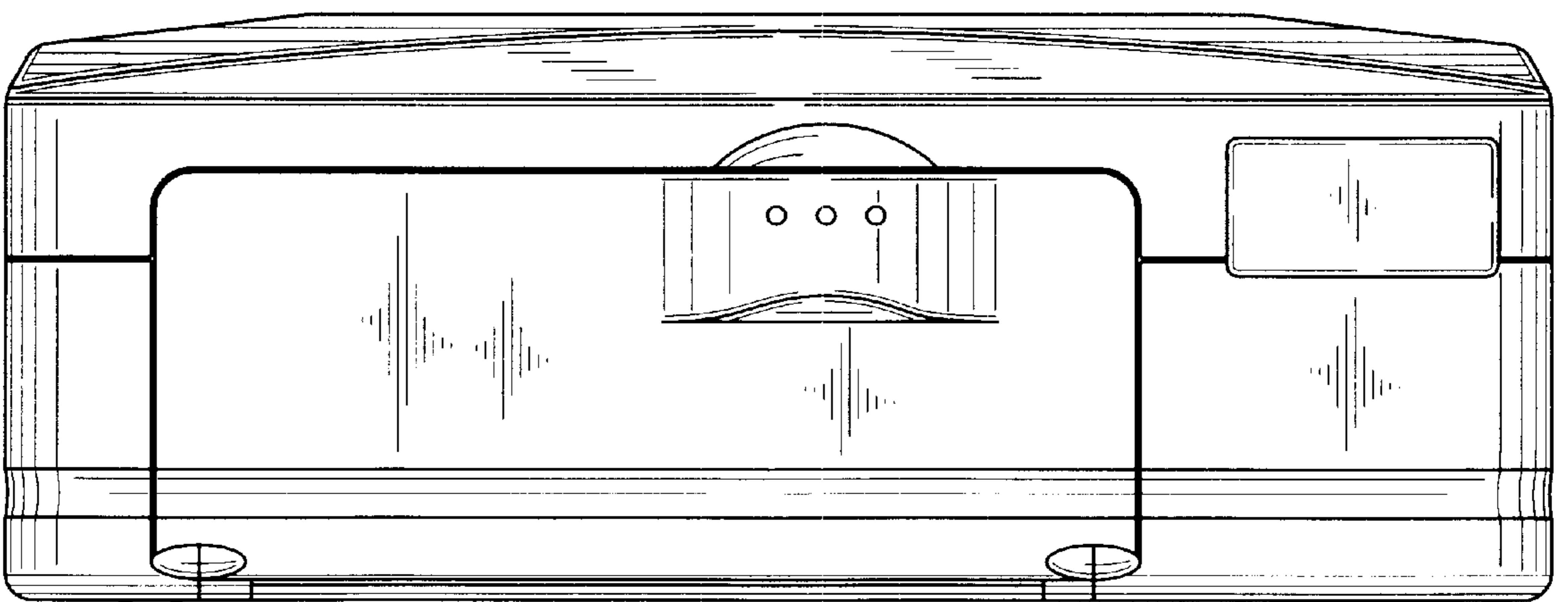


FIG. 7

