



US00D456438S

(12) **United States Design Patent**  
**Kawai**

(10) **Patent No.:** **US D456,438 S**

(45) **Date of Patent:** **\*\* Apr. 30, 2002**

(54) **CAMERA**

(75) **Inventor:** **Hideki Kawai, Tokyo (JP)**

(73) **Assignee:** **Canon Kabushiki Kaisha, Tokyo (JP)**

(\*\*) **Term:** **14 Years**

(21) **Appl. No.:** **29/146,191**

(22) **Filed:** **Aug. 7, 2001**

(30) **Foreign Application Priority Data**

Feb. 20, 2001 (JP) ..... 2001-003773

(51) **LOC (7) Cl.** ..... **16-01**

(52) **U.S. Cl.** ..... **D16/218; D16/202**

(58) **Field of Search** ..... **D16/200-206,**  
**D16/208, 209, 218; 348/373-376; 358/909.1;**  
**396/6, 25, 535-541**

(56) **References Cited**

**U.S. PATENT DOCUMENTS**

D394,076 S \* 5/1998 Matsumura et al. .... D16/209

D396,242 S \* 7/1998 Ito ..... D16/209

D410,482 S 6/1999 Kawai ..... D16/218

D422,611 S \* 4/2000 Katayama et al. .... D16/202

D424,084 S \* 5/2000 Senda ..... D16/202

D430,183 S \* 8/2000 Ito ..... D16/202

2001/0005452 A1 \* 6/2001 Ushiyama et al. .... 396/6

\* cited by examiner

*Primary Examiner*—Adir Aronovich

(74) *Attorney, Agent, or Firm*—Fitzpatrick, Cella, Harper & Scinto

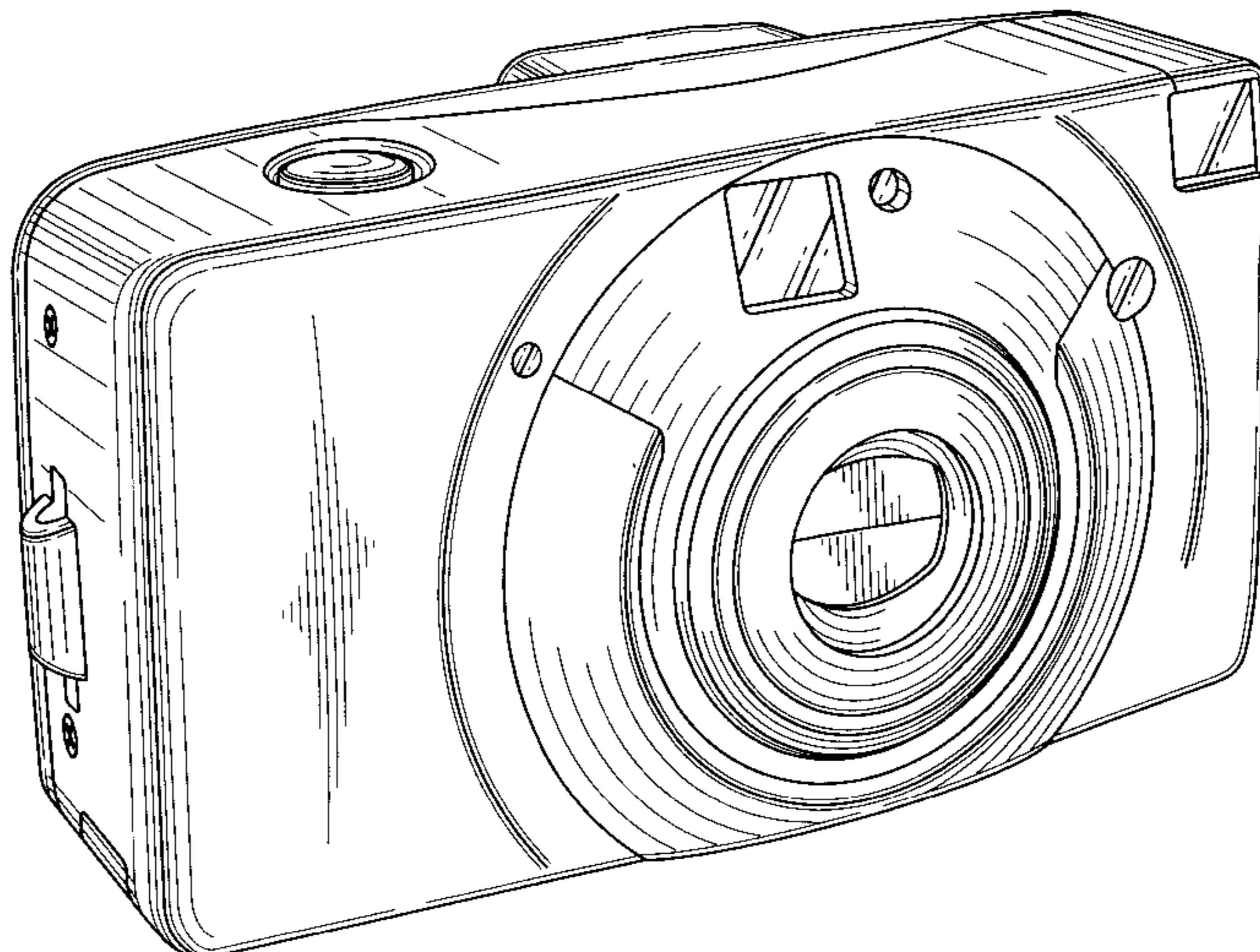
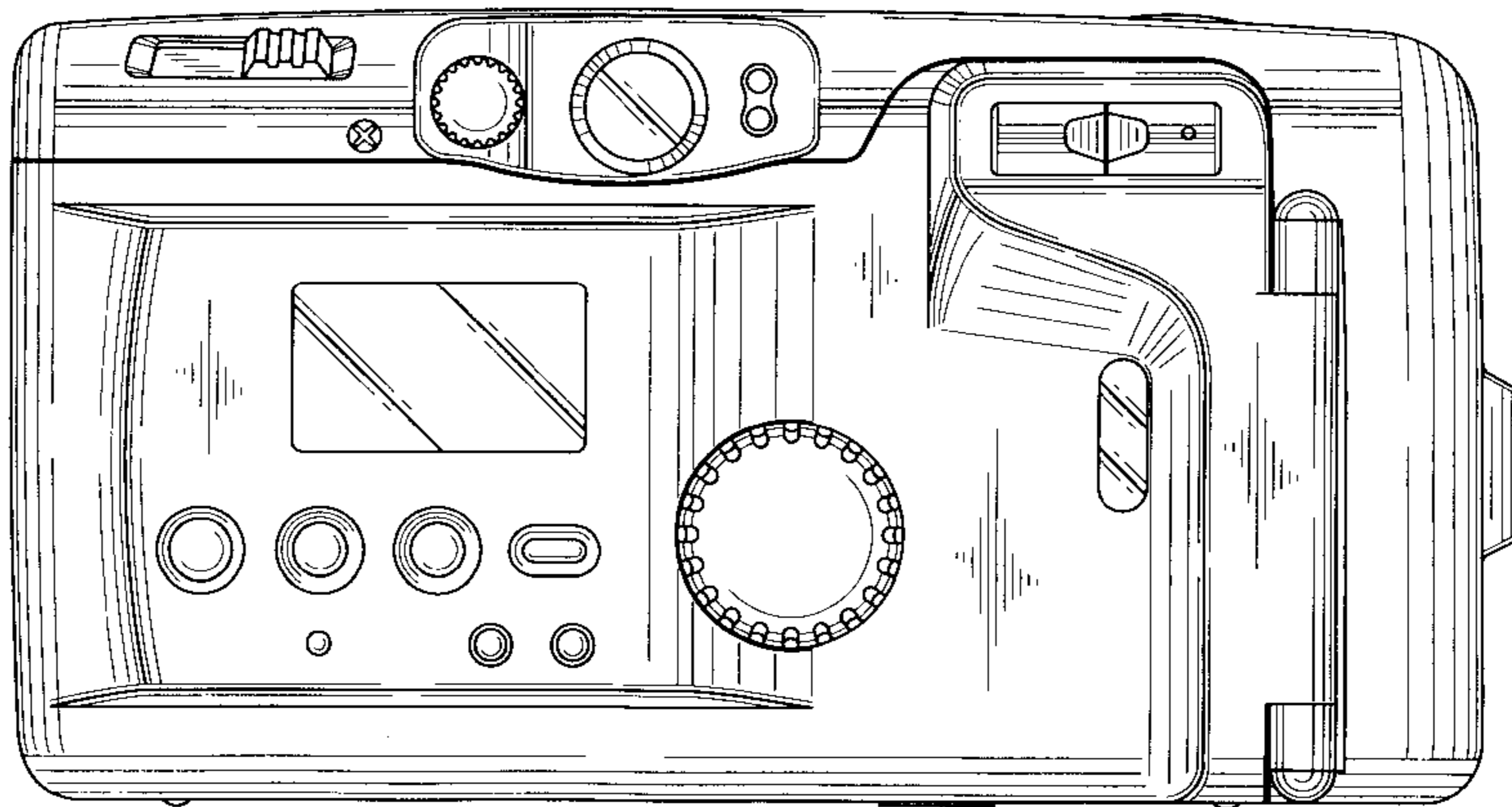
(57) **CLAIM**

The ornamental design for a camera, as shown and described.

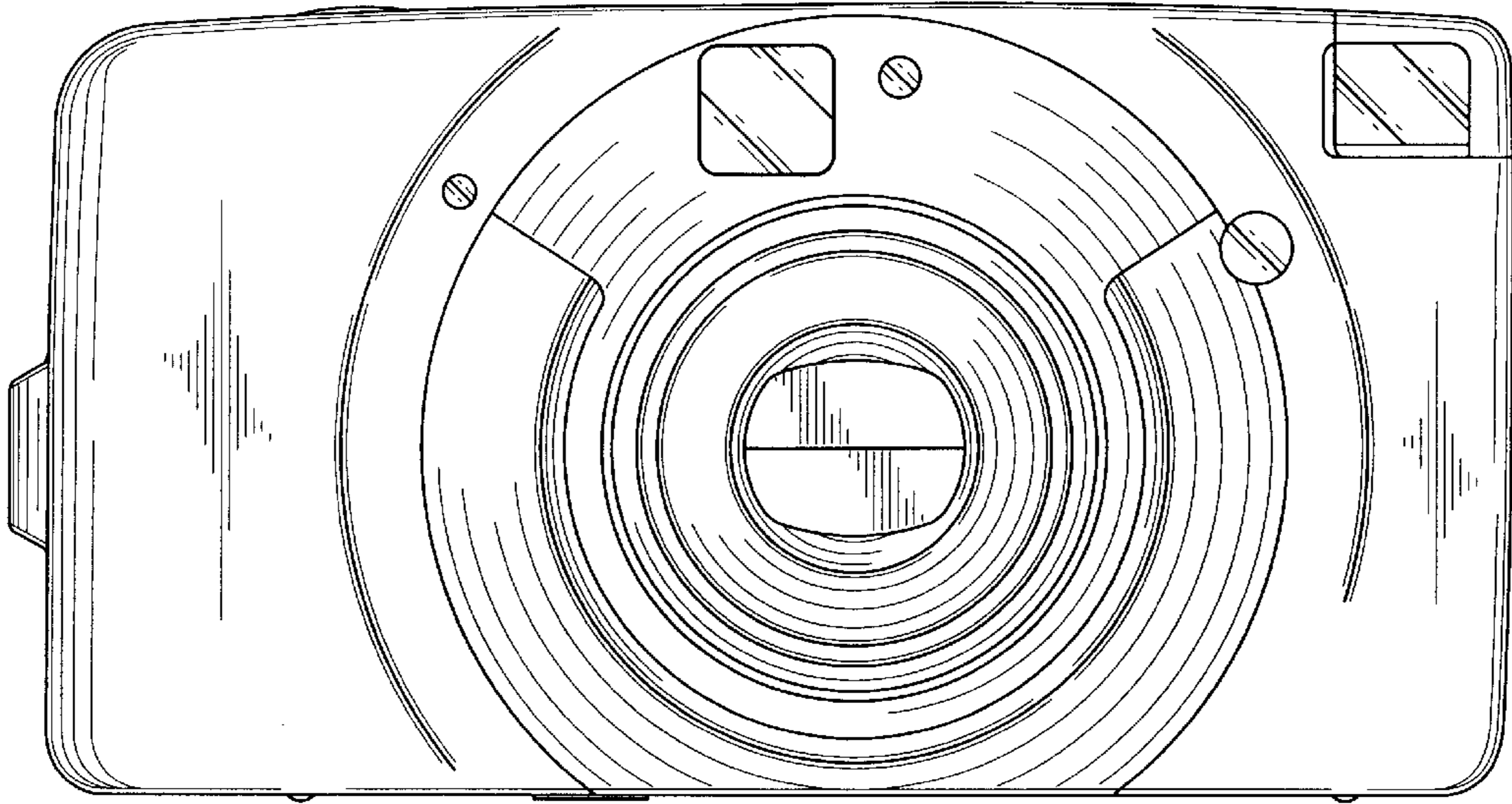
**DESCRIPTION**

FIG. 1 is a front view of a camera, showing my new design;  
FIG. 2 is a rear view thereof;  
FIG. 3 is a top plan view thereof;  
FIG. 4 is a bottom plan view thereof;  
FIG. 5 is a left side view thereof;  
FIG. 6 is a right side view thereof; and,  
FIG. 7 is a perspective view thereof.

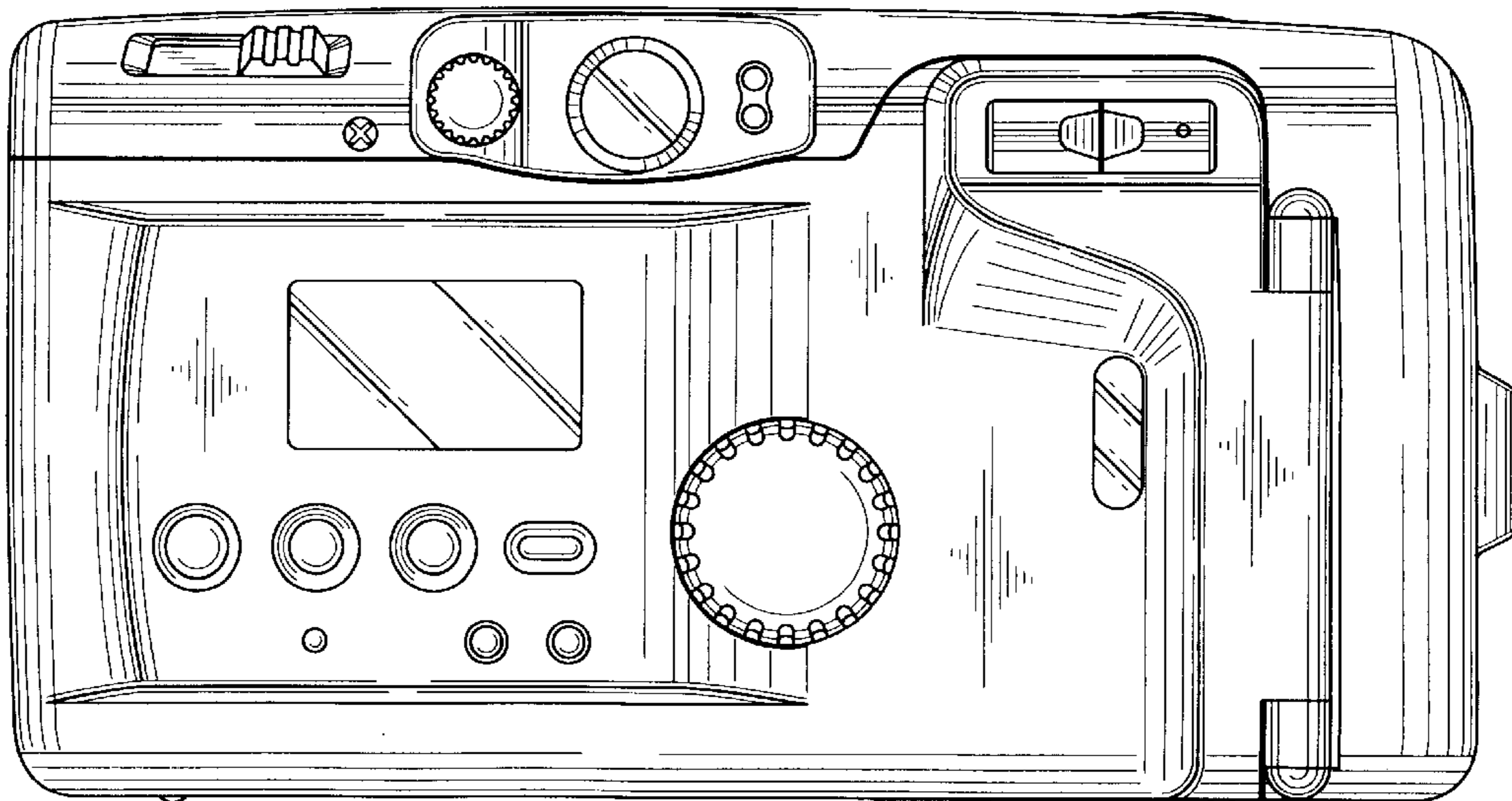
**1 Claim, 4 Drawing Sheets**



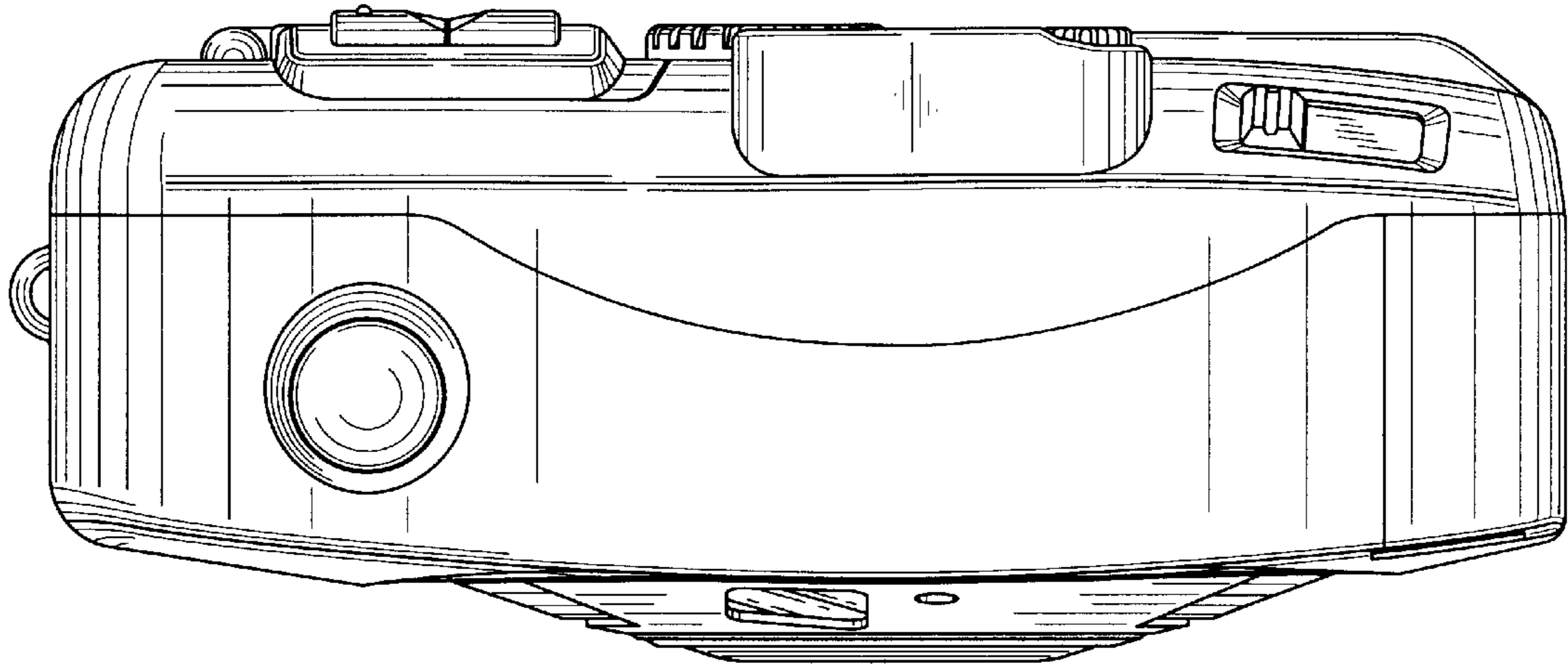
*FIG. 1*



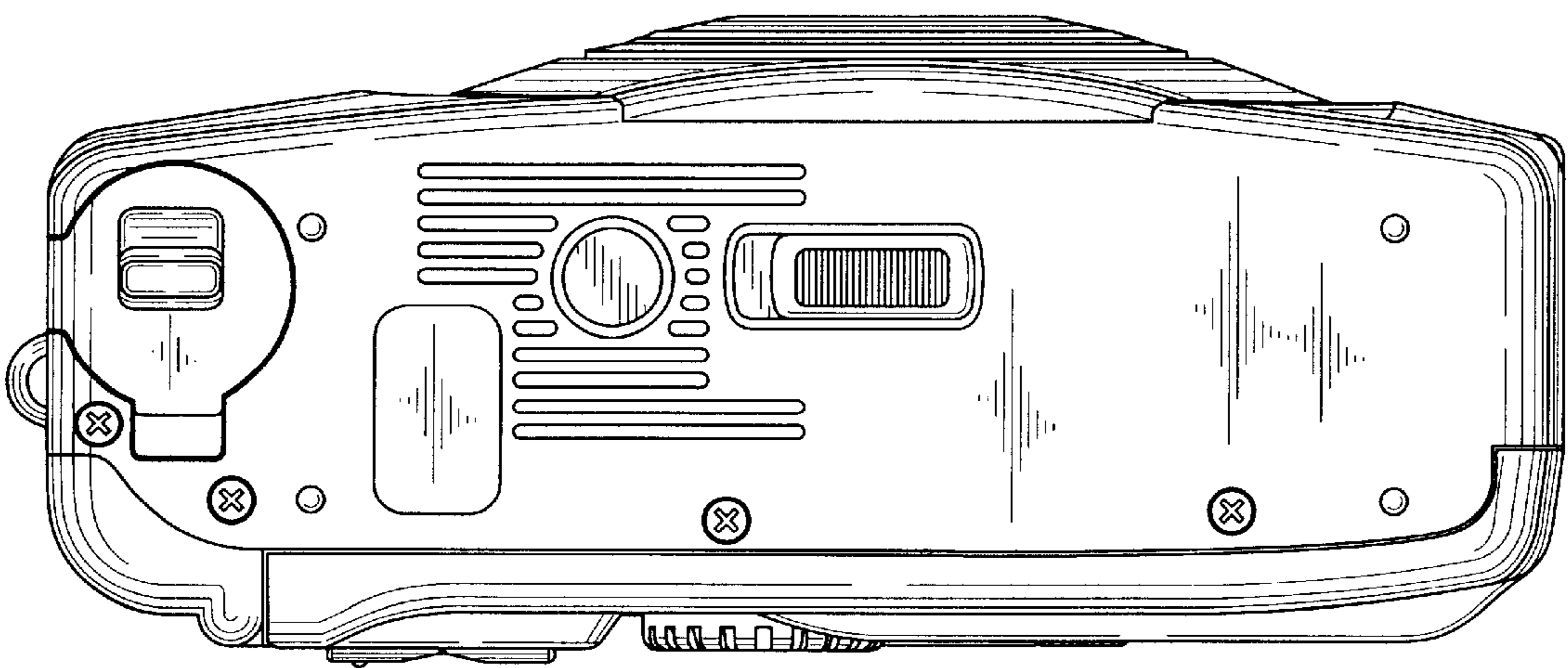
*FIG. 2*



*FIG. 3*

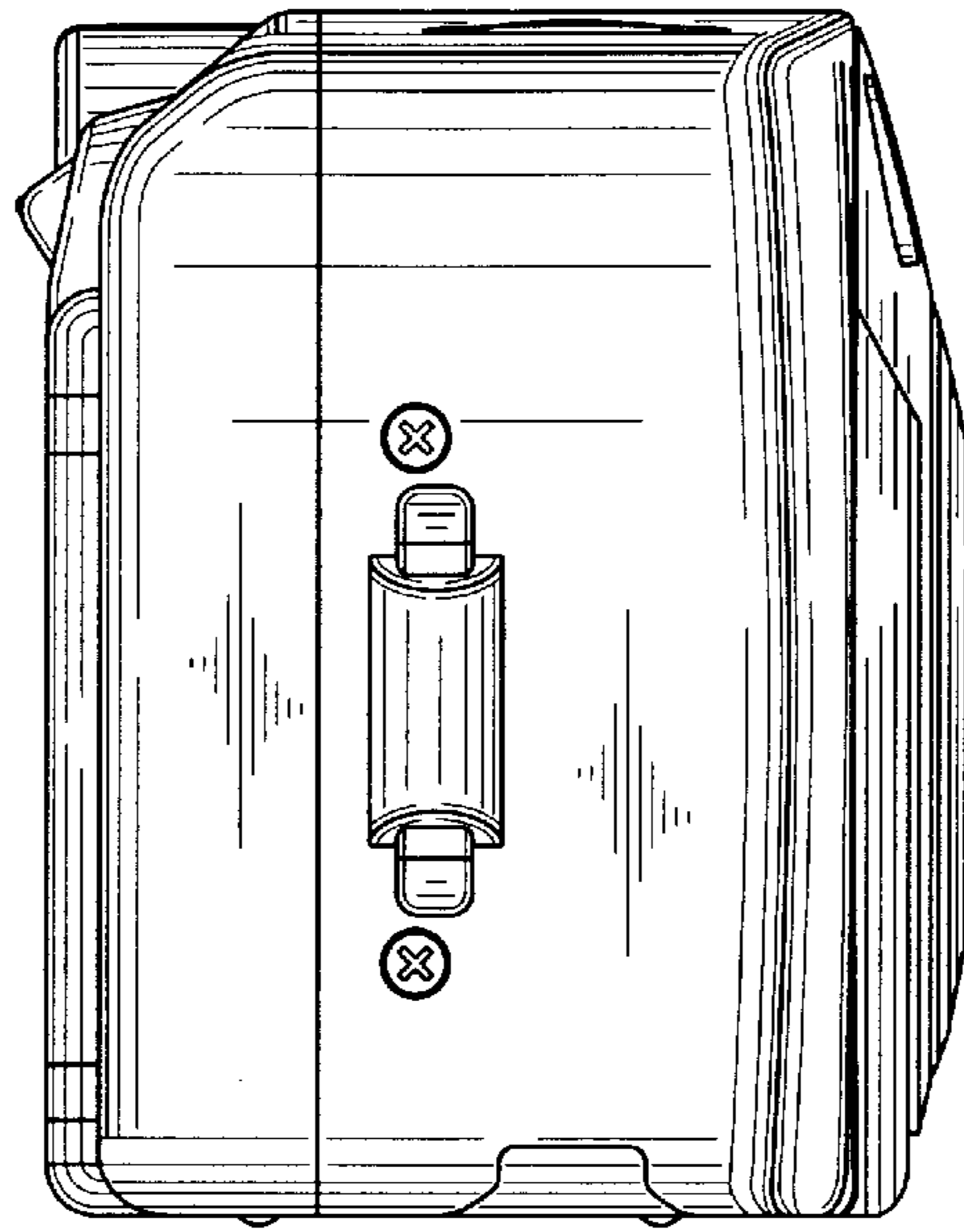


*FIG. 4*





*FIG. 5*



*FIG. 6*



*FIG. 7*

