



US00D456437S

(12) **United States Design Patent**
Omino

(10) **Patent No.:**

US D456,437 S

(45) **Date of Patent:**

**** Apr. 30, 2002**

(54) **CAMERA**

(75) **Inventor:** Seiichi Omino, Kawasaki (JP)

(73) **Assignee:** Canon Kabushiki Kaisha, Tokyo (JP)

(**) **Term:** 14 Years

(21) **Appl. No.:** 29/145,849

(22) **Filed:** Aug. 1, 2001

(30) **Foreign Application Priority Data**

Feb. 9, 2001 (JP) 2001-002967

(51) **LOC (7) Cl.** 16-01

(52) **U.S. Cl.** D16/218; D16/202

(58) **Field of Search** D16/200, 206,
D16/208, 209, 218; 348/373-376; 358/909.1;
396/6, 25, 535-541

(56) **References Cited**

U.S. PATENT DOCUMENTS

5,576,781 A * 11/1996 Deleuw 396/6
D386,775 S * 11/1997 Shiotani et al. D16/218
D407,731 S * 4/1999 Morishita et al. D16/209

D410,482 S * 6/1999 Kawai D16/218
D412,519 S 8/1999 Omino et al. D16/218
D426,252 S * 6/2000 Ito et al. D16/218
D439,264 S * 3/2001 Omino D16/218
2001/0005452 A1 * 6/2001 Ushiyama et al. 396/6

* cited by examiner

Primary Examiner—Adir Aronovich

(74) *Attorney, Agent, or Firm*—Fitzpatrick, Cella, Harper & Scinto

(57) **CLAIM**

The ornamental design for a camera, as shown and described.

DESCRIPTION

FIG. 1 is a front view of a camera, showing my new design;
FIG. 2 is a rear view thereof;
FIG. 3 is a top plan view thereof;
FIG. 4 is a bottom plan view thereof;
FIG. 5 is a left side view thereof;
FIG. 6 is a right side view thereof; and,
FIG. 7 is a perspective view thereof.

1 Claim, 3 Drawing Sheets

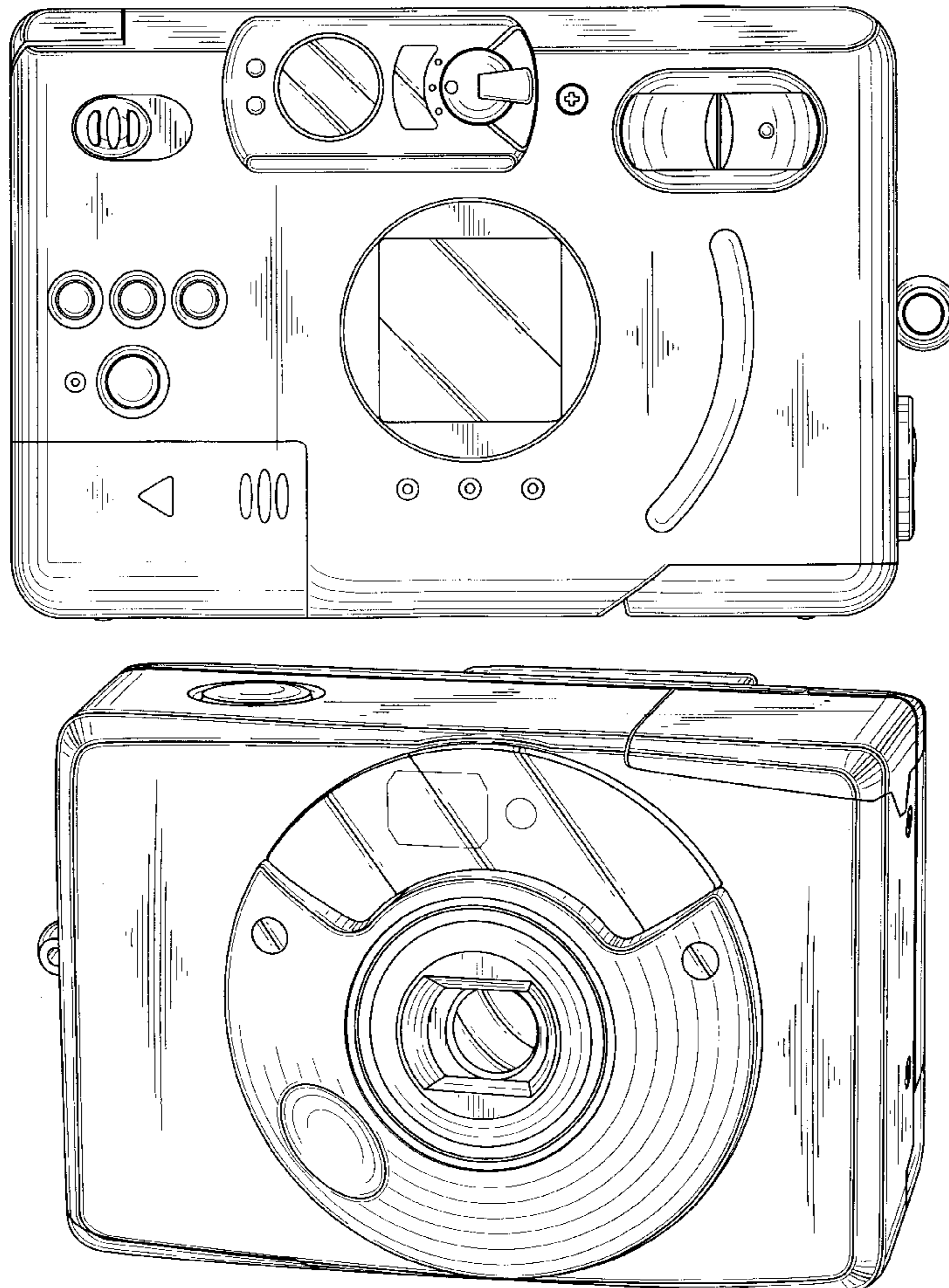


FIG. 1

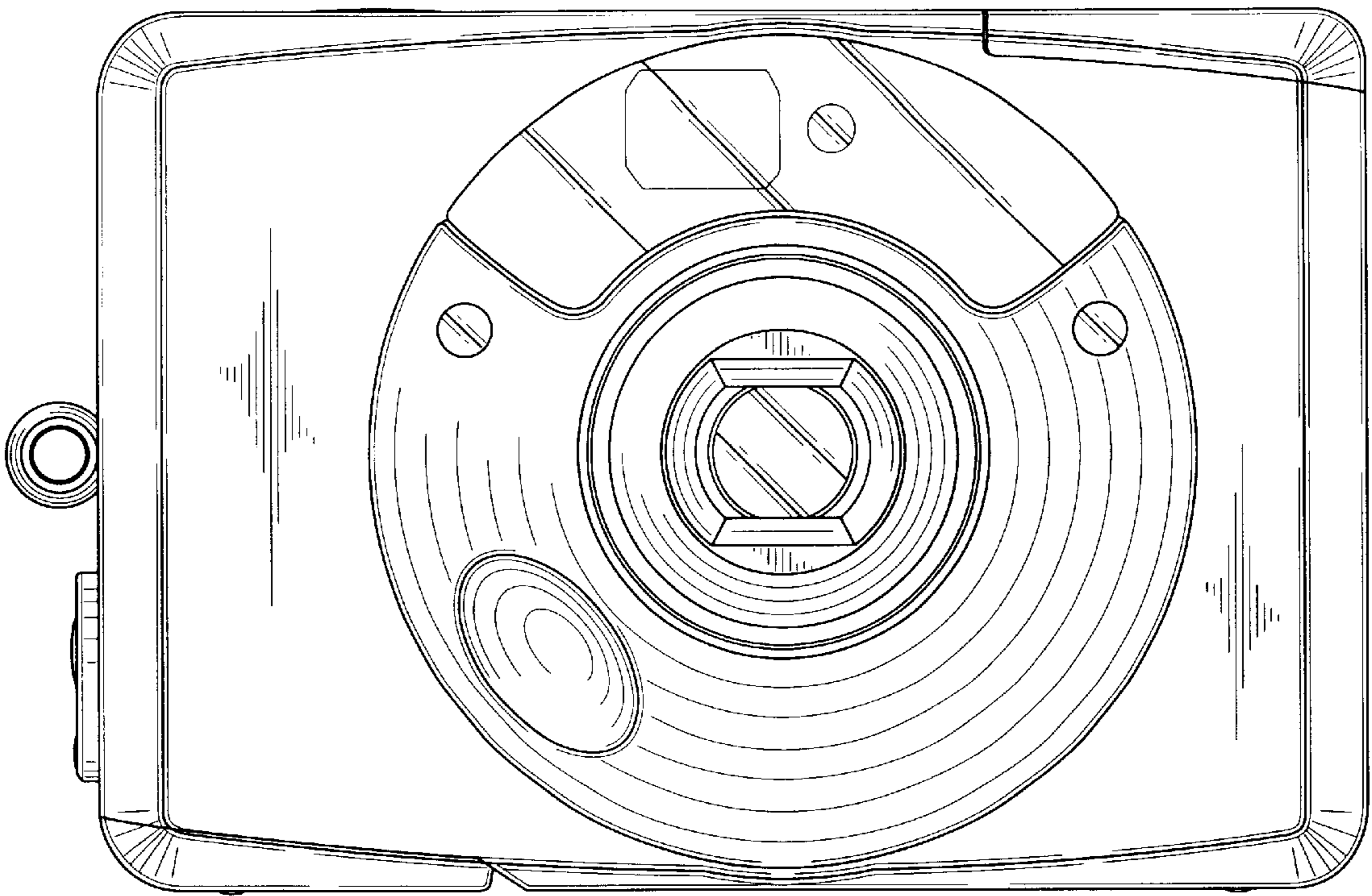


FIG. 2

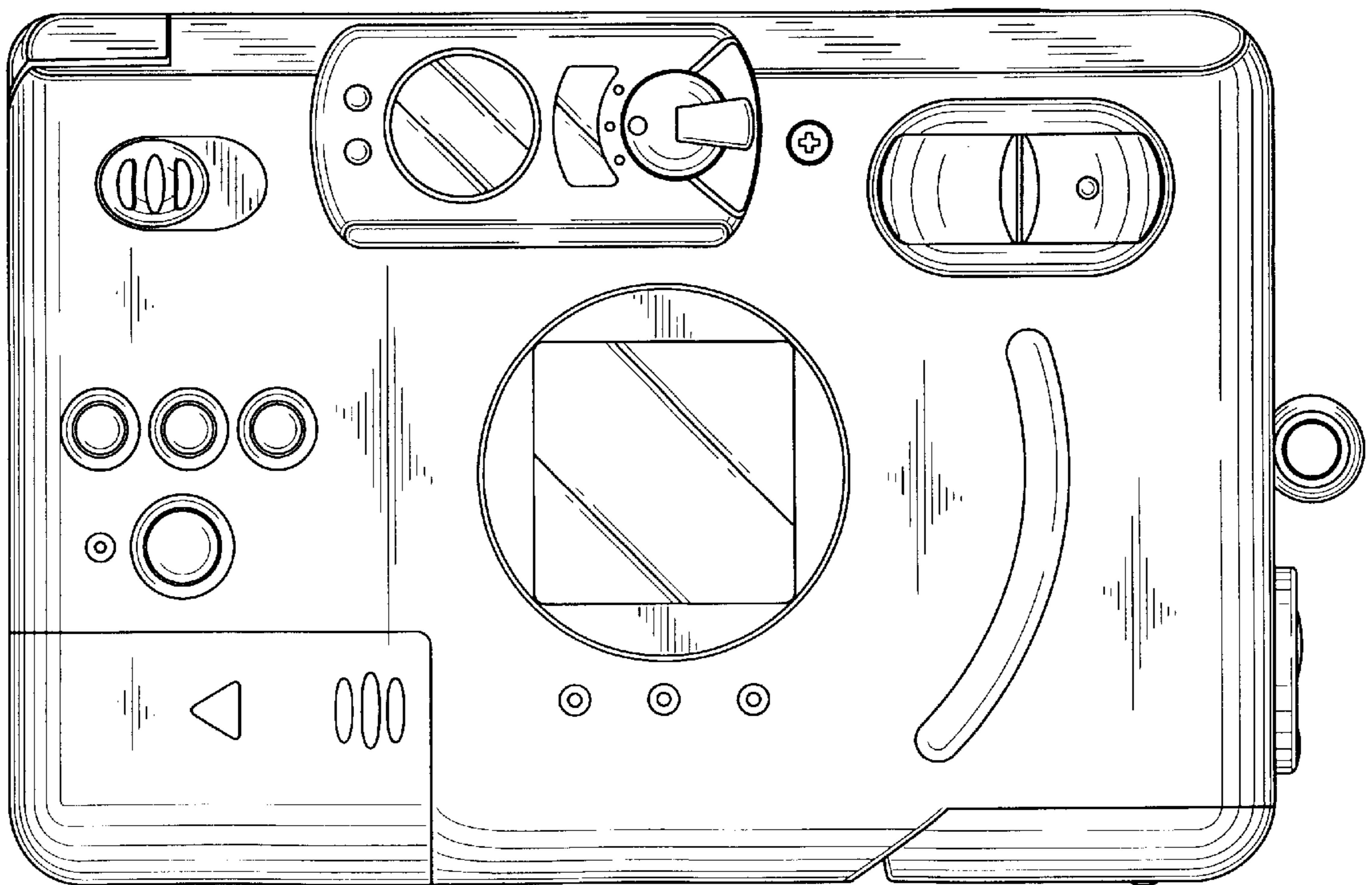


FIG. 3

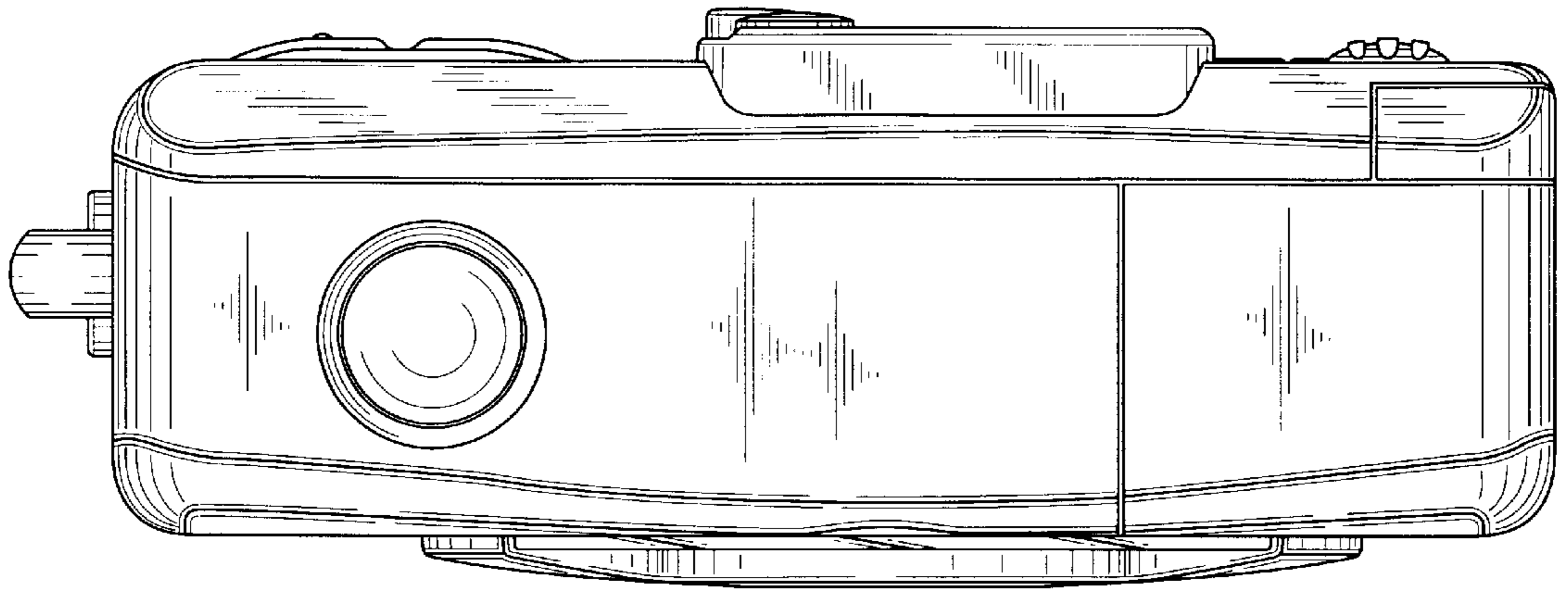


FIG. 4

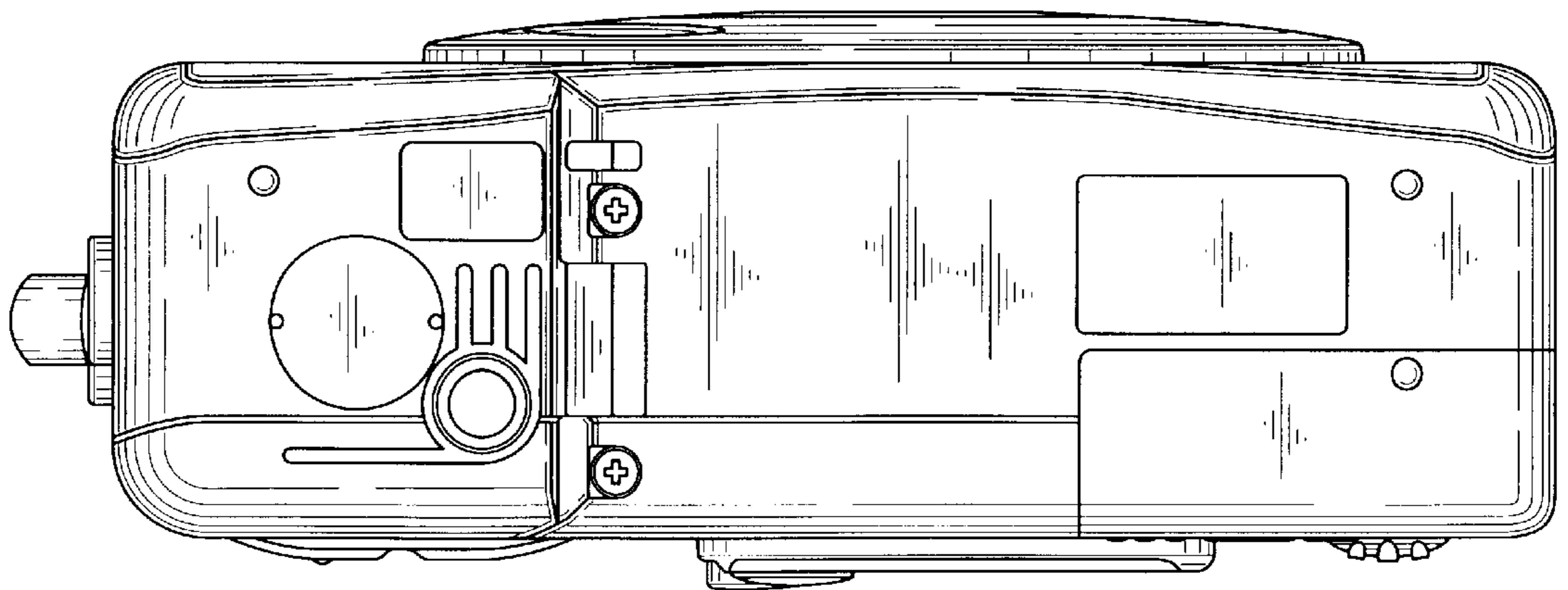


FIG. 5

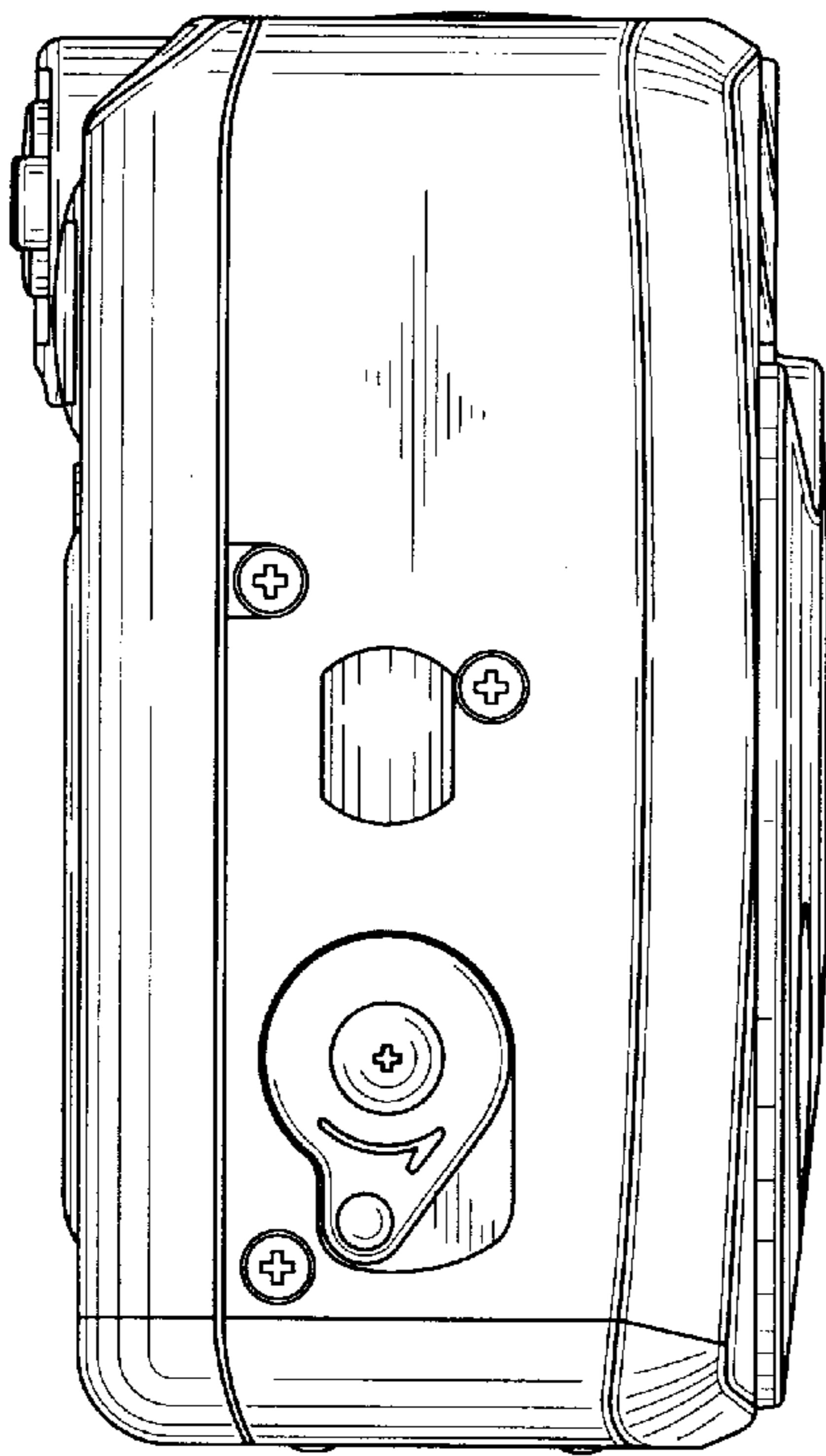


FIG. 6

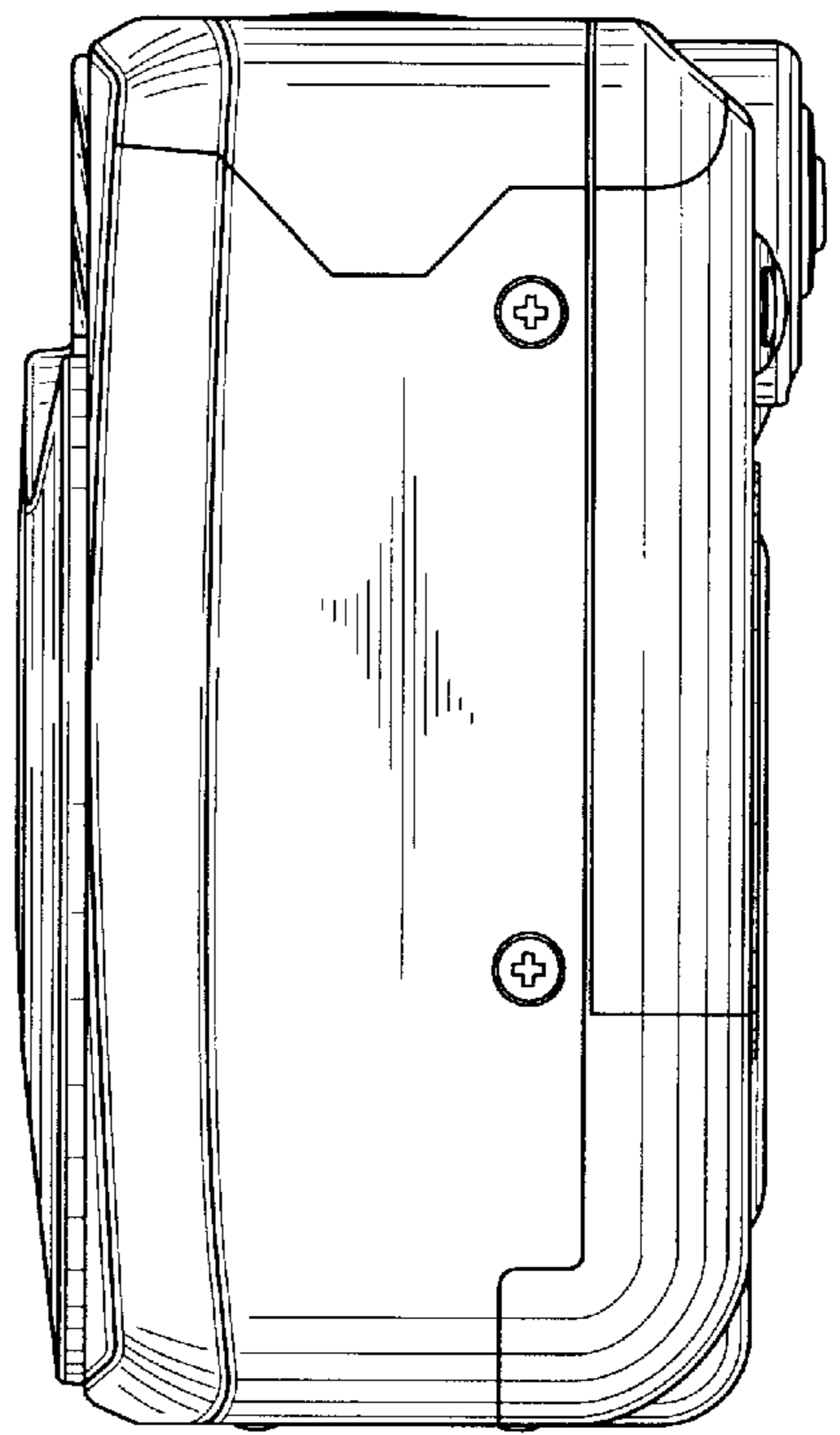


FIG. 7

