



US00D456435S

(12) **United States Design Patent**
Hisatomi et al.

(10) **Patent No.:**

US D456,435 S

(45) **Date of Patent:**

**** Apr. 30, 2002**

(54) **DIGITAL CAMERA**

(75) Inventors: **Tatsuya Hisatomi**, Tokyo; **Masakazu Kumakura**, Chiba; **Masahito Owada**, Yokohama, all of (JP)

(73) Assignee: **Canon Kabushiki Kaisha**, Tokyo (JP)

(**) Term: **14 Years**

(21) Appl. No.: **29/145,791**

(22) Filed: **Jul. 31, 2001**

(30) **Foreign Application Priority Data**

Feb. 9, 2001 (JP) 2001-002984

(51) **LOC (7) Cl.** **16-01**

(52) **U.S. Cl.** **D16/202; D16/218**

(58) **Field of Search** D16/200, 206,
D16/208, 209, 218; 348/373-376; 358/909.1;
396/6, 25, 535-541

(56) **References Cited**

U.S. PATENT DOCUMENTS

D410,665 S * 6/1999 Shinano D16/202
D412,519 S 8/1999 Omino et al. D16/218
D422,611 S * 4/2000 Katayama et al. D16/202

D423,031 S * 4/2000 Shinohara et al. D16/202
D424,084 S * 5/2000 Senda D16/202
D426,252 S * 6/2000 Ito et al. D16/218
D430,183 S * 8/2000 Ito D16/202
D443,289 S 6/2001 Omino D16/202
2001/0005452 A1 * 6/2001 Ushiyama et al. 396/6

* cited by examiner

Primary Examiner—Adir Aronovich

(74) *Attorney, Agent, or Firm*—Fitzpatrick, Cella, Harper & Scinto

(57) **CLAIM**

The ornamental design for a digital camera, as shown and described.

DESCRIPTION

FIG. 1 is a front view of a digital camera showing our new design;

FIG. 2 is a rear view thereof;

FIG. 3 is a top plan view thereof;

FIG. 4 is a bottom plan view thereof;

FIG. 5 is a left side view thereof;

FIG. 6 is a right side view thereof; and,

FIG. 7 is a perspective view as viewed thereof.

1 Claim, 4 Drawing Sheets

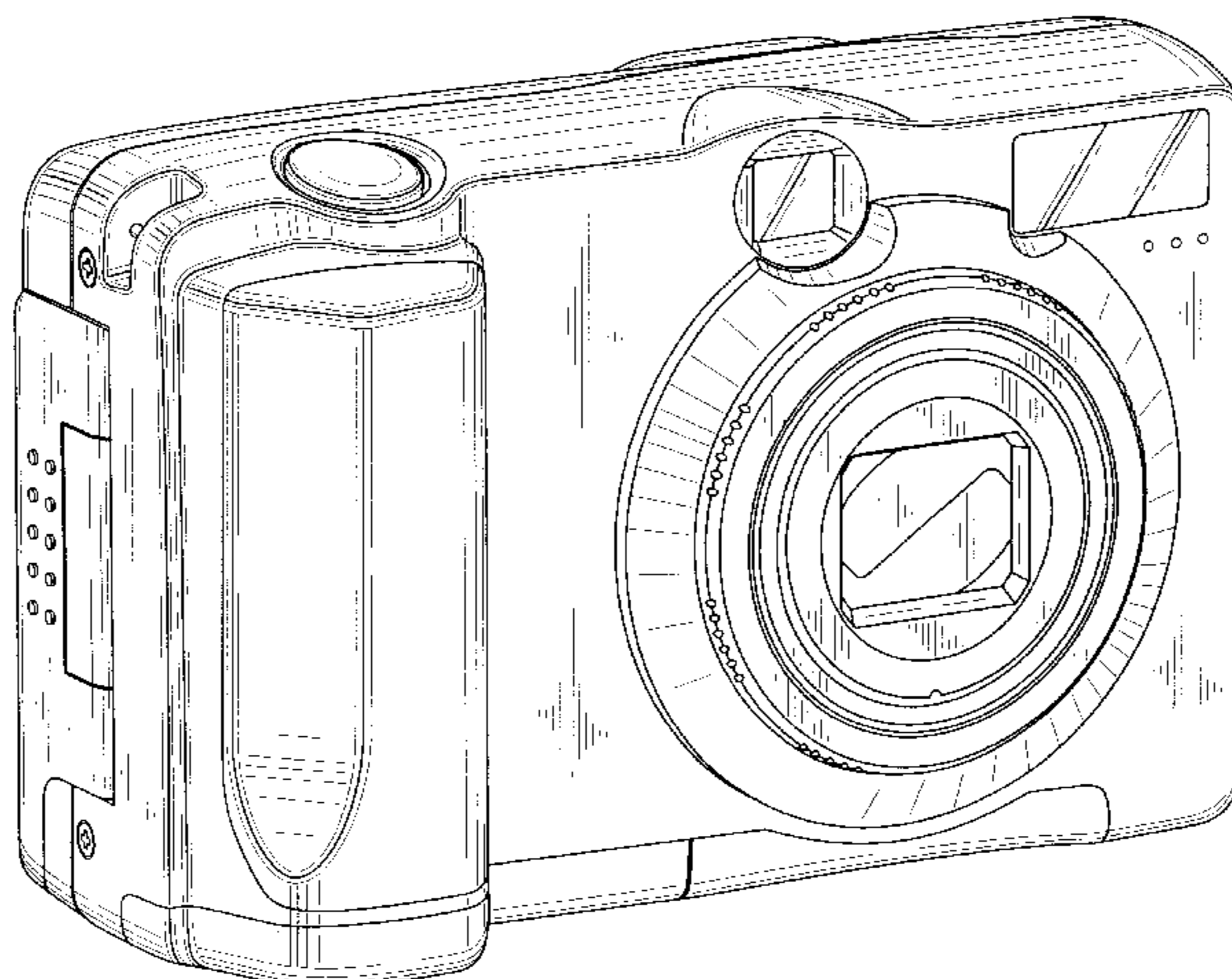
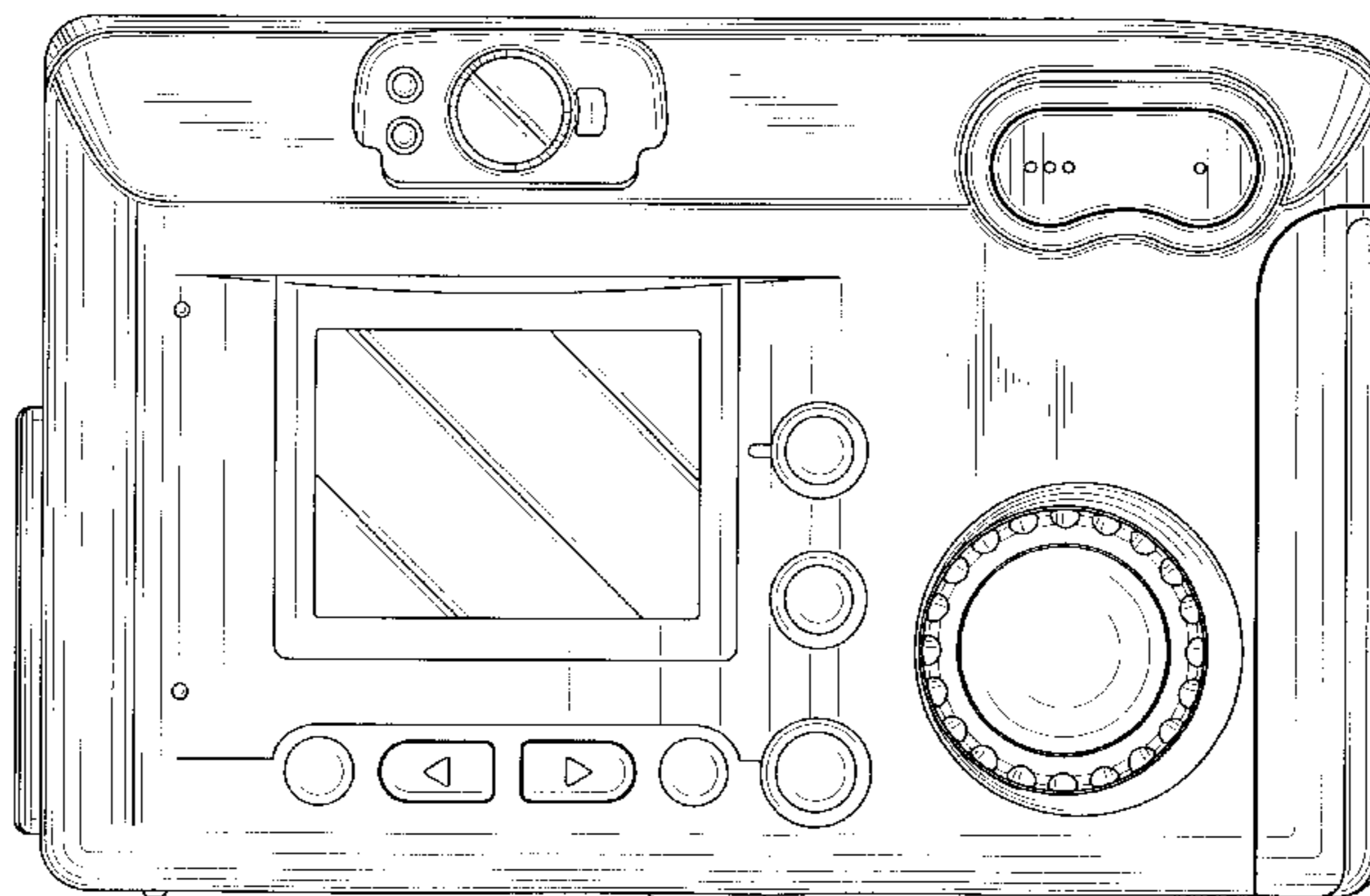


FIG. 1

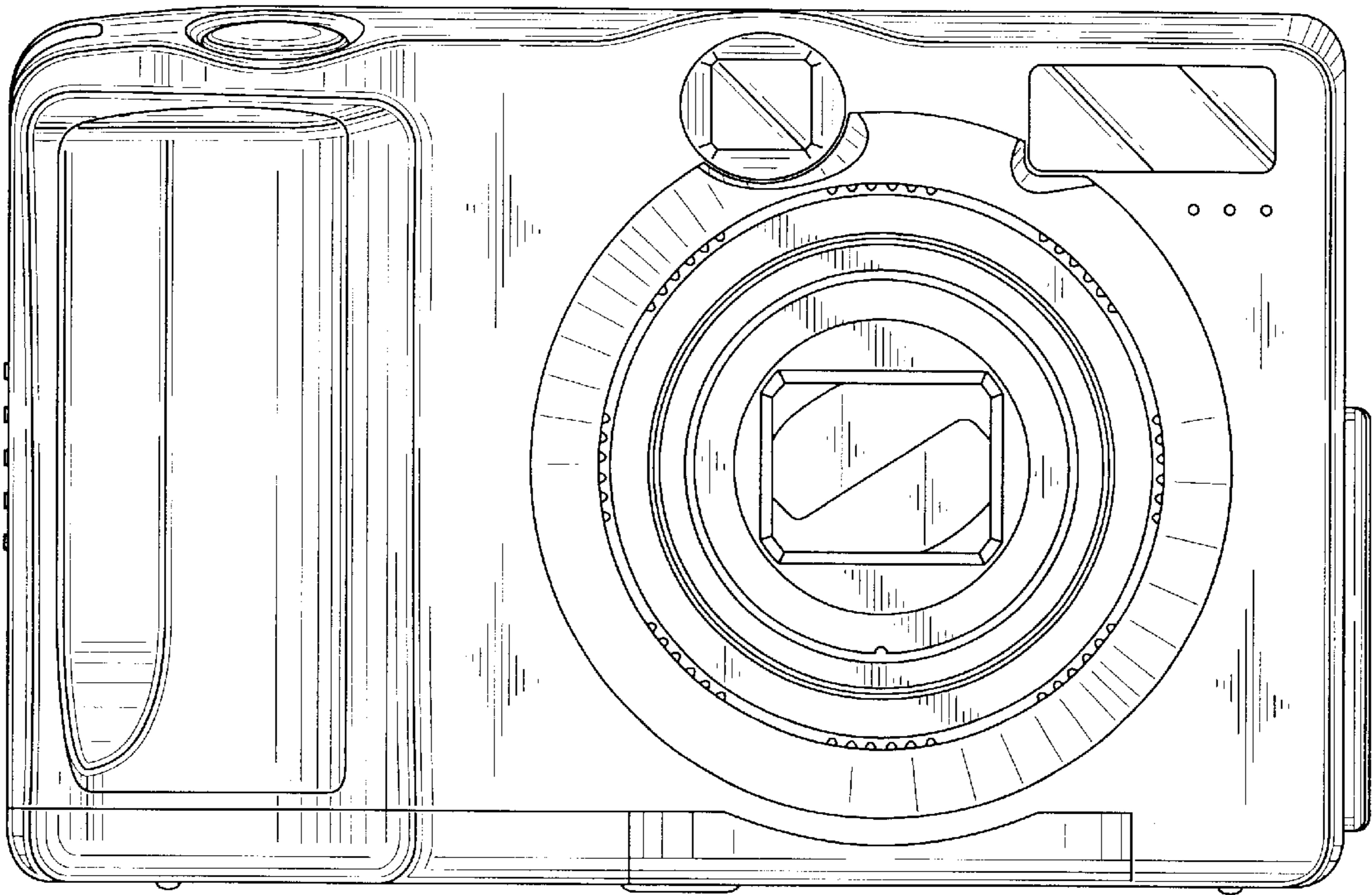


FIG. 2

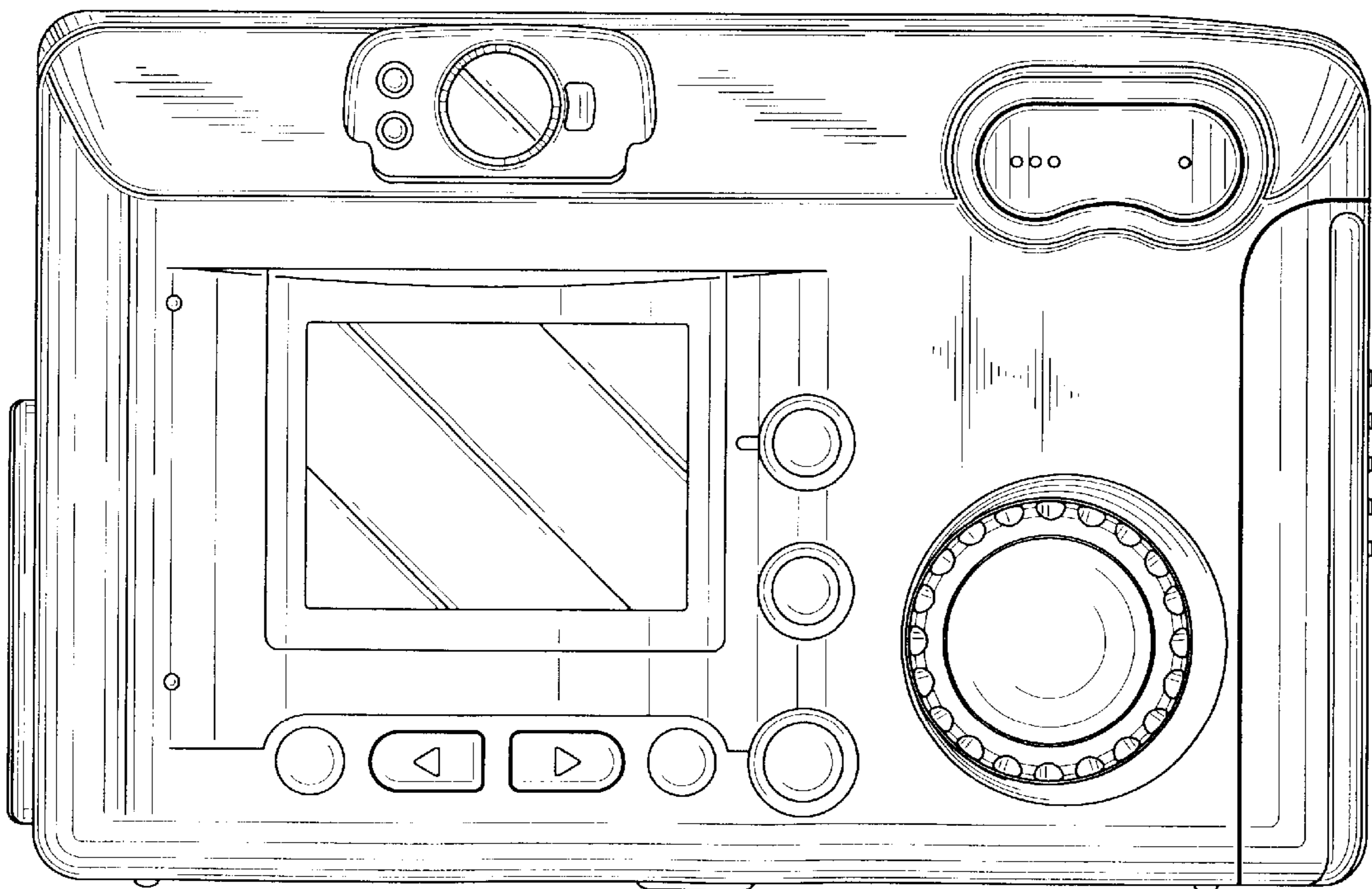


FIG. 3

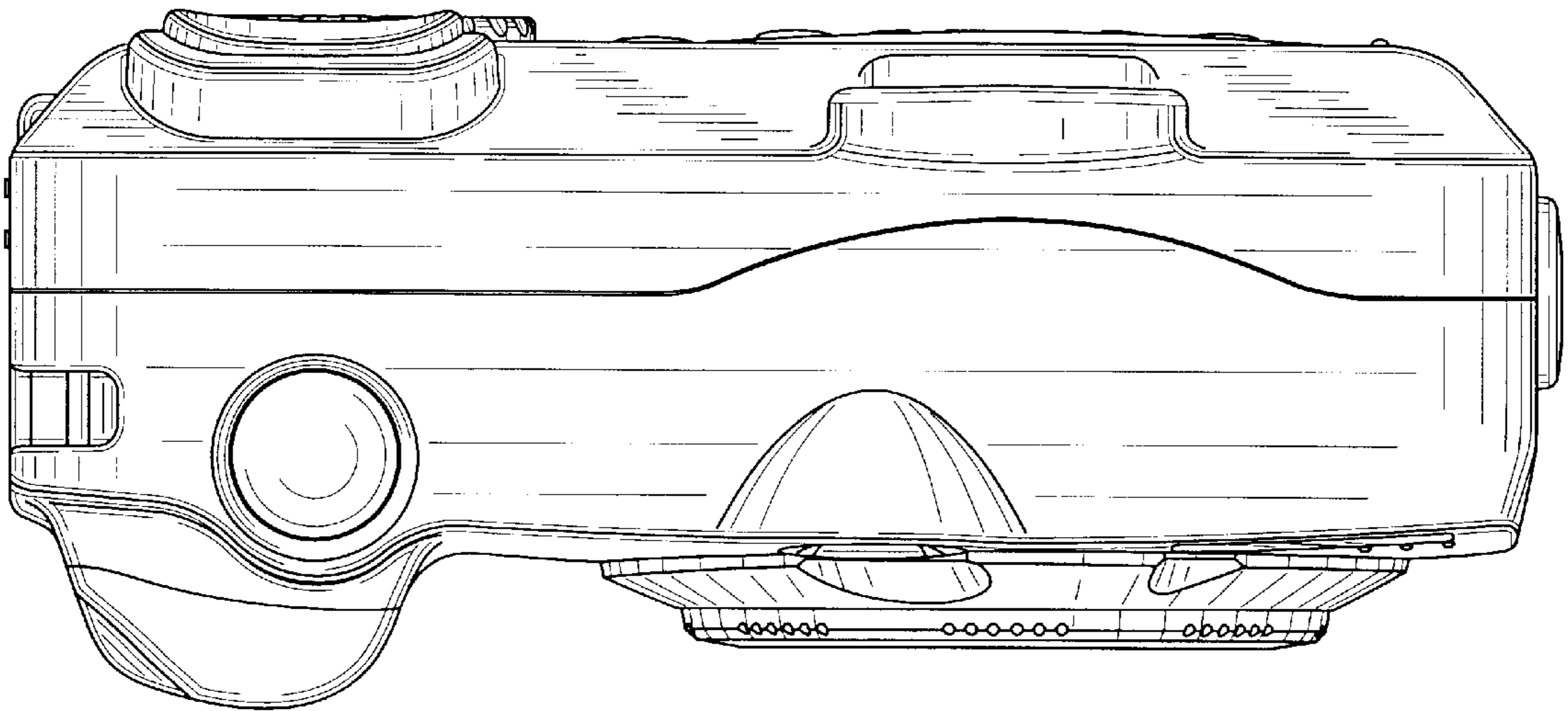


FIG. 4

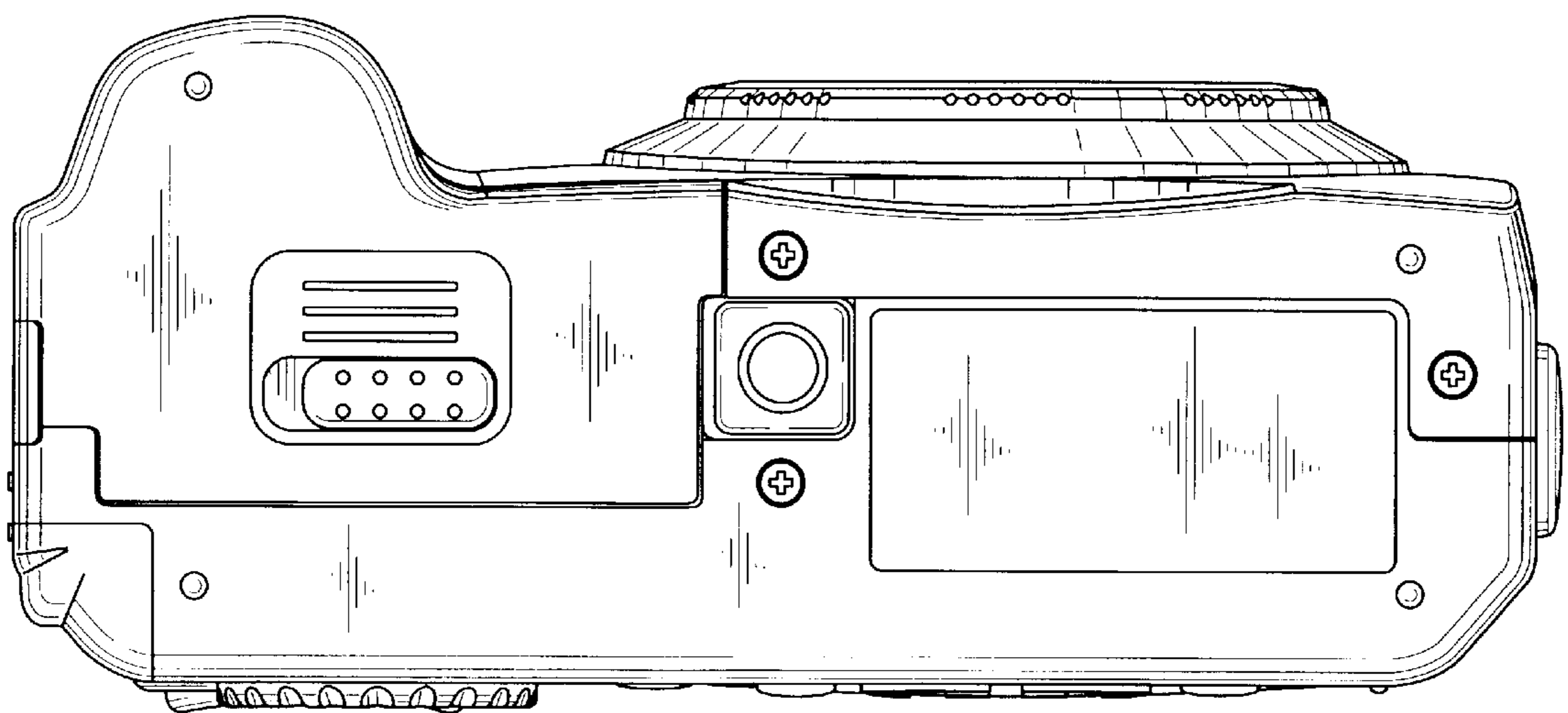


FIG. 5

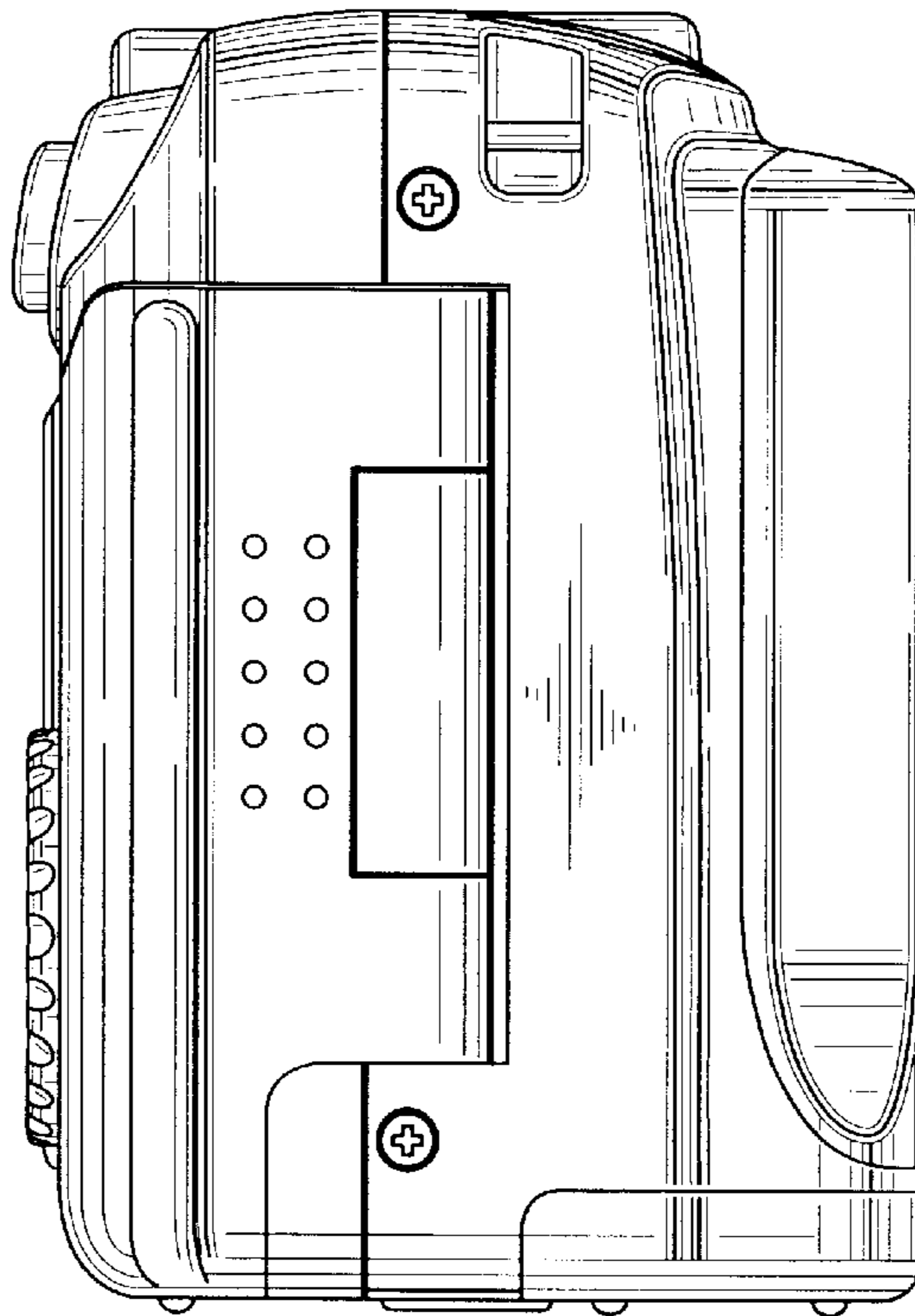


FIG. 6

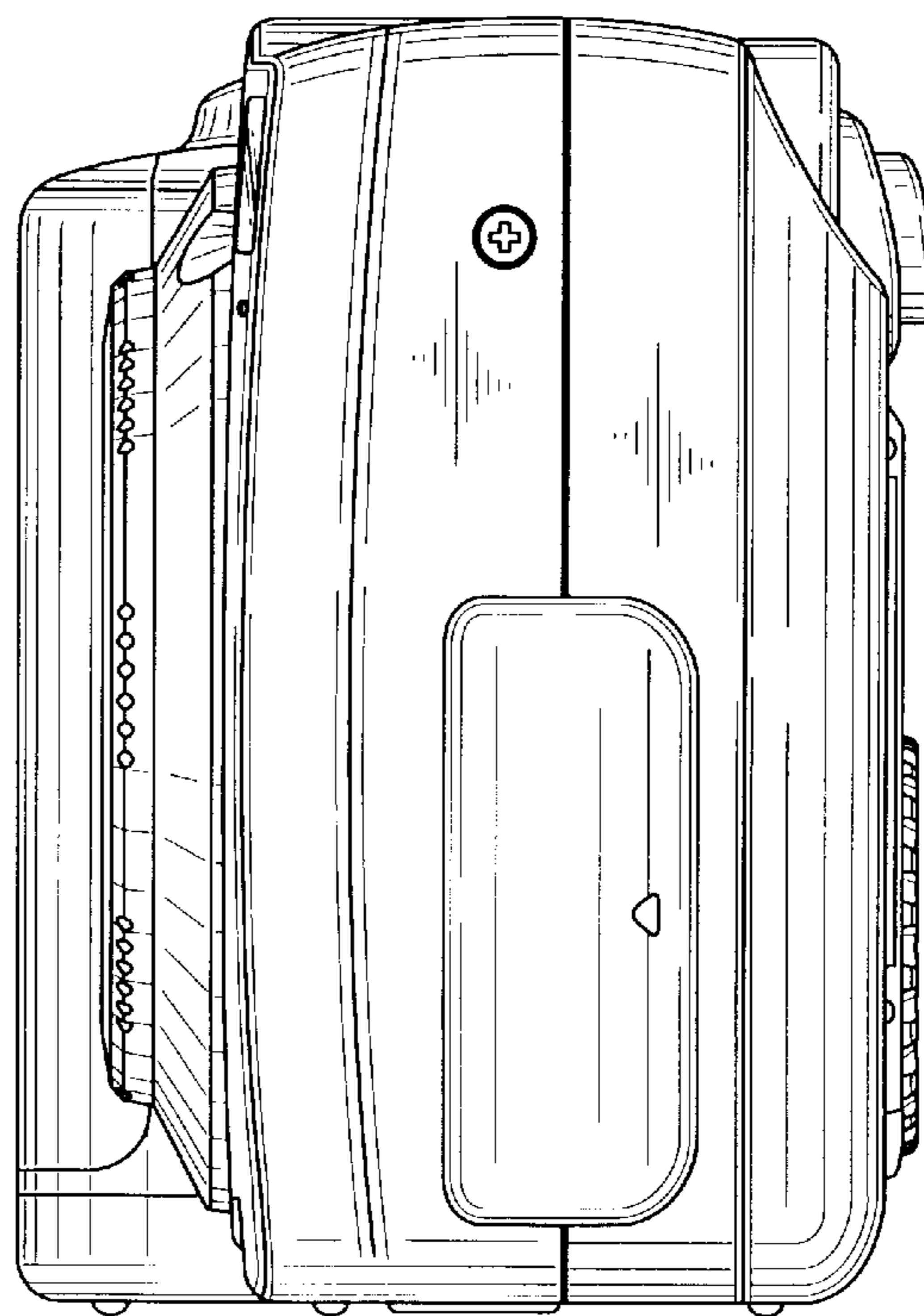


FIG. 7

