



US00D456433S

(12) **United States Design Patent**  
**Ito**

(10) **Patent No.:** **US D456,433 S**

(45) **Date of Patent:** **\*\* Apr. 30, 2002**

(54) **DIGITAL CAMERA**

(75) **Inventor:** **Hideki Ito, Kawagoe (JP)**

(73) **Assignee:** **Canon Kabushiki Kaisha, Tokyo (JP)**

(\*\*) **Term:** **14 Years**

(21) **Appl. No.:** **29/143,389**

(22) **Filed:** **Jun. 14, 2001**

(30) **Foreign Application Priority Data**

Dec. 28, 2000 (JP) ..... 2000-037787

(51) **LOC (7) Cl. .... 16-01**

(52) **U.S. Cl. .... D16/202; D16/206**

(58) **Field of Search .... D16/200-206,  
D16/208, 209, 217, 218; 348/373-376;  
358/906, 909.1; 396/535-541**

(56) **References Cited**

**U.S. PATENT DOCUMENTS**

D315,357 S \* 3/1991 Fukutomi ..... D16/202  
D330,562 S \* 10/1992 Takada et al. .... D16/202

D387,079 S \* 12/1997 Horikiri ..... D16/217  
D408,040 S \* 4/1999 Miyahara ..... D16/202  
D441,778 S \* 5/2001 Funakoshi ..... D16/202  
D447,500 S \* 9/2001 Funato ..... D16/202

\* cited by examiner

*Primary Examiner*—Adir Aronovich

(74) *Attorney, Agent, or Firm*—Fitzpatrick, Cella, Harper & Scinto

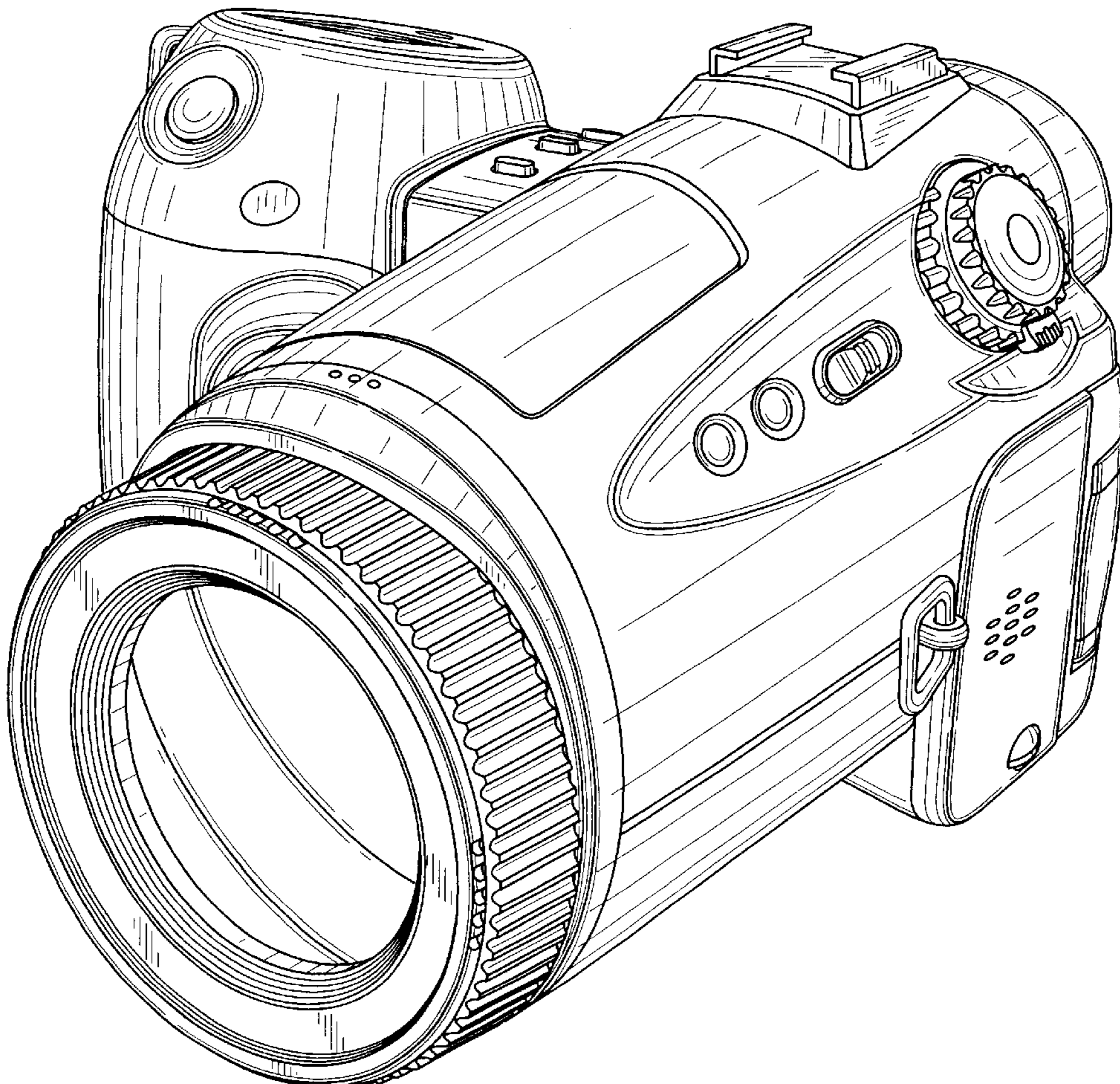
(57) **CLAIM**

The ornamental design for a digital camera, as shown and described.

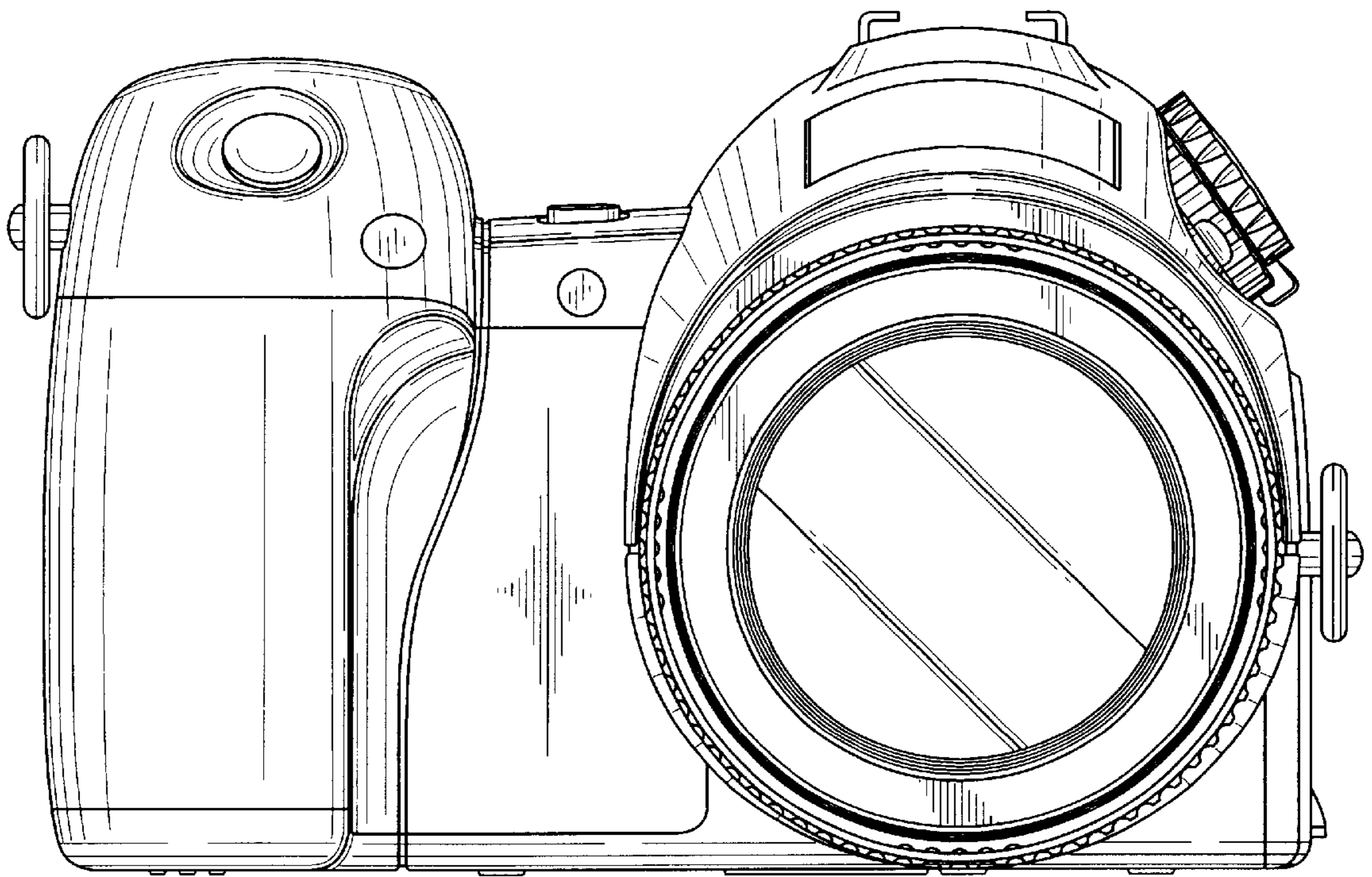
**DESCRIPTION**

FIG. 1 is a front view of a digital camera, showing my new design;  
FIG. 2 is a rear view thereof;  
FIG. 3 is a top plan view thereof;  
FIG. 4 is a bottom plan view thereof;  
FIG. 5 is a left side view thereof;  
FIG. 6 is a right side view thereof; and,  
FIG. 7 is a perspective view thereof.

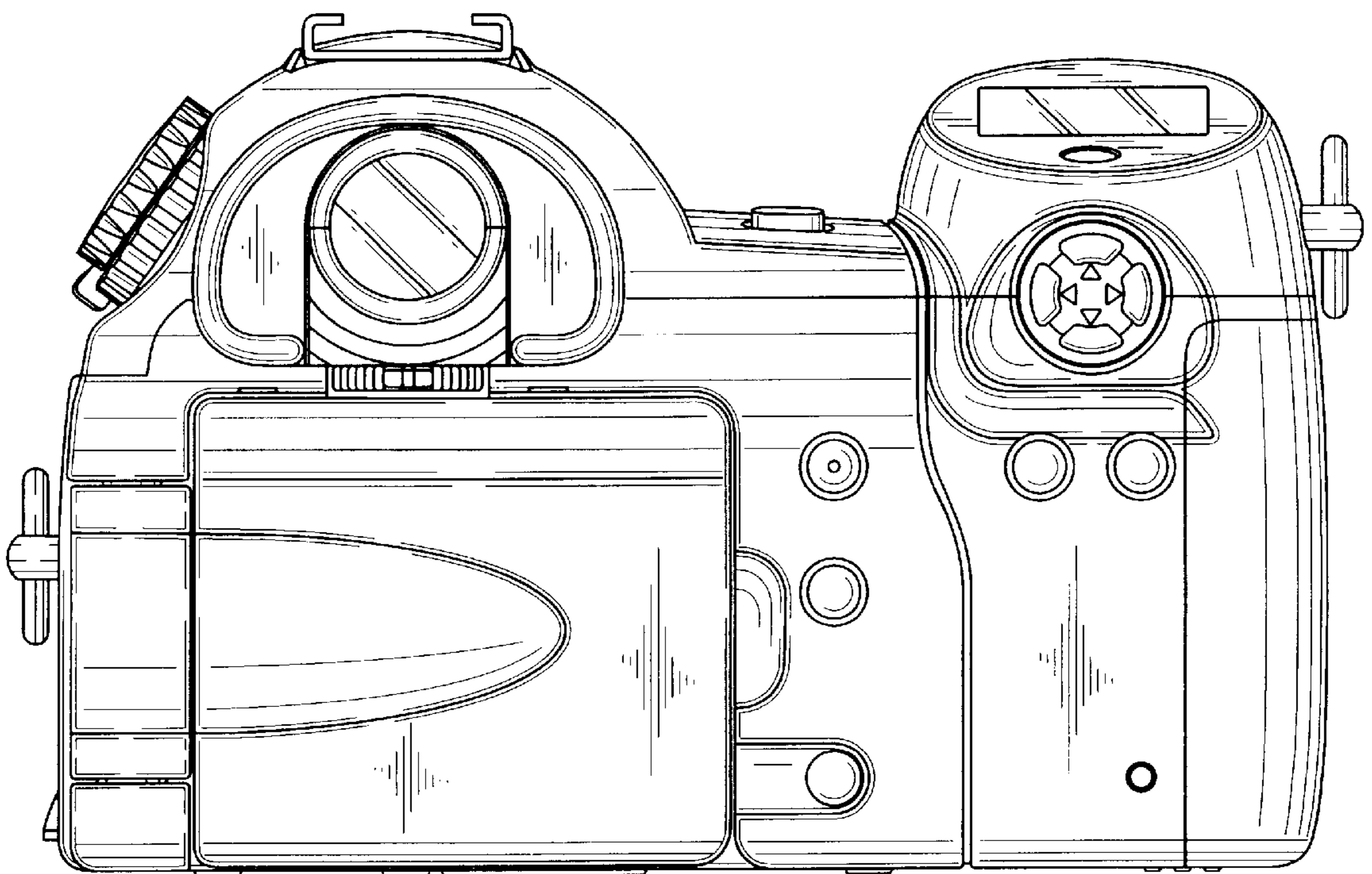
**1 Claim, 5 Drawing Sheets**



*FIG. 1*



*FIG. 2*





*FIG. 3*

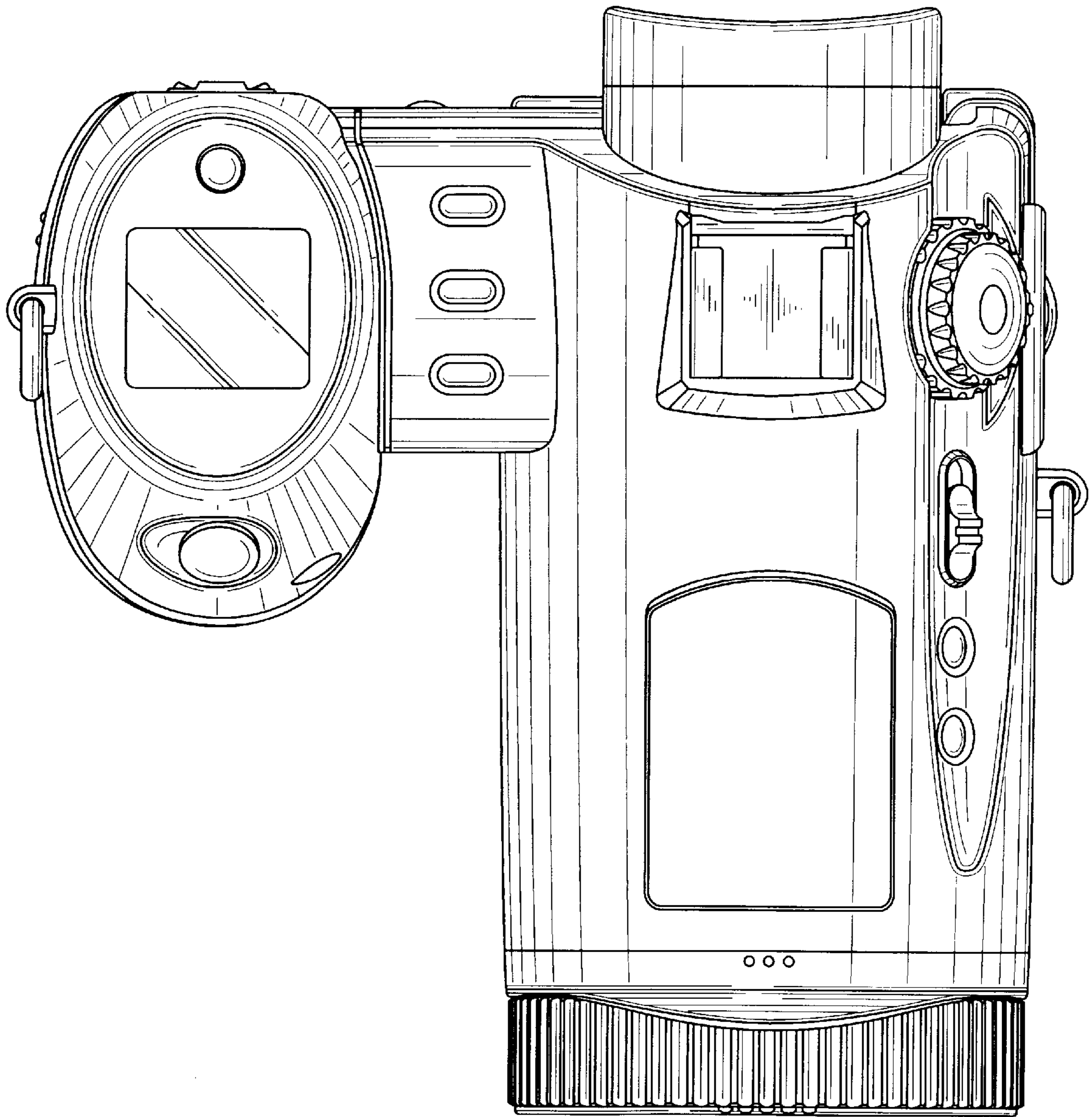
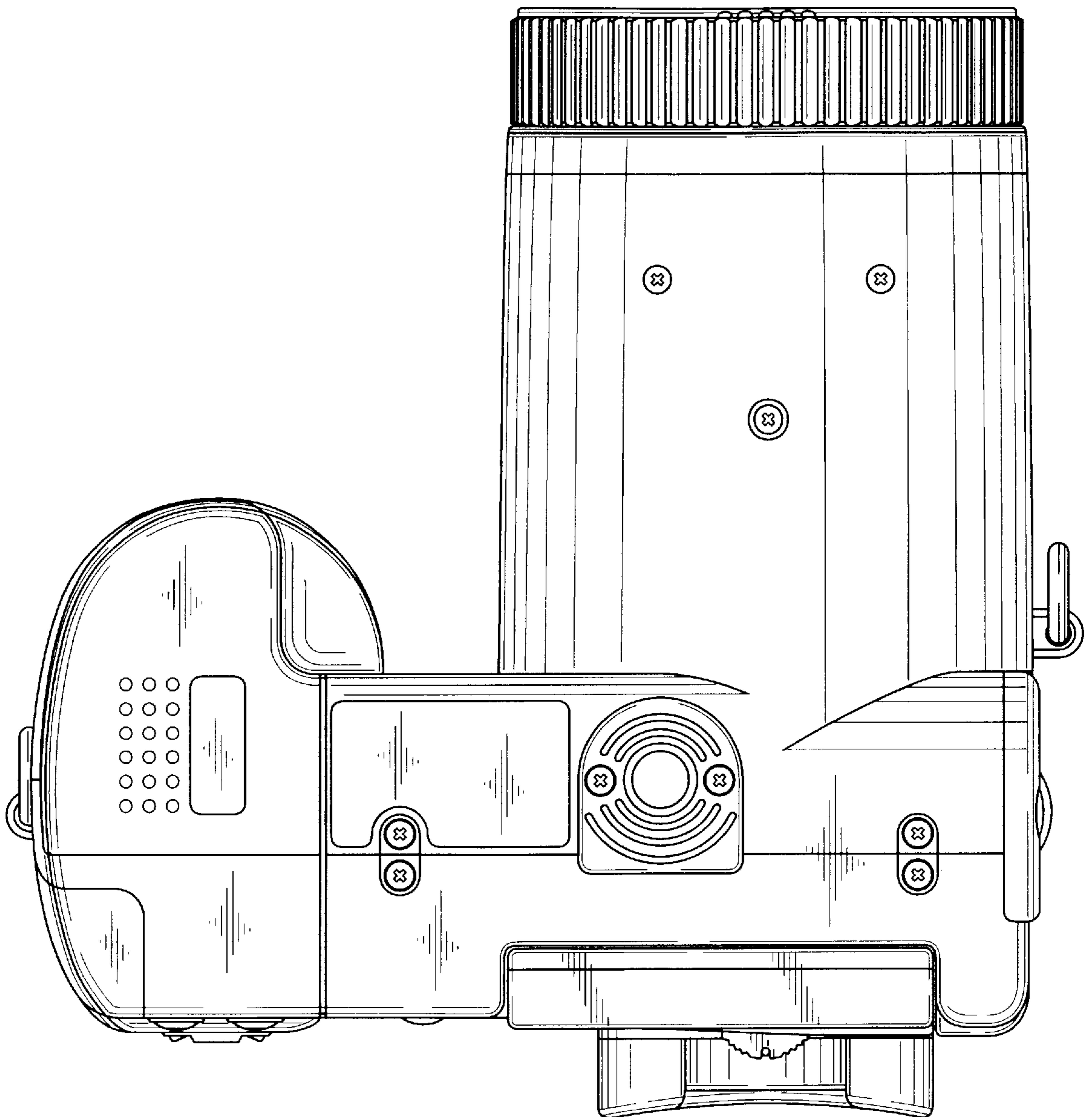
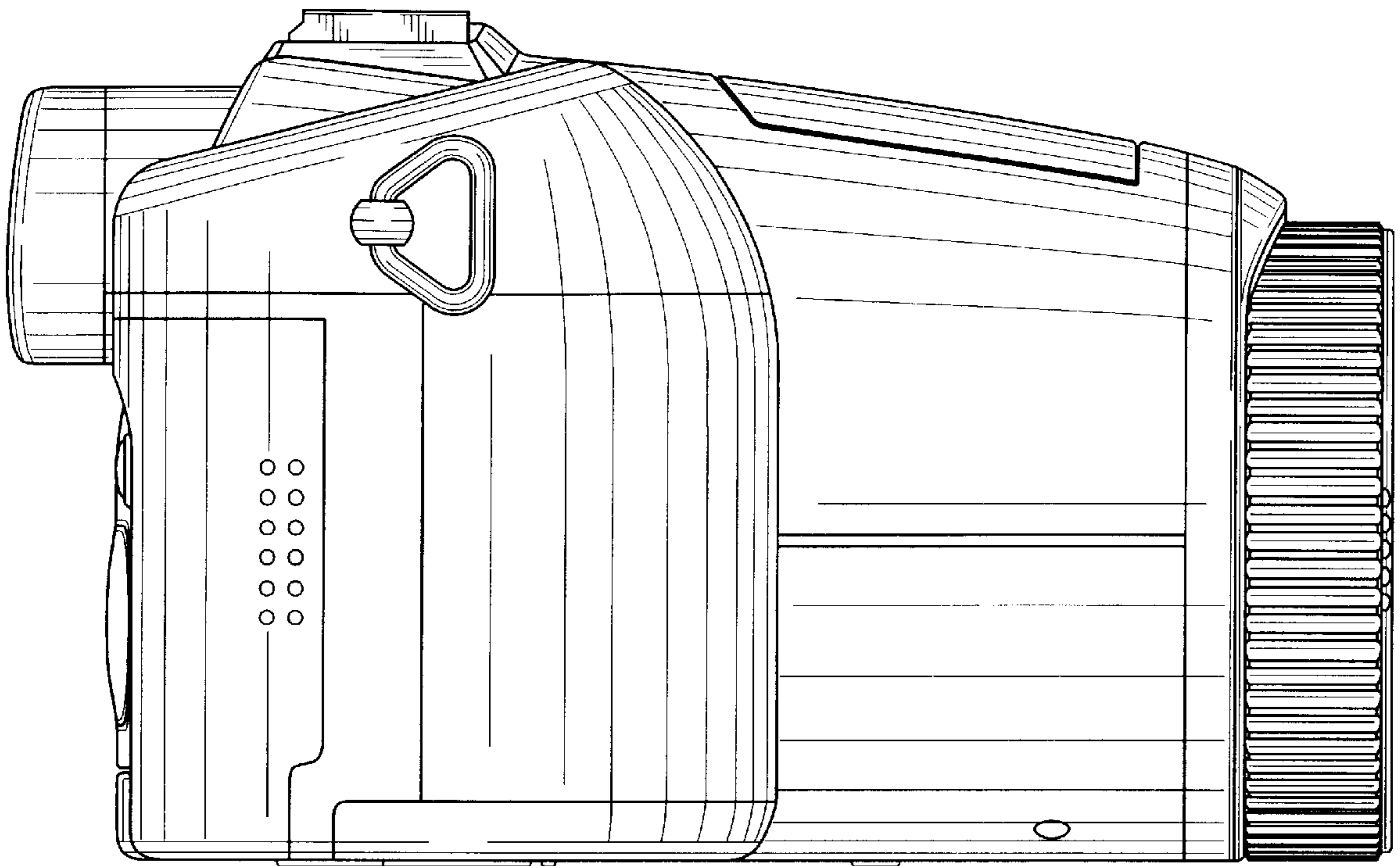


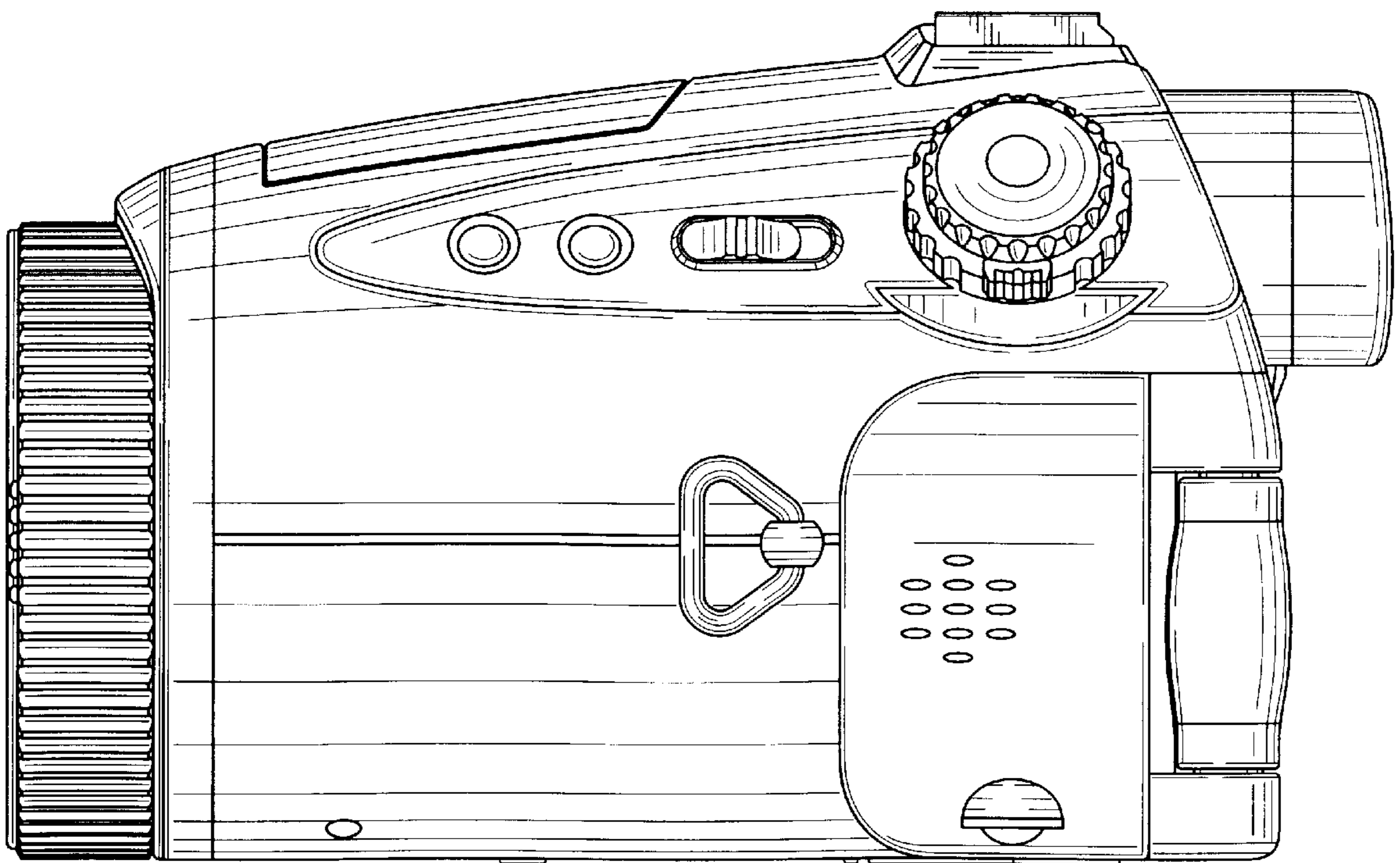
FIG. 4



*FIG. 5*



*FIG. 6*





*FIG. 7*

