



US00D456432S

(12) **United States Design Patent**  
**Kim**

(10) **Patent No.:** **US D456,432 S**

(45) **Date of Patent:** **\*\* Apr. 30, 2002**

(54) **CAMERA FOR A PERSONAL COMPUTER**

KR 30-0259724 5/2000

(75) Inventor: **Young Hoon Kim**, Kyungki-do (KR)

\* cited by examiner

(73) Assignee: **Samsung Electro-Mechanics Co., Ltd.**  
(KR)

*Primary Examiner*—Adir Aronovich  
(74) *Attorney, Agent, or Firm*—Webb Ziesenheim Logsdon  
Orkin & Hanson, P.C.

(\*\*) Term: **14 Years**

(57) **CLAIM**

(21) Appl. No.: **29/137,313**

The ornamental design for a camera for a personal computer,  
as shown and described.

(22) Filed: **Feb. 16, 2001**

(30) **Foreign Application Priority Data**

Oct. 31, 2000 (KR) ..... 00-27717

(51) **LOC (7) Cl.** ..... **16-01**

(52) **U.S. Cl.** ..... **D16/202**

(58) **Field of Search** ..... D14/130; D16/200-205;  
348/14.08, 14.09, 14.1, 14.11-14.16, 373-376;  
358/906, 909.1; 396/419, 535-541

**DESCRIPTION**

FIG. 1 is a perspective of a camera for personal computer  
showing my new design:

FIG. 2 is a front view thereof;

FIG. 3 is a rear view thereof;

FIG. 4 is a left side elevation view thereof, the right side  
being a mirror image;

FIG. 5 is a top plan view thereof;

FIG. 6 is a bottom view thereof;

FIG. 7 is a reduced perspective view of the camera for a  
personal computer in use, the broken lines of fragmentary  
camera base, keyboard, monitor and cord are shown to  
illustrate environment only and form no part of the claimed  
design; and,

FIG. 8 is a reduced perspective view of the camera for a  
personal computer in use, placed on the top of a fragmentary  
monitor, said monitor, camera base and cord are shown in  
broken lines to illustrate environment only and form no part  
of the claimed design.

(56) **References Cited**

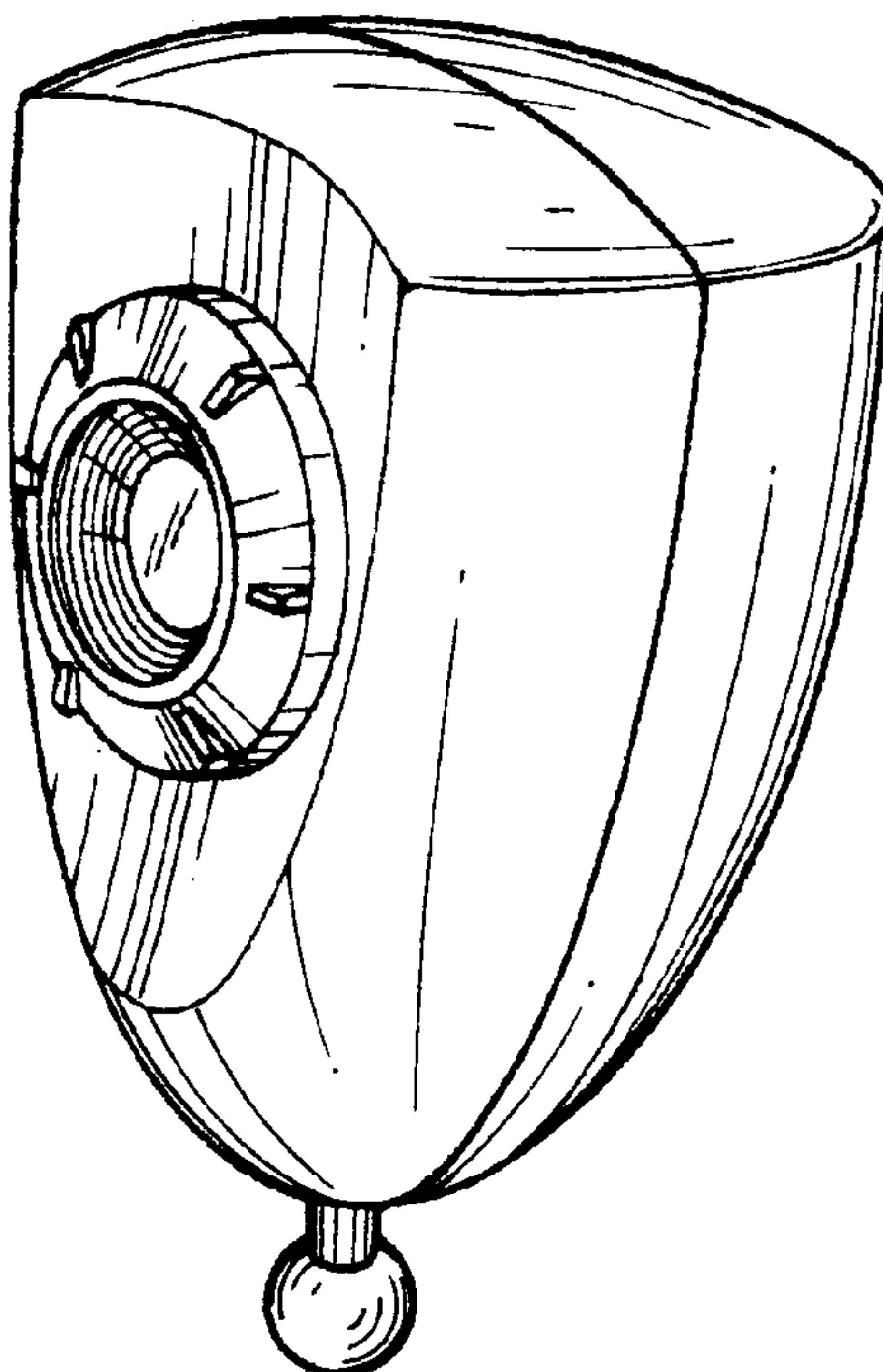
**U.S. PATENT DOCUMENTS**

- 5,374,952 A \* 12/1994 Flohr ..... 348/14.08
- D387,789 S \* 12/1997 Sumida et al. .... D16/202
- D390,244 S \* 2/1998 Yamakawa et al. .... D16/202
- D394,274 S \* 5/1998 Suzuki ..... D16/202
- D396,869 S \* 8/1998 Yamakawa et al. .... D16/202
- D441,000 S \* 4/2001 Vanderwilt et al. .... D16/202

**FOREIGN PATENT DOCUMENTS**

KR 30-0259723 5/2000

**1 Claim, 5 Drawing Sheets**



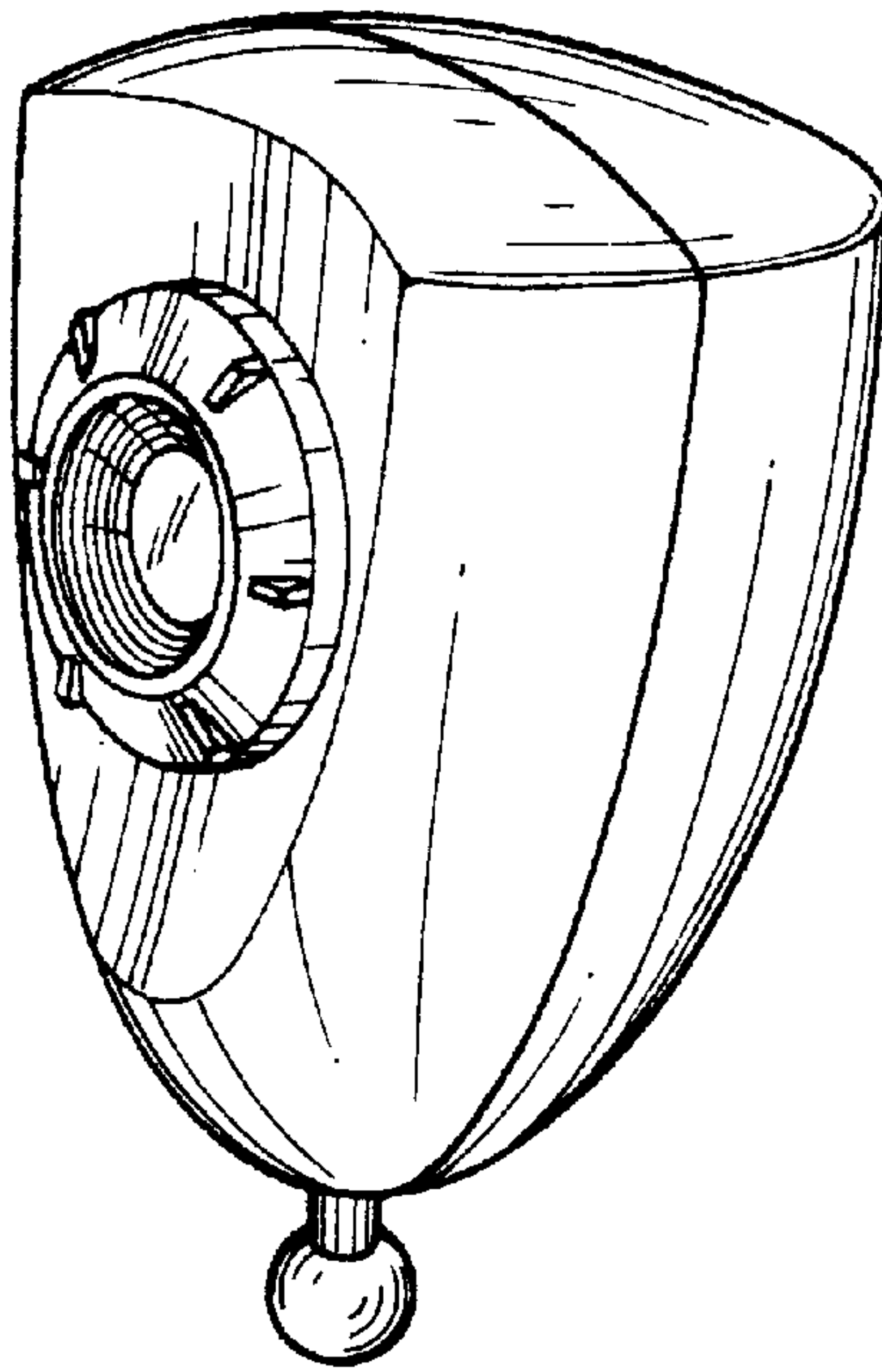


FIG. 1

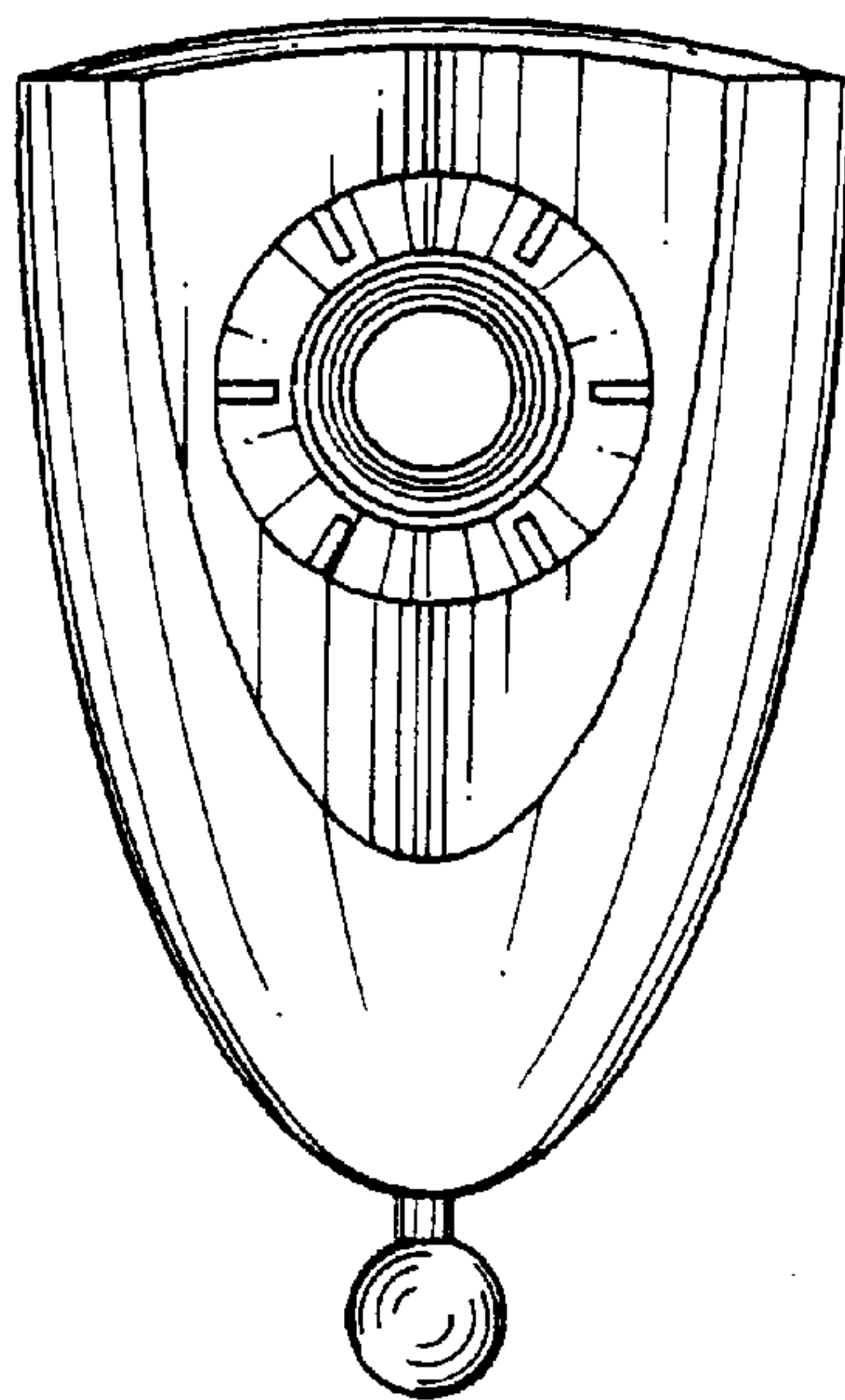


FIG. 2

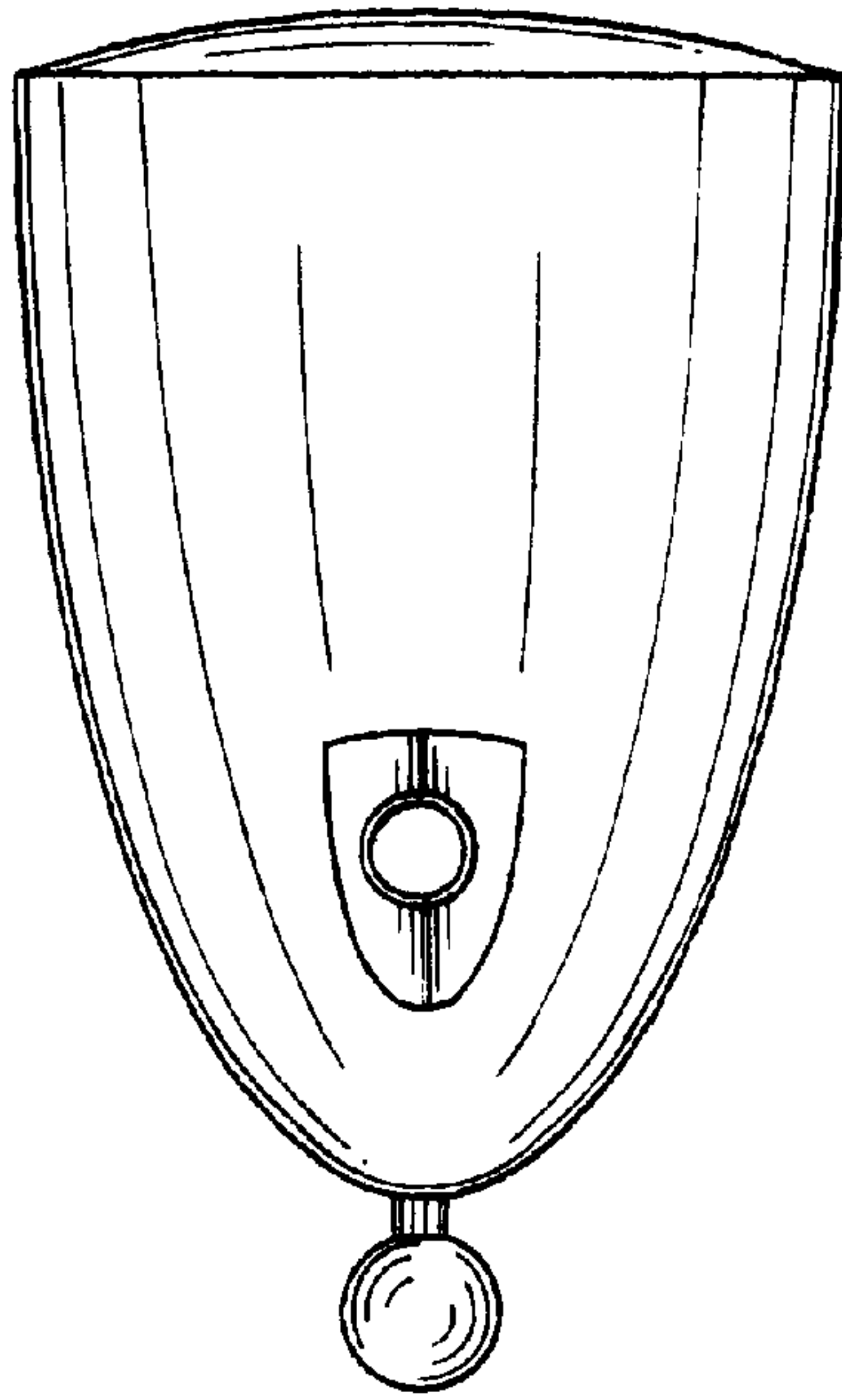


FIG. 3

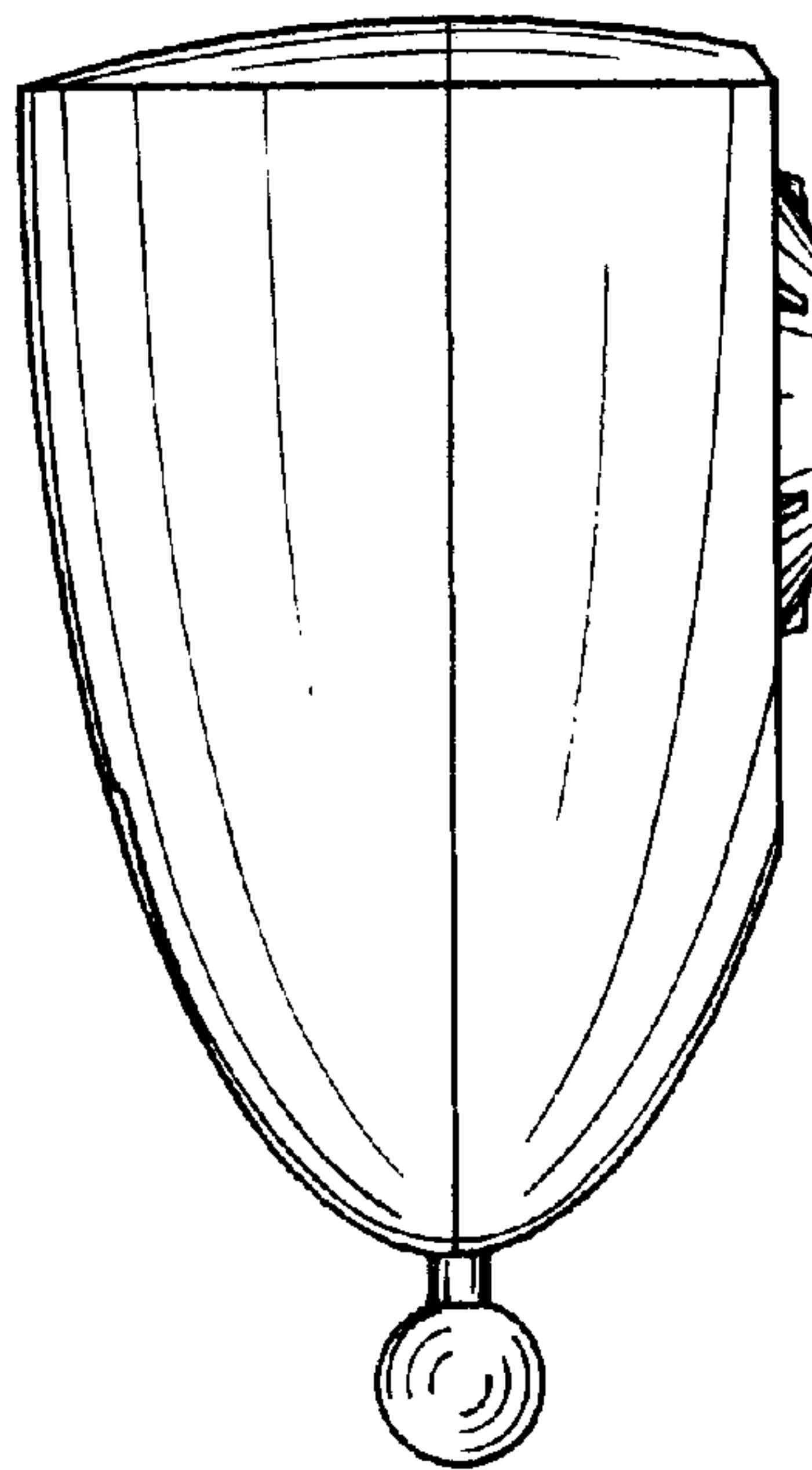


FIG. 4

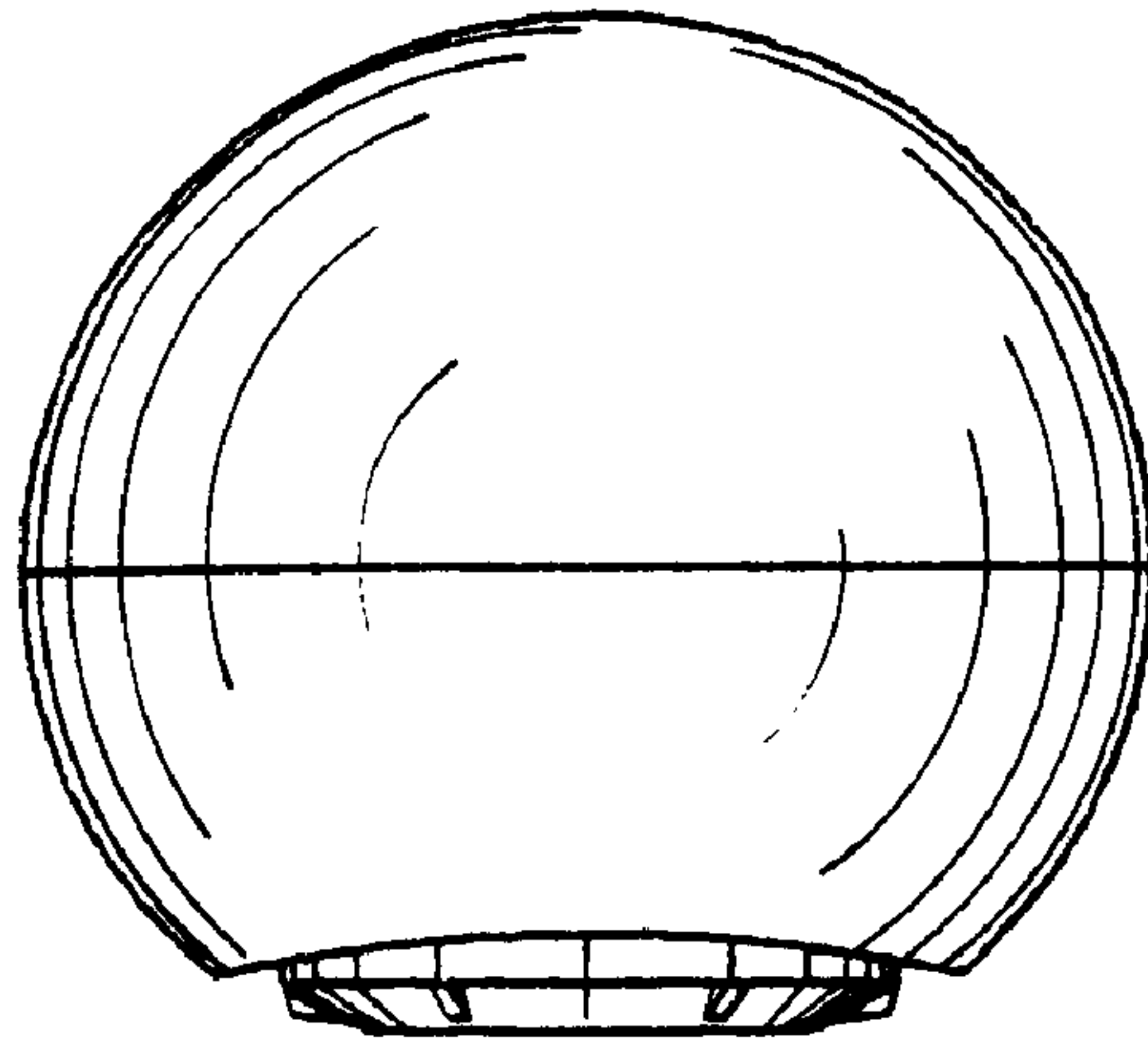


FIG. 5

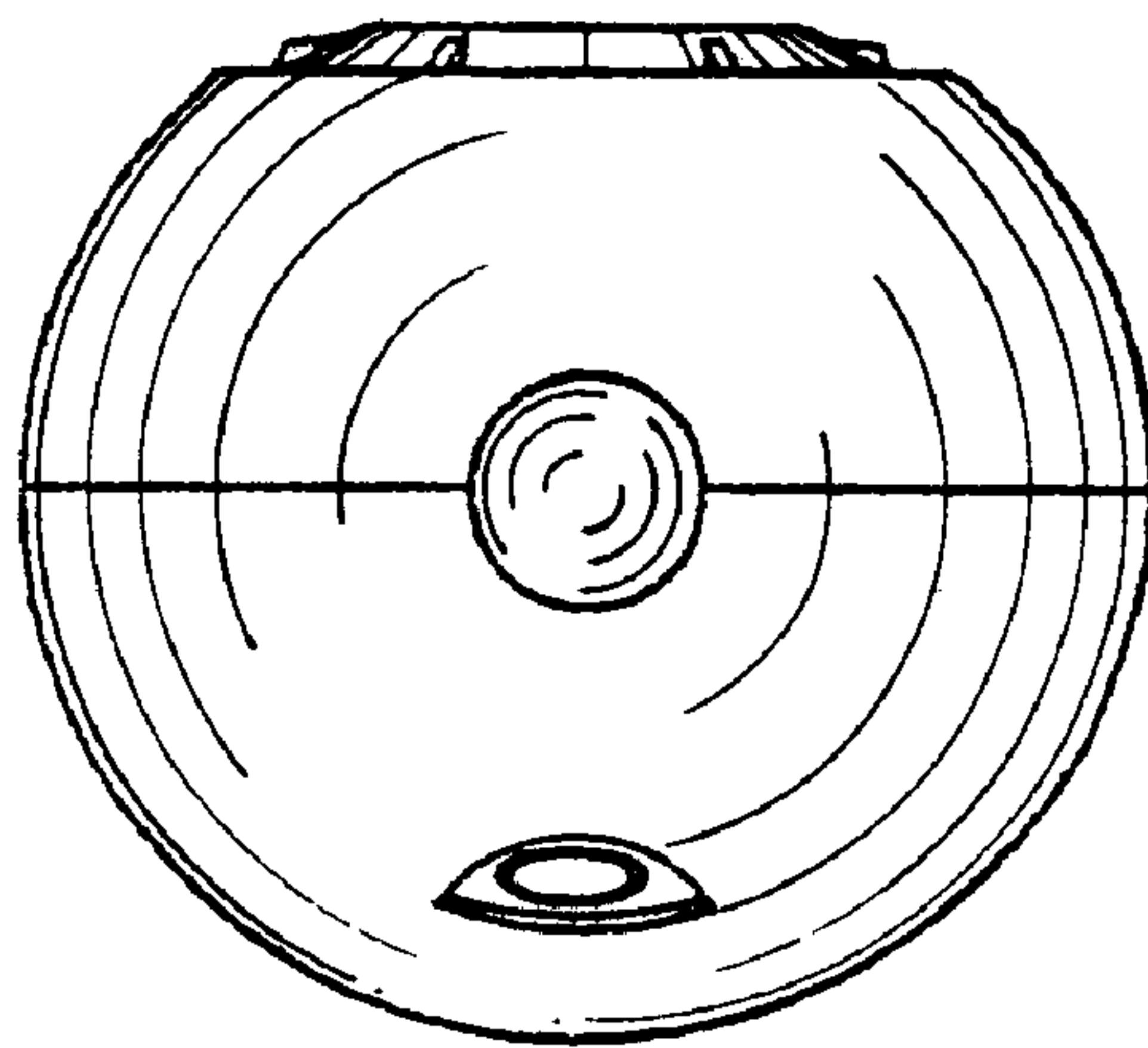


FIG. 6

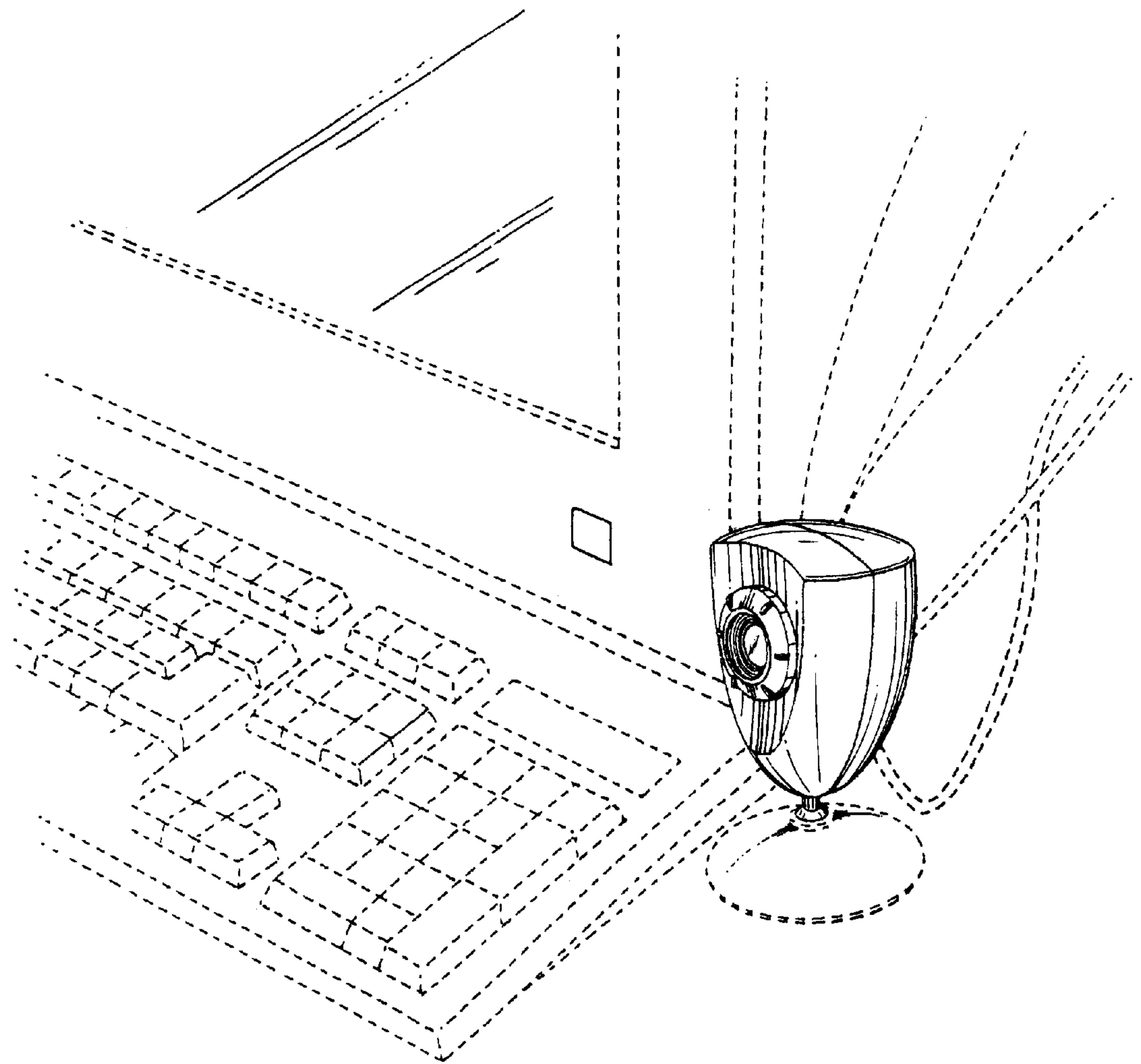


FIG. 7

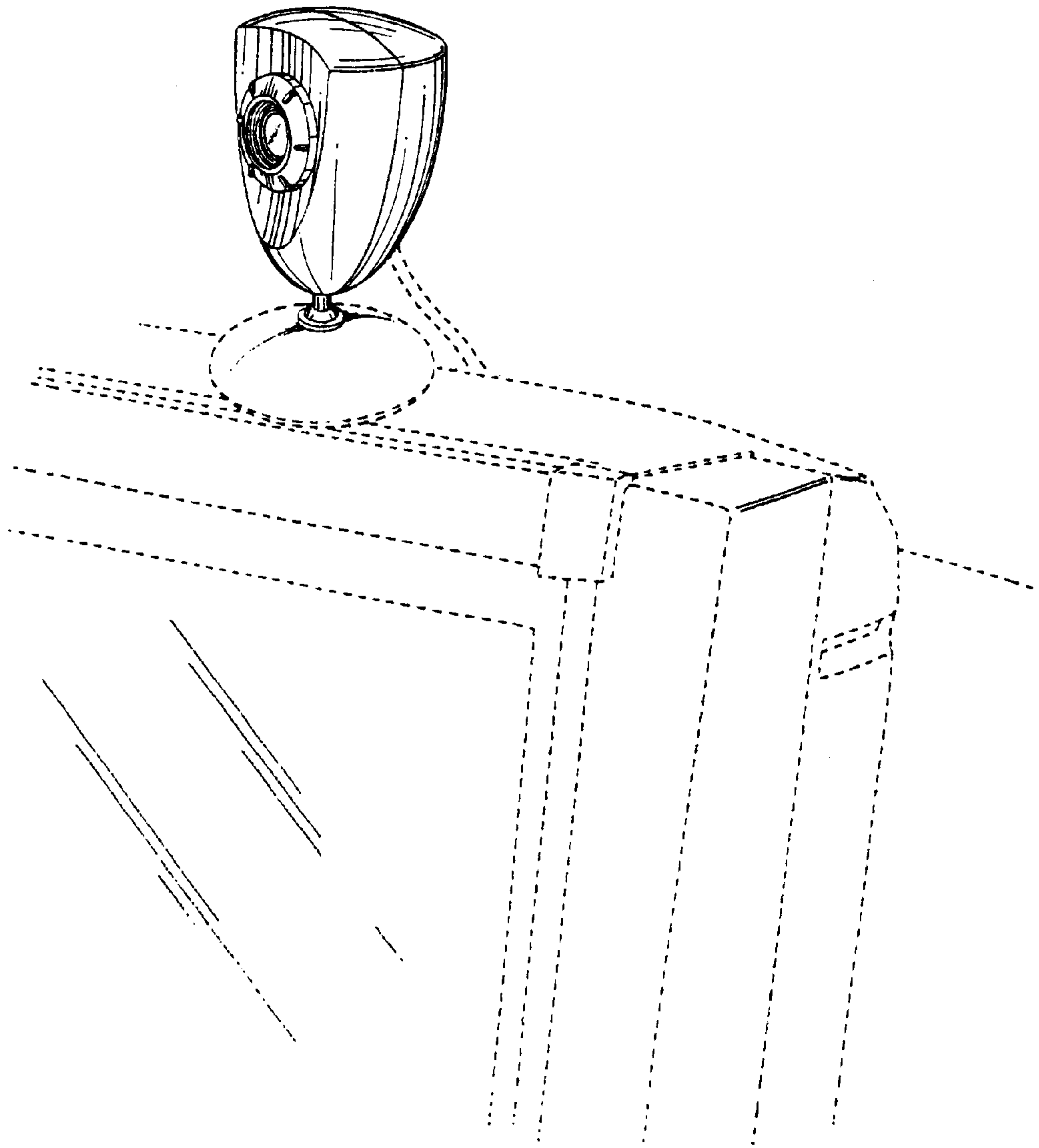


FIG. 8



UNITED STATES PATENT AND TRADEMARK OFFICE  
**CERTIFICATE OF CORRECTION**

PATENT NO. : Des 456,432 S  
DATED : April 30, 2002  
INVENTOR(S) : Young Hoon Kim

Page 1 of 1

It is certified that error appears in the above-identified patent and that said Letters Patent is hereby corrected as shown below:

Title page,

**DESCRIPTION,**

Line 1, "perspective" should read -- perspective view --.

Signed and Sealed this

Twenty-third Day of July, 2002

*Attest:*

A handwritten signature in black ink, appearing to read "James E. Rogan", with a horizontal line drawn underneath it.

*Attesting Officer*

JAMES E. ROGAN  
*Director of the United States Patent and Trademark Office*