



US00D456431S

(12) **United States Design Patent**
Kim

(10) **Patent No.:** **US D456,431 S**

(45) **Date of Patent:** **** Apr. 30, 2002**

(54) **DIGITAL CAMERA**

(75) **Inventor:** **Joo Bok Kim, Changwon (KR)**

(73) **Assignee:** **Samsung Techwin Co., Ltd., Changwon (KR)**

(**) **Term:** **14 Years**

(21) **Appl. No.:** **29/126,926**

(22) **Filed:** **Jul. 26, 2000**

(30) **Foreign Application Priority Data**

Feb. 3, 2000 (KR) 00-2818

(51) **LOC (7) Cl.** **16-01**

(52) **U.S. Cl.** **D16/202**

(58) **Field of Search** D16/200-206,
D16/208, 209, 217, 218; 348/373-376;
358/909.1; 396/535-541

(56) **References Cited**

U.S. PATENT DOCUMENTS

D421,761 S * 3/2000 Chang et al. D16/209

D424,085 S * 5/2000 Naito D16/202

D431,583 S * 10/2000 Matsuda D16/202

D437,869 S * 2/2001 Nakanishi et al. D16/219

D442,614 S * 5/2001 Sumita D16/202

* cited by examiner

Primary Examiner—Adir Aronovich

(74) *Attorney, Agent, or Firm*—Dellett and Walters

(57) **CLAIM**

I claim the ornamental design for a digital camera, as shown and described.

DESCRIPTION

FIG. 1 is a perspective view of the design for a digital camera;

FIG. 2 is a front elevational view of the design of FIG. 1;

FIG. 3 is a rear elevational view of the design of FIG. 1;

FIG. 4 is a left side view of the design of FIG. 1;

FIG. 5 is a right side view of the design of FIG. 1;

FIG. 6 is a top plan view of the design of FIG. 1; and,

FIG. 7 is a bottom plan view of the design of FIG. 1.

1 Claim, 4 Drawing Sheets

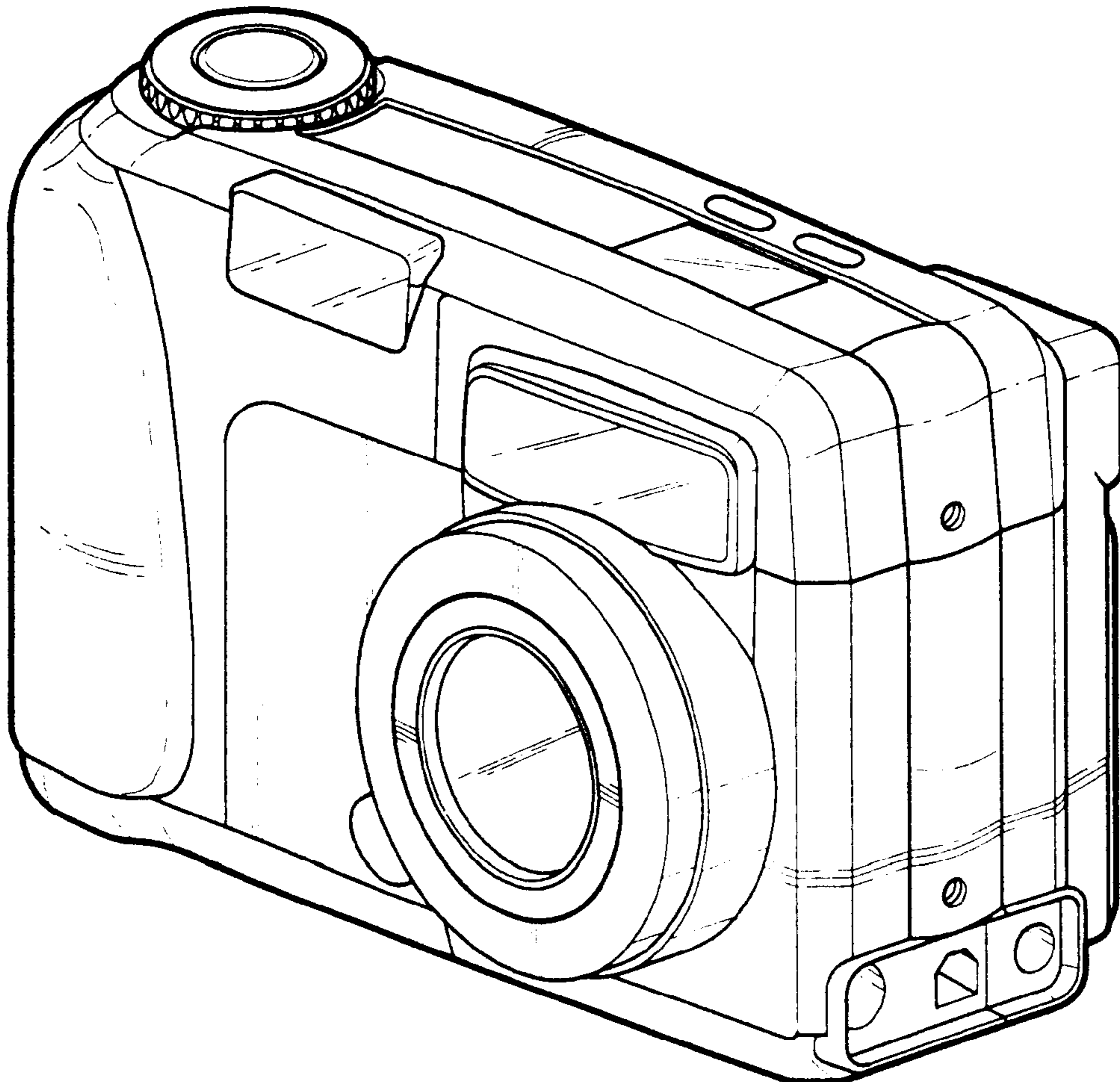


FIG. 1

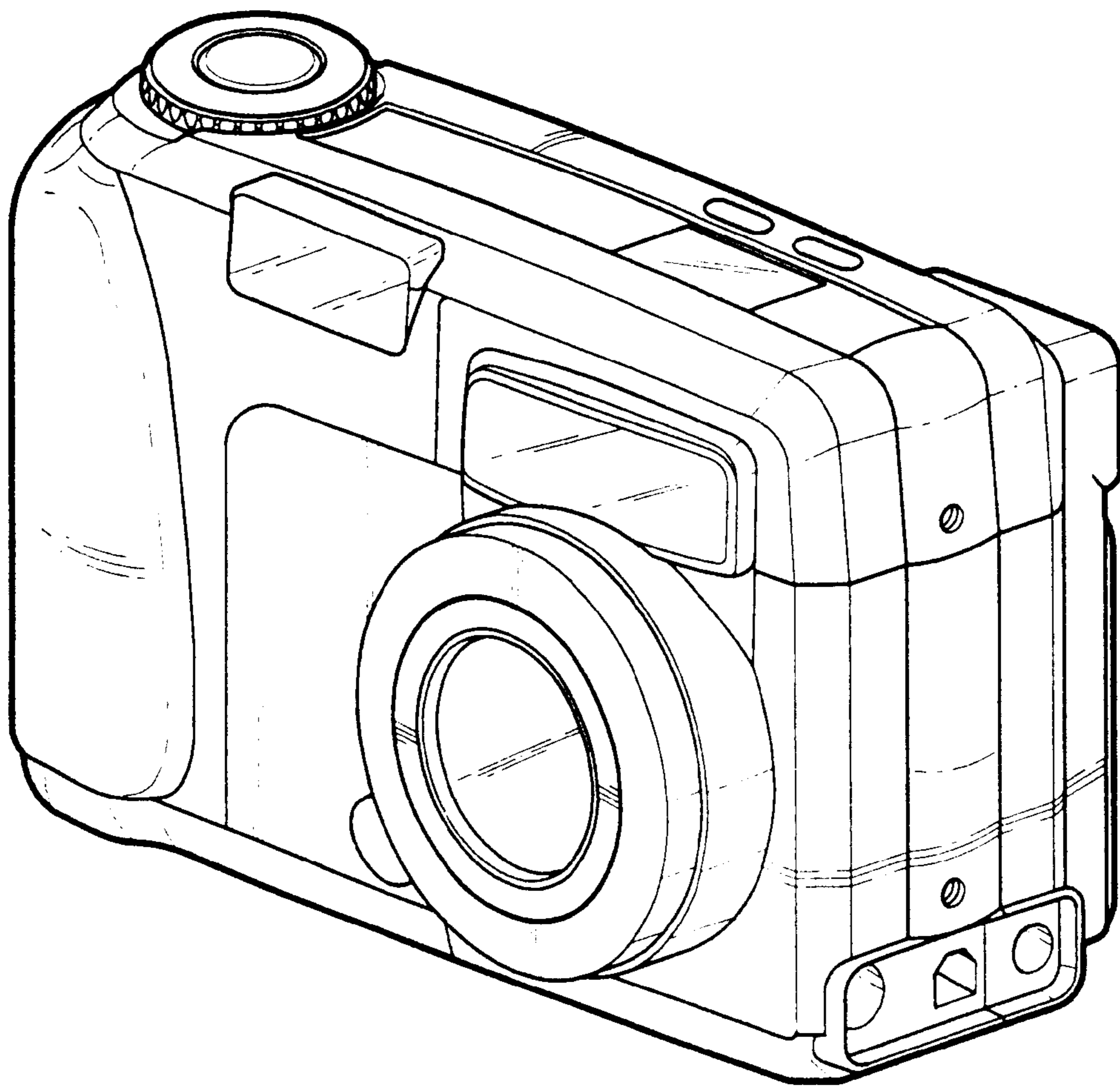


FIG. 2

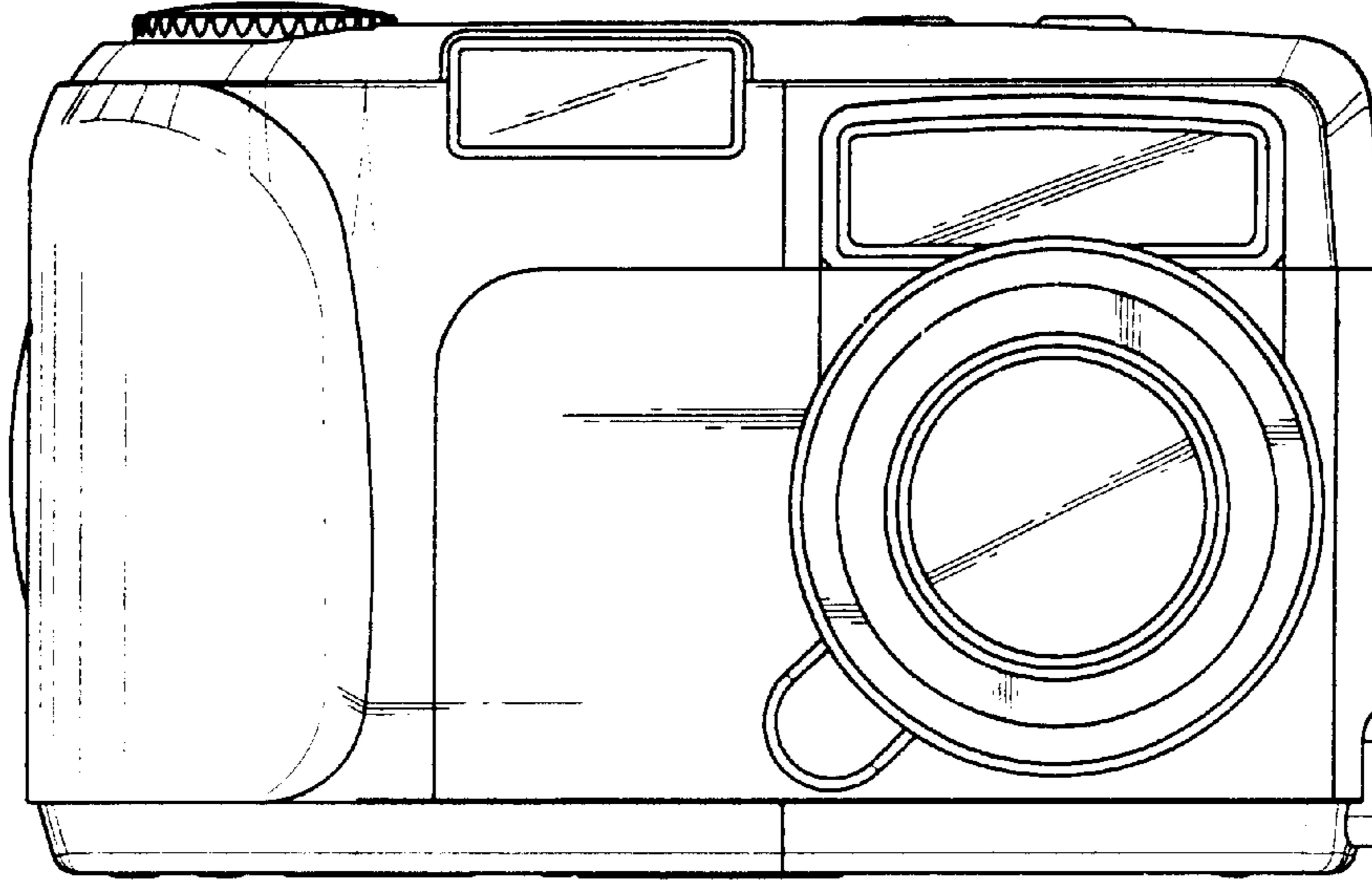


FIG. 3

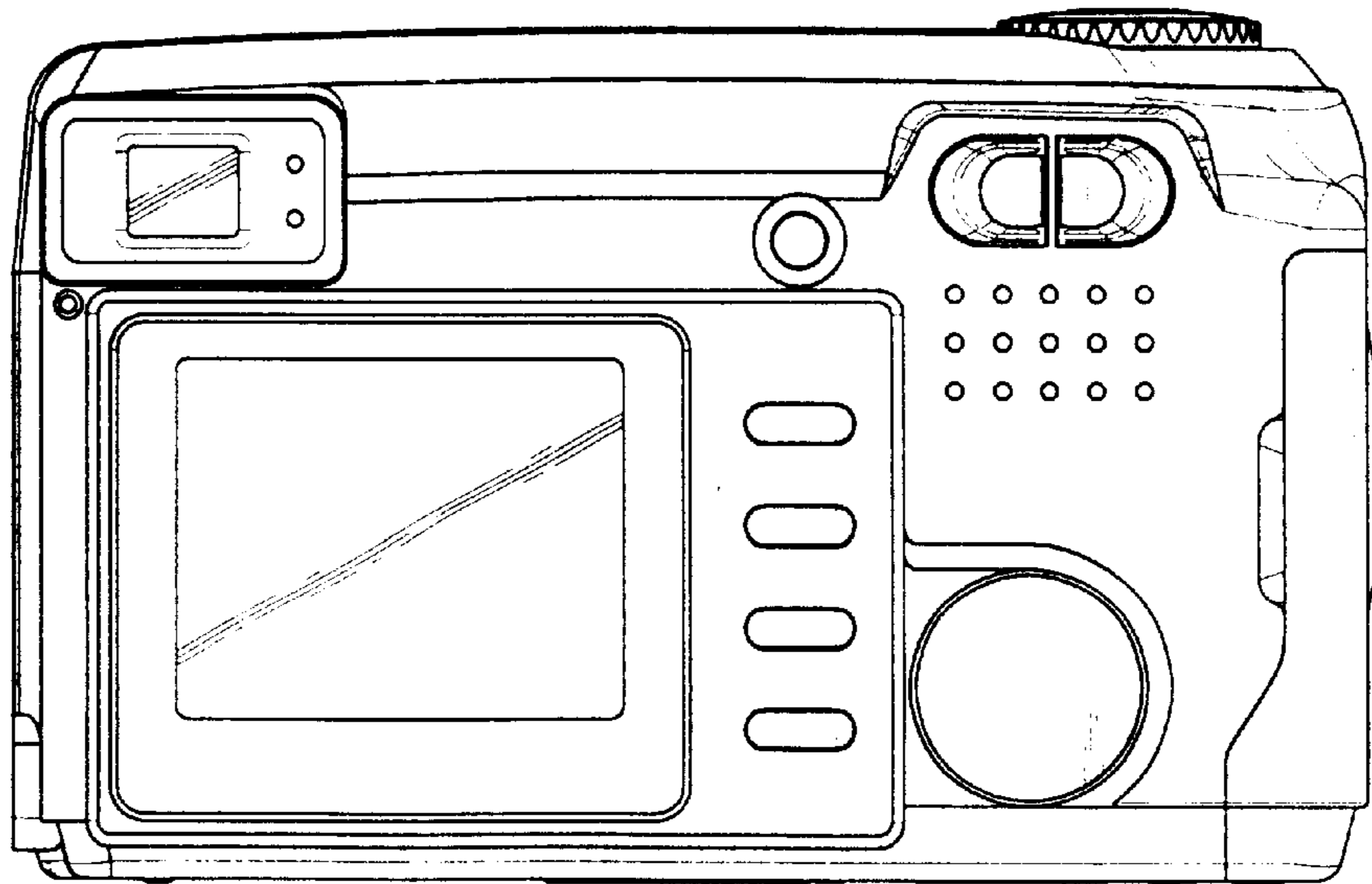


FIG. 4

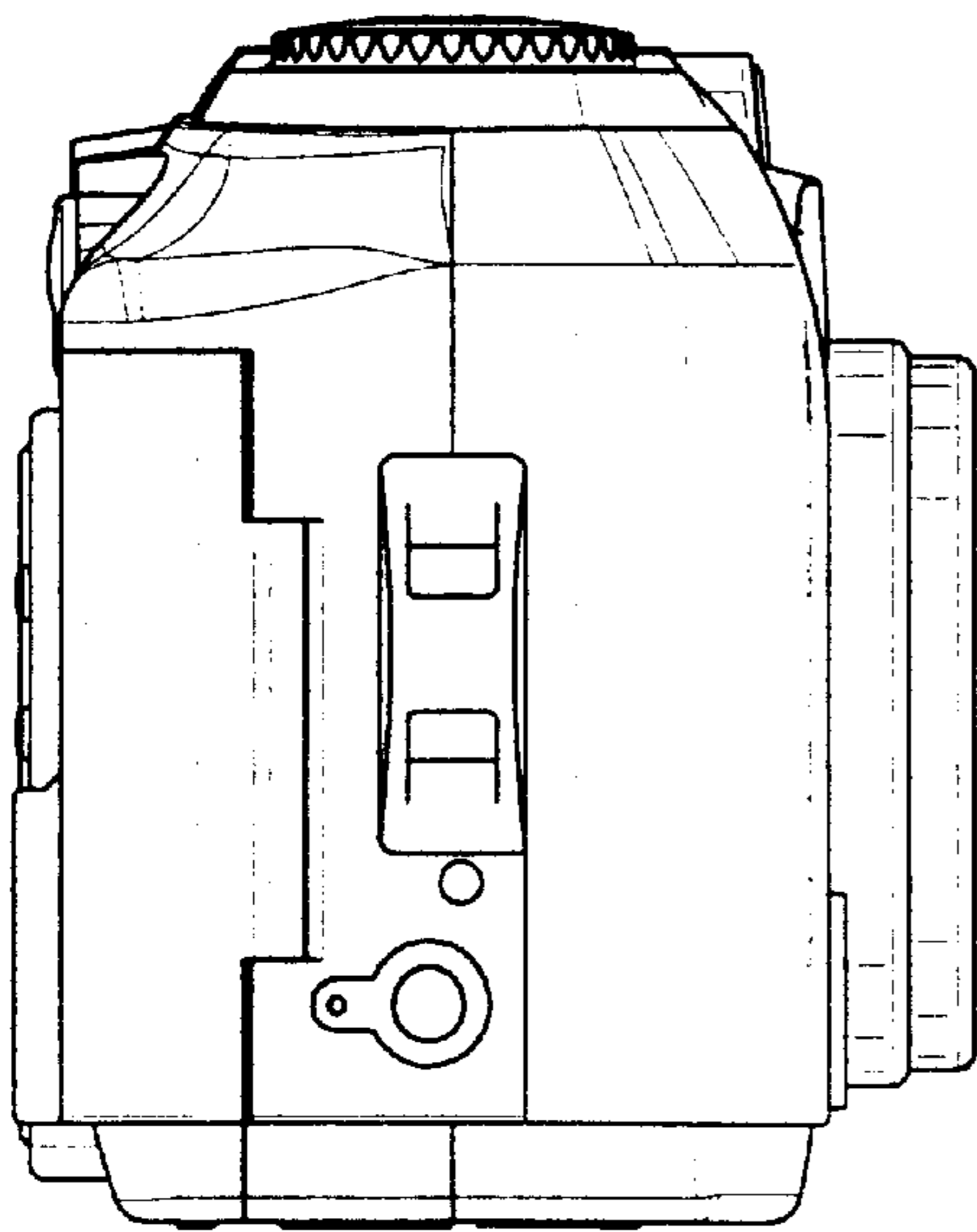


FIG. 5

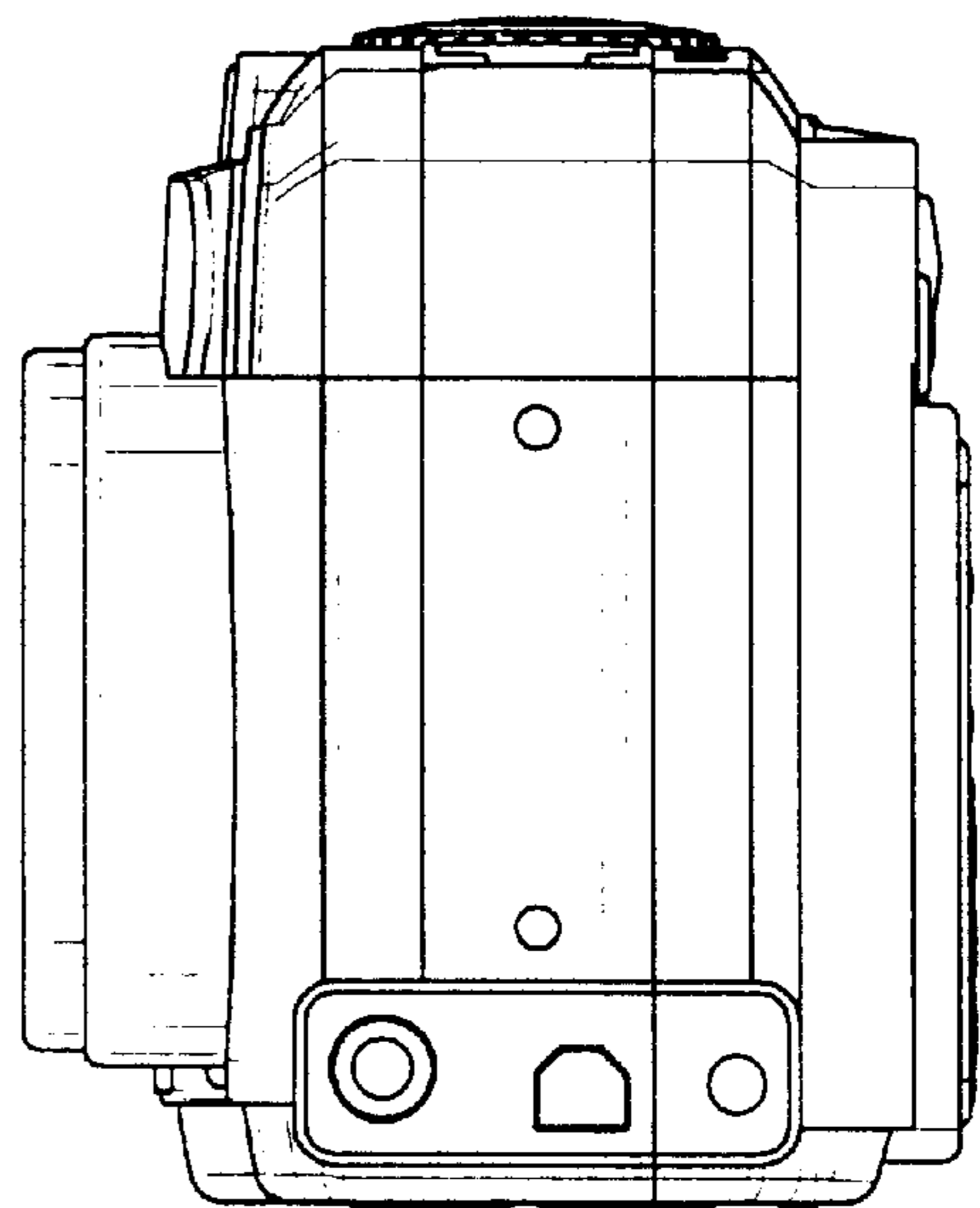


FIG. 6

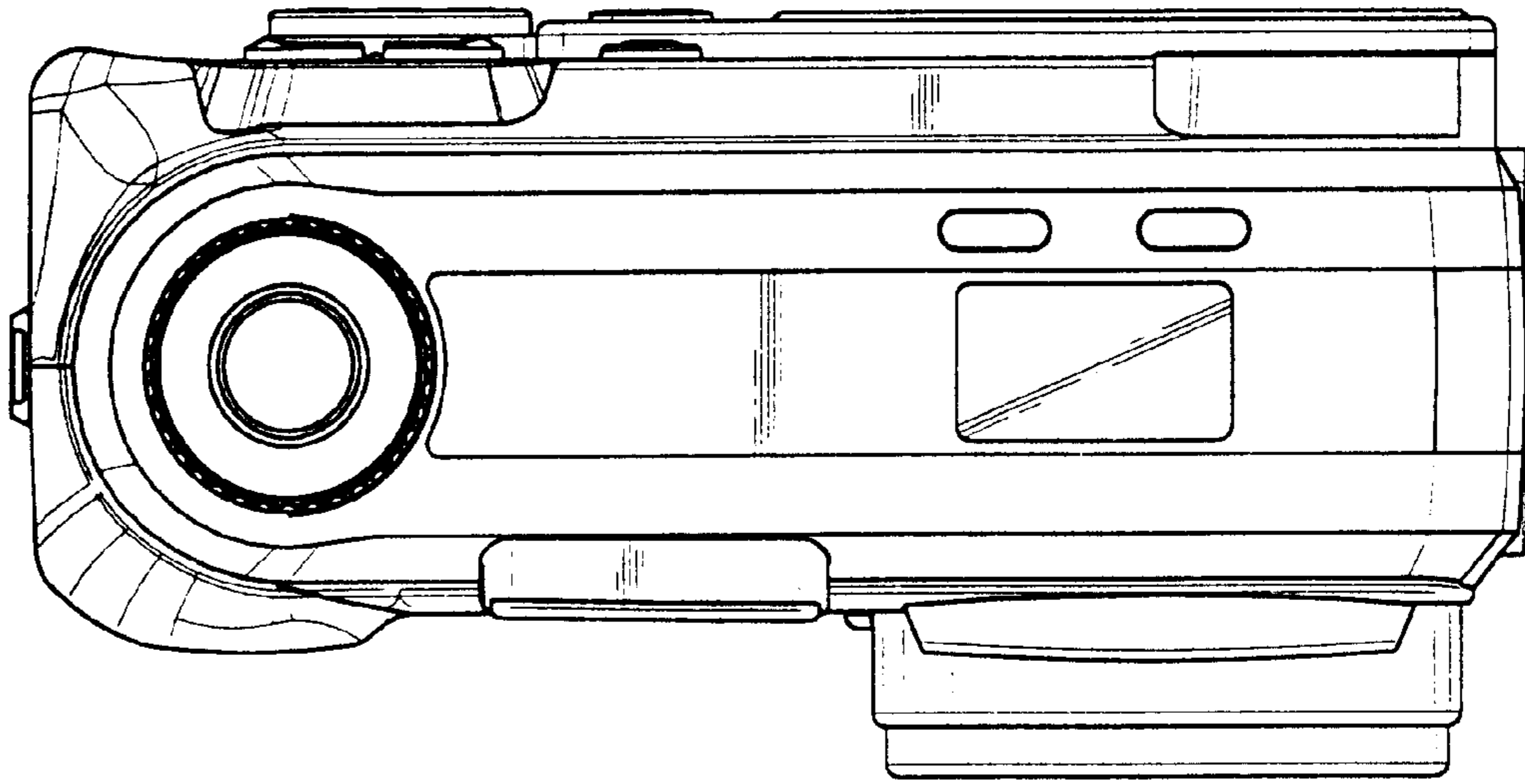


FIG. 7

