



US00D456430S

(12) **United States Design Patent**
Kobayashi et al.

(10) **Patent No.:** **US D456,430 S**

(45) **Date of Patent:** **** Apr. 30, 2002**

(54) **DIGITAL STILL CAMERA**

D424,084 S * 5/2000 Senda D16/202
D430,187 S * 8/2000 Naito D16/218

(75) Inventors: **Makoto Kobayashi; Yosuke Wakamiya**, both of Nagano-ken (JP)

FOREIGN PATENT DOCUMENTS

(73) Assignee: **Seiko Epson Corporation**, Tokyo (JP)

JP 1079569 12/2000

(**) Term: **14 Years**

* cited by examiner

(21) Appl. No.: **29/119,065**

Primary Examiner—Adir Aronovich

(22) Filed: **Feb. 23, 2000**

(74) *Attorney, Agent, or Firm*—Stroock & Stroock & Lavan LLP

(30) **Foreign Application Priority Data**

(57) **CLAIM**

Aug. 24, 1999 (JP) 11-22527

The ornamental design for a digital still camera, as shown and described.

(51) **LOC (7) Cl.** **16-01**

DESCRIPTION

(52) **U.S. Cl.** **D16/202**

(58) **Field of Search** D16/200–205,
D16/208, 209, 217, 218; 348/373–376;
358/906, 909.1; 396/535–541

FIG. 1 is a front elevational view of a digital still camera;
FIG. 2 is a top plan view thereof;
FIG. 3 is a rear elevational view thereof;
FIG. 4 is a bottom plan view thereof;
FIG. 5 is a left elevational view thereof;
FIG. 6 is a right elevational view thereof;
FIG. 7 is a perspective view thereof; and,
FIG. 8 is a perspective view showing the invention in use.

(56) **References Cited**

U.S. PATENT DOCUMENTS

4,406,533 A * 9/1983 Yamamoto 396/206
D294,590 S * 3/1988 Goto D16/217
D390,860 S * 2/1998 Kim D16/217

1 Claim, 4 Drawing Sheets

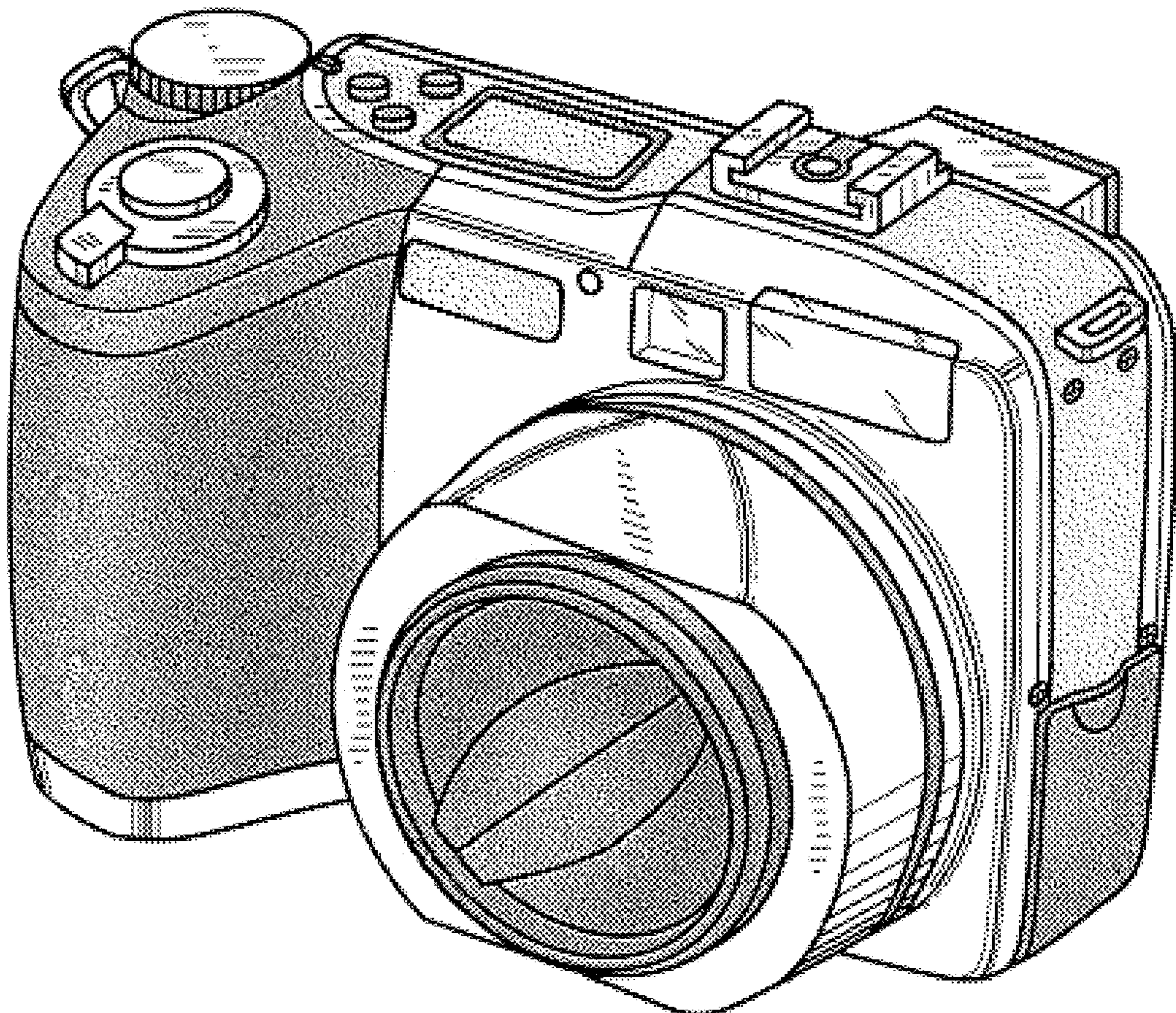


FIG. 1

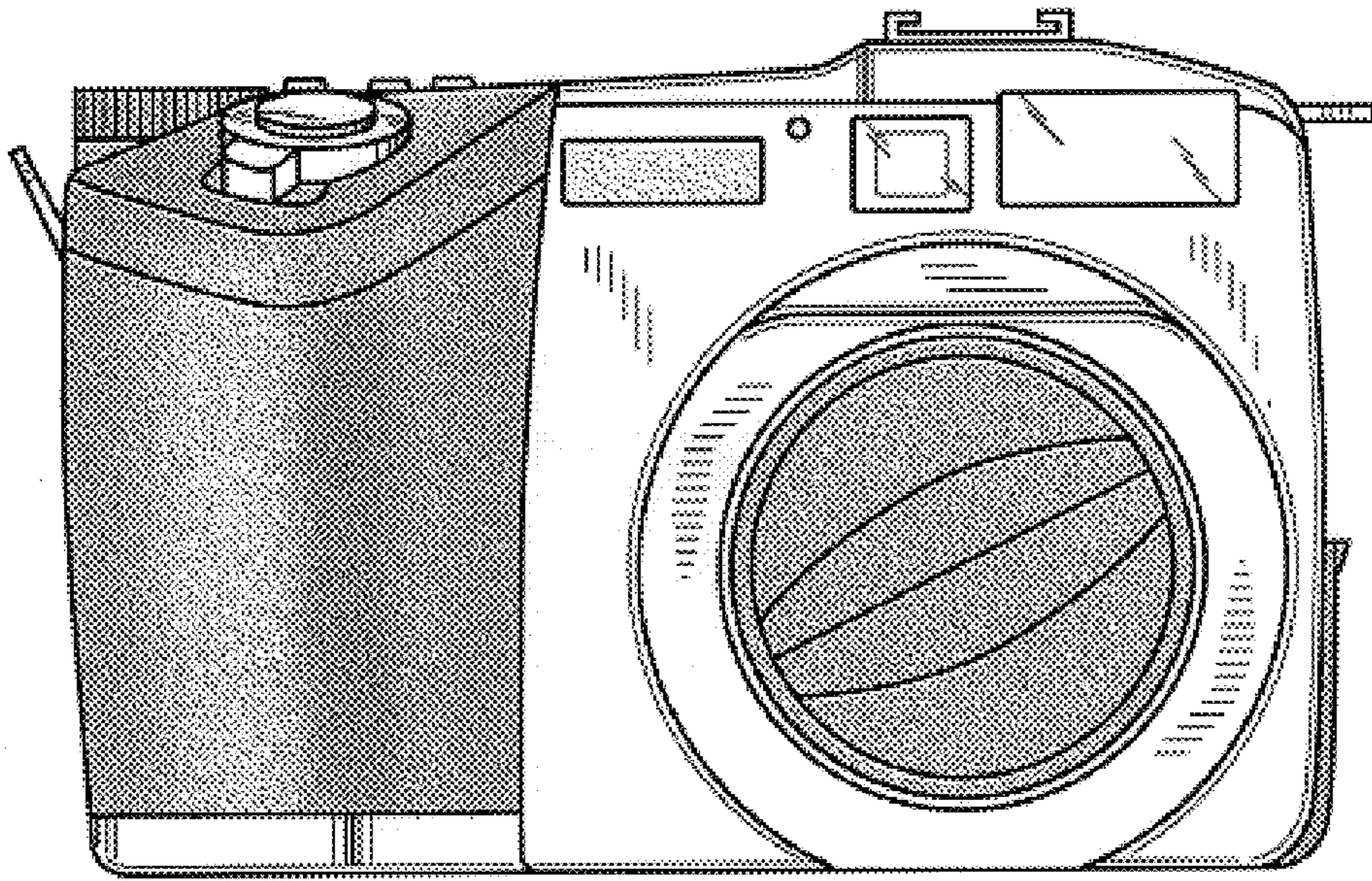


FIG. 2

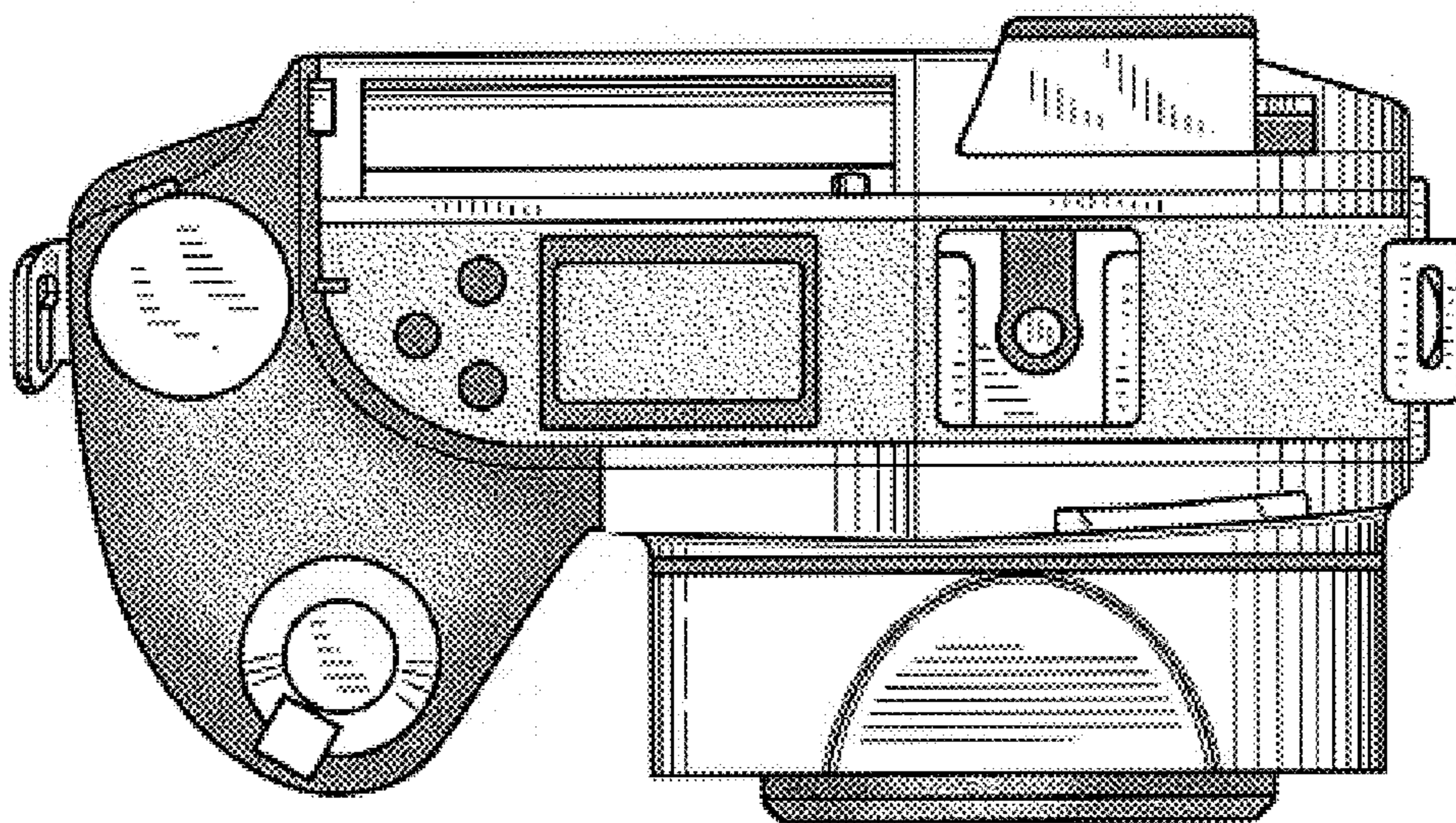


FIG. 3

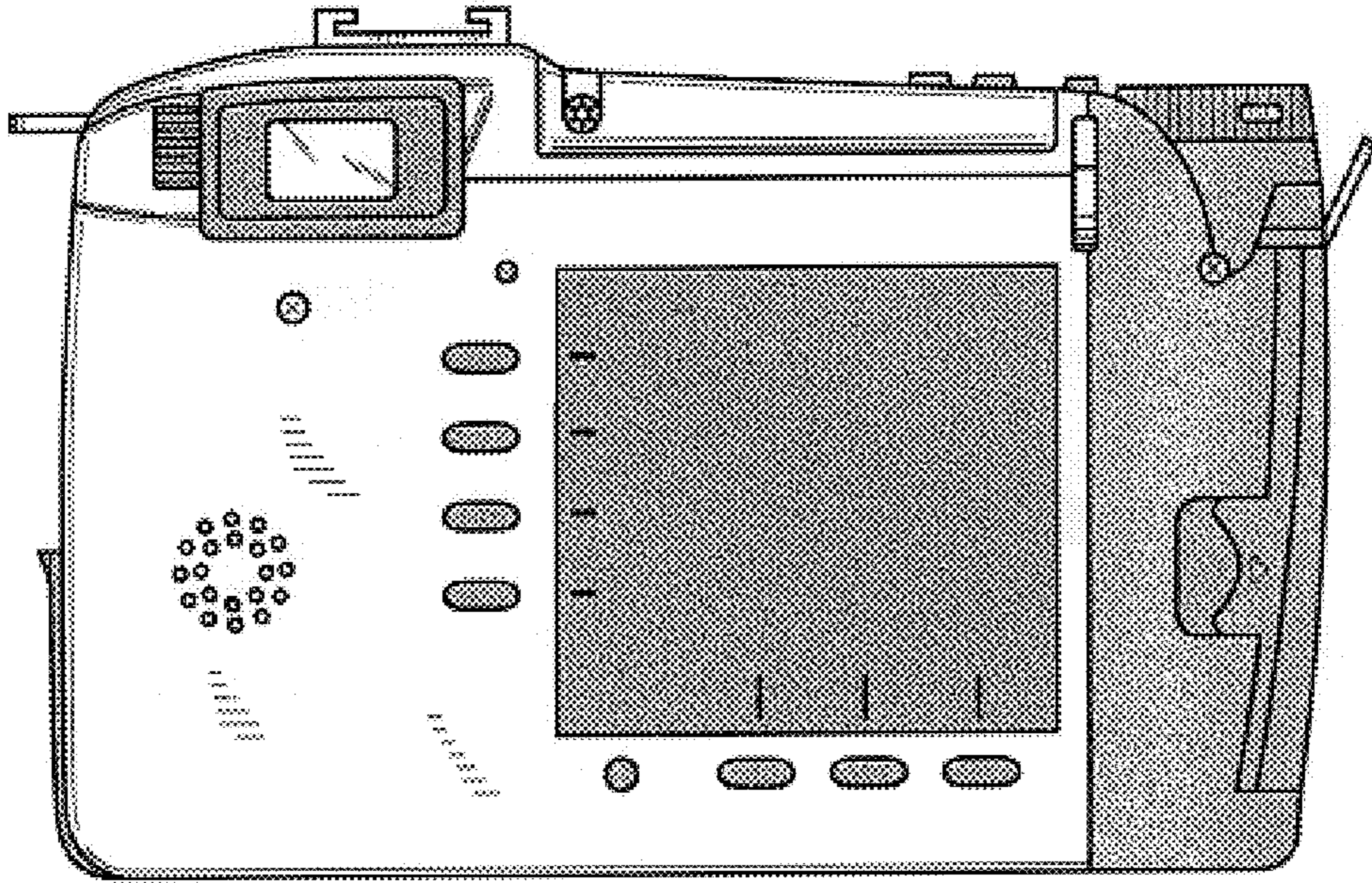


FIG. 4

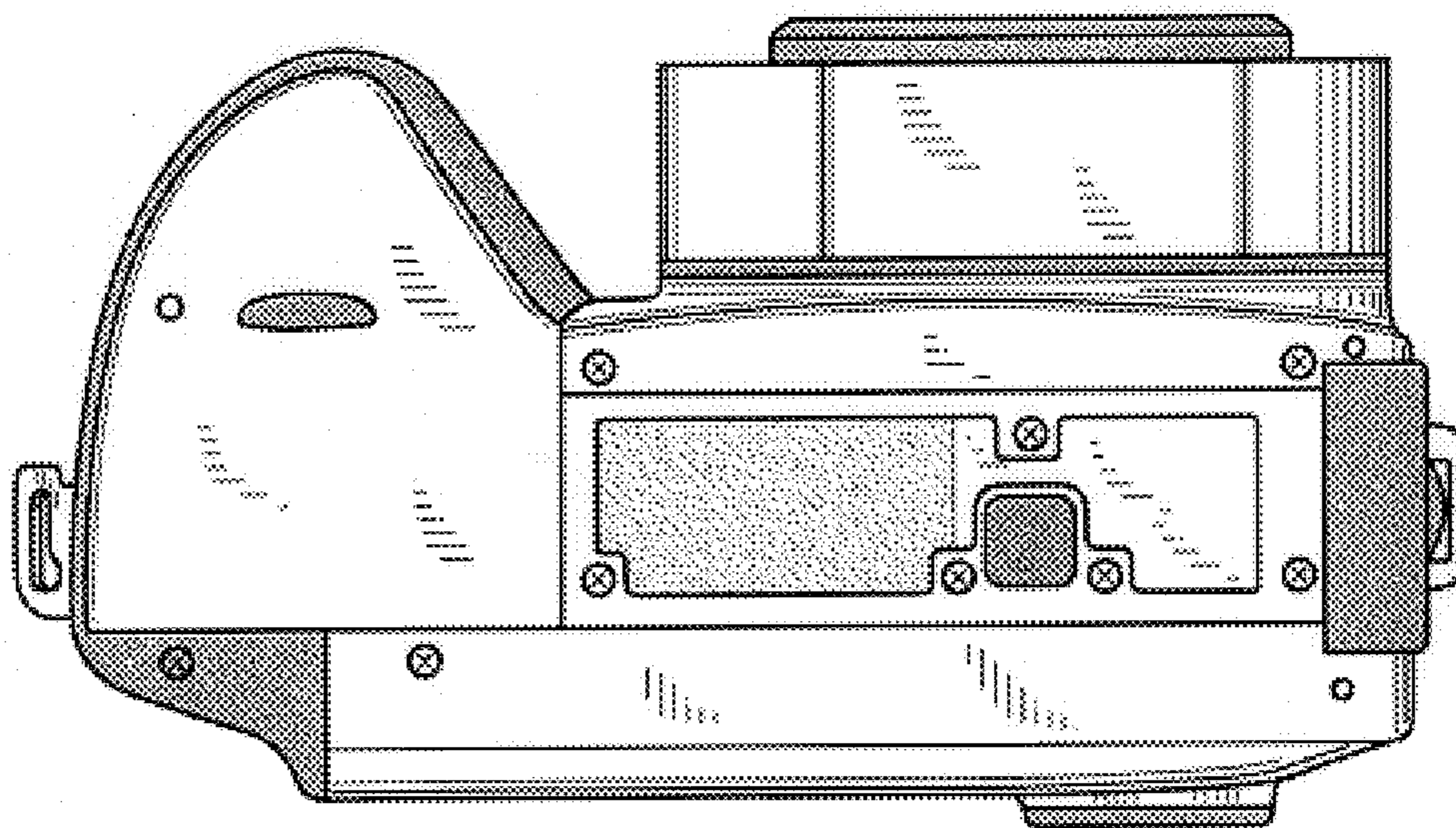


FIG. 5

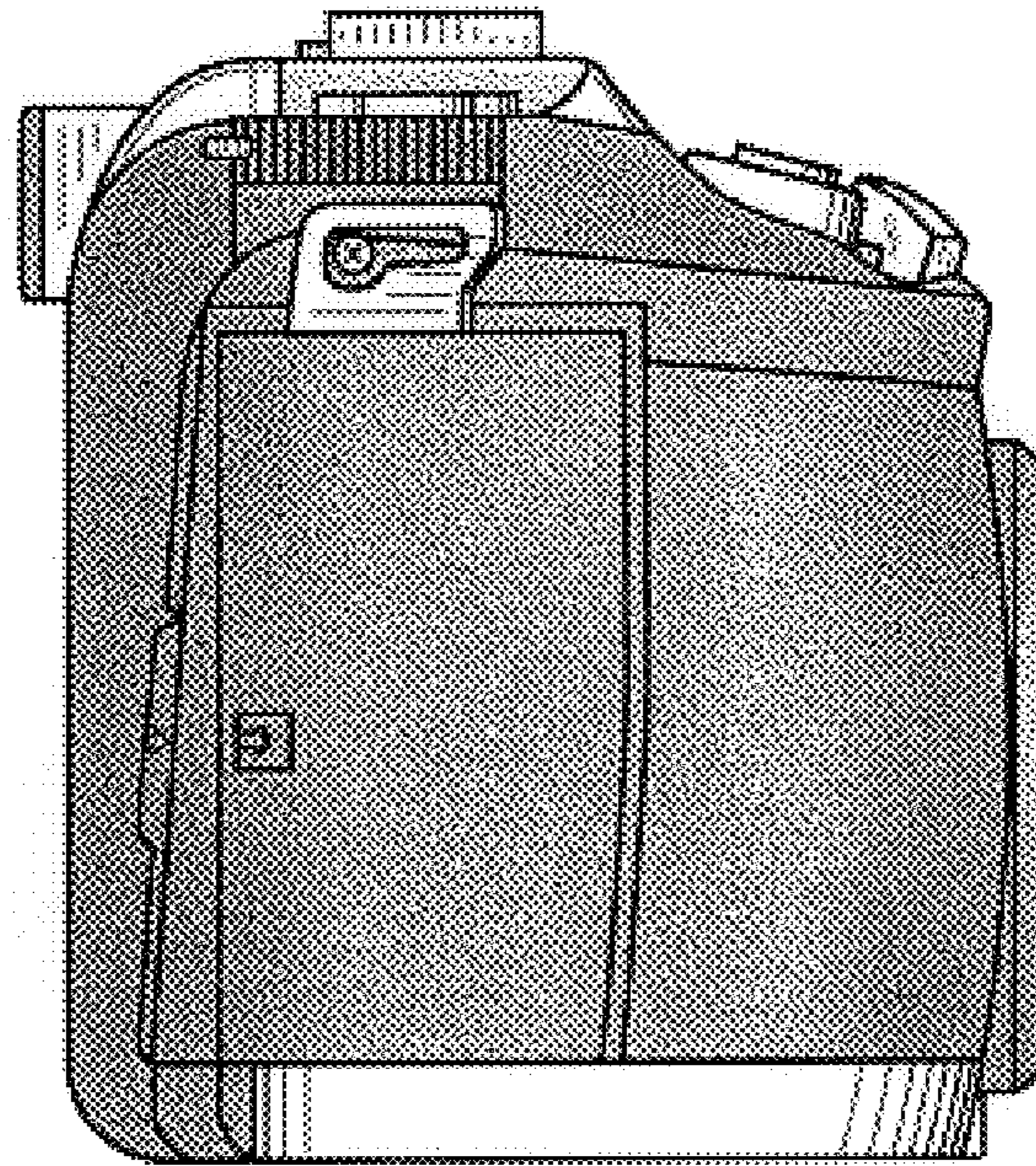
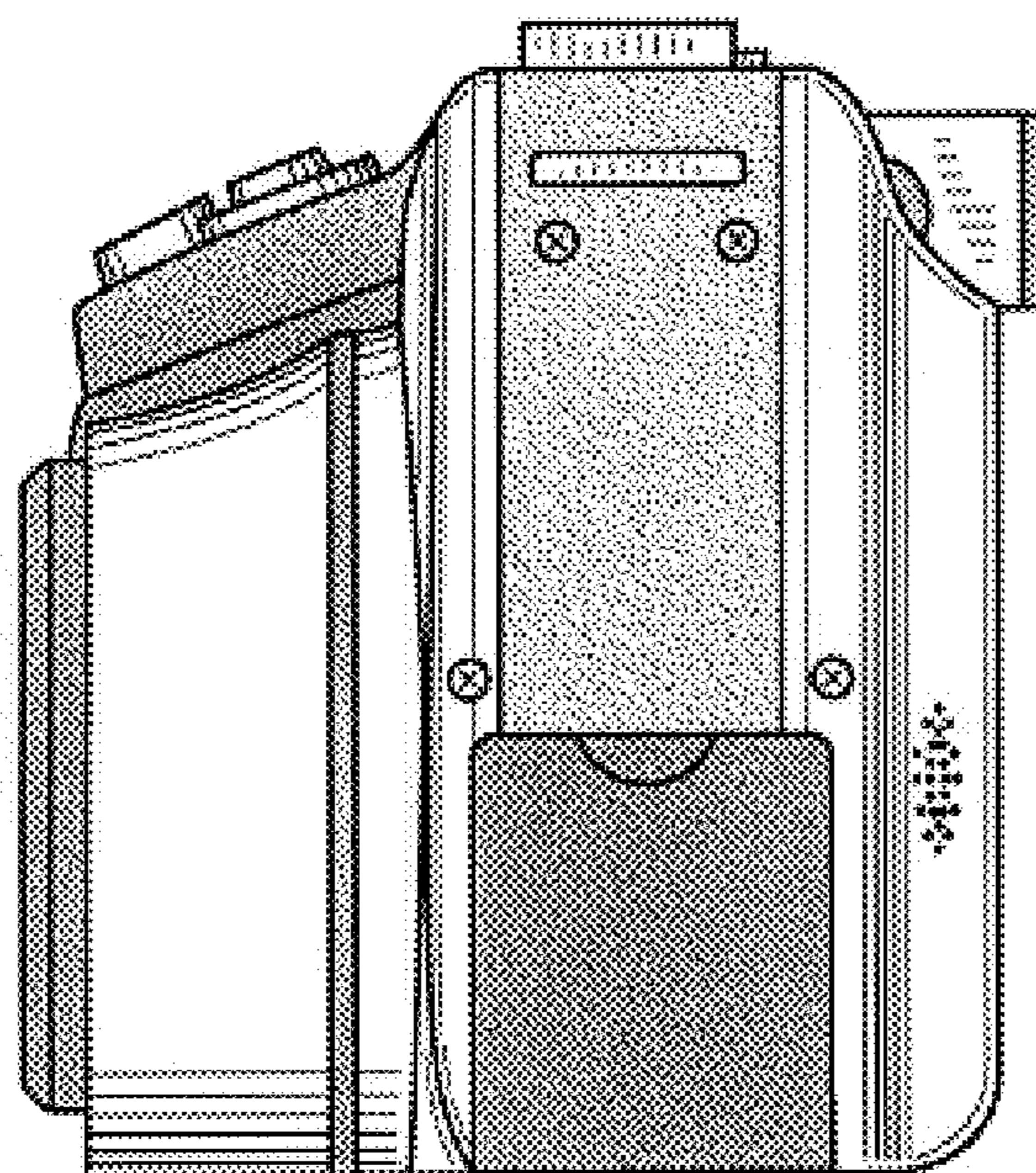


FIG. 6



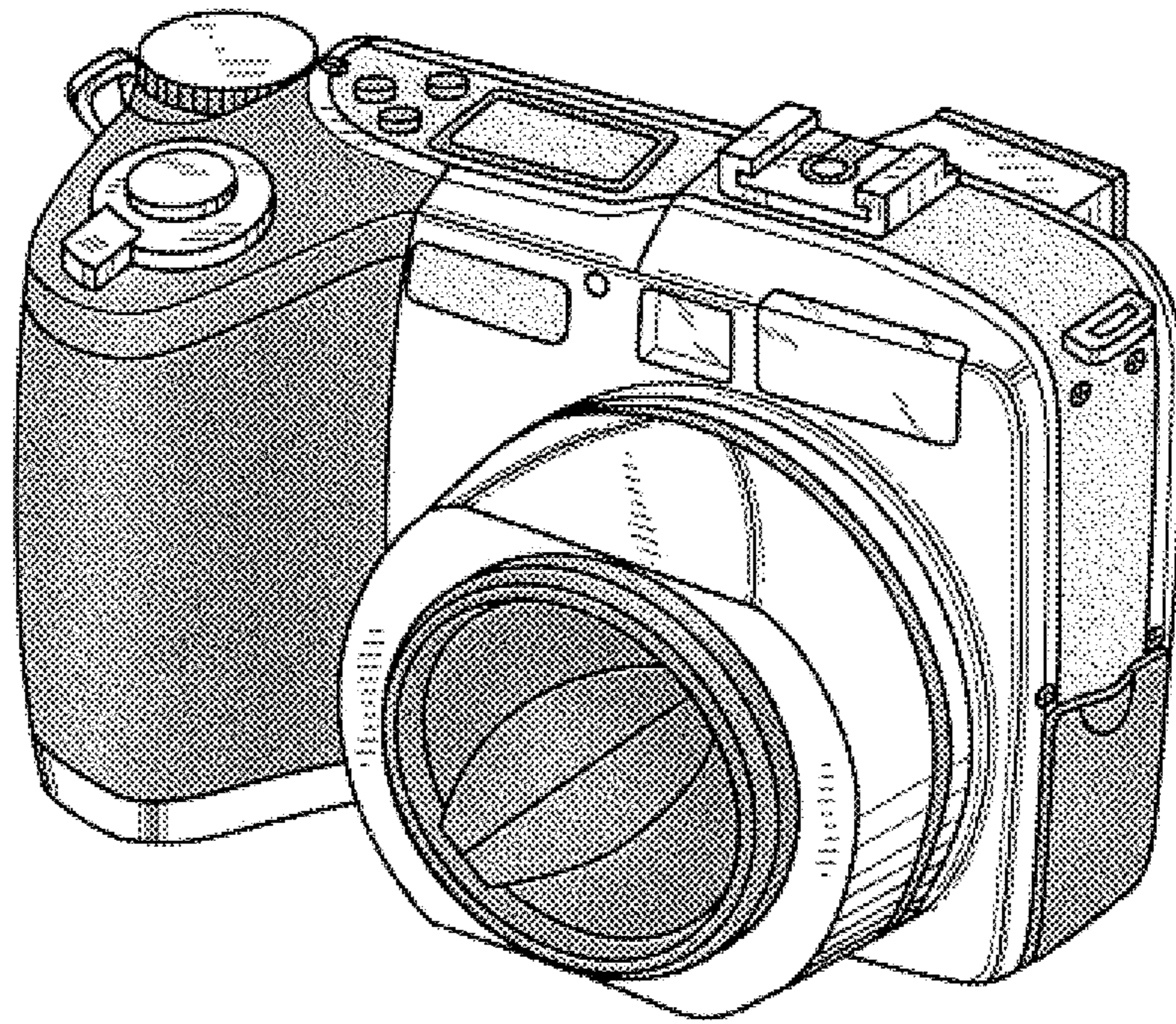


FIG. 7

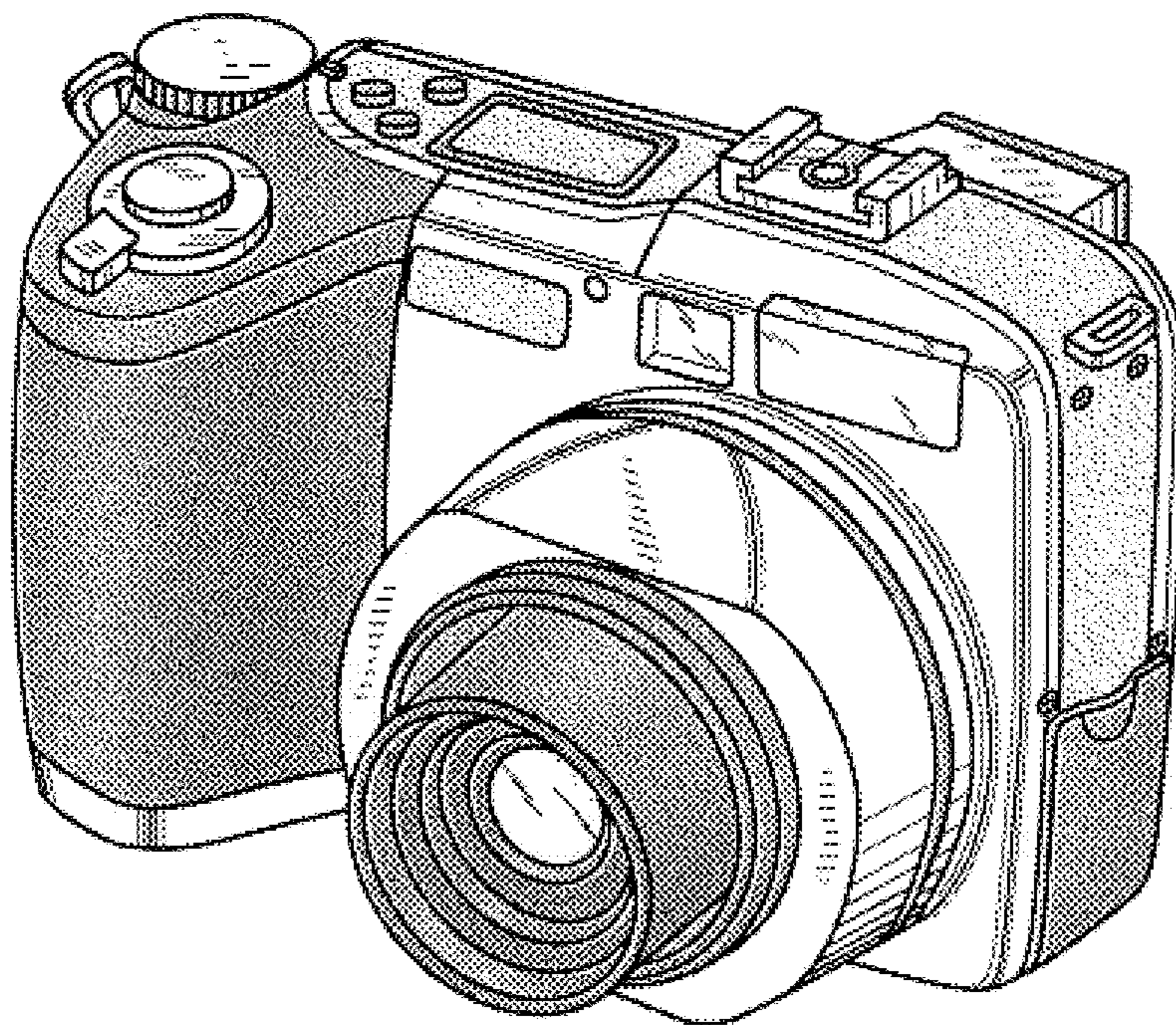


FIG. 8