



US00D456428S

(12) **United States Design Patent**
Aronson, II et al.

(10) **Patent No.:** **US D456,428 S**
(45) **Date of Patent:** **** Apr. 30, 2002**

- (54) **TORCH**
- (75) Inventors: **Louis V. Aronson, II**, Oldwick; **Adam Grabicki**, Hopatcong, both of NJ (US)
- (73) Assignee: **Ronson Corporation**, Woodbridge, NJ (US)
- (**) Term: **14 Years**
- (21) Appl. No.: **29/141,481**
- (22) Filed: **May 7, 2001**
- (51) **LOC (7) Cl.** **15-09**
- (52) **U.S. Cl.** **D15/144**
- (58) **Field of Search** D15/144, 144.1, D15/144.2; 219/75, 130.1, 132, 137.31; 431/334

5,564,918 A	10/1996	Lin	431/255
D376,302 S	12/1996	Tsai	D8/29.1
5,741,128 A	4/1998	Tsai	431/255
5,800,155 A	9/1998	Miyana	431/153
D416,920 S	11/1999	Chou	D15/144
6,063,329 A	5/2000	Tsai	266/48

* cited by examiner

Primary Examiner—Antoine Duval Davis
(74) *Attorney, Agent, or Firm*—Lerner, David, Littenberg, Krumholz & Mentlik, LLP

(57) **CLAIM**

The ornamental design for a torch, as shown and described.

DESCRIPTION

FIG. 1 is a perspective view of a torch showing our new design;
 FIG. 2 is a left side elevational view;
 FIG. 3 is a right side elevational view;
 FIG. 4 is a front elevational view, the rear elevational view being a mirror image;
 FIG. 5 is a top plan view; and,
 FIG. 6 is a bottom plan view.
 The broken lines shown in the drawings are for illustration purpose only and form no part of the claimed design.

(56) **References Cited**

U.S. PATENT DOCUMENTS

4,051,344 A	*	9/1977	Robbins	219/132
D302,098 S		7/1989	Yoshinaga	D8/30
D304,151 S		10/1989	Chapin et al.	D8/30
4,948,942 A	*	8/1990	Hilbel	219/132
D335,804 S		5/1993	Burgin	D8/30
5,466,149 A		11/1995	Tsai	431/344

1 Claim, 5 Drawing Sheets

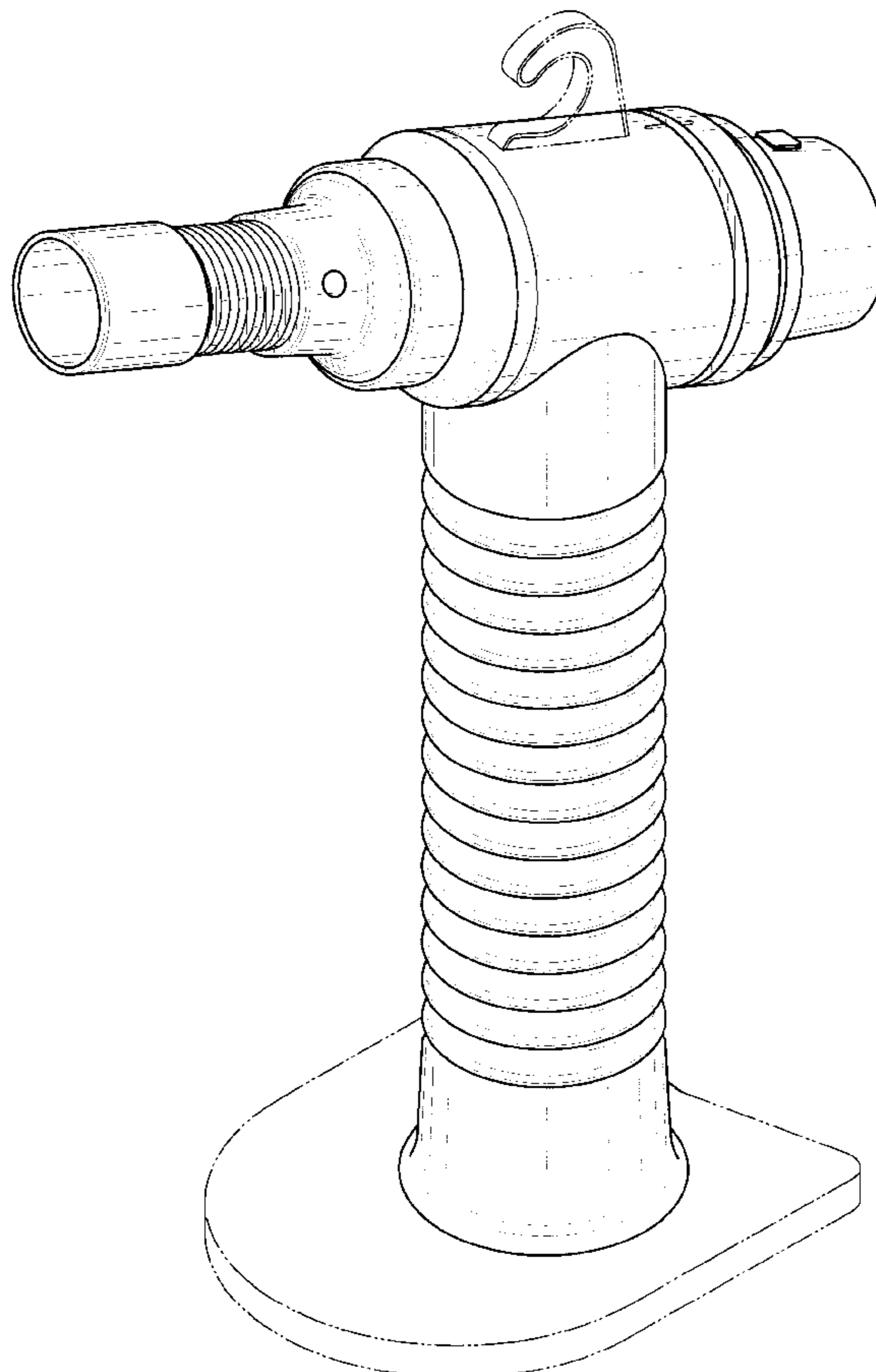


FIG. 1

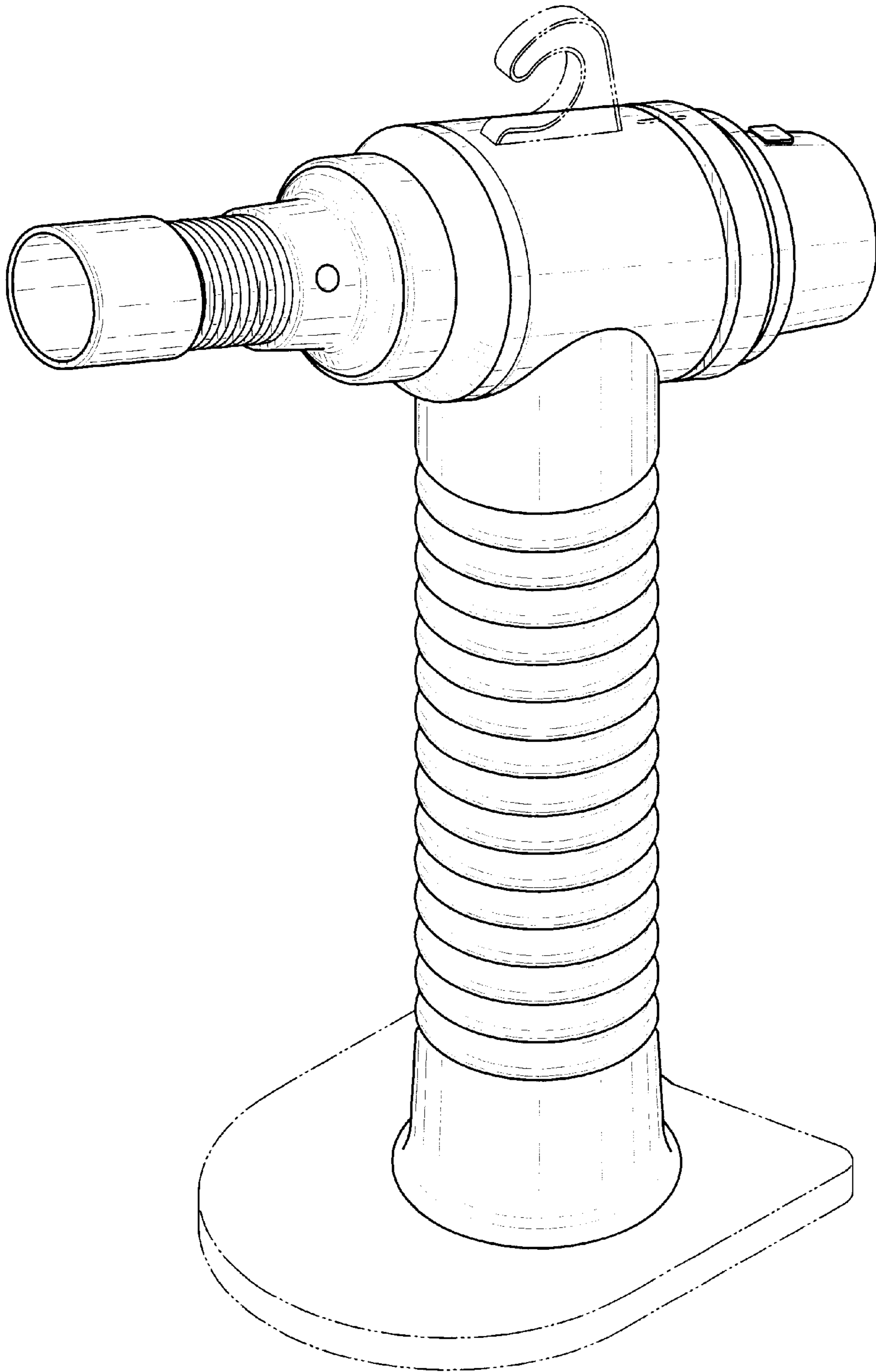


FIG. 2

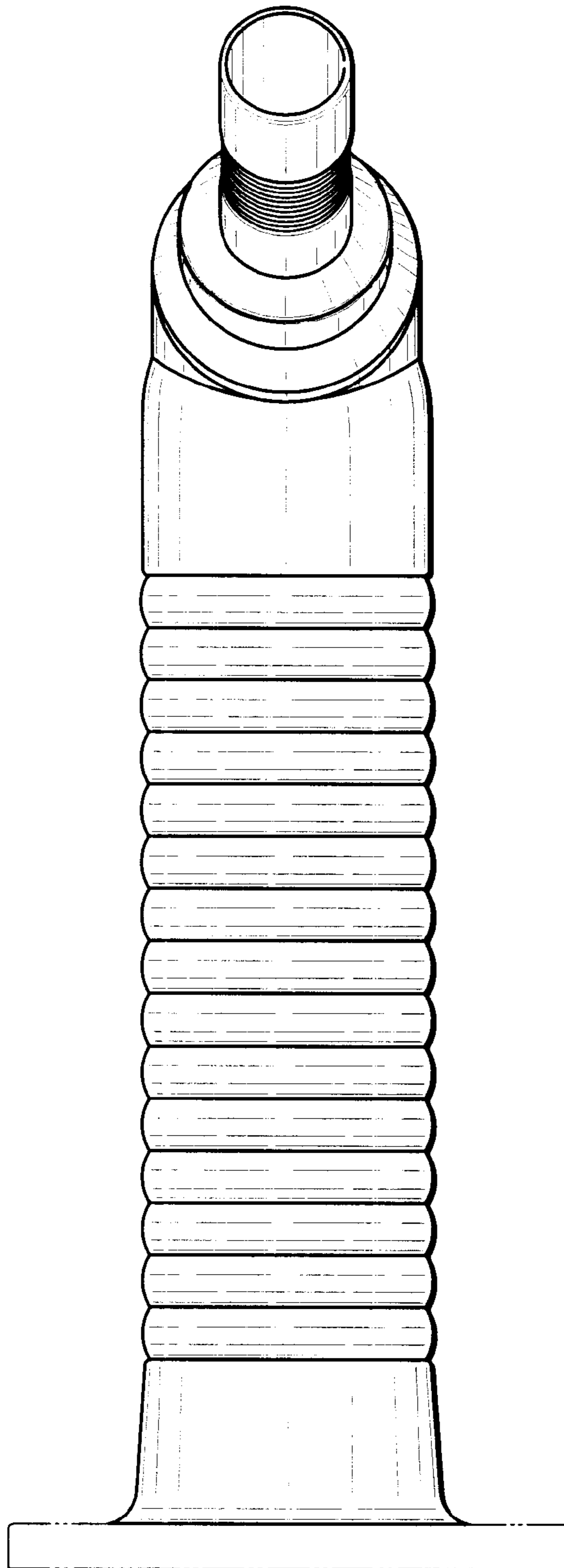


FIG. 3

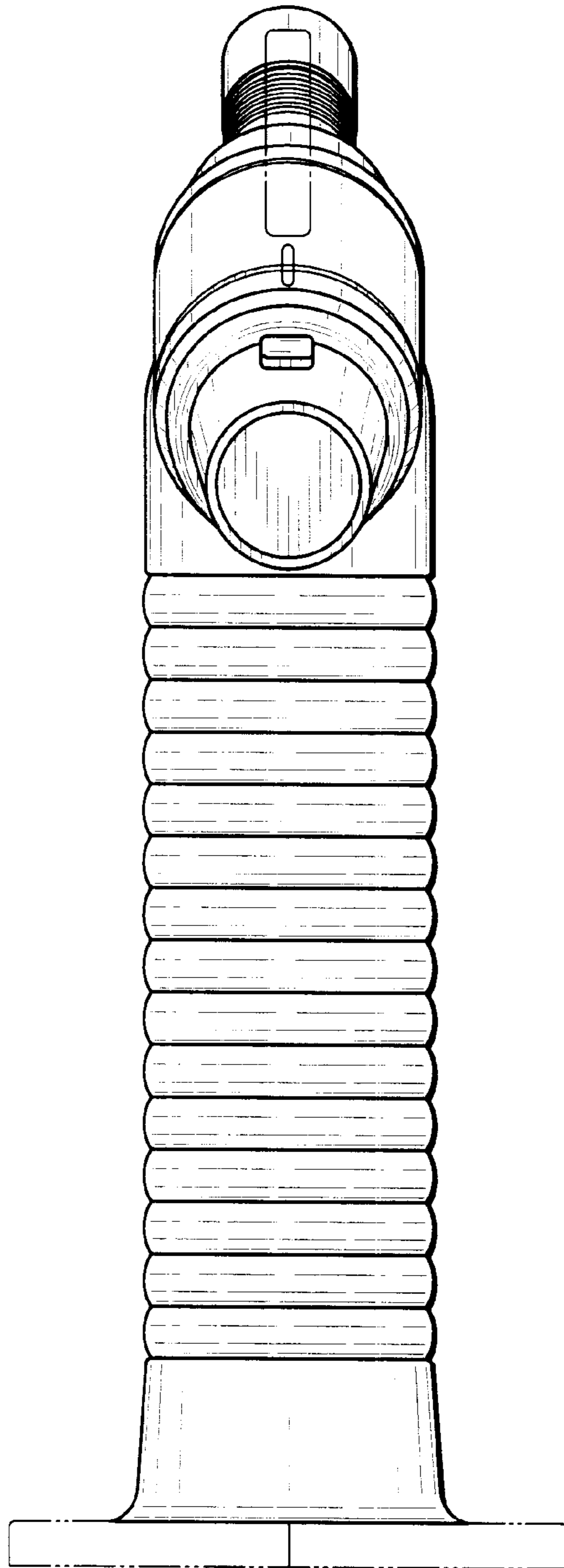
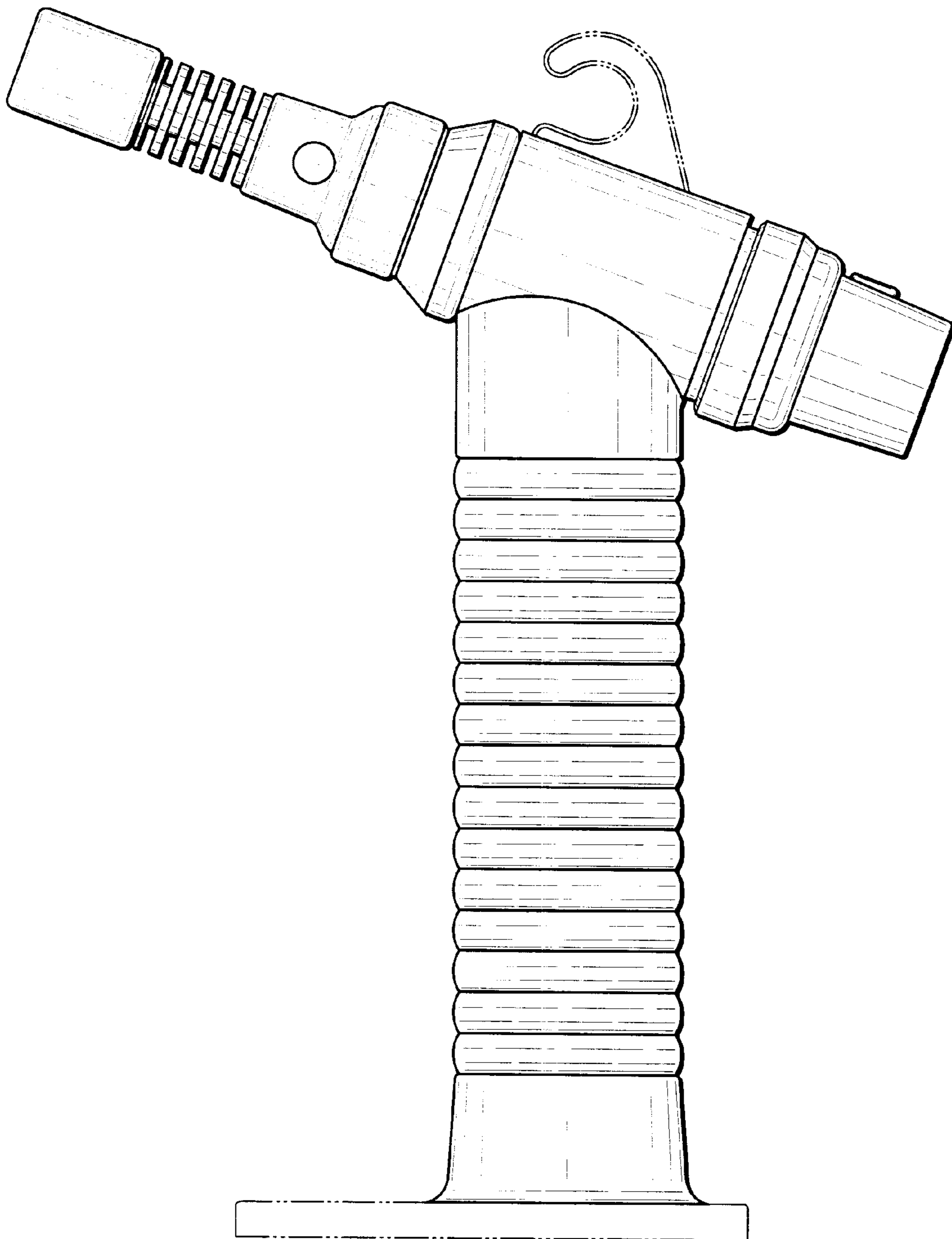


FIG. 4



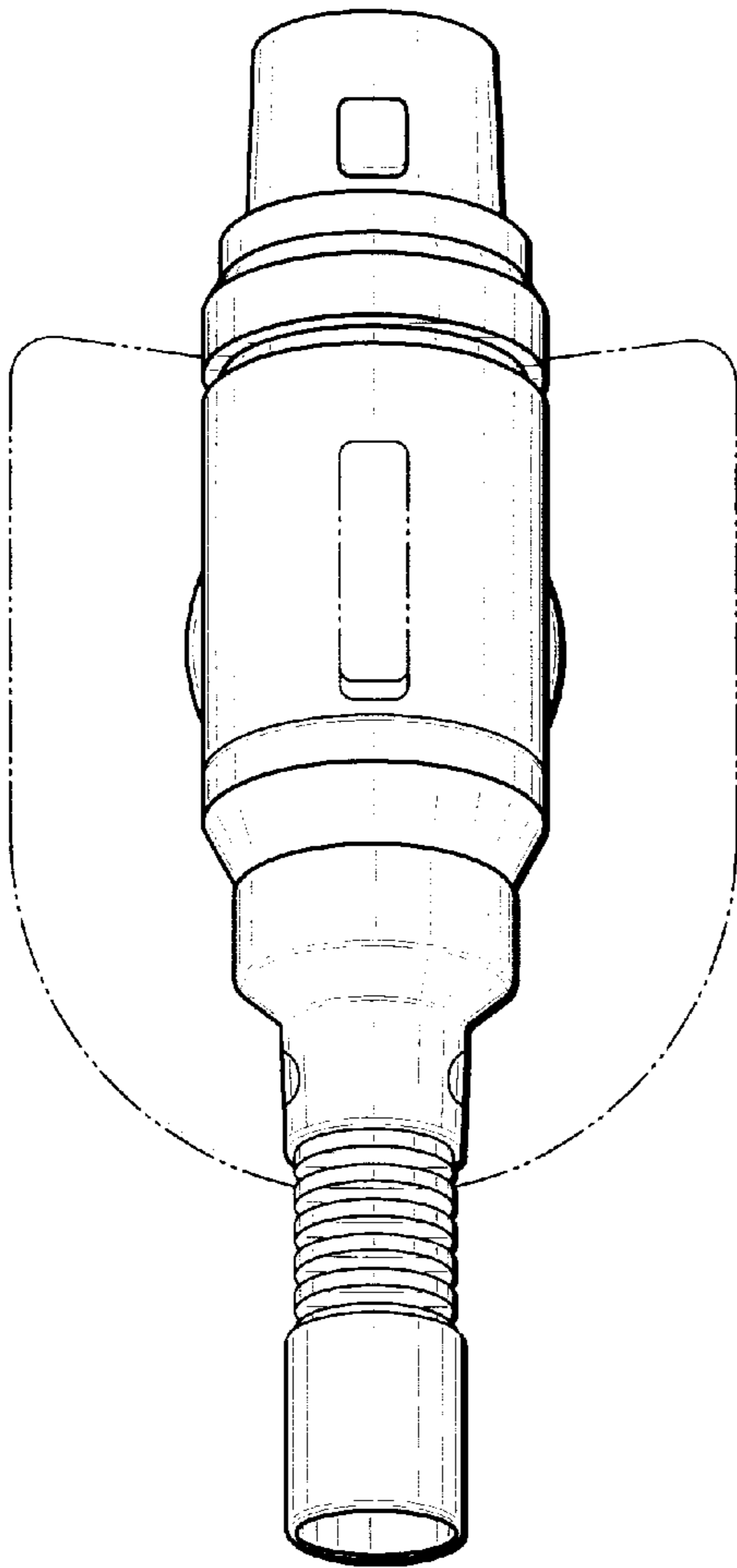


FIG. 5

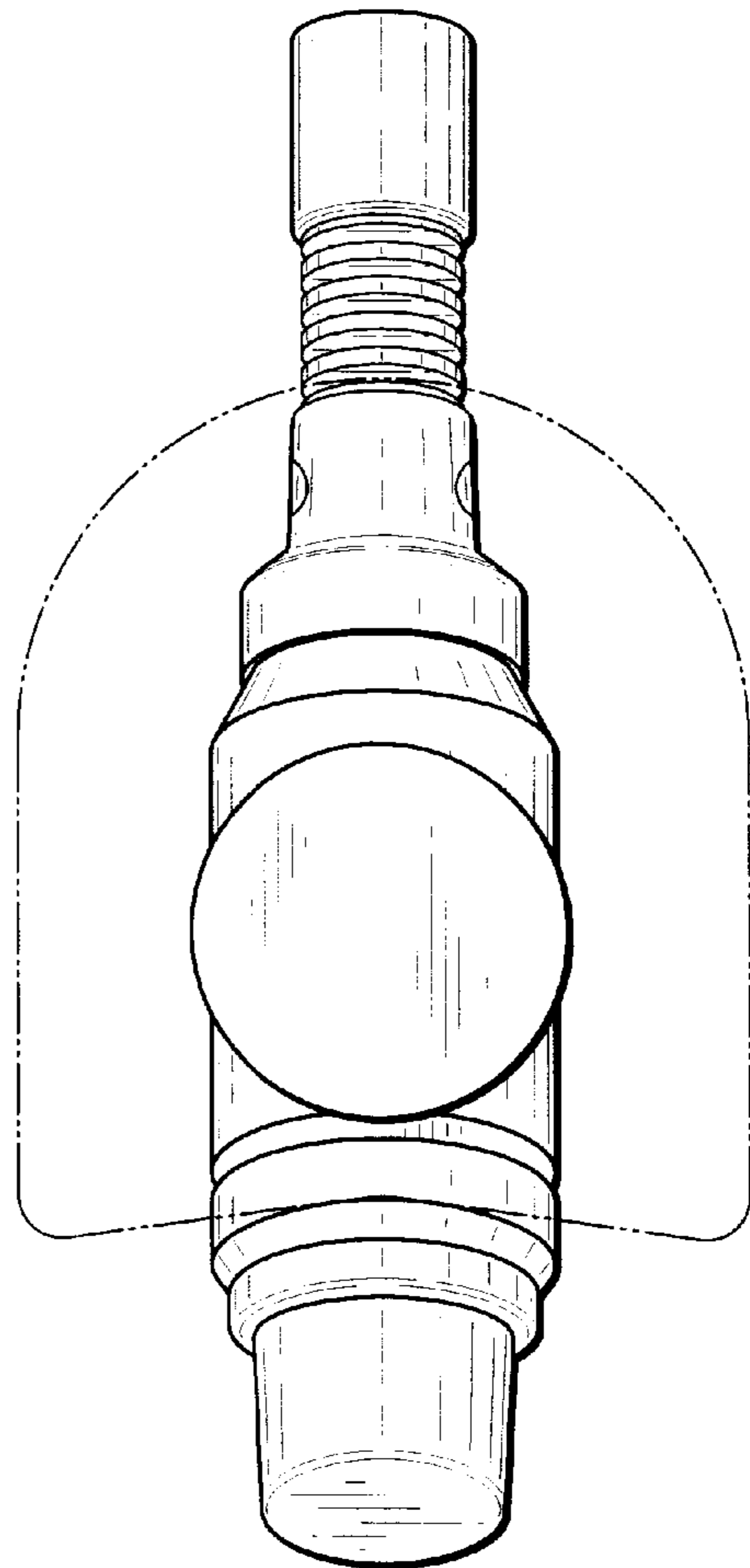


FIG. 6