



US00D456427S

(12) **United States Design Patent**
Gressett, Jr. et al.

(10) **Patent No.:** **US D456,427 S**

(45) **Date of Patent:** **** Apr. 30, 2002**

(54) **DISCHARGE PORTION OF A LIQUID FILAMENT DISPENSING VALVE**

(74) *Attorney, Agent, or Firm*—Wood, Herron & Evans, L.L.P.

(75) **Inventors:** **Charles A. Gressett, Jr.**, Norcross;
John M. Riney, Buford; **Lawrence B. Saidman**, Duluth; **Paul Schmidt**, Sugar Hill, all of GA (US)

(57) **CLAIM**

The ornamental design for a discharge portion of a liquid filament dispensing valve, as shown and described.

(73) **Assignee:** **Nordson Corporation**, Westlake, OH (US)

DESCRIPTION

(**) **Term:** **14 Years**

FIG. 1 is a bottom perspective view of the discharge portion of a liquid filament dispensing valve illustrated as a first embodiment of the invention;

(21) **Appl. No.:** **29/138,931**

FIG. 2 is a front view of FIG. 1, the rear view being the same as the front view;

(22) **Filed:** **Mar. 22, 2001**

FIG. 3 is a right side view of FIG. 1;

(51) **LOC (7) Cl.** **15-09**

FIG. 4 is a left side view of FIG. 1;

(52) **U.S. Cl.** **D15/144**

FIG. 5 is a top view of FIG. 1;

(58) **Field of Search** D15/144, 144.1, D15/144.2; 239/135, 296, 299, 318; 222/504, 509; 118/300, 308, 58, 600

FIG. 6 is a bottom view of FIG. 1;

FIG. 7 is a bottom perspective view of an alternative embodiment of the invention;

(56) **References Cited**

U.S. PATENT DOCUMENTS

6,056,155 A 5/2000 Byerly et al. 222/1
6,270,019 B1 * 8/2001 Reighard 239/1

FIG. 8 is a front view of FIG. 7, the rear view being the same as the front view of FIG. 7;

FIG. 9 is a right side view of FIG. 7;

FIG. 10 is a left side view of FIG. 7;

FIG. 11 is a top view of FIG. 7; and,

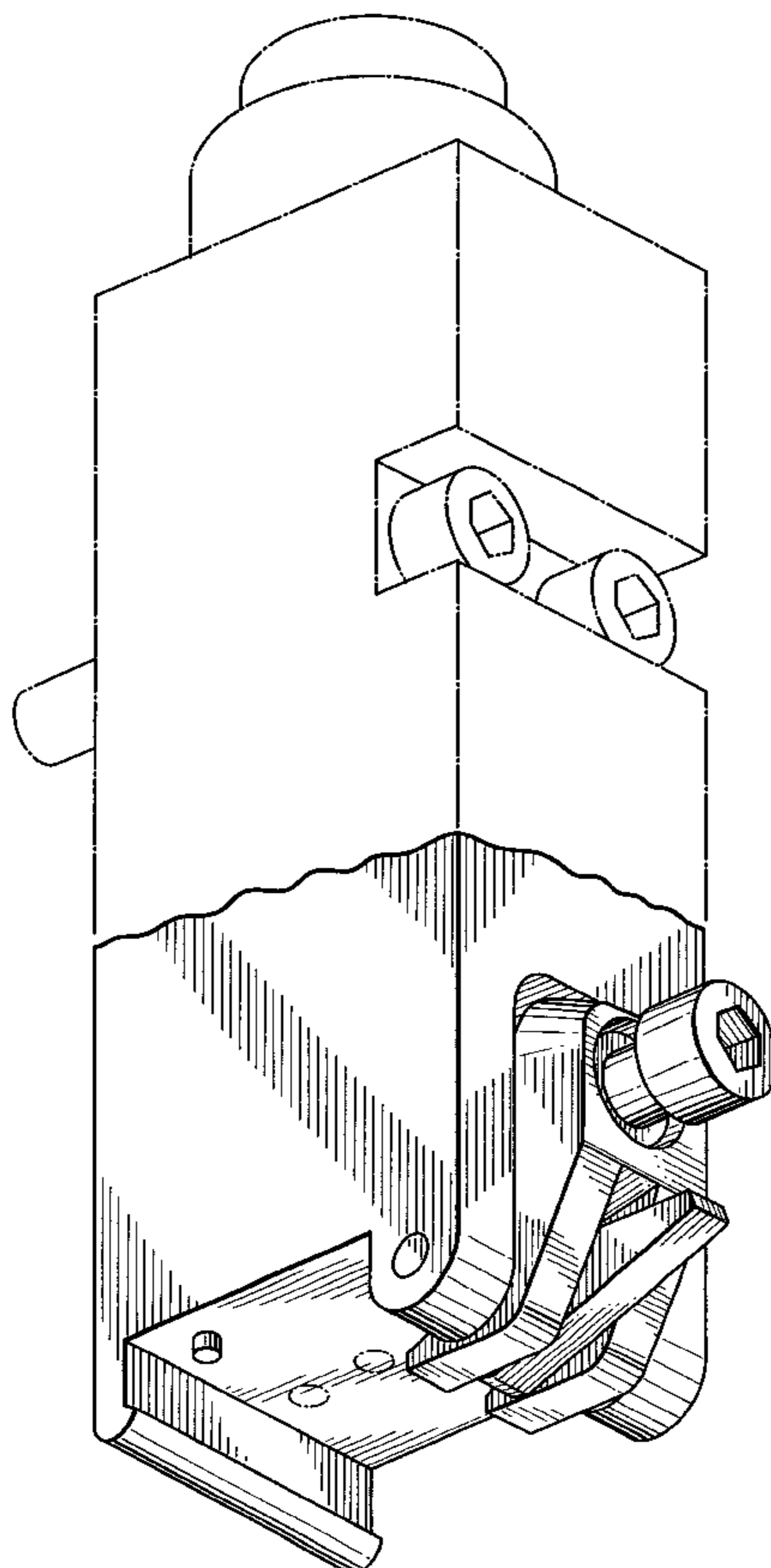
FIG. 12 is a bottom view of FIG. 7.

The elements shown in dash-dot lines form no part of the claimed invention, and are instead included to show environmental aspects of the claimed invention.

* cited by examiner

Primary Examiner—Antoine Duval Davis

1 Claim, 6 Drawing Sheets



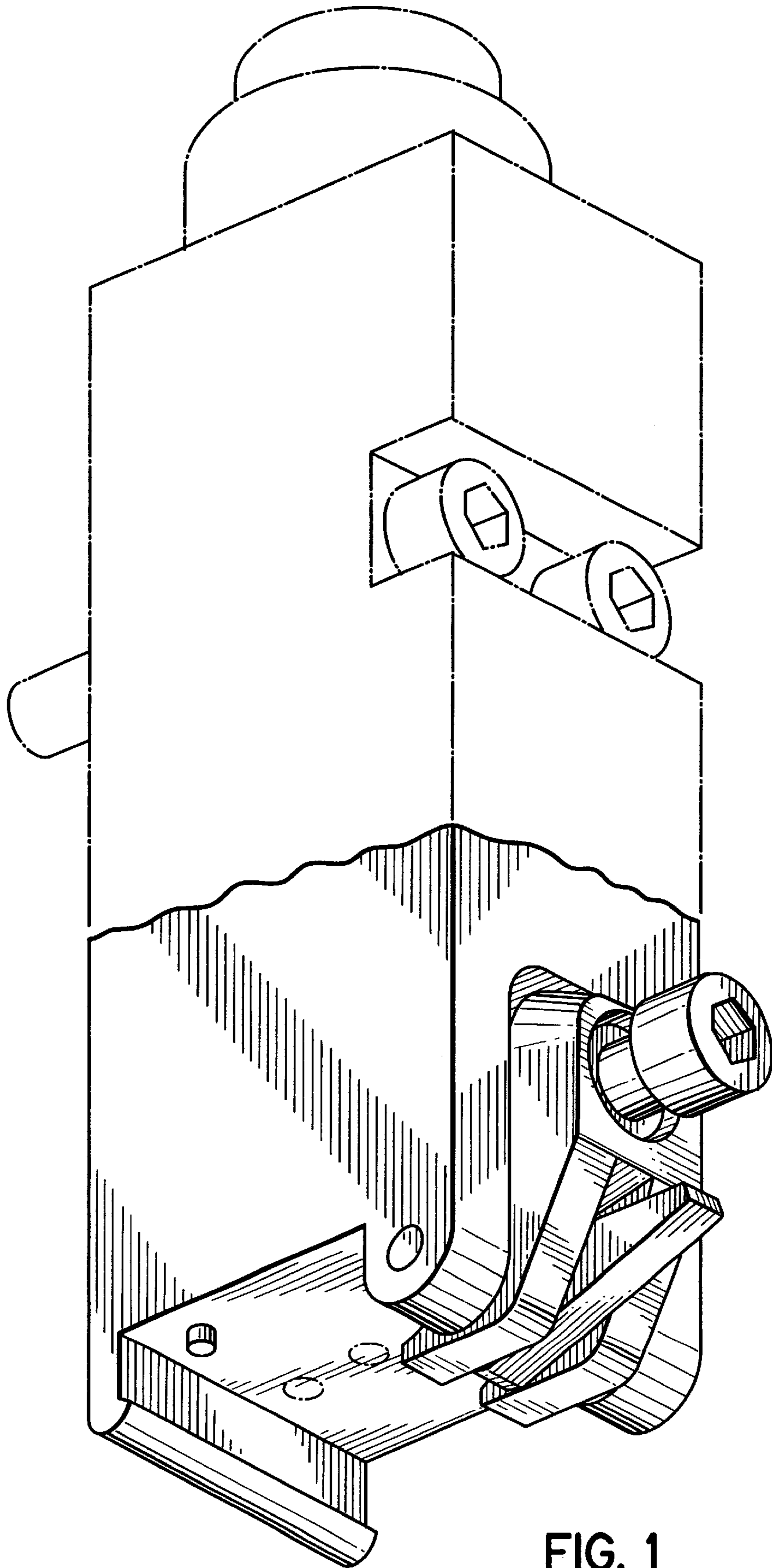


FIG. 1

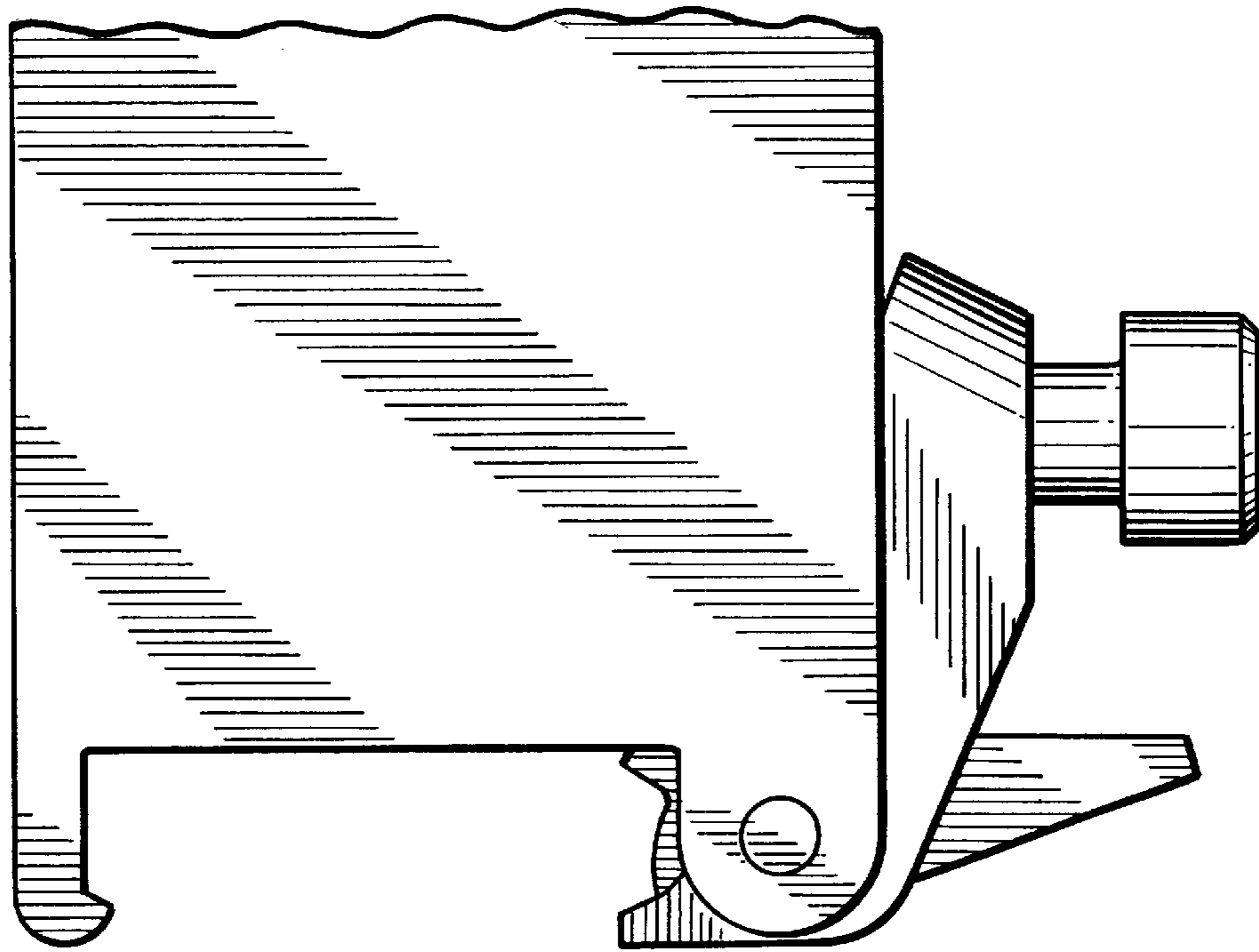


FIG. 2

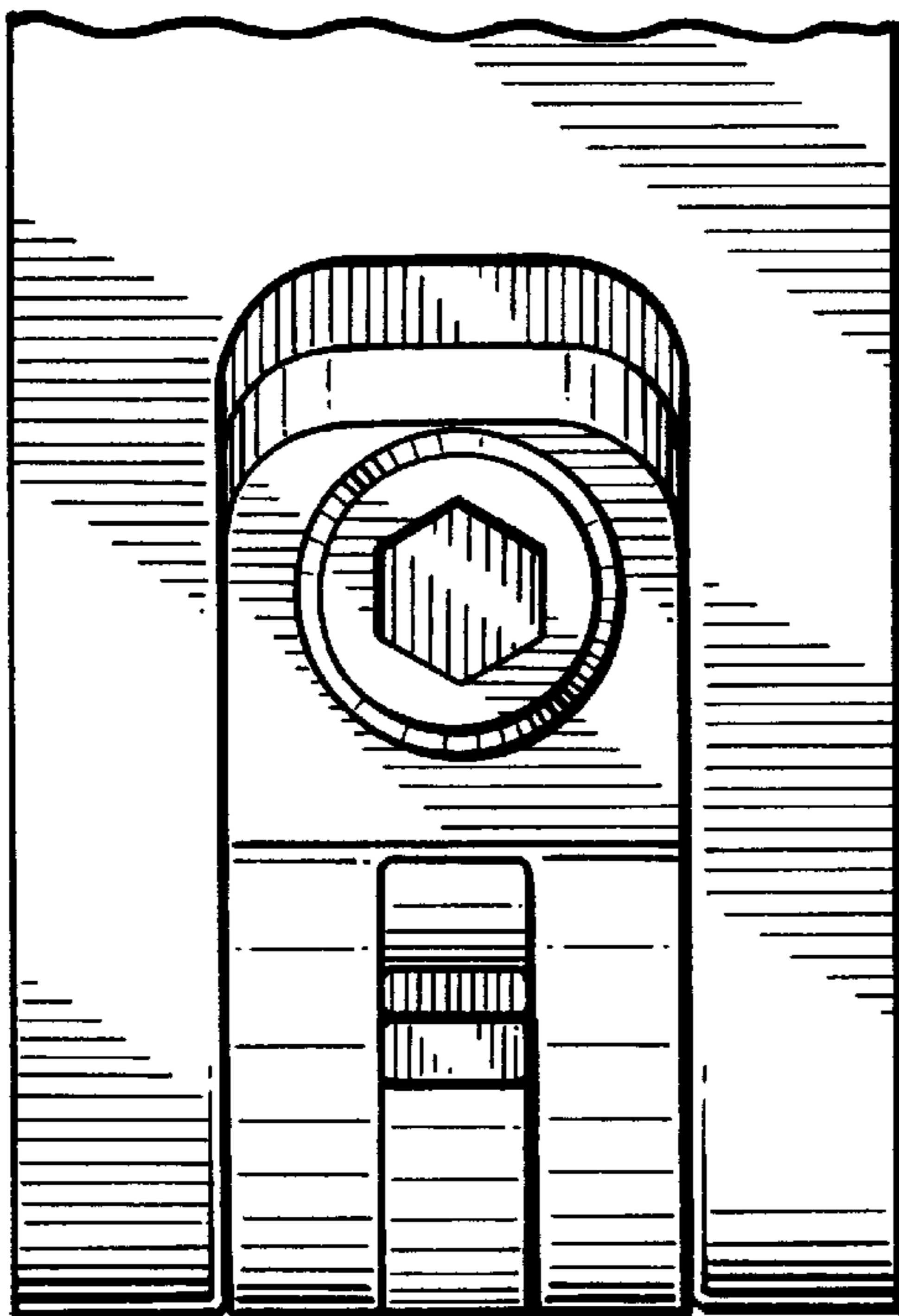


FIG. 3

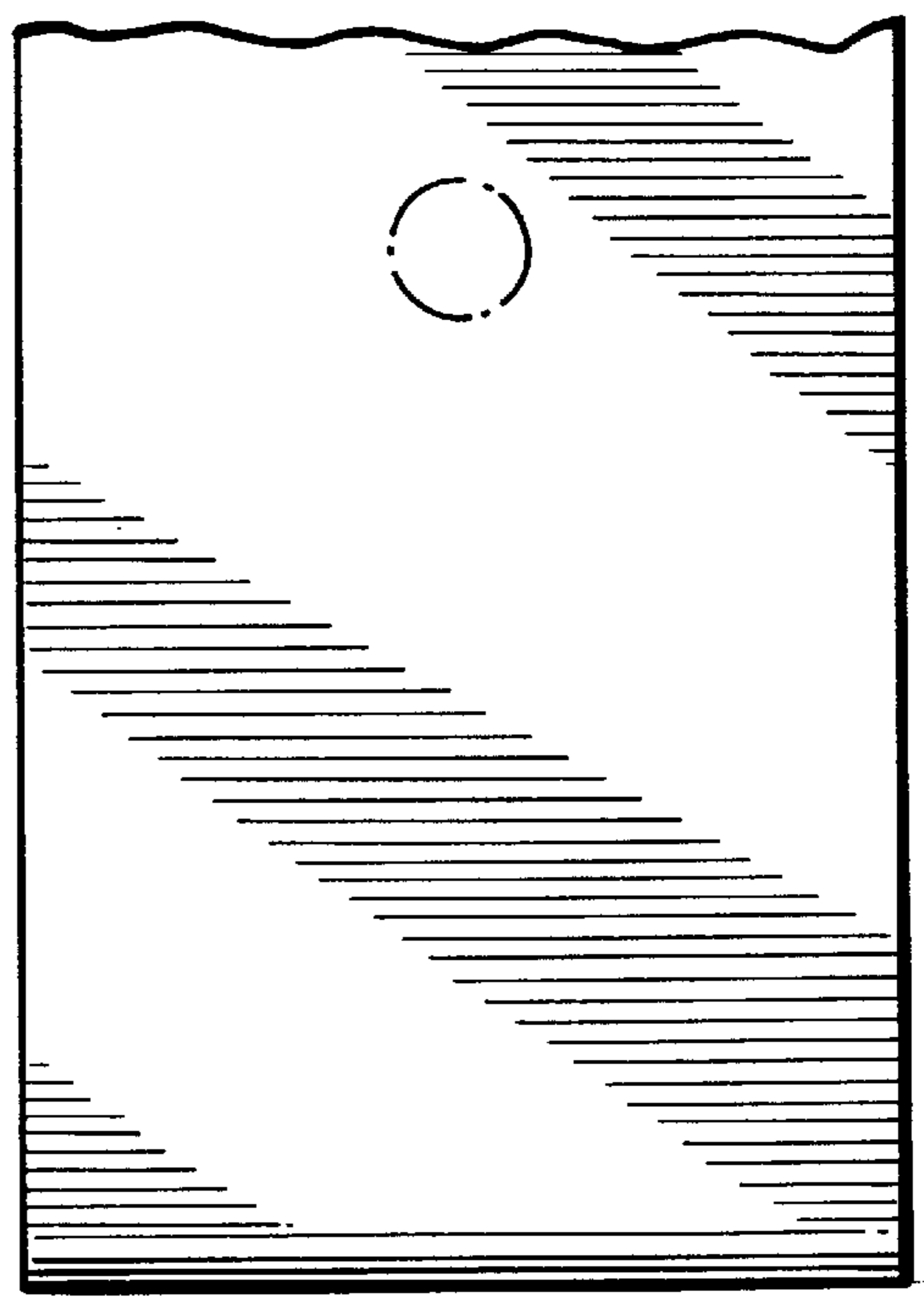


FIG. 4

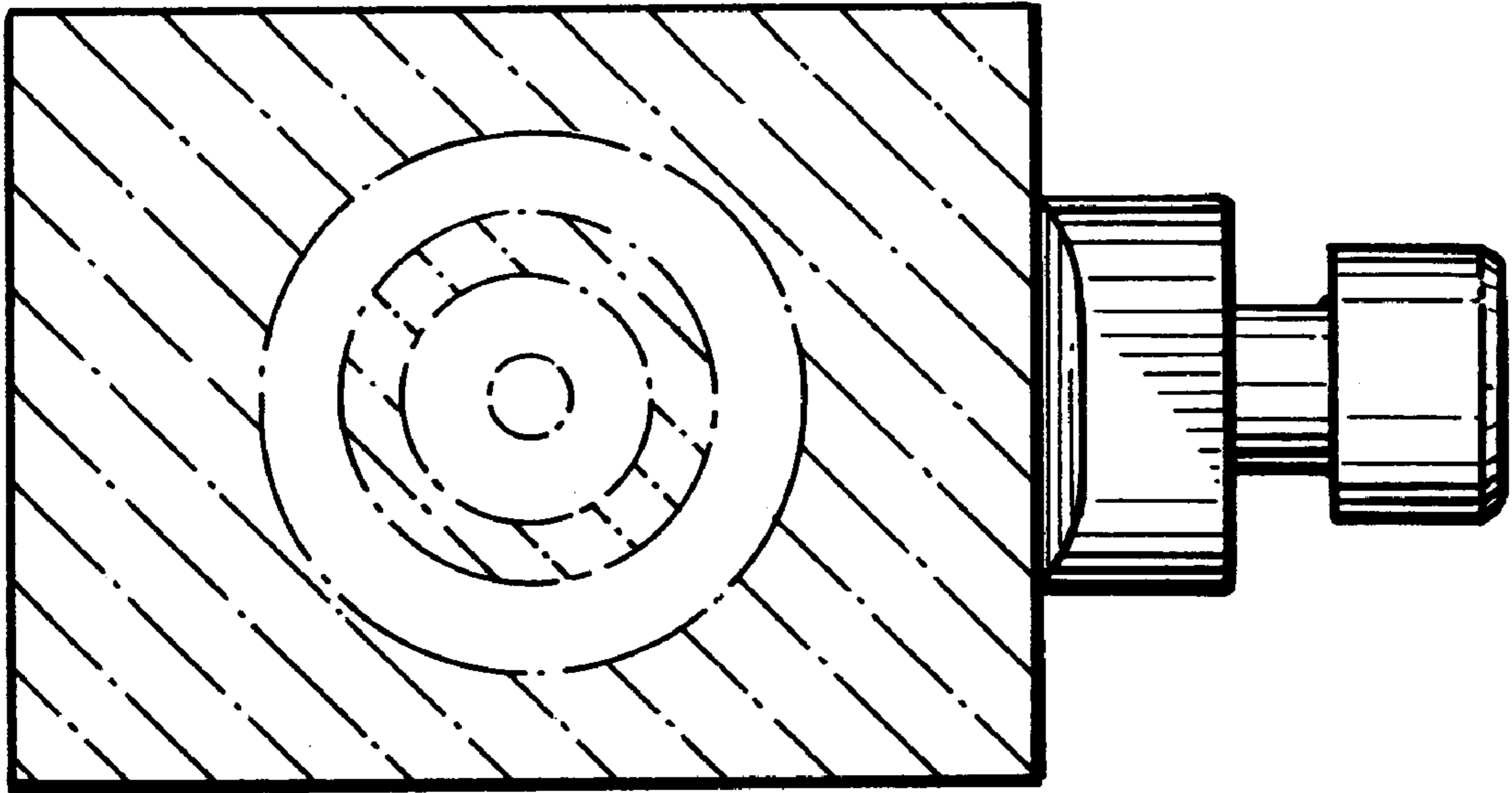


FIG. 5

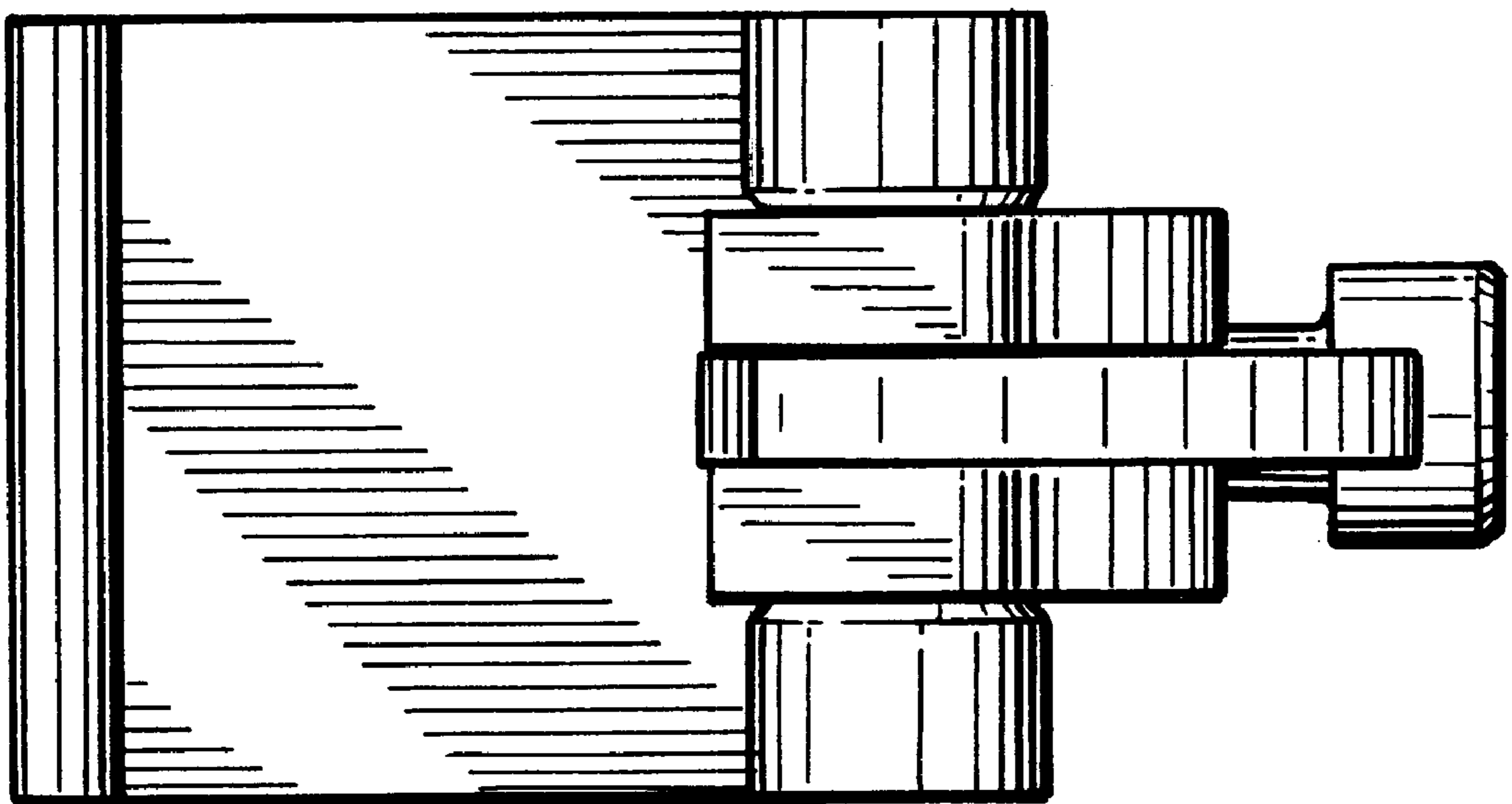


FIG. 6

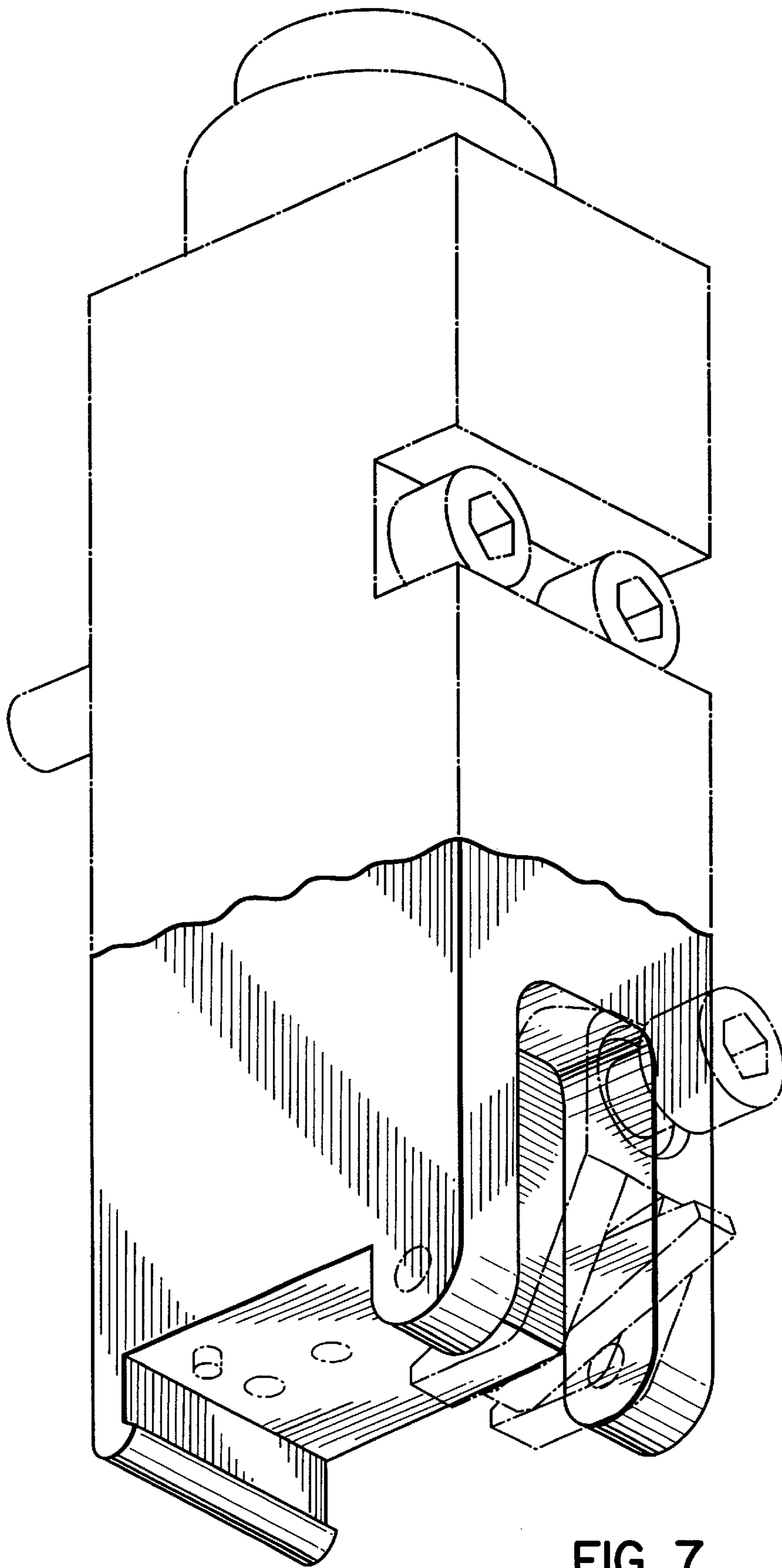


FIG. 7

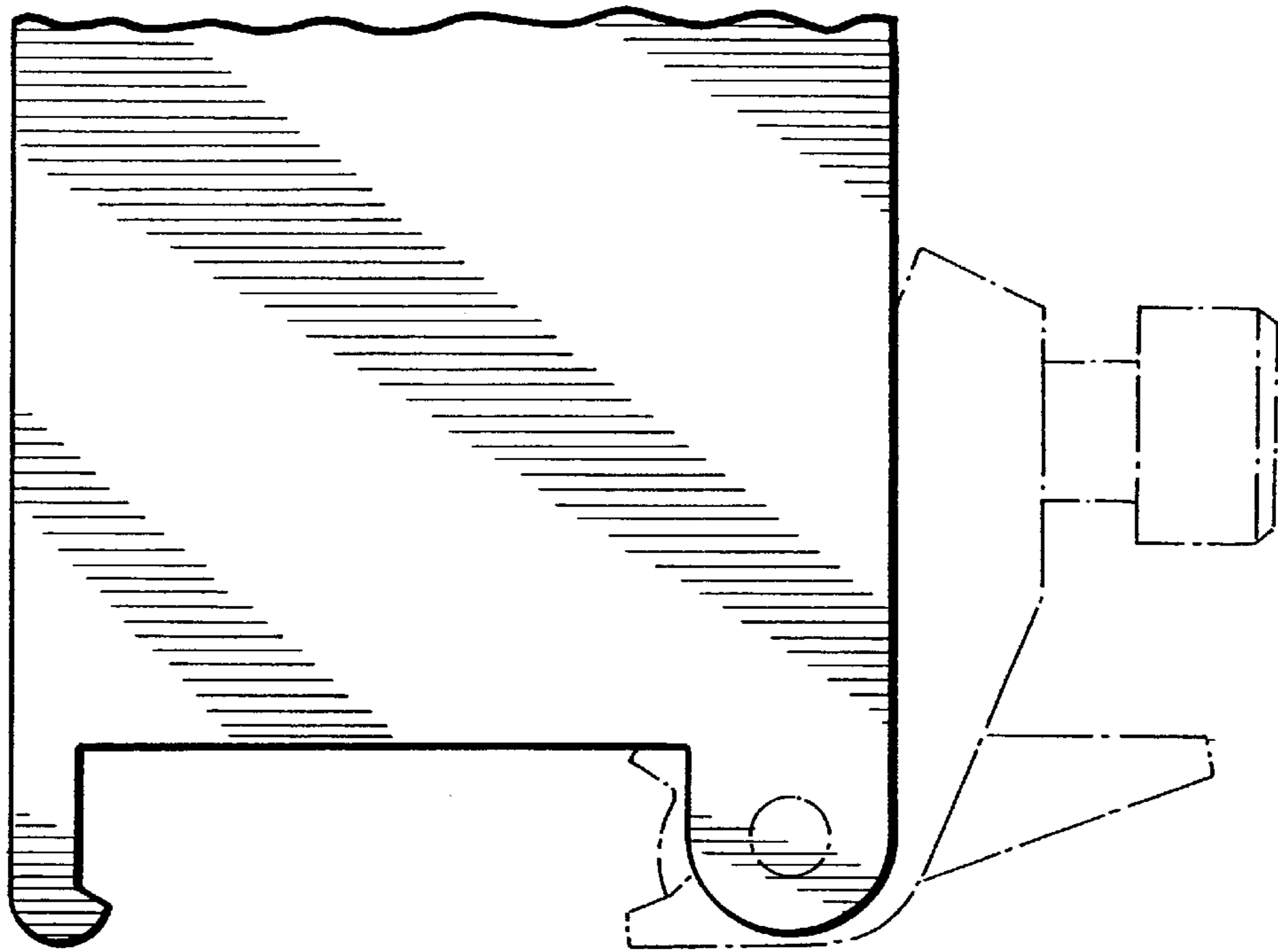


FIG. 8

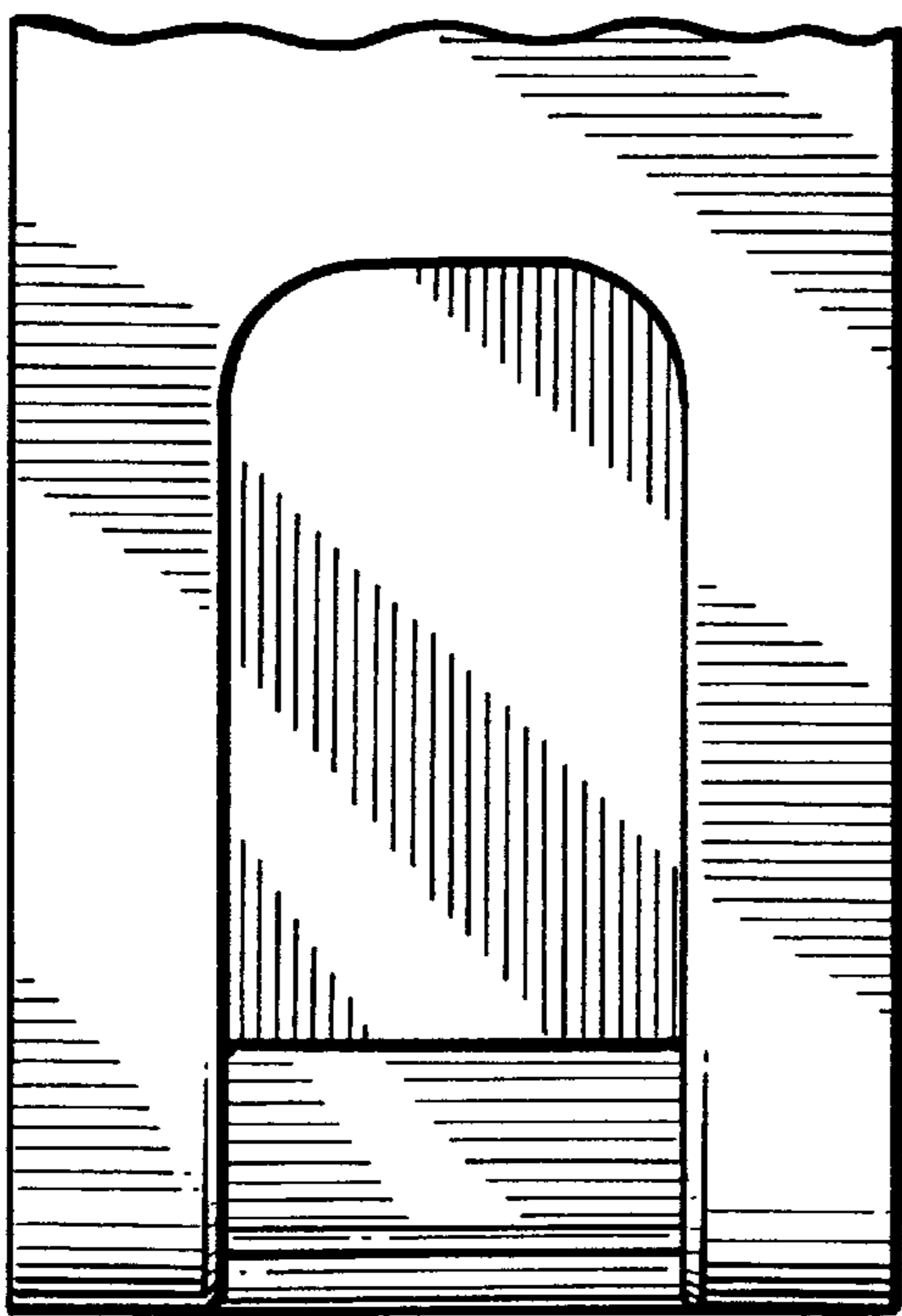


FIG. 9

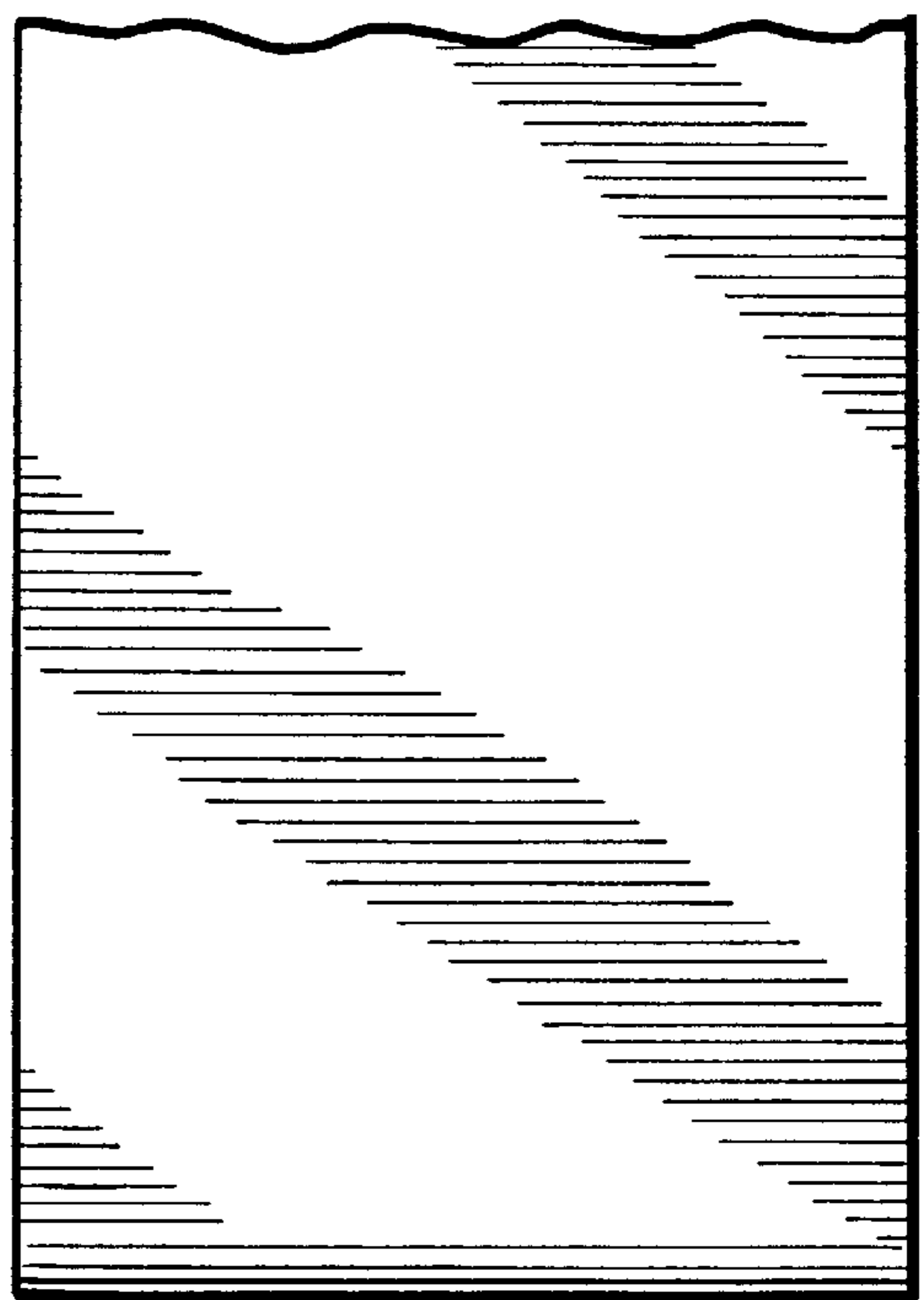


FIG. 10

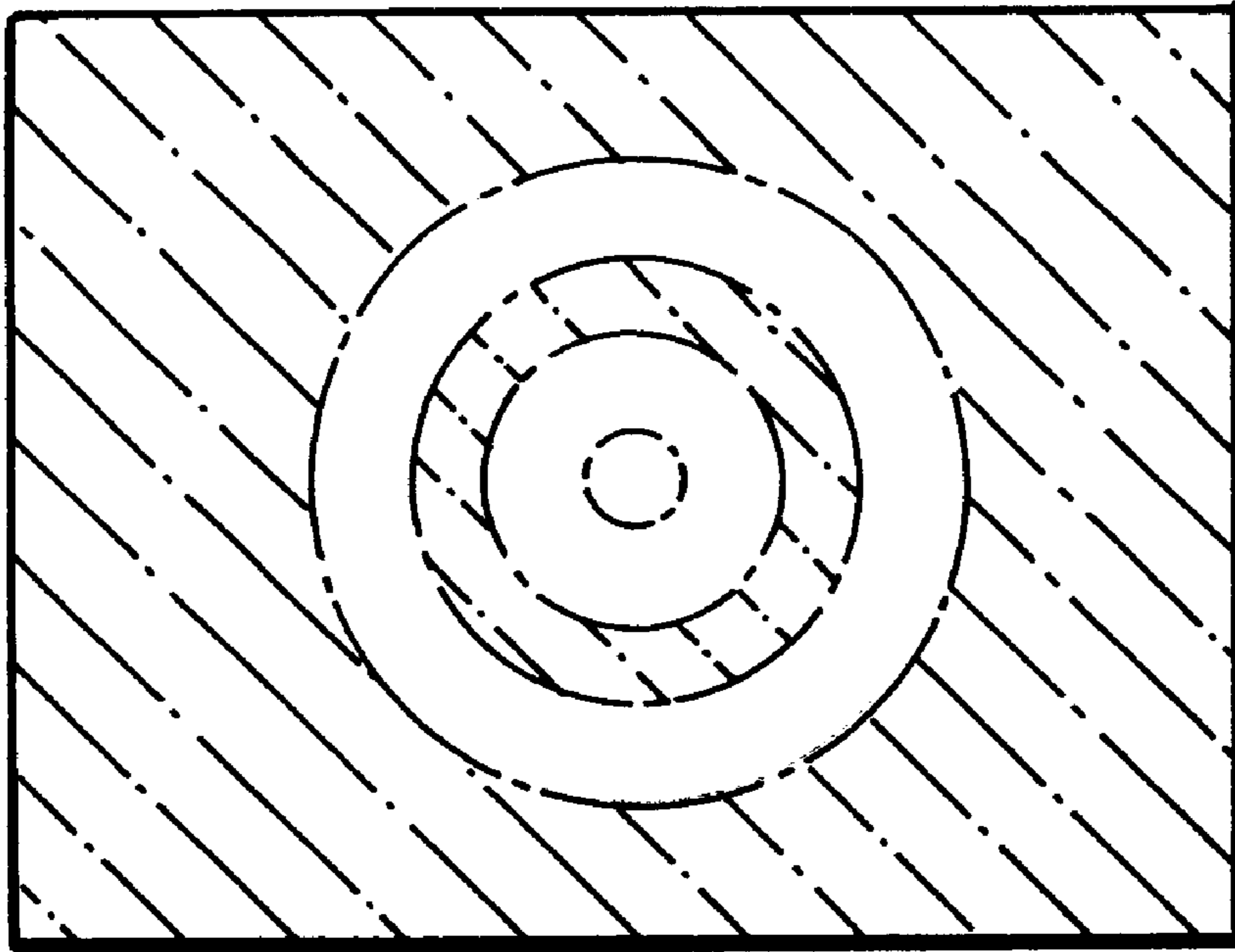


FIG. 11

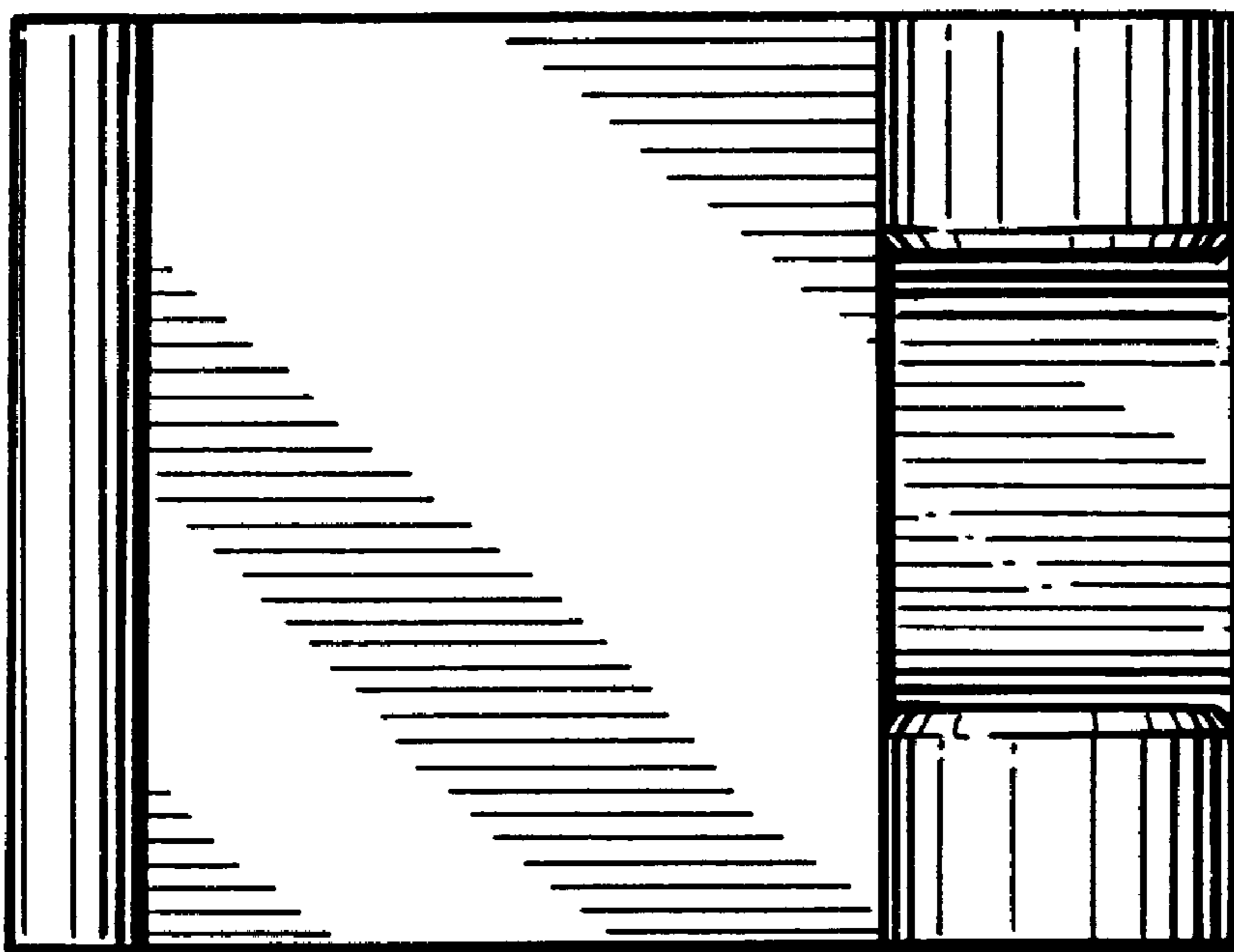


FIG. 12