



US00D456426S

(12) **United States Design Patent**  
**Boyer et al.**

(10) **Patent No.:** **US D456,426 S**

(45) **Date of Patent:** **\*\* Apr. 30, 2002**

(54) **WELDING TOOL**

D363,298 S \* 10/1995 Tanaka ..... D15/144

(75) Inventors: **Jean-Noël Boyer**, Meetray; **Olivier Tiberghien**, Semblancay; **Daniel Chevassu**, Chateau du Loir, all of (FR)

\* cited by examiner

*Primary Examiner*—Antoine Duval Davis  
(74) *Attorney, Agent, or Firm*—Cantor Colburn LLP

(73) Assignee: **ARO** (FR)

(57) **CLAIM**

(\*\*) Term: **14 Years**

The ornamental design for a welding tool, as shown and described.

(21) Appl. No.: **29/129,999**

**DESCRIPTION**

(22) Filed: **Sep. 25, 2000**

FIG. 1 is a front perspective view of a welding tool showing our new design;

(51) **LOC (7) Cl.** ..... **15-09**

FIG. 2 is a rear perspective view thereof;

(52) **U.S. Cl.** ..... **D15/144**

FIG. 3 is a left elevational view thereof;

(58) **Field of Search** ..... D15/144, 144.1, D15/144.2; 219/86.21, 86.33

FIG. 4 is a right elevational view thereof;

FIG. 5 is a top view thereof;

FIG. 6 is an bottom view thereof;

FIG. 7 is a front view thereof; and,

FIG. 8 is a rear view thereof.

(56) **References Cited**

**U.S. PATENT DOCUMENTS**

D327,694 S \* 7/1992 Tanaka ..... D15/144

**1 Claim, 5 Drawing Sheets**

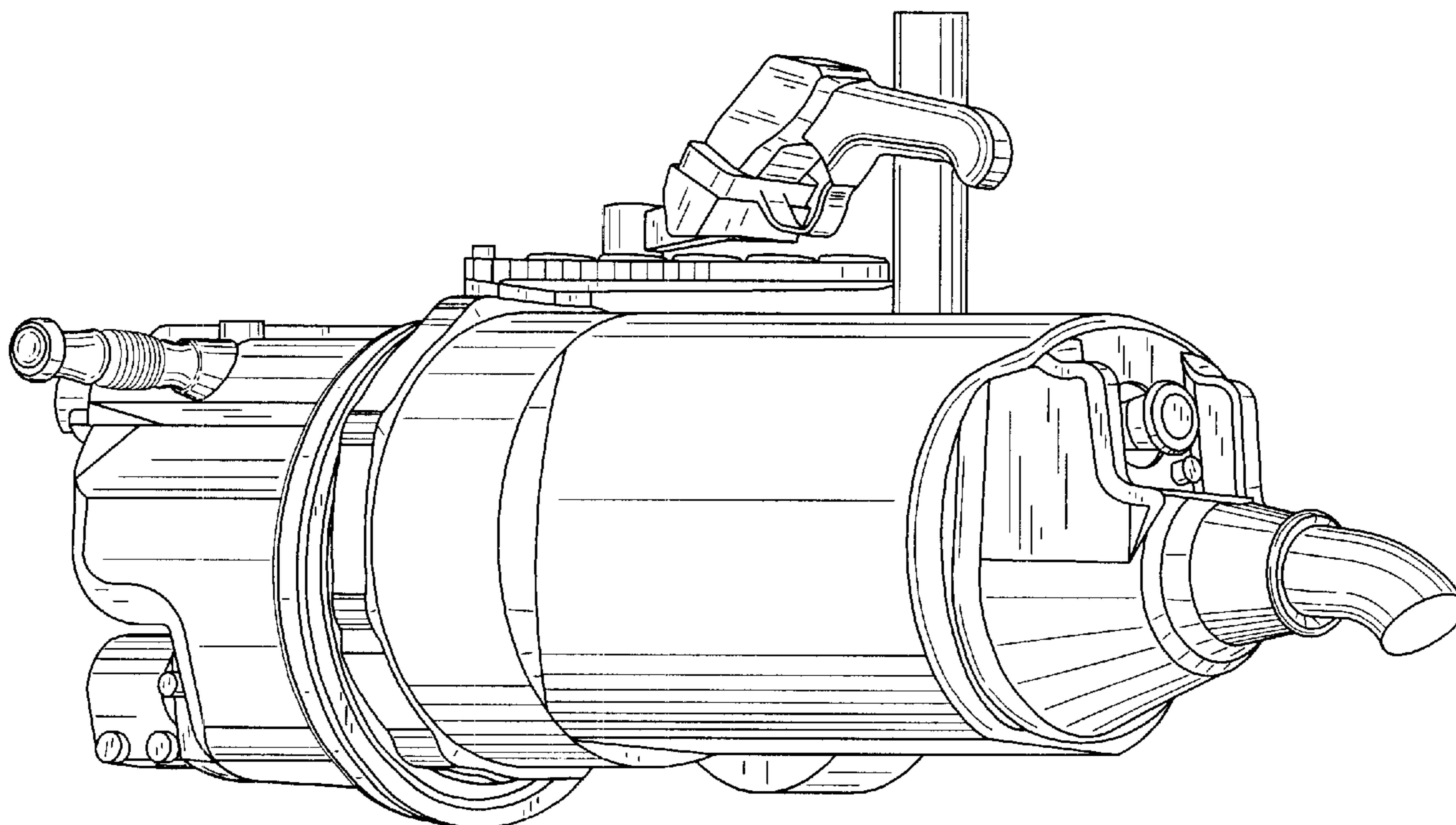


FIG. 1

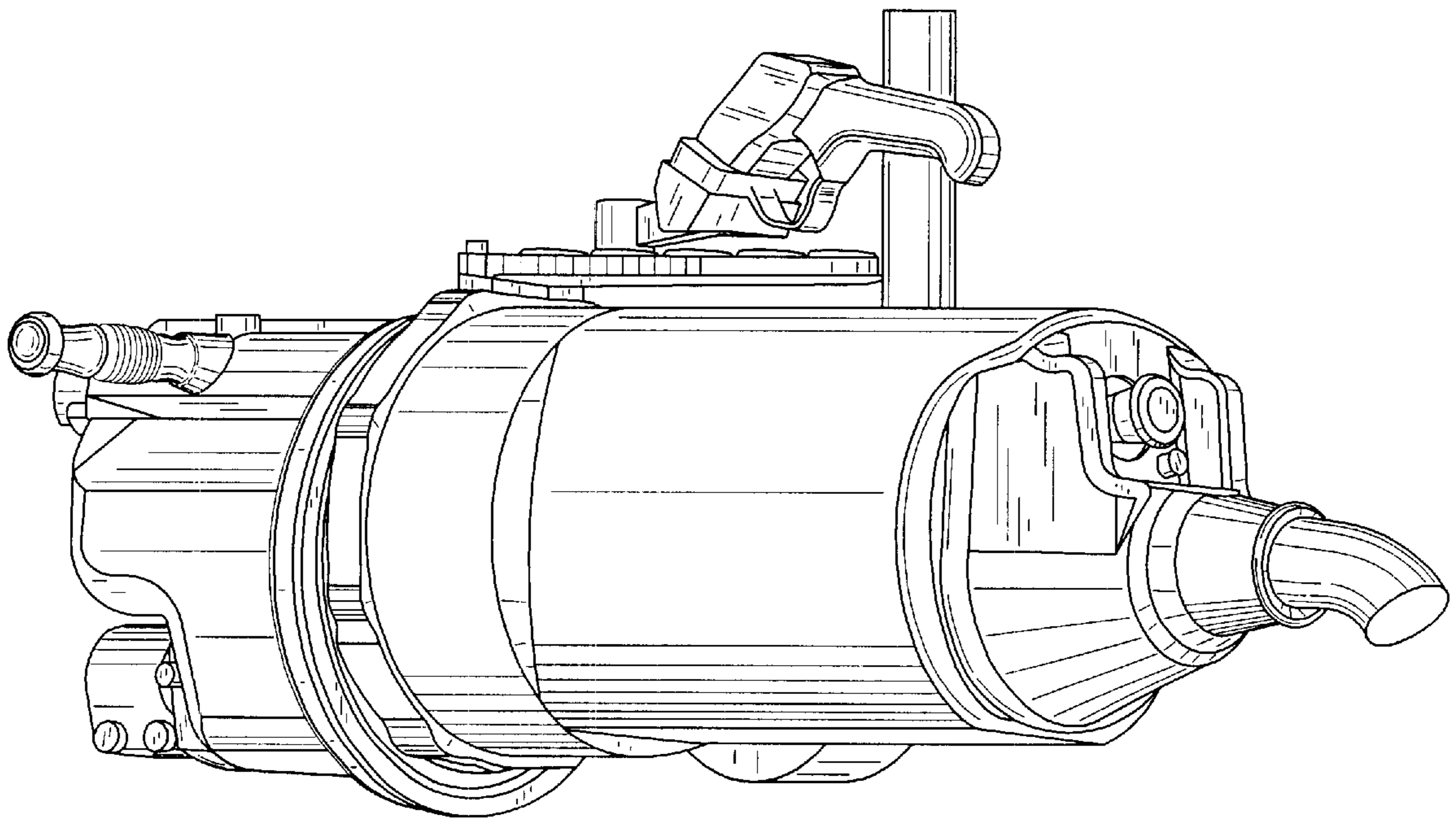


FIG. 2

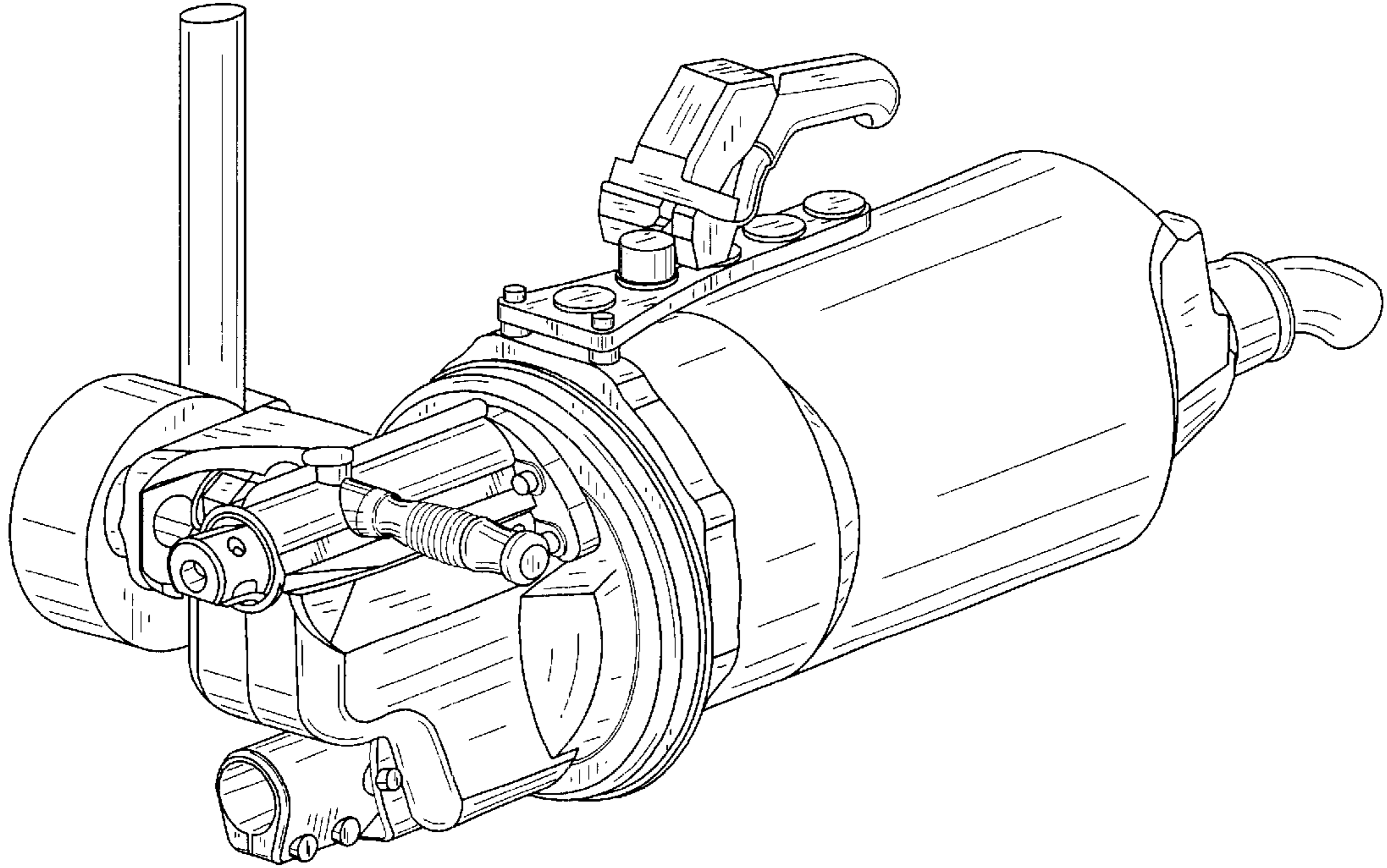


FIG. 3

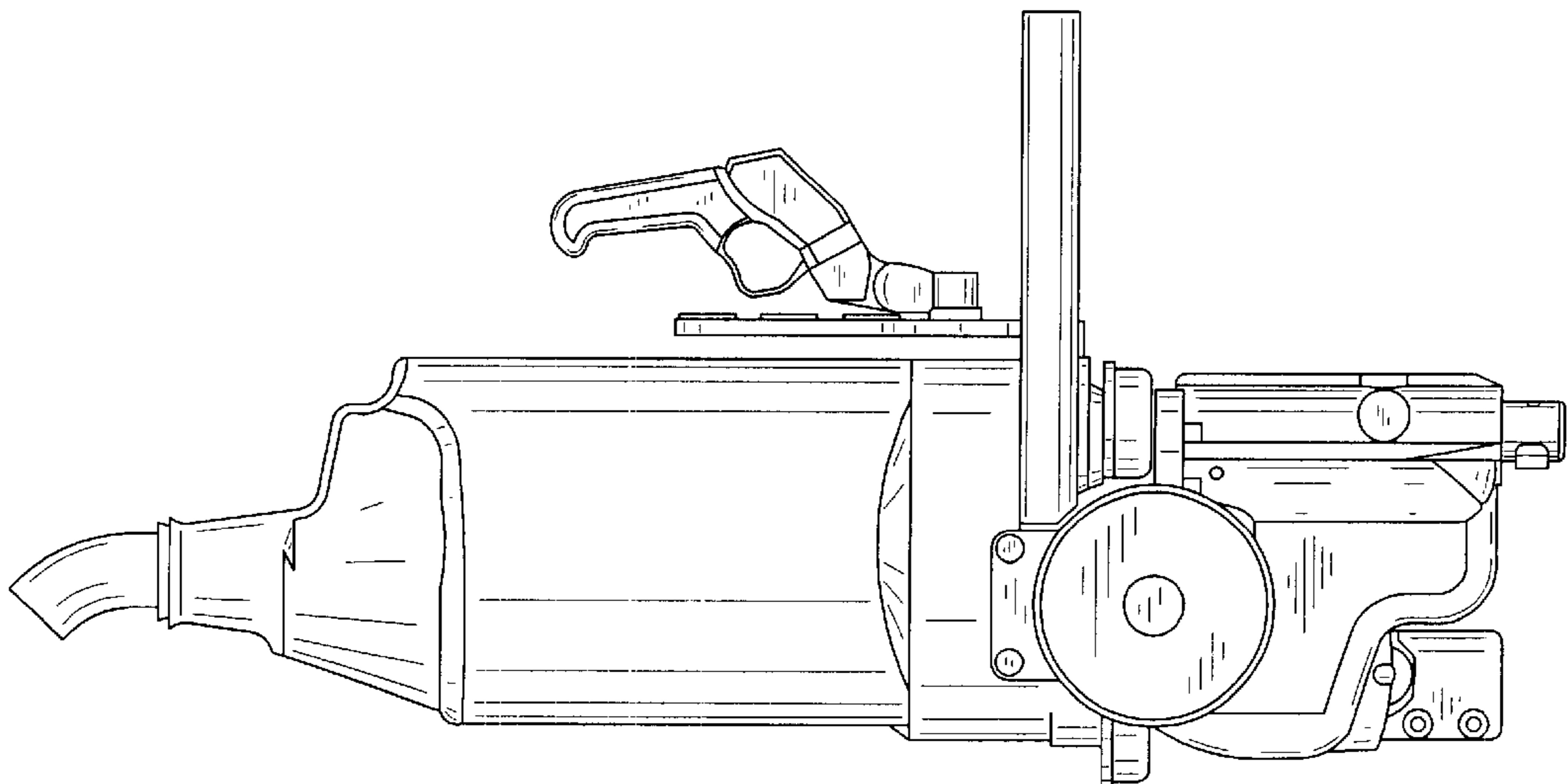


FIG. 4

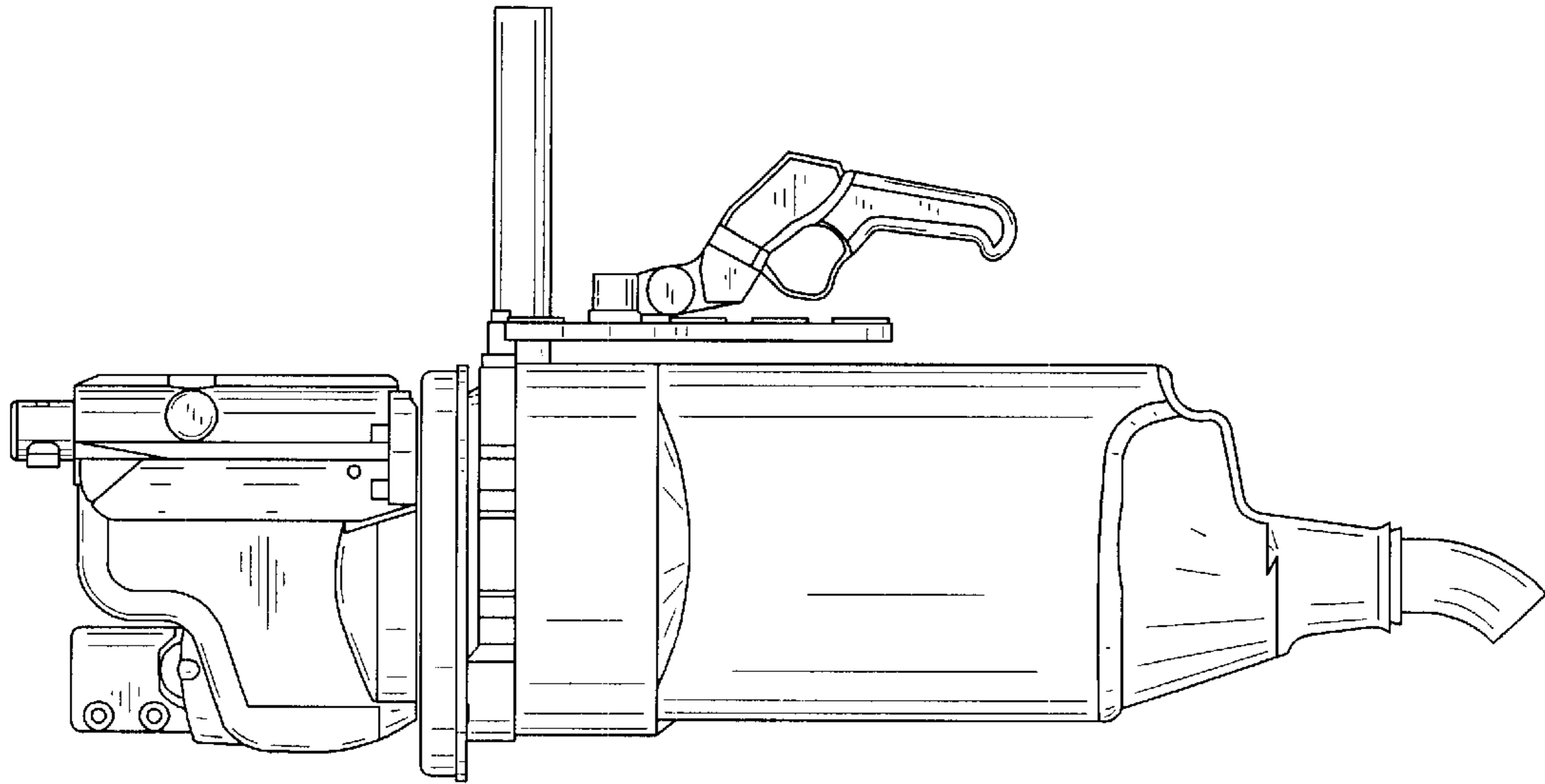


FIG. 5

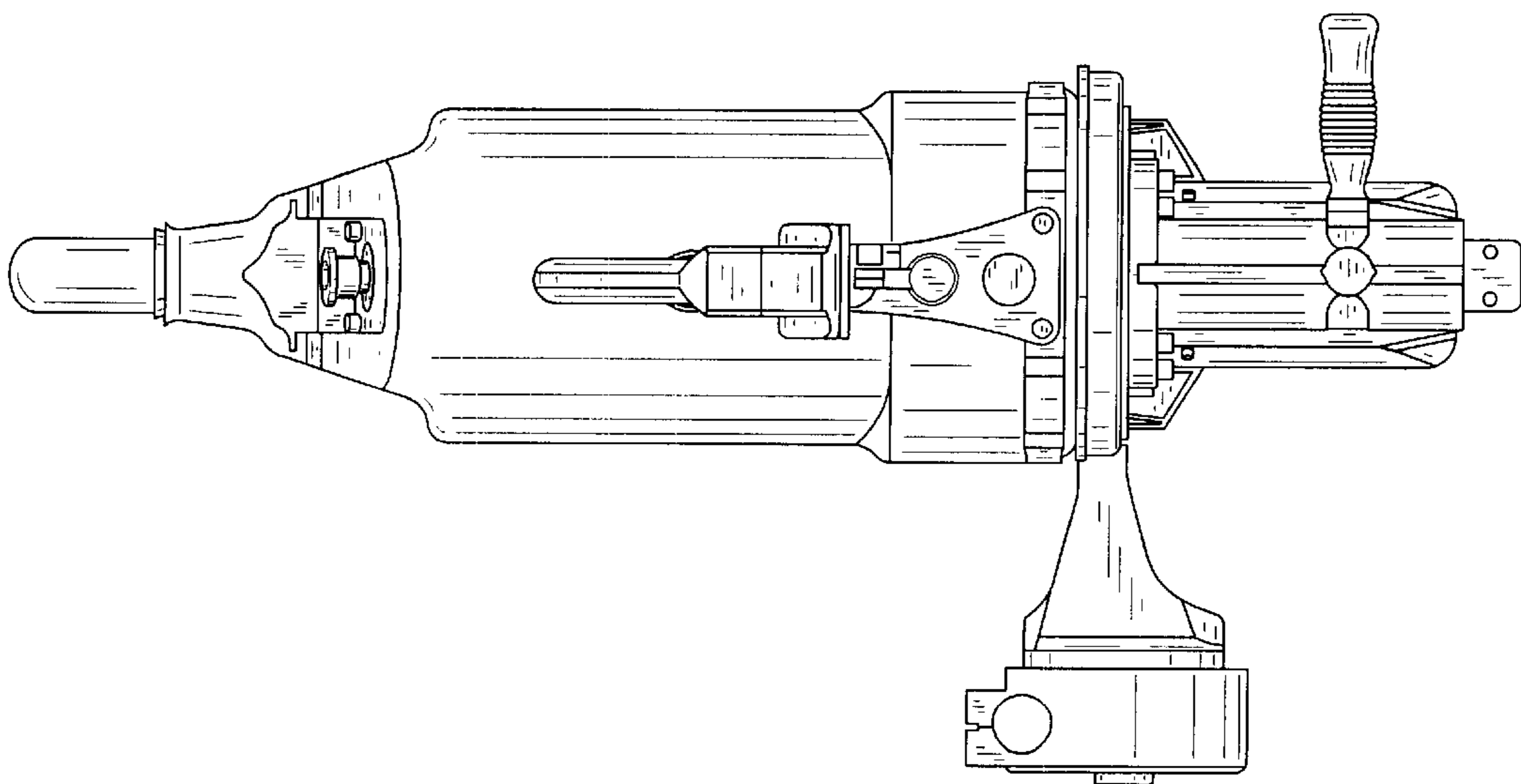


FIG. 6

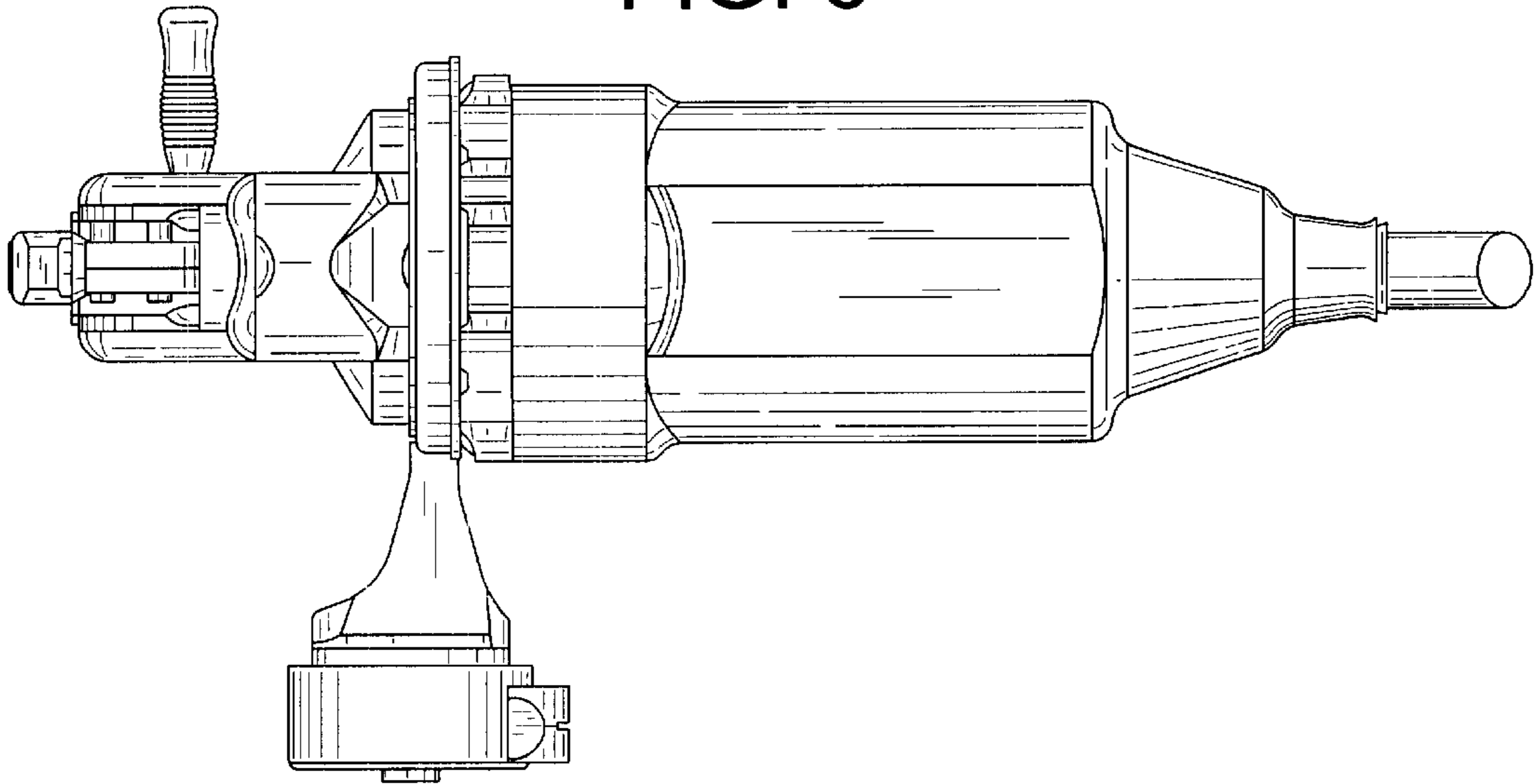


FIG. 7

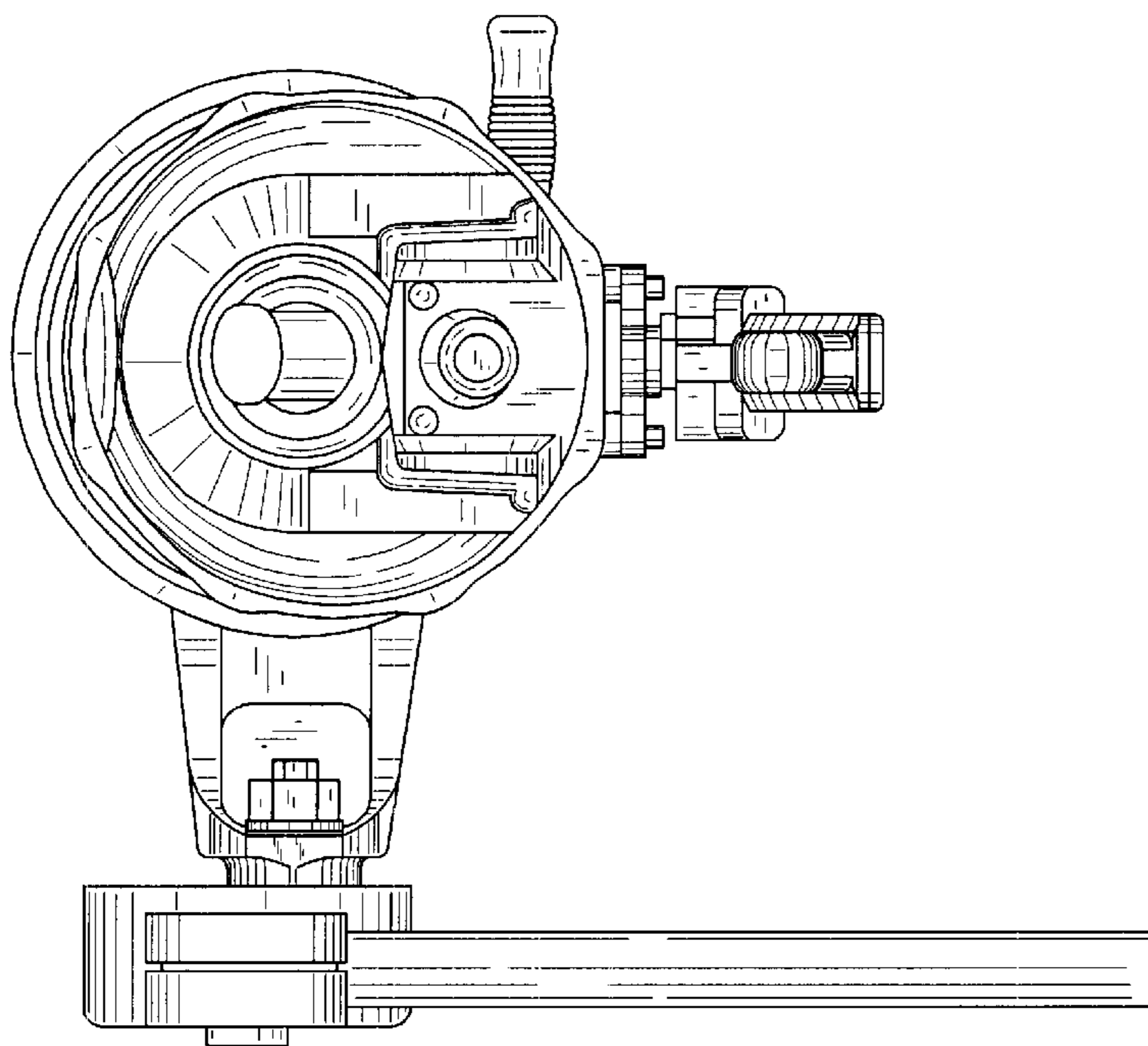


FIG. 8

