



US00D456424S

(12) **United States Design Patent**
Rowse et al.

(10) **Patent No.:** **US D456,424 S**
(45) **Date of Patent:** **** Apr. 30, 2002**

(54) **FLUFFER TOOTH**

CA 1024753 1/1978

(76) Inventors: **Dan D. Rowse**, 2315 N., Ord, NE (US) 68862; **Ron A. Rowse**, HC 80 Box 43, Burwell, NE (US) 68823

* cited by examiner

(**) Term: **14 Years**

Primary Examiner—Mitchell Siegel
(74) *Attorney, Agent, or Firm*—McKee, Voorhees & Sease, P.L.C.

(21) Appl. No.: **29/119,697**

(57) **CLAIM**

(22) Filed: **Mar. 6, 2000**

We claim the ornamental design for a fluffer tooth, substantially as shown and described.

(51) **LOC (7) Cl.** **15-03**

(52) **U.S. Cl.** **D15/29**

(58) **Field of Search** D15/28, 29; 56/400, 56/400.21, 291, 98; 198/198, 200, 168, 172-176

DESCRIPTION

(56) **References Cited**

U.S. PATENT DOCUMENTS

67,705 A * 8/1867 Ball 56/400
3,344,908 A * 10/1967 Hofer 56/400
3,935,697 A 2/1976 Hofer

FIG. 1 is a perspective view of a fluffer tooth showing our new design.

FIG. 2 is a top plan view thereof.

FIG. 3 is a side elevation view thereof taken from the right side in FIG. 1.

FIG. 4 is a front elevational view thereof.

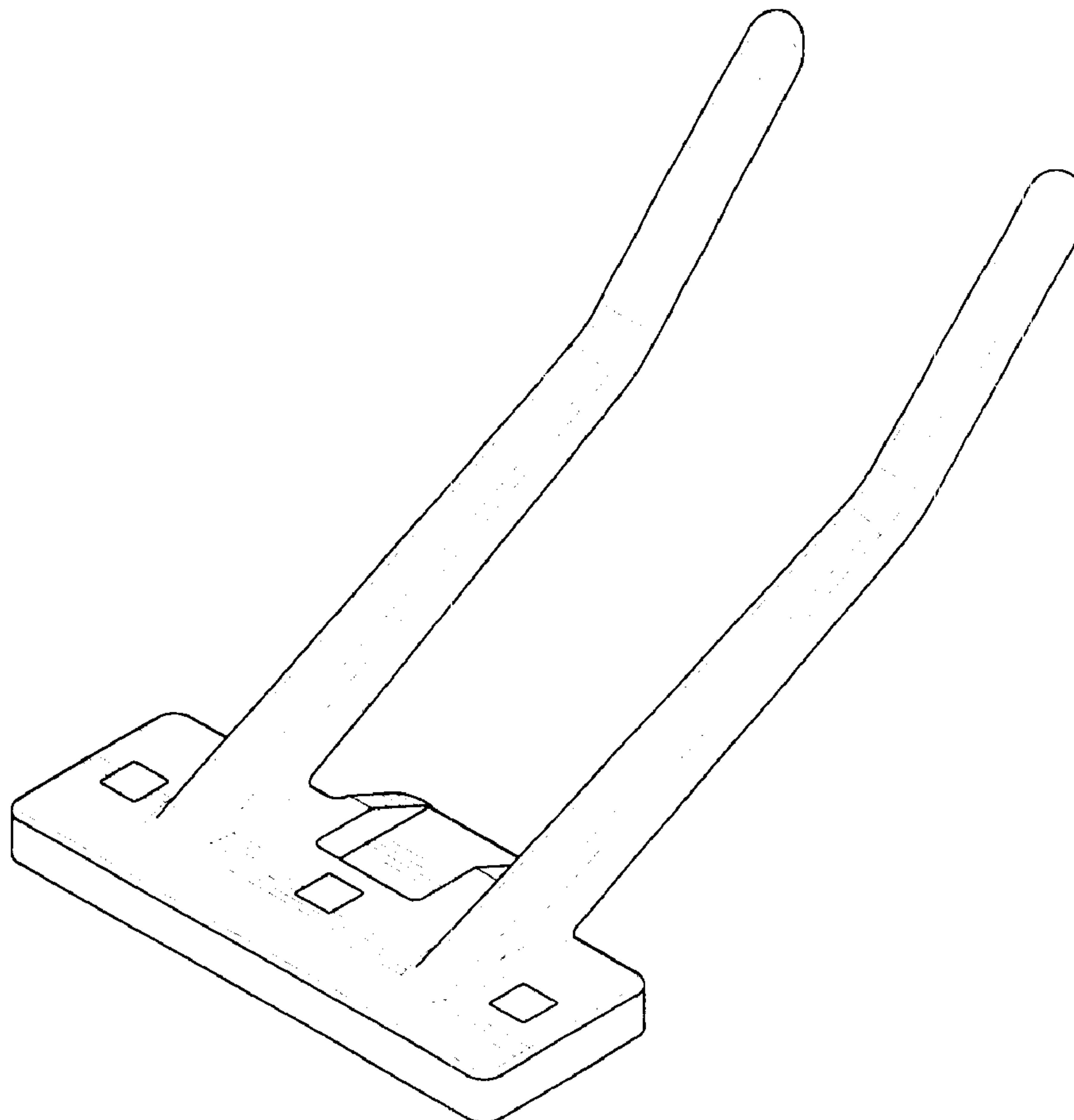
FIG. 5 is a rear elevational view thereof; and,

FIG. 6 is a bottom plan view thereof.

FOREIGN PATENT DOCUMENTS

CA 767371 9/1967

1 Claim, 1 Drawing Sheet



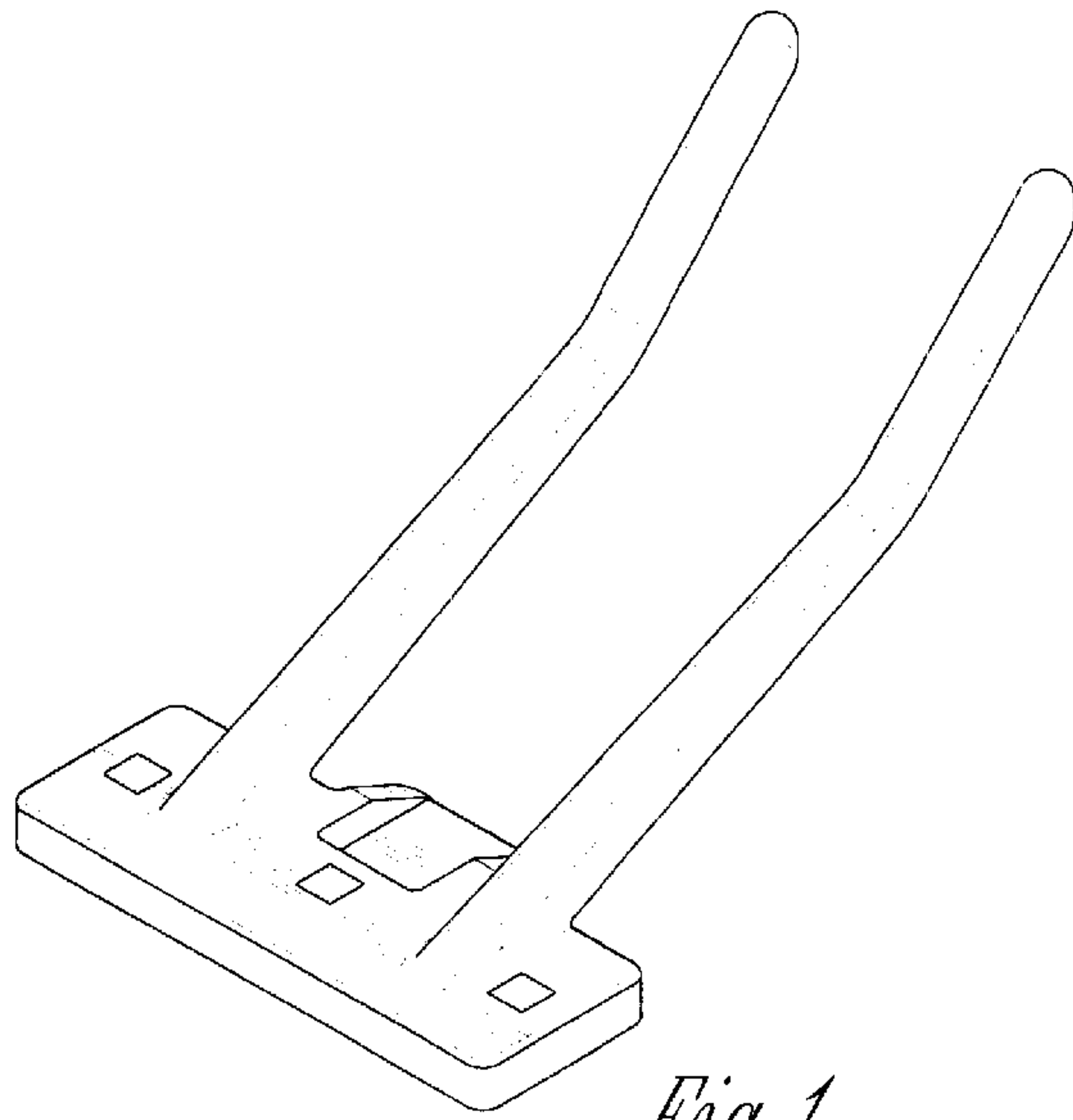


Fig. 1

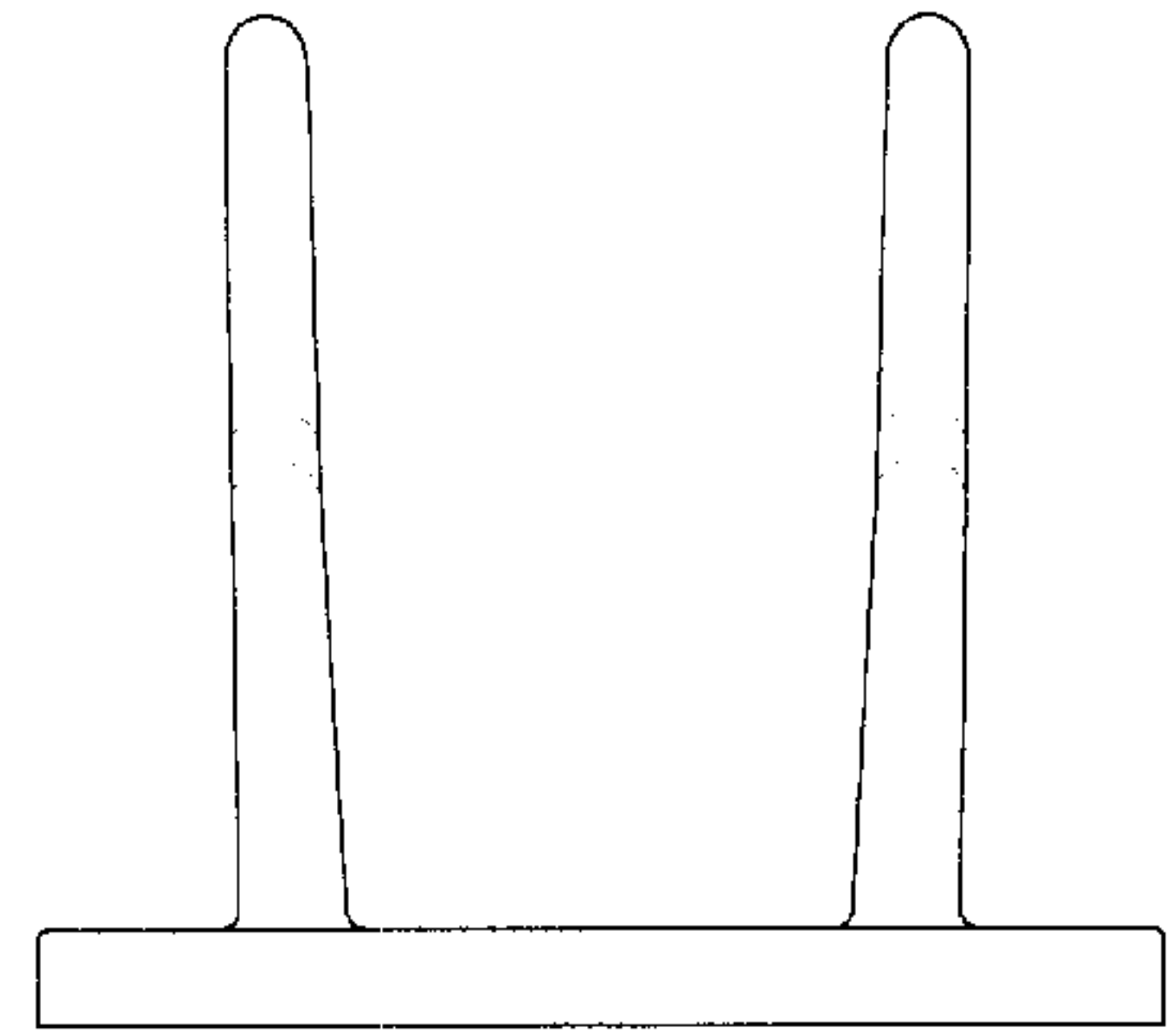


Fig. 4

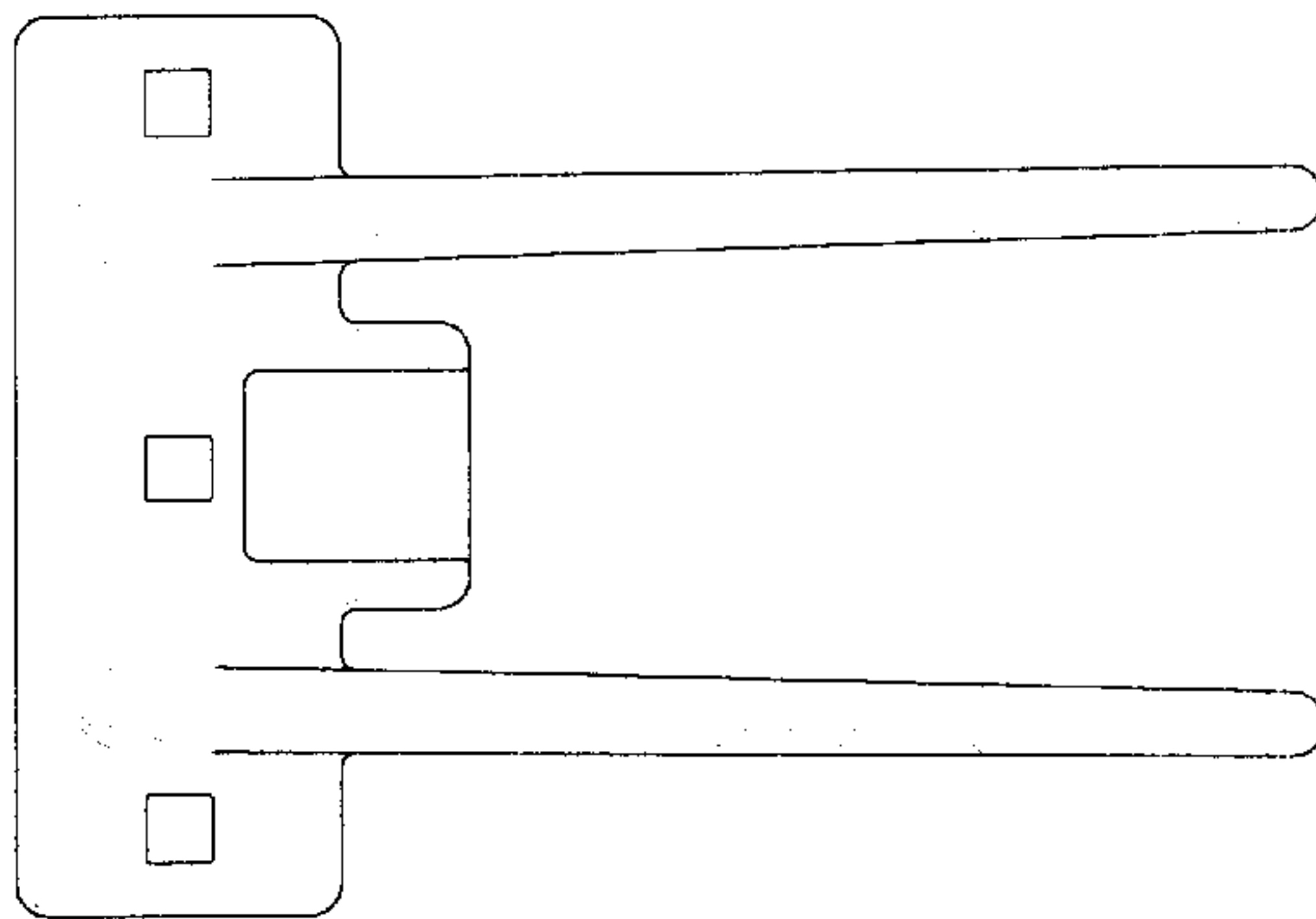


Fig. 2

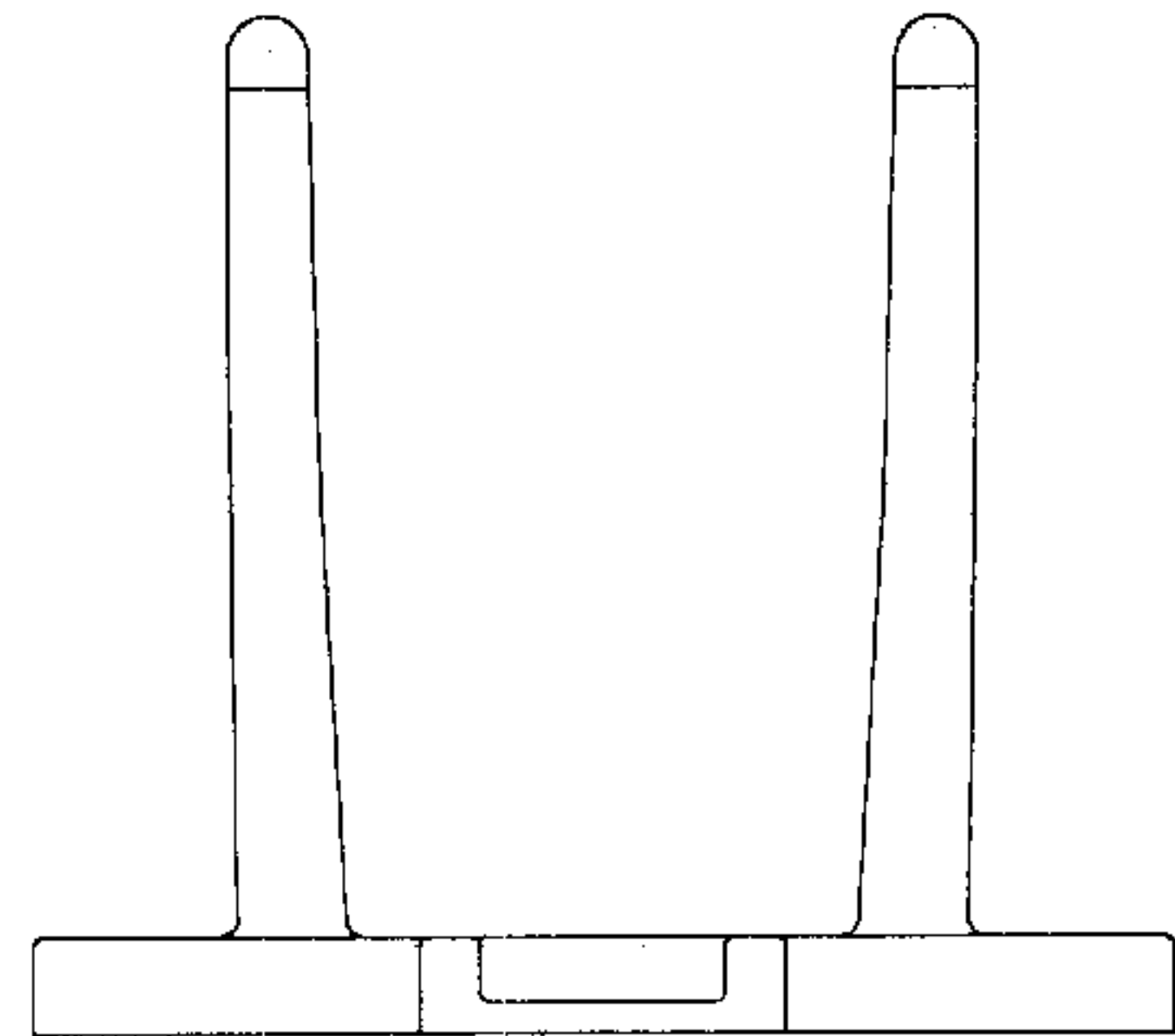


Fig. 5

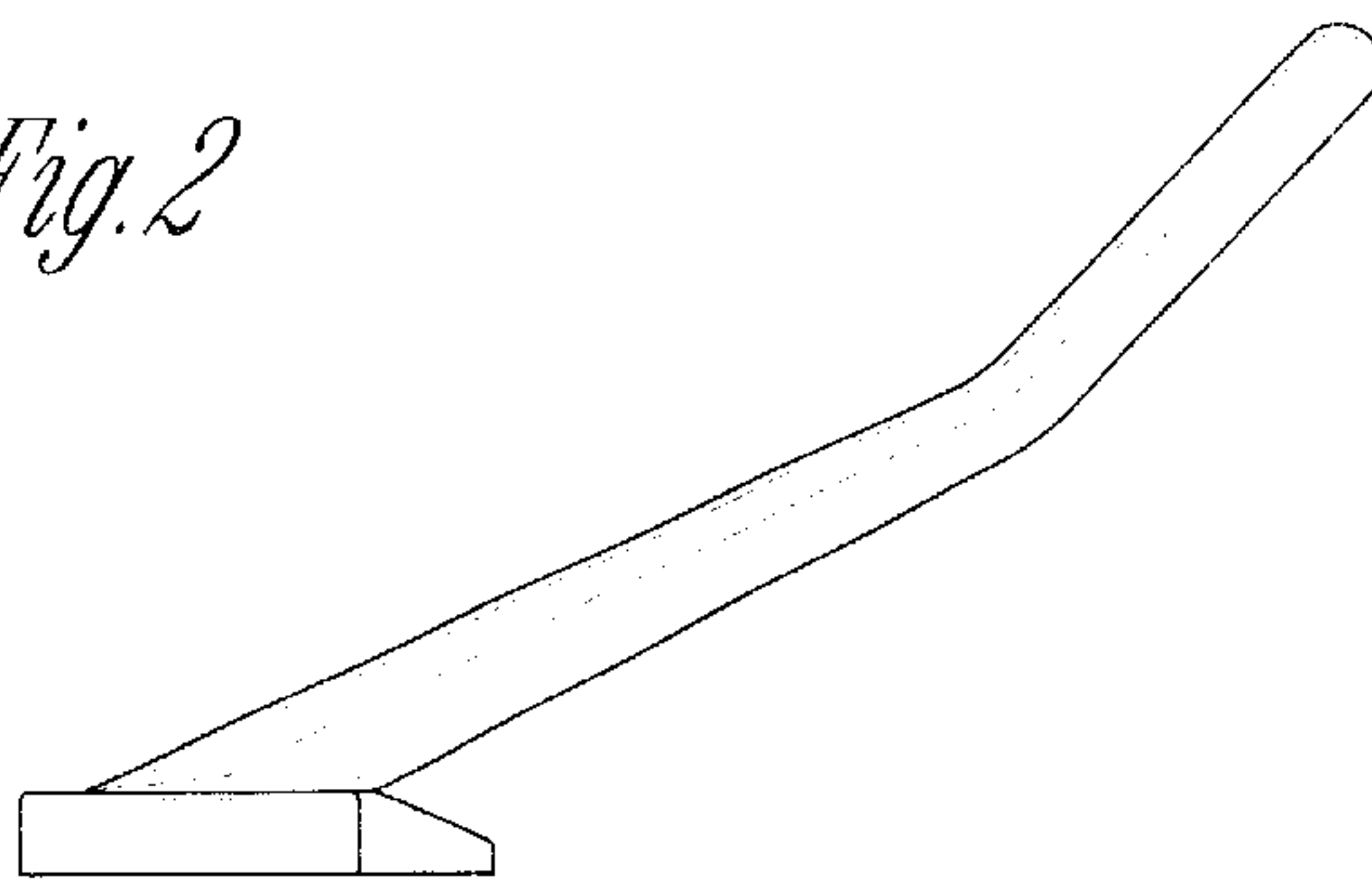


Fig. 3

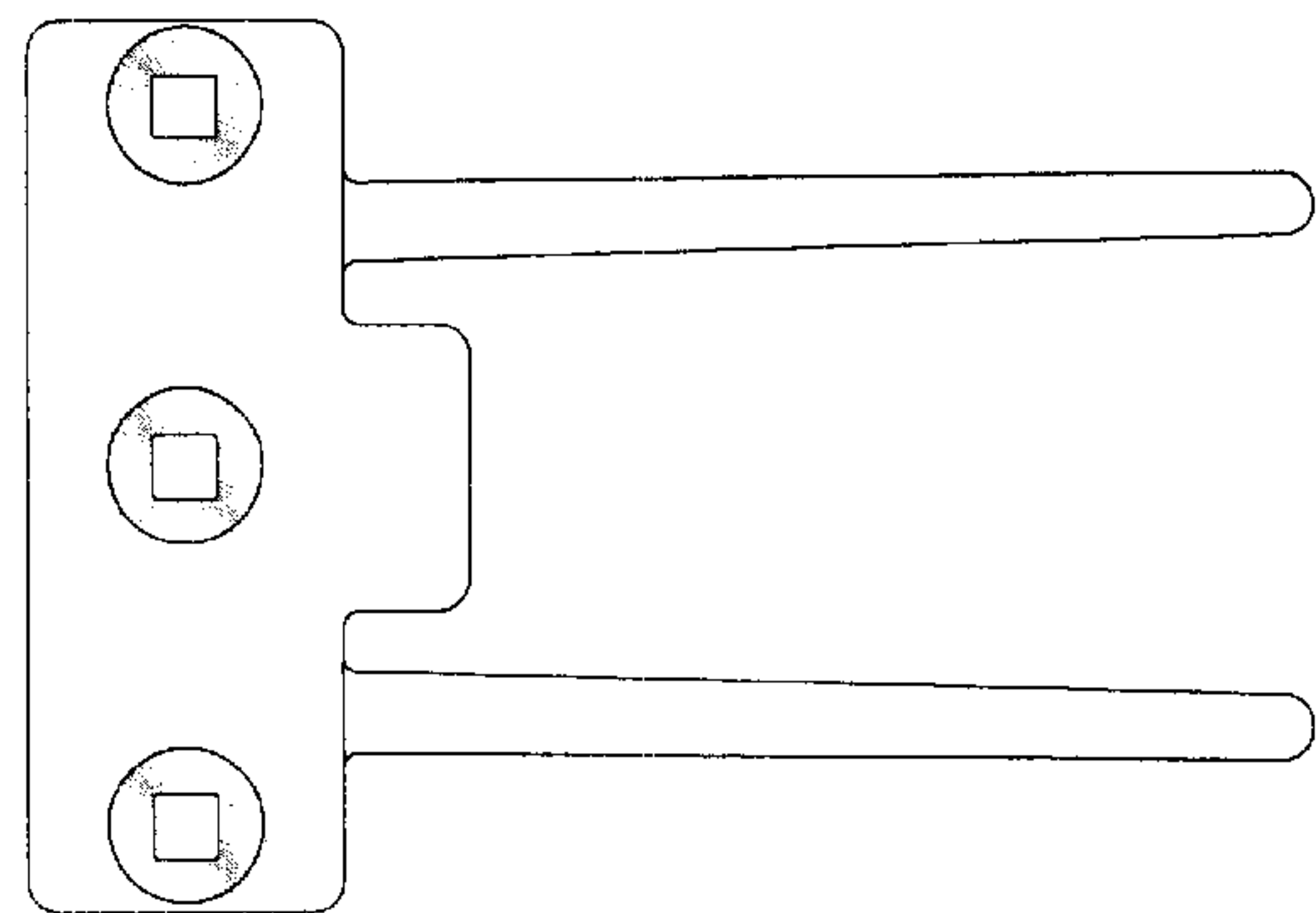


Fig. 6