



US00D456417S

(12) **United States Design Patent**
Tonizzo et al.

(10) **Patent No.:** **US D456,417 S**

(45) **Date of Patent:** **** Apr. 30, 2002**

(54) **MOUSE PAD**

(75) Inventors: **Davide Tonizzo**, Toronto; **John R. Edwards**, Nobleton, both of (CA)

(73) Assignee: **Inscape Corporation**, Hollanding Landing (CA)

(**) Term: **14 Years**

(21) Appl. No.: **29/144,597**

(22) Filed: **Jul. 9, 2001**

(30) **Foreign Application Priority Data**

Apr. 18, 2001 (CA) 2001-0990

(51) **LOC (7) Cl.** **14-02**

(52) **U.S. Cl.** **D14/458**

(58) **Field of Search** D14/460, 461, D14/455-457; D18/12; 248/118, 118.1, 118.3, 118.5, 346.01, 917-924; 400/689-693, 715; D6/601; D19/86, 92, 95

(56) **References Cited**

U.S. PATENT DOCUMENTS

4,666,118 A	5/1987	Busche	
5,443,237 A	8/1995	Stadtmauer	
5,556,061 A	* 9/1996	Dickie	248/51
5,564,667 A	10/1996	Copeland et al.	
5,636,822 A	6/1997	Hendershot et al.	
5,730,408 A	3/1998	McAllister et al.	

5,771,814 A	6/1998	Clausen	
5,823,487 A	10/1998	Kirchoff et al.	
5,832,840 A	11/1998	Woof	
5,848,773 A	12/1998	Bourassa	
5,995,082 A	11/1999	Lakoski	
6,003,446 A	12/1999	Leibowitz	
6,045,098 A	4/2000	Timm	
D439,910 S	* 4/2001	Tonizzo et al.	D14/457
D448,387 S	* 9/2001	Betancourt	D14/457

* cited by examiner

Primary Examiner—Kay H. Chin

(74) *Attorney, Agent, or Firm*—Riches, McKenzie & Herbert LLP

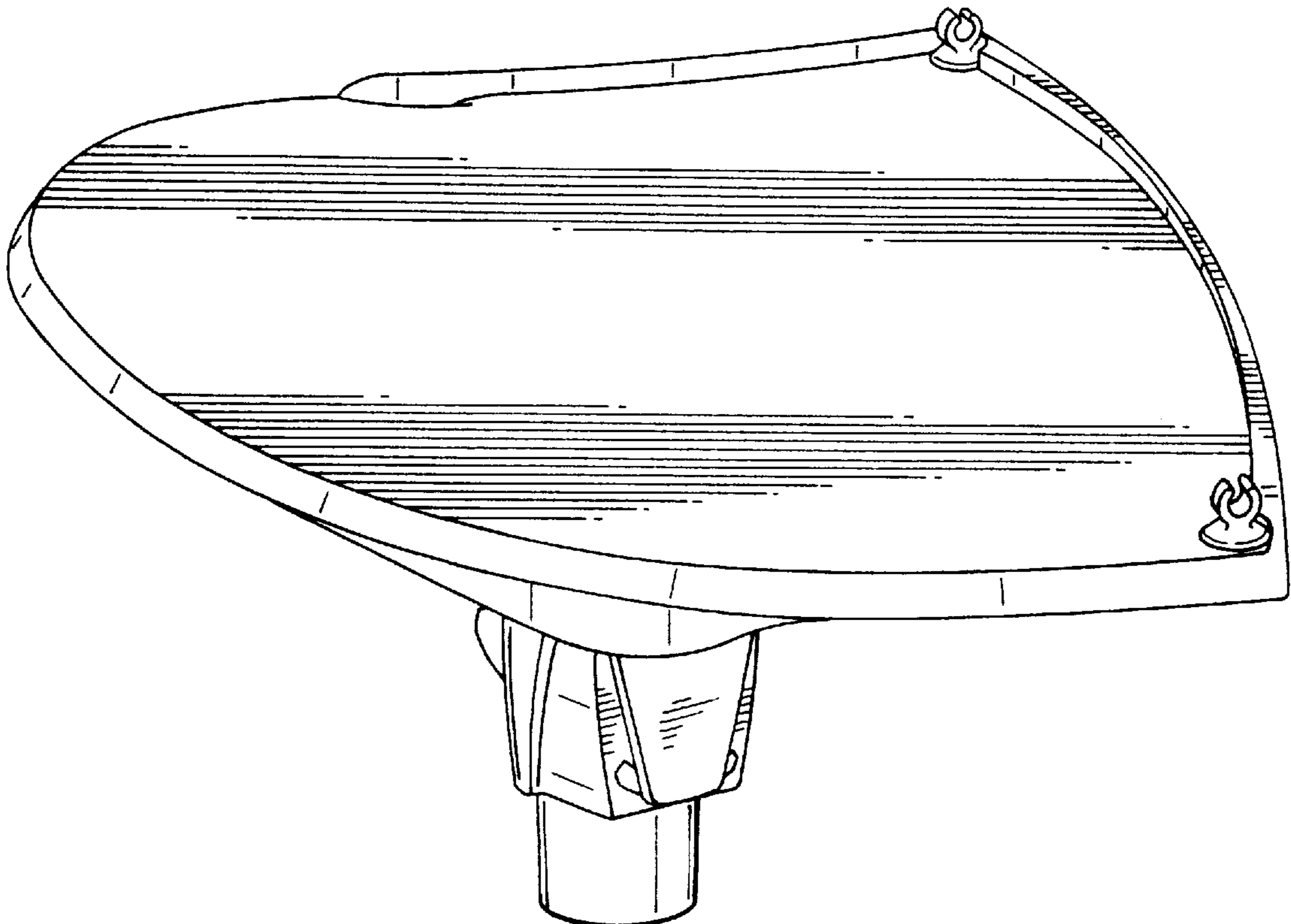
(57) **CLAIM**

We claim the ornamental design for a mouse pad, as shown.

DESCRIPTION

FIG. 1 is a pictorial view of a mouse pad in accordance with the present invention;
 FIG. 2 is a top view of the mouse pad of FIG. 1;
 FIG. 3 is a rear elevation view of the mouse pad of FIG. 1;
 FIG. 4 is a bottom view of the mouse pad of FIG. 1;
 FIG. 5 is a left hand elevation view of the mouse pad of FIG. 1;
 FIG. 6 is a front elevation view of the mouse pad of FIG. 1;
 and,
 FIG. 7 is a right hand side elevation view of the mouse pad of FIG. 1.

1 Claim, 3 Drawing Sheets



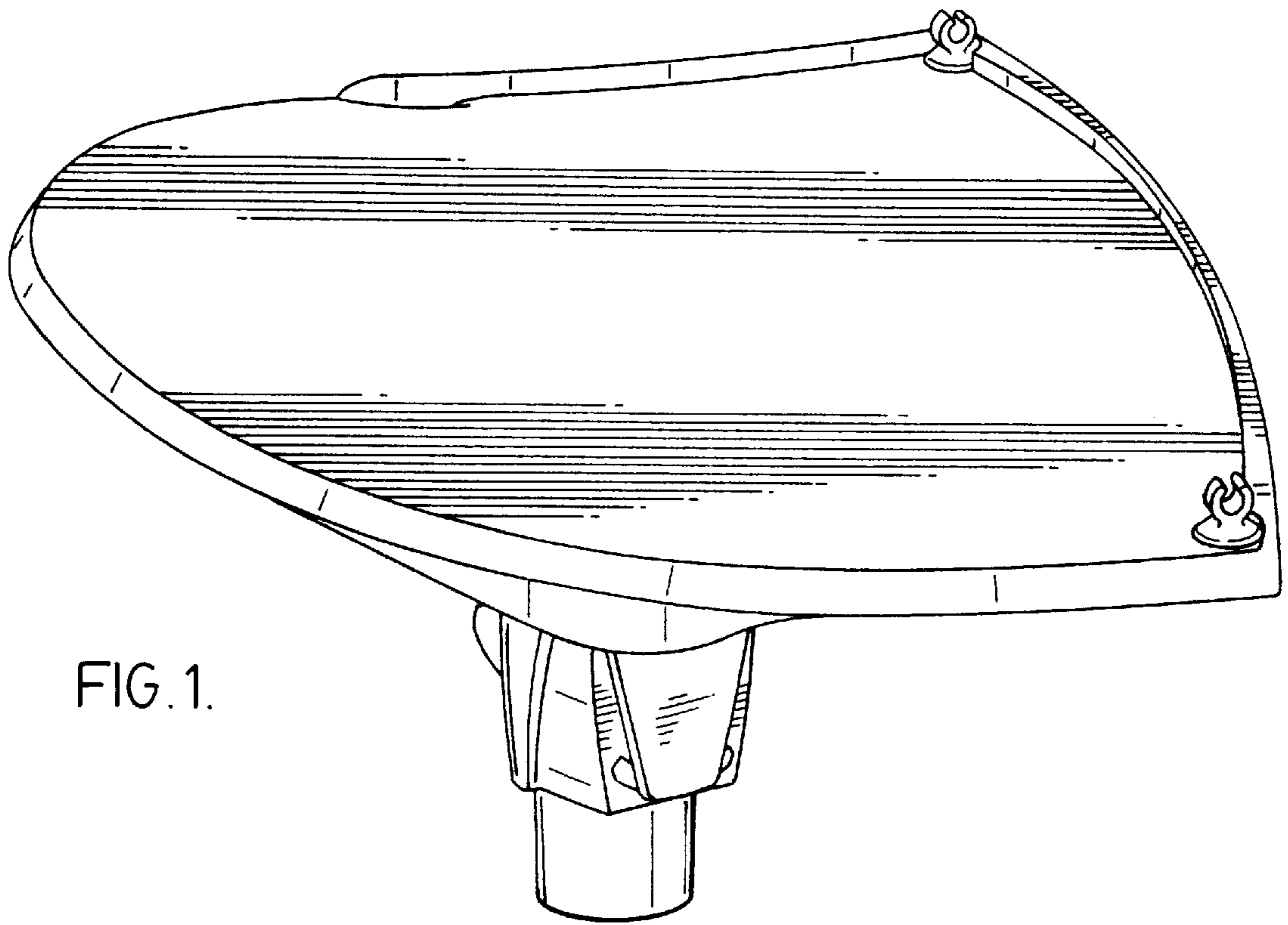


FIG. 1.

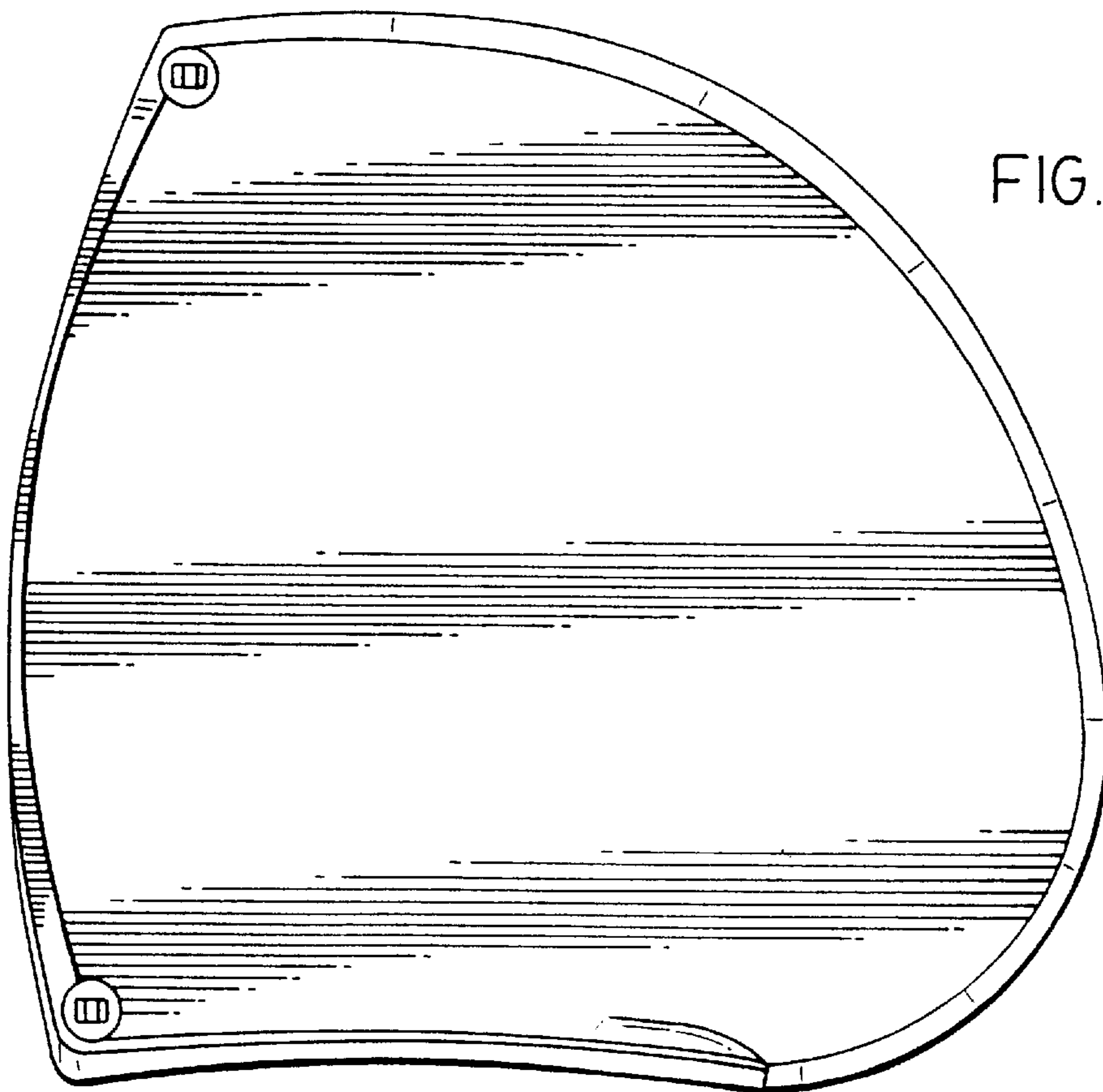


FIG. 2.

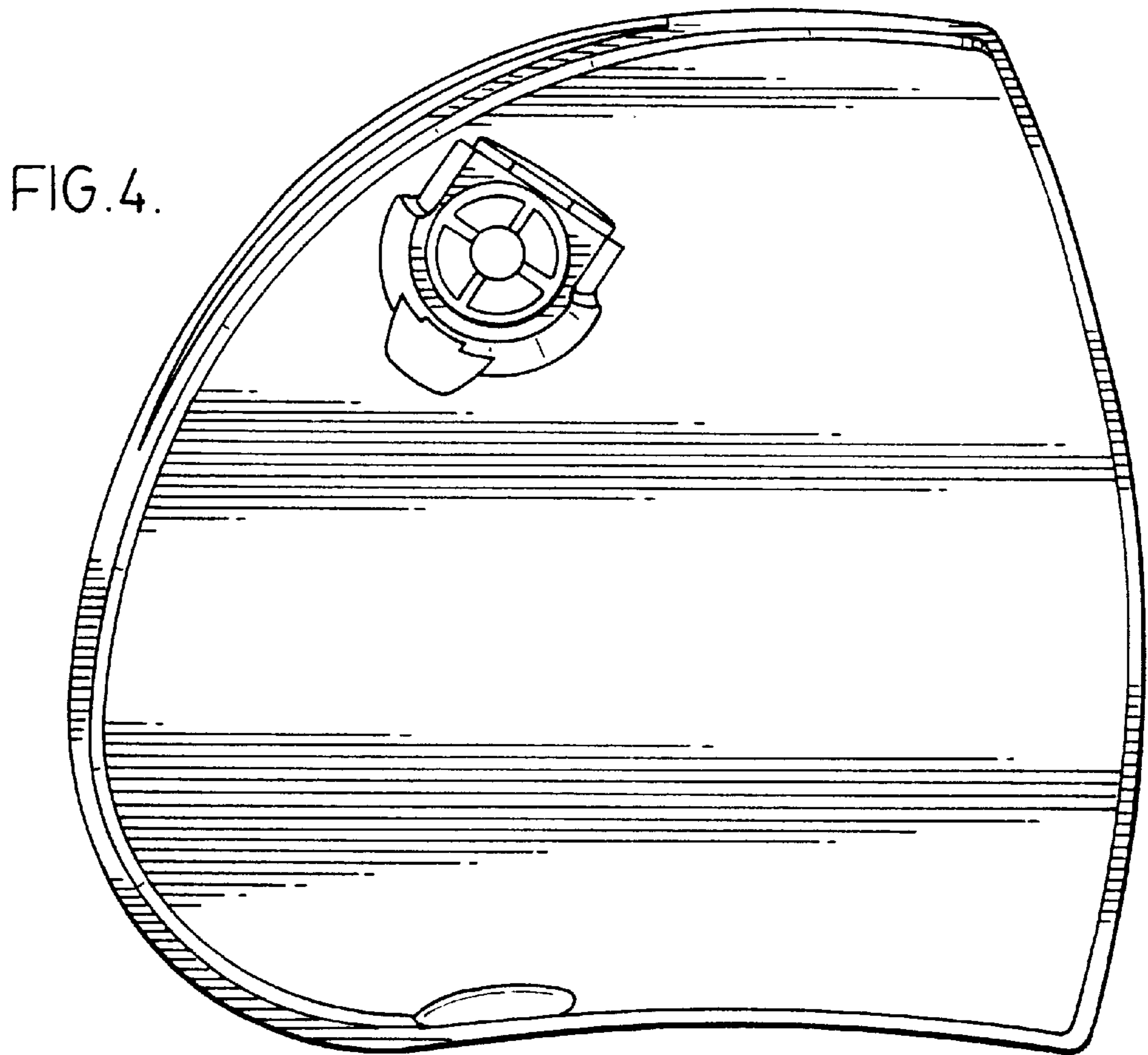
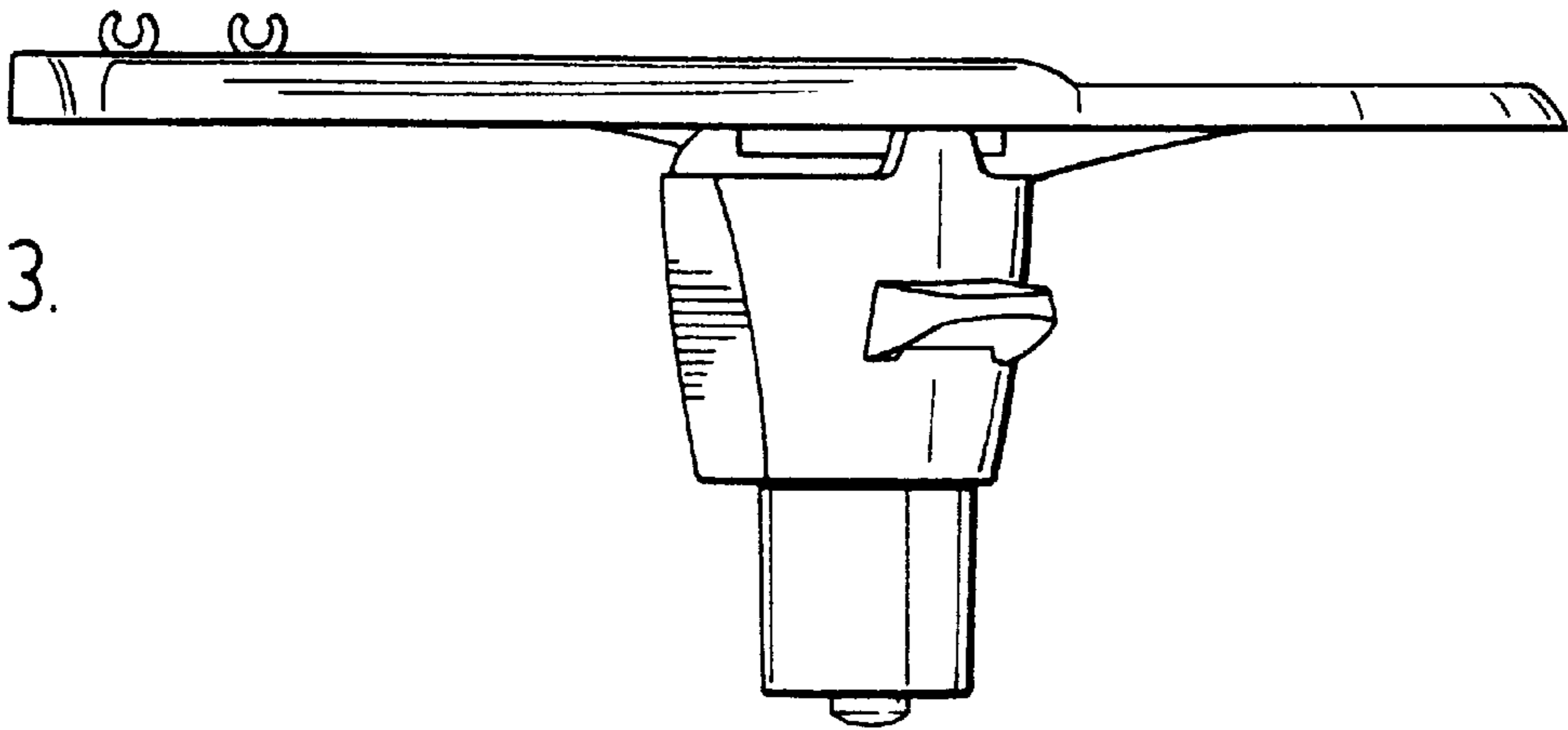


FIG. 5.

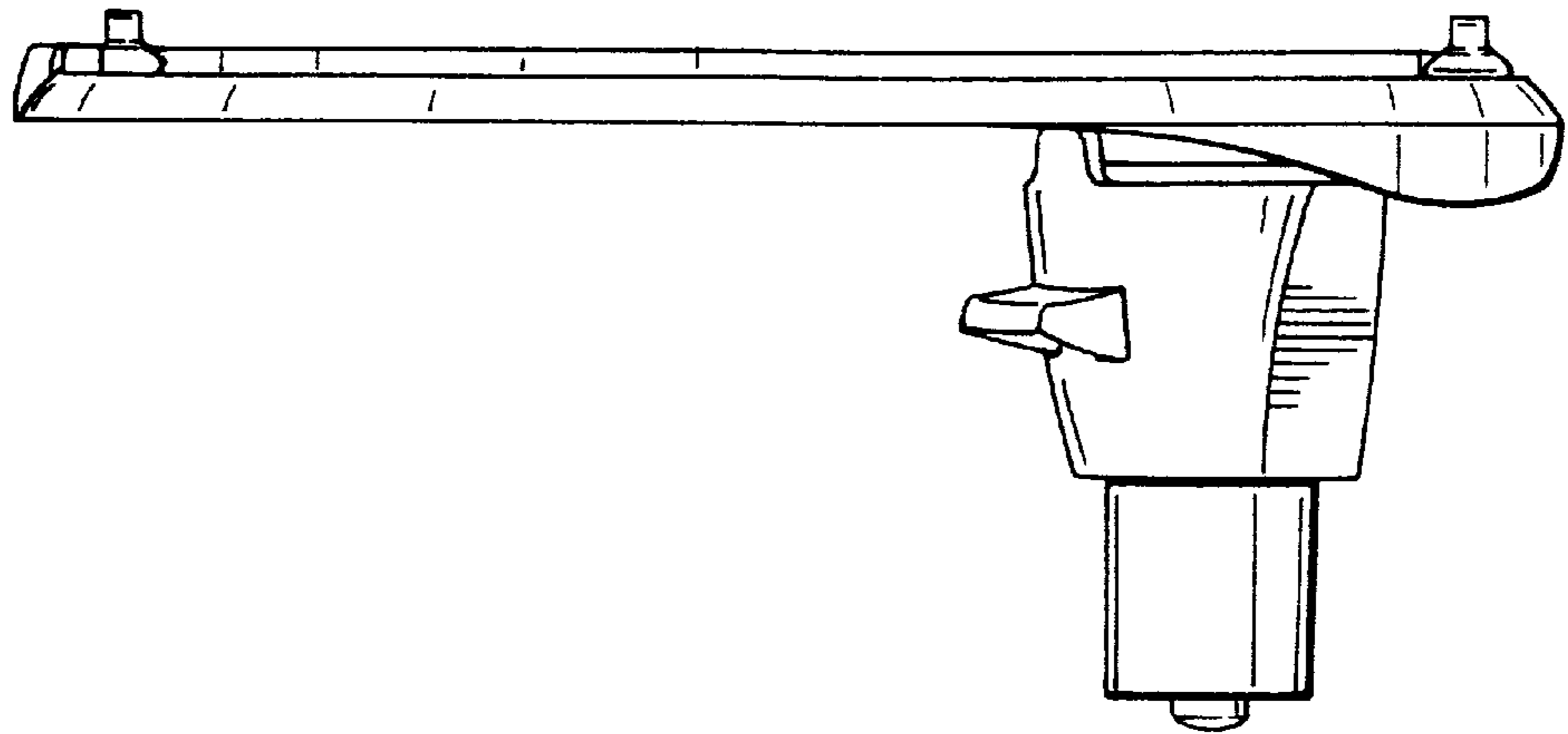


FIG. 6.

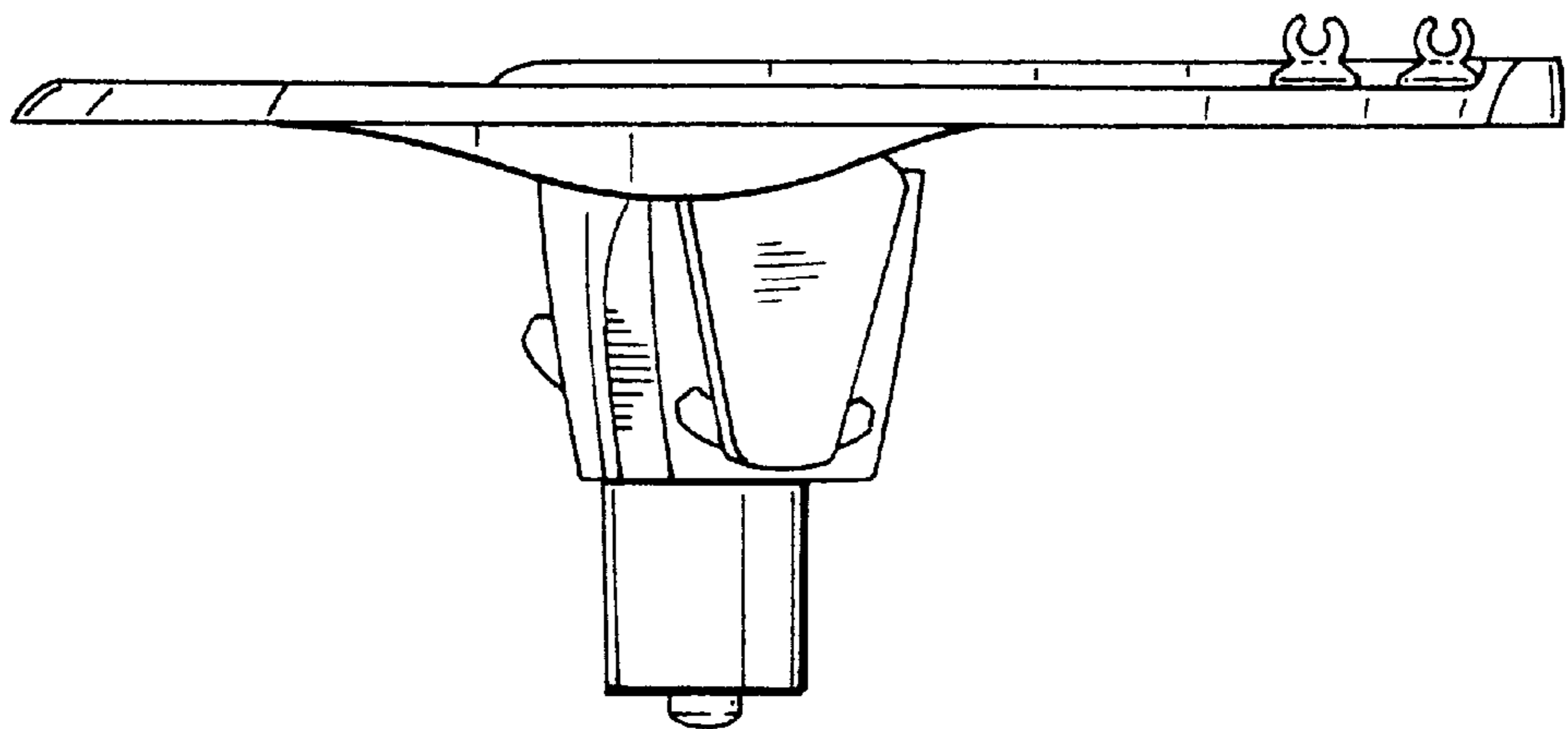


FIG. 7.

