



US00D456416S

(12) **United States Design Patent**
Tonizzo

(10) **Patent No.:** **US D456,416 S**

(45) **Date of Patent:** **** Apr. 30, 2002**

(54) **KEYBOARD SUPPORT**

(75) Inventor: **Davide Tonizzo**, Toronto (CA)

(73) Assignee: **Inscape Corporation**, Holland Landing (CA)

(**) Term: **14 Years**

(21) Appl. No.: **29/144,601**

(22) Filed: **Jul. 9, 2001**

(30) **Foreign Application Priority Data**

Apr. 18, 2001 (CA) 2001-0991

(51) **LOC (7) Cl.** **14-02**

(52) **U.S. Cl.** **D14/457**

(58) **Field of Search** D14/460, 461,
D14/455-457; D18/12; 248/118, 118.1,
118.3, 118.5, 346.01, 917-924; 400/689-693,
715; D6/601; D19/86, 92, 95

(56) **References Cited**

U.S. PATENT DOCUMENTS

4,666,118 A	5/1987	Busche	
D357,910 S	* 5/1995	Newhouse D14/457
5,443,237 A	8/1995	Stadtmauer	
5,564,667 A	10/1996	Copeland et al.	
5,636,822 A	6/1997	Hendershot et al.	
5,730,408 A	3/1998	McAllister et al.	
5,771,814 A	6/1998	Clausen	

5,823,487 A	10/1998	Kirchhoff et al.	
5,832,840 A	11/1998	Woof	
5,848,773 A	12/1998	Bourassa	
D410,453 S	* 6/1999	Timm D14/457
5,995,082 A	11/1999	Lakoski	
6,003,446 A	12/1999	Leibowitz	
6,045,098 A	4/2000	Timm	
D439,910 S	* 4/2001	Tonizzo et al. D14/457
6,296,215 B1	* 10/2001	McCoy et al. 248/284.1

* cited by examiner

Primary Examiner—Kay H. Chin

(74) *Attorney, Agent, or Firm*—Riches, McKenzie & Herbert LLP

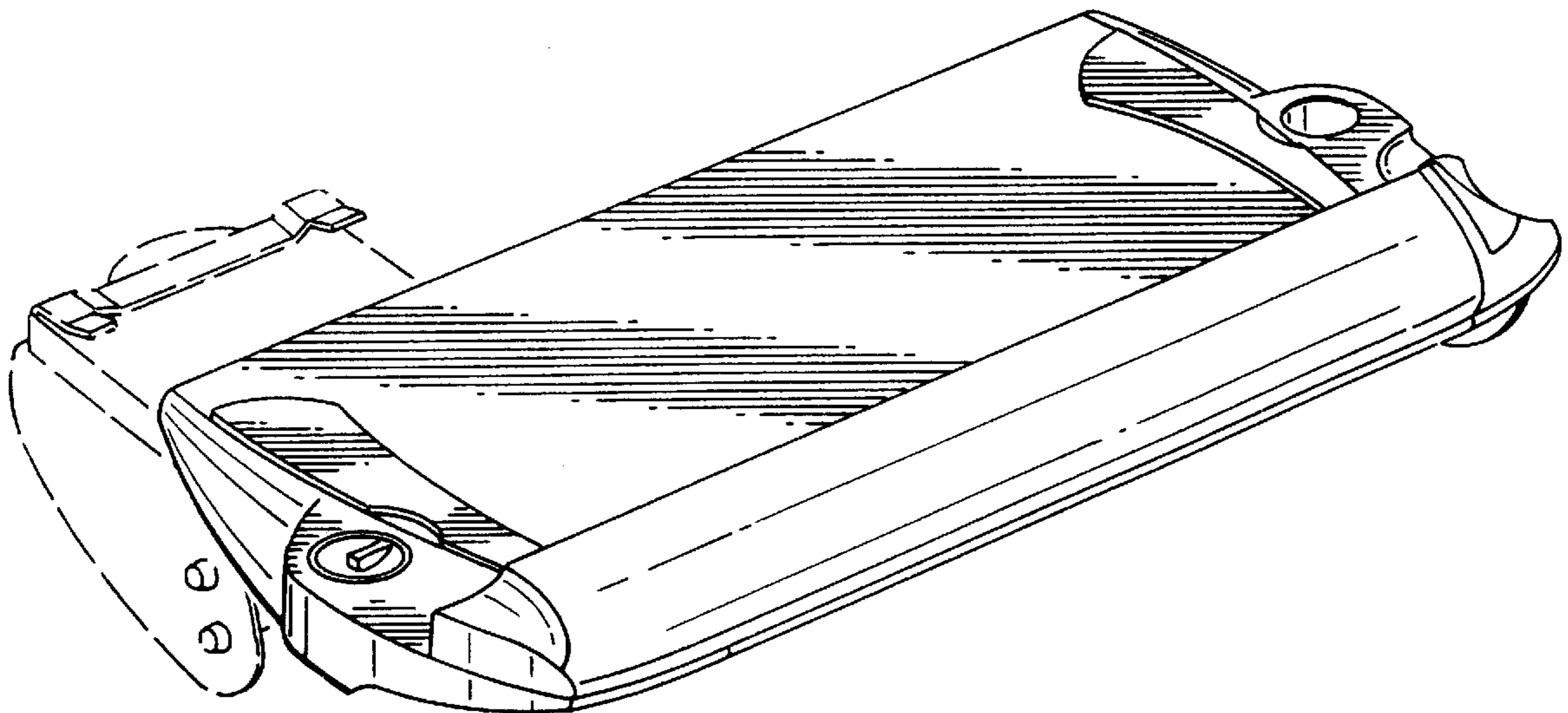
(57) **CLAIM**

I claim the ornamental design for a keyboard support, as shown and described.

DESCRIPTION

FIG. 1 is a perspective view of a keyboard support showing my new design, the broken lines are for illustrative purposes only and form no part of the claimed design; FIG. 2 is a top plan view thereof; FIG. 3 is a front elevation view thereof; FIG. 4 is a right side elevation view thereof; FIG. 5 is a rear elevation view thereof; FIG. 6 is a left side elevation view thereof; and, FIG. 7 is a bottom plan view thereof.

1 Claim, 4 Drawing Sheets



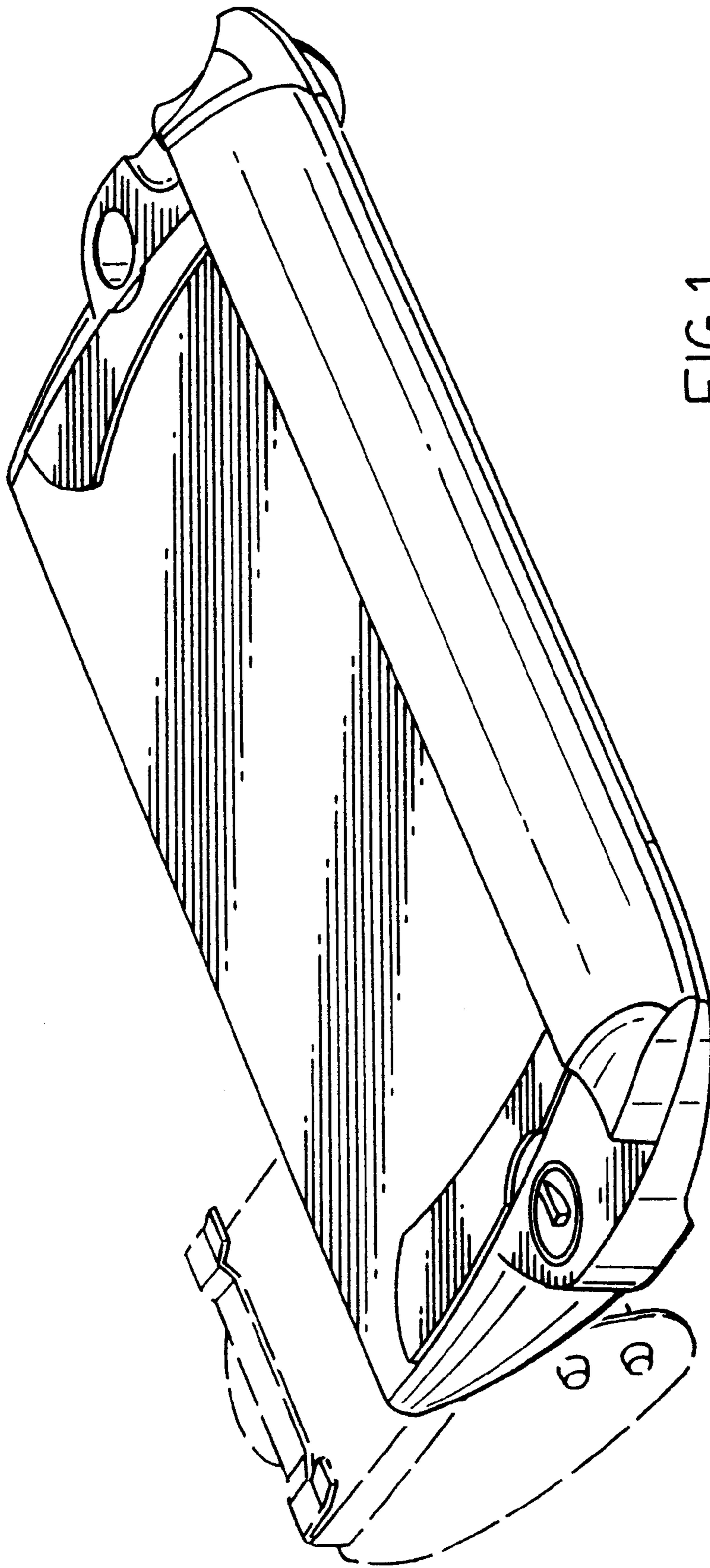


FIG. 1.

FIG. 2.

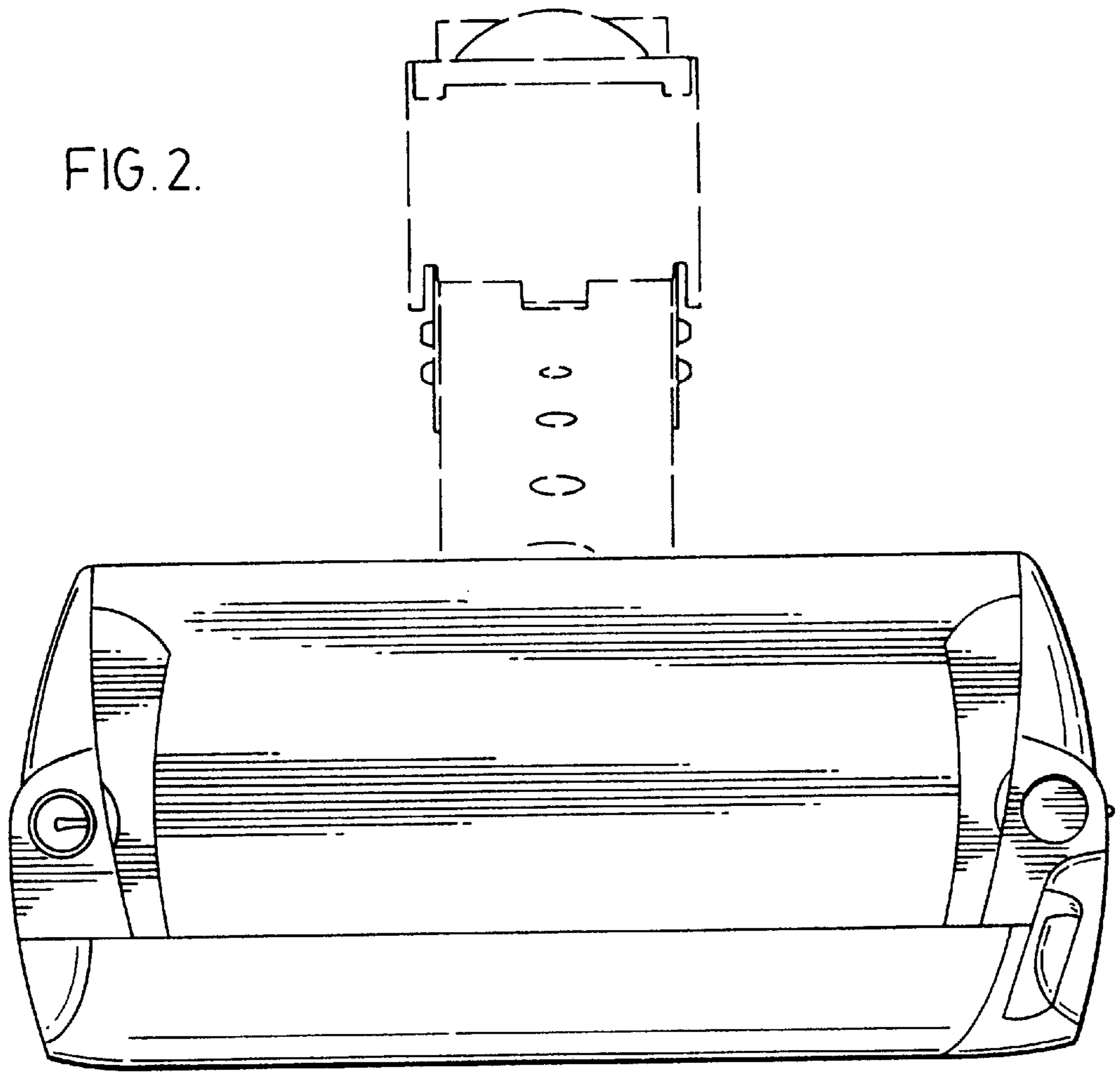
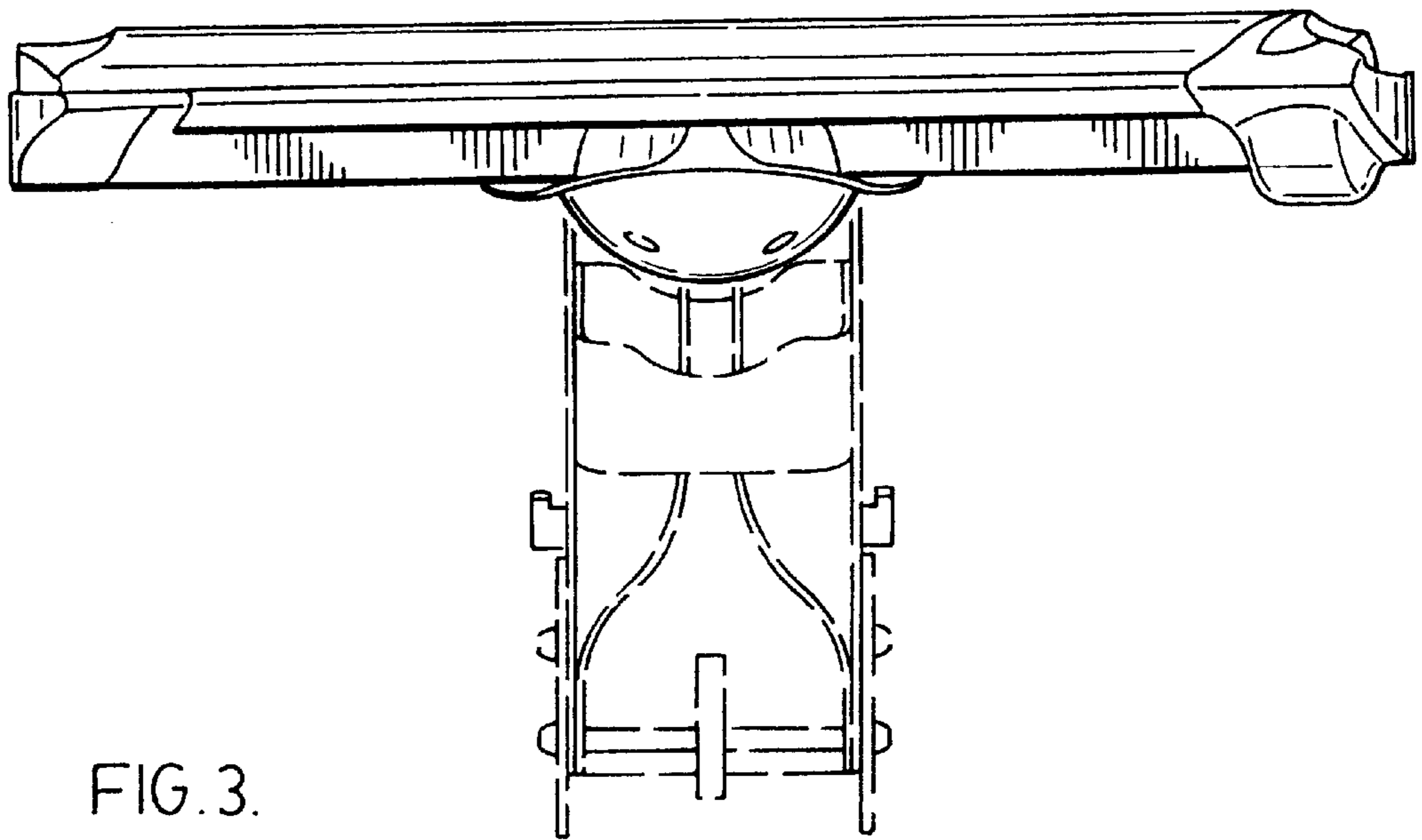


FIG. 3.



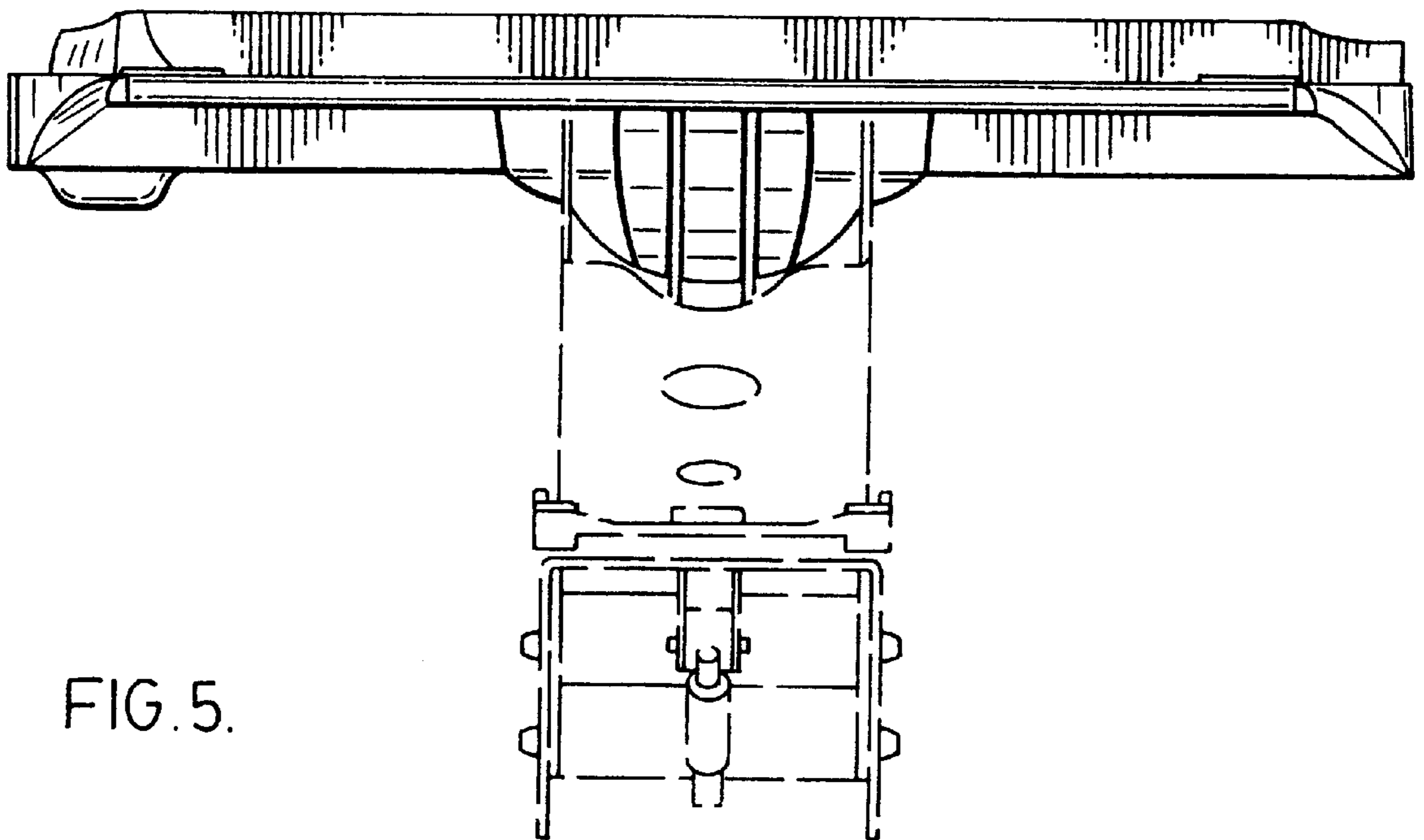
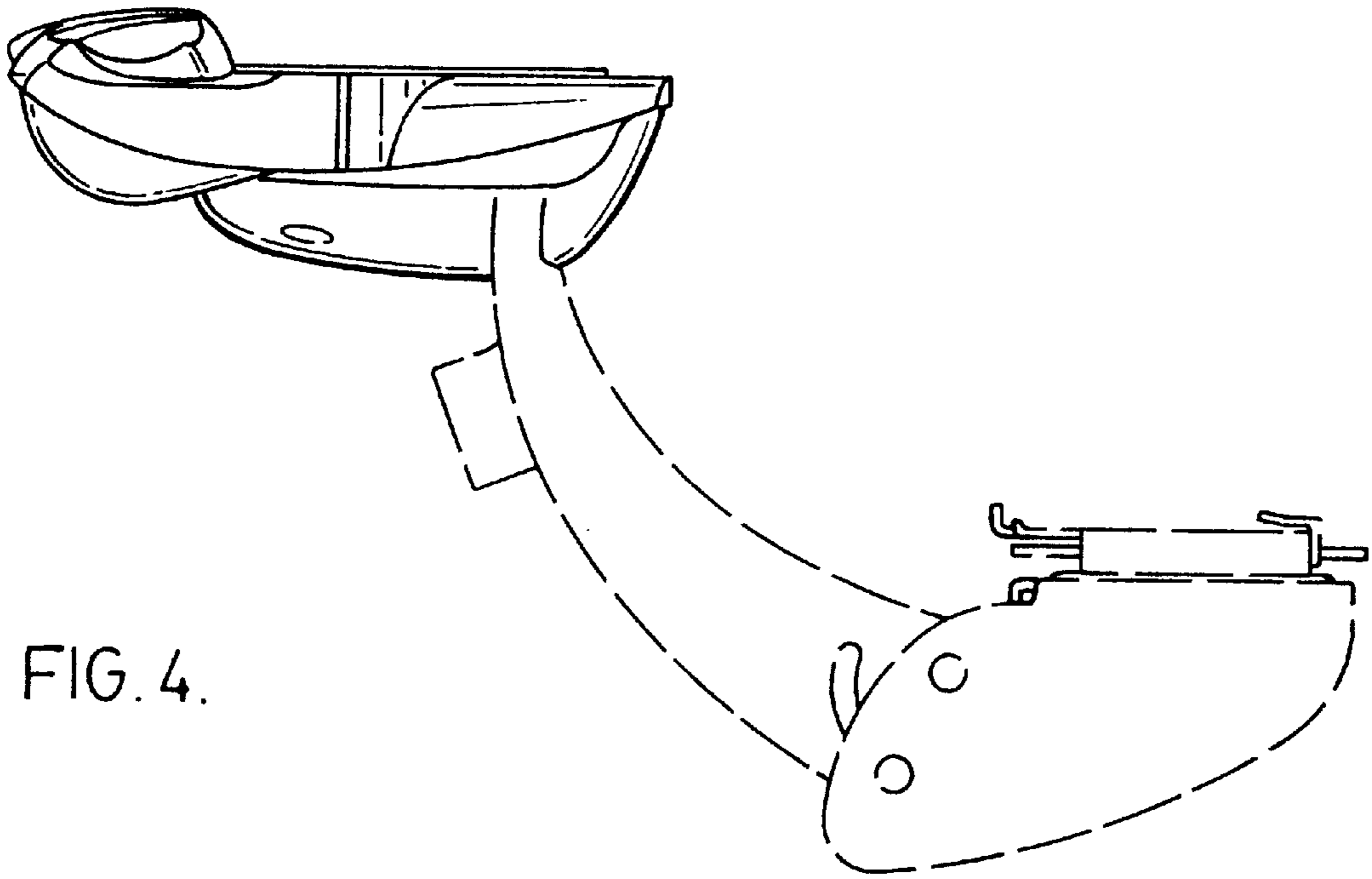


FIG. 6.

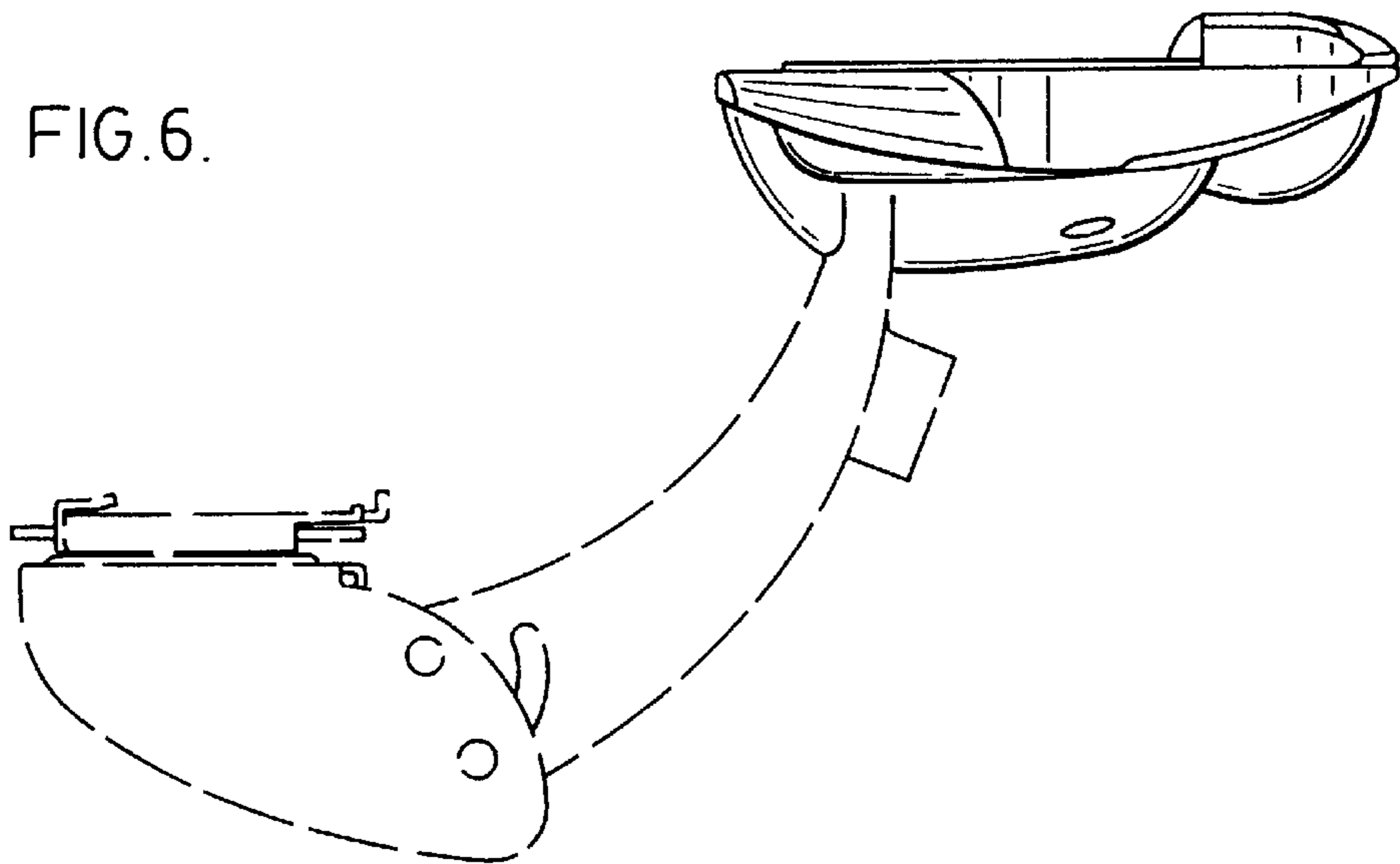


FIG. 7.

