



US00D456415S

(12) **United States Design Patent**
Deuschle

(10) **Patent No.:** **US D456,415 S**

(45) **Date of Patent:** **** Apr. 30, 2002**

(54) **REMOVABLE, ADJUSTABLE STAND FOR A SIGNATURE CAPTURE TERMINAL**

D372,492 S * 8/1996 Stanton
D394,172 S * 5/1998 Kubo et al.
D409,018 S * 5/1999 Deuschle

(76) **Inventor:** **Basil C. Deuschle**, 17885 Skypark Cir., Suite "B", Irvine, CA (US) 92614-6307

* cited by examiner

(**) **Term:** **14 Years**

Primary Examiner—Alan P. Douglas

(21) **Appl. No.:** **29/121,603**

(57) **CLAIM**

(22) **Filed:** **Apr. 11, 2000**

The ornamental design for a removable, adjustable stand for a signature capture terminal, as shown and described.

(51) **LOC (7) Cl.** **14-02**

DESCRIPTION

(52) **U.S. Cl.** **D14/447**

(58) **Field of Search** D14/432, 447, D14/451; D18/12, 4.4, 4.5, 4.6; 248/346.01, 346.02, 917-24; 361/686, 679-85; D13/184, 199; D6/449, 491, 445, 451-2, 512

FIG. 1: is a left side elevation view of a removable, adjustable stand for a signature capture terminal showing my design;

FIG. 2: is a front elevation view thereof;

FIG. 3: is a rear elevation view thereof;

FIG. 4: is a right side elevation view thereof; and,

FIG. 5: is a perspective view thereof, on an enlarged scale, the broken line showing the signature capture terminal is for illustrative purposes only and forms no part of the claimed design.

(56) **References Cited**

U.S. PATENT DOCUMENTS

D316,709 S * 5/1991 Howard et al.
D323,085 S * 1/1992 Konkel
D355,437 S * 2/1995 Reph
D358,144 S * 5/1995 Masaaki

1 Claim, 2 Drawing Sheets

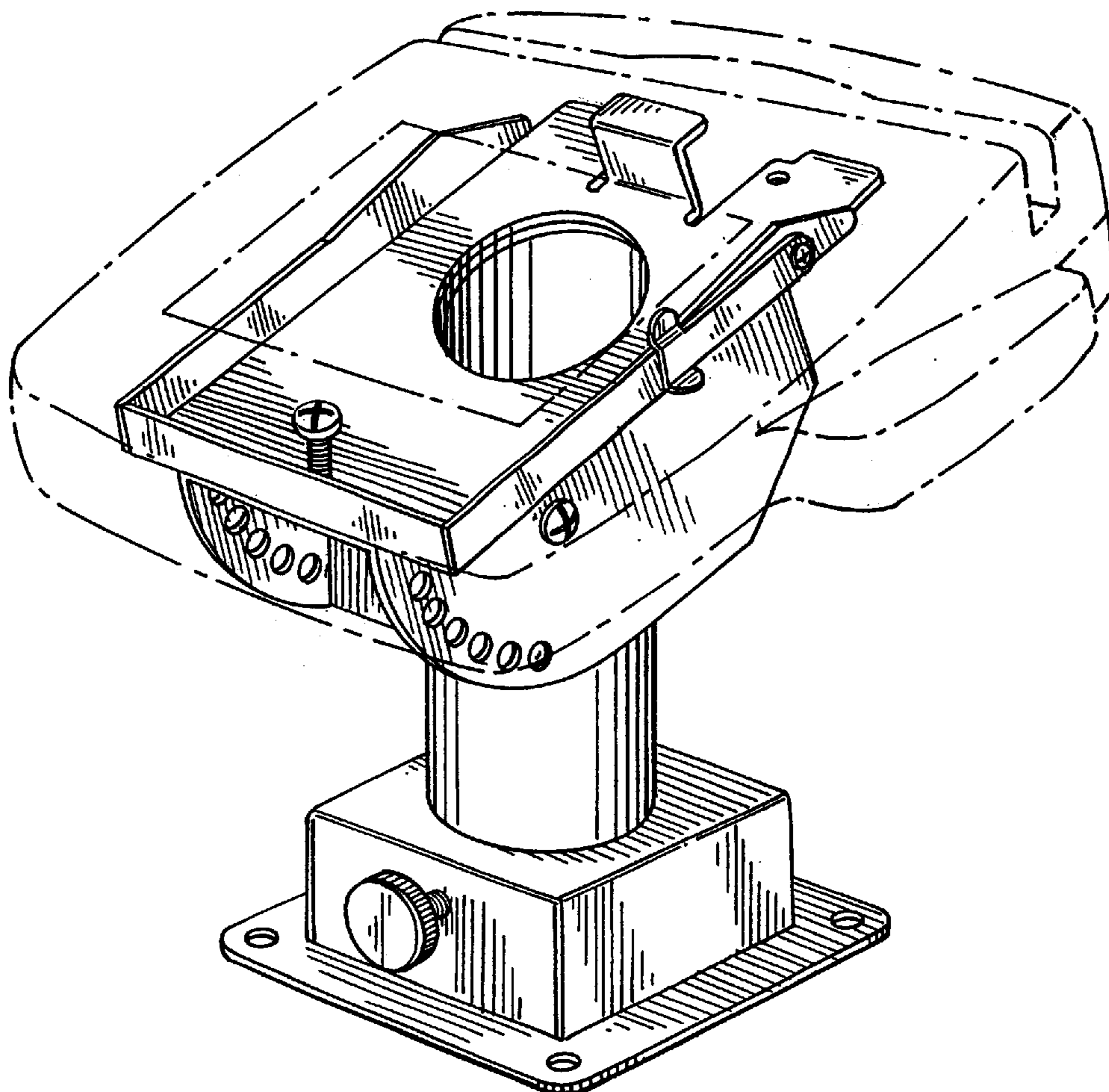


FIG 1

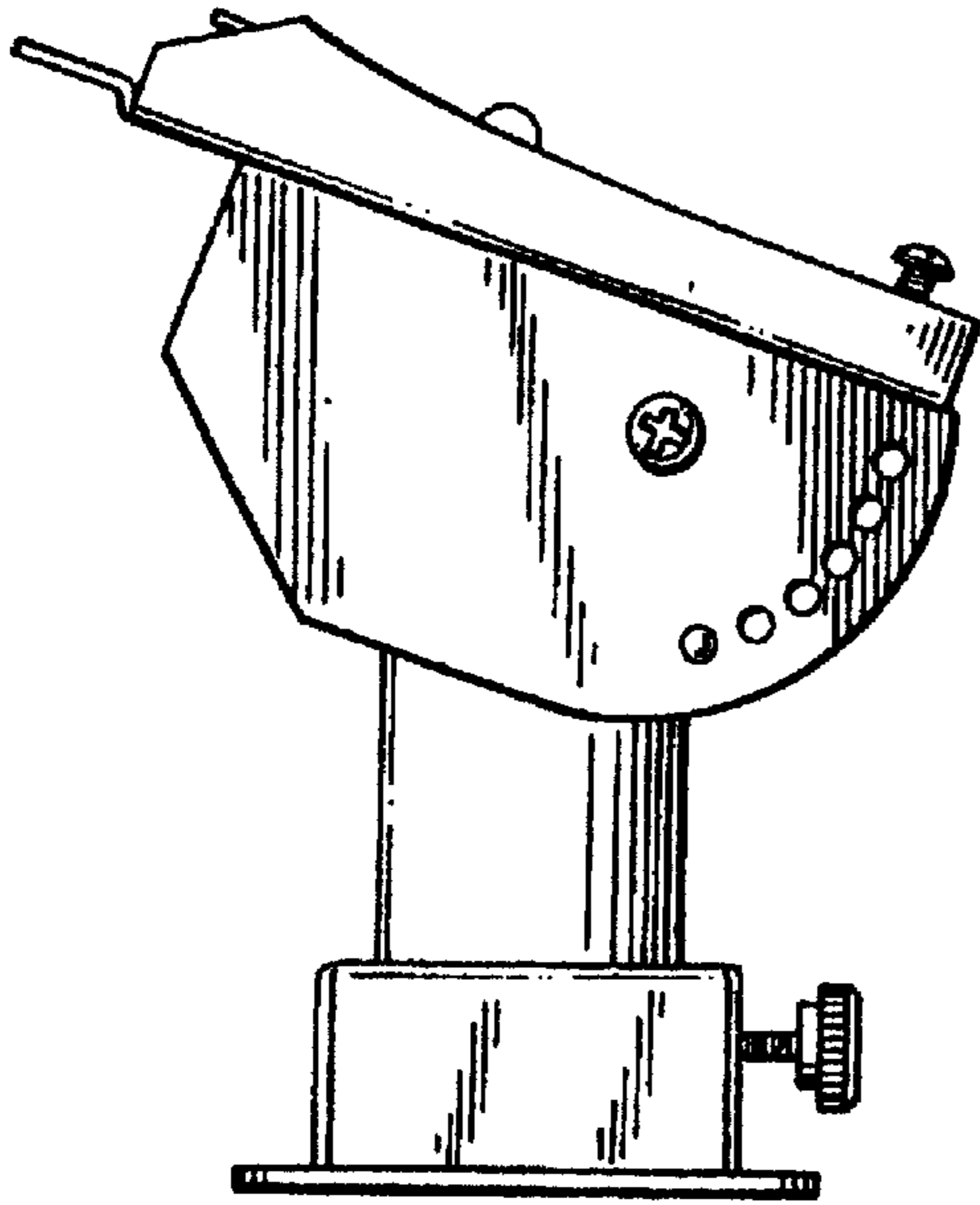


FIG 2

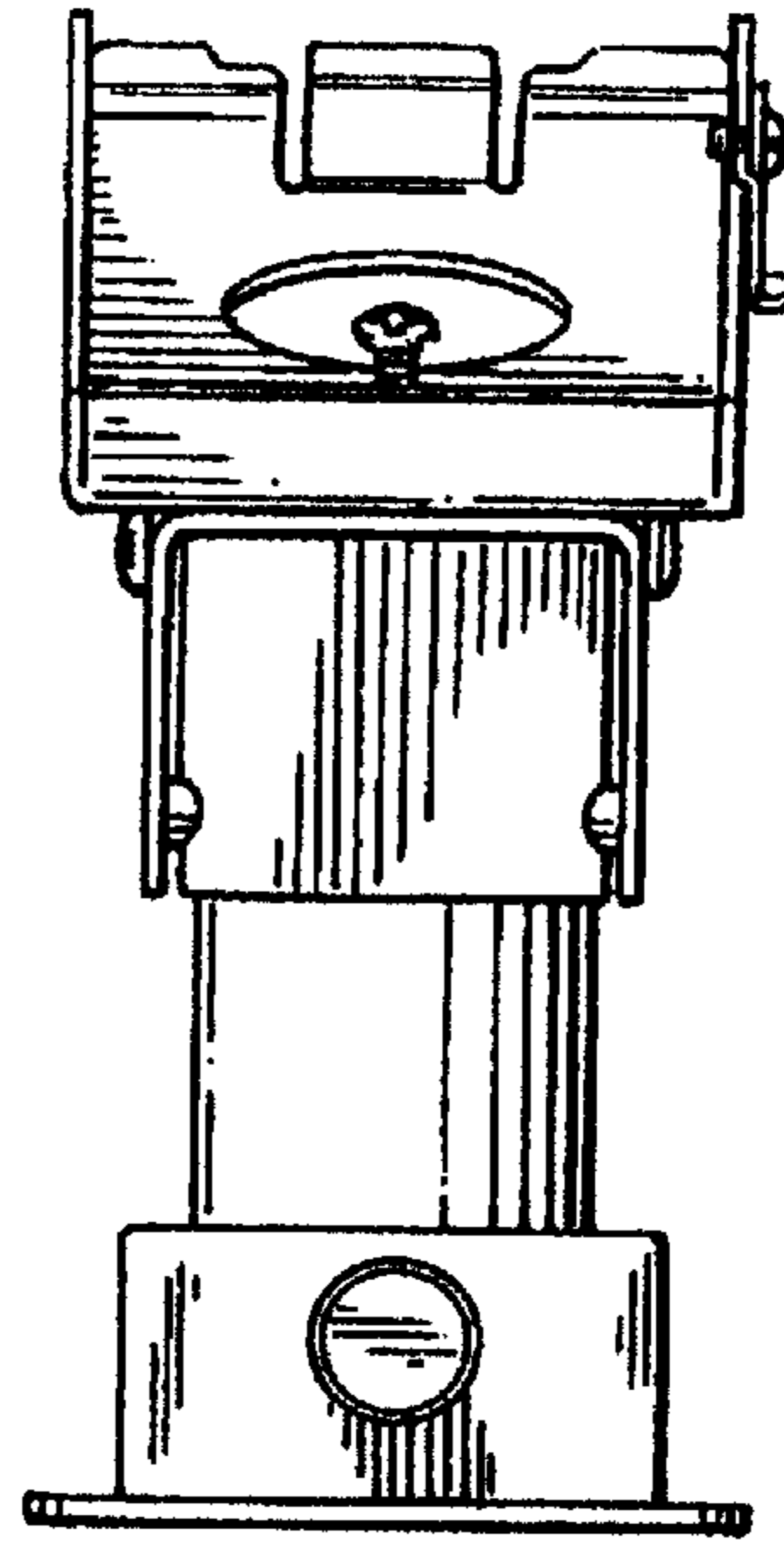


FIG 3

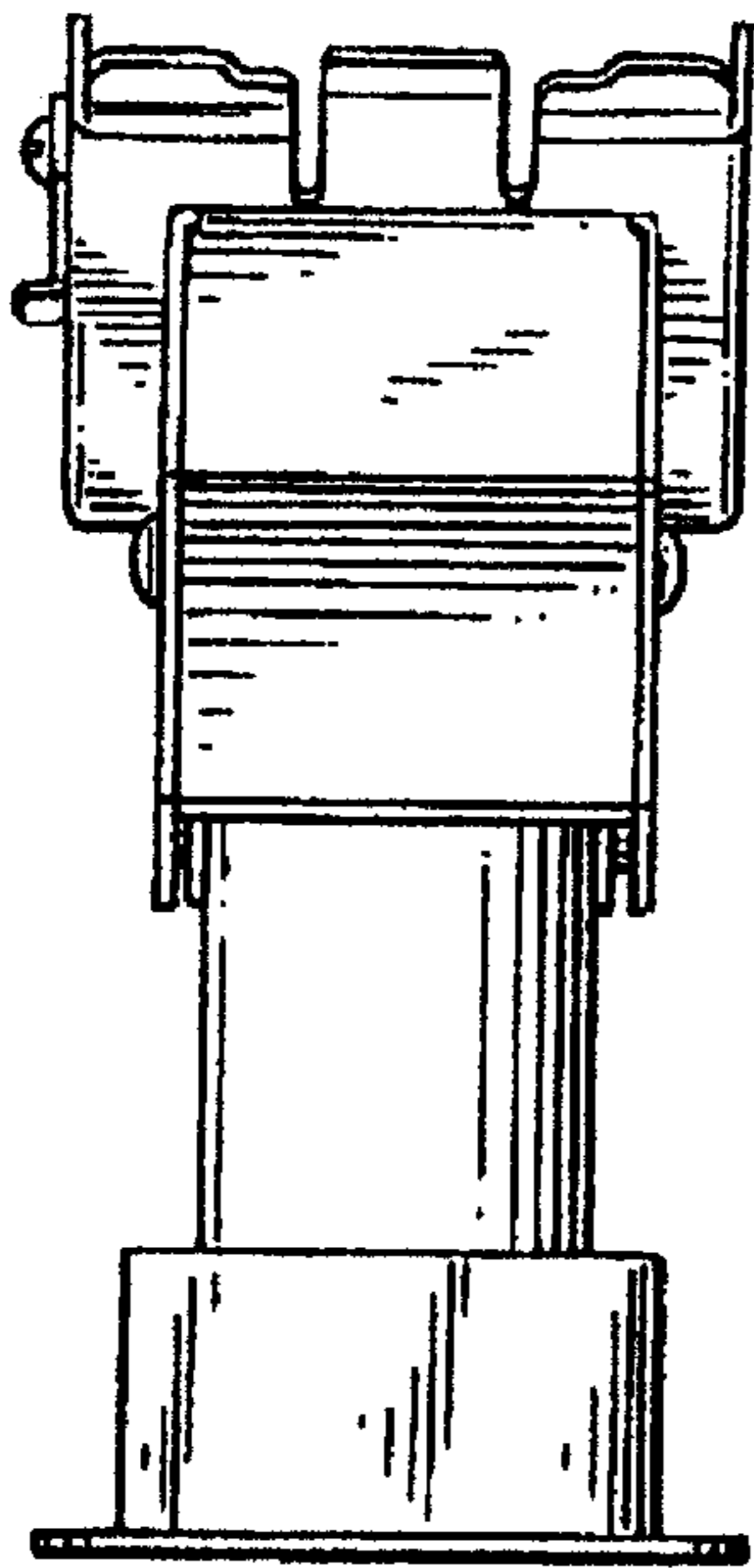


FIG 4

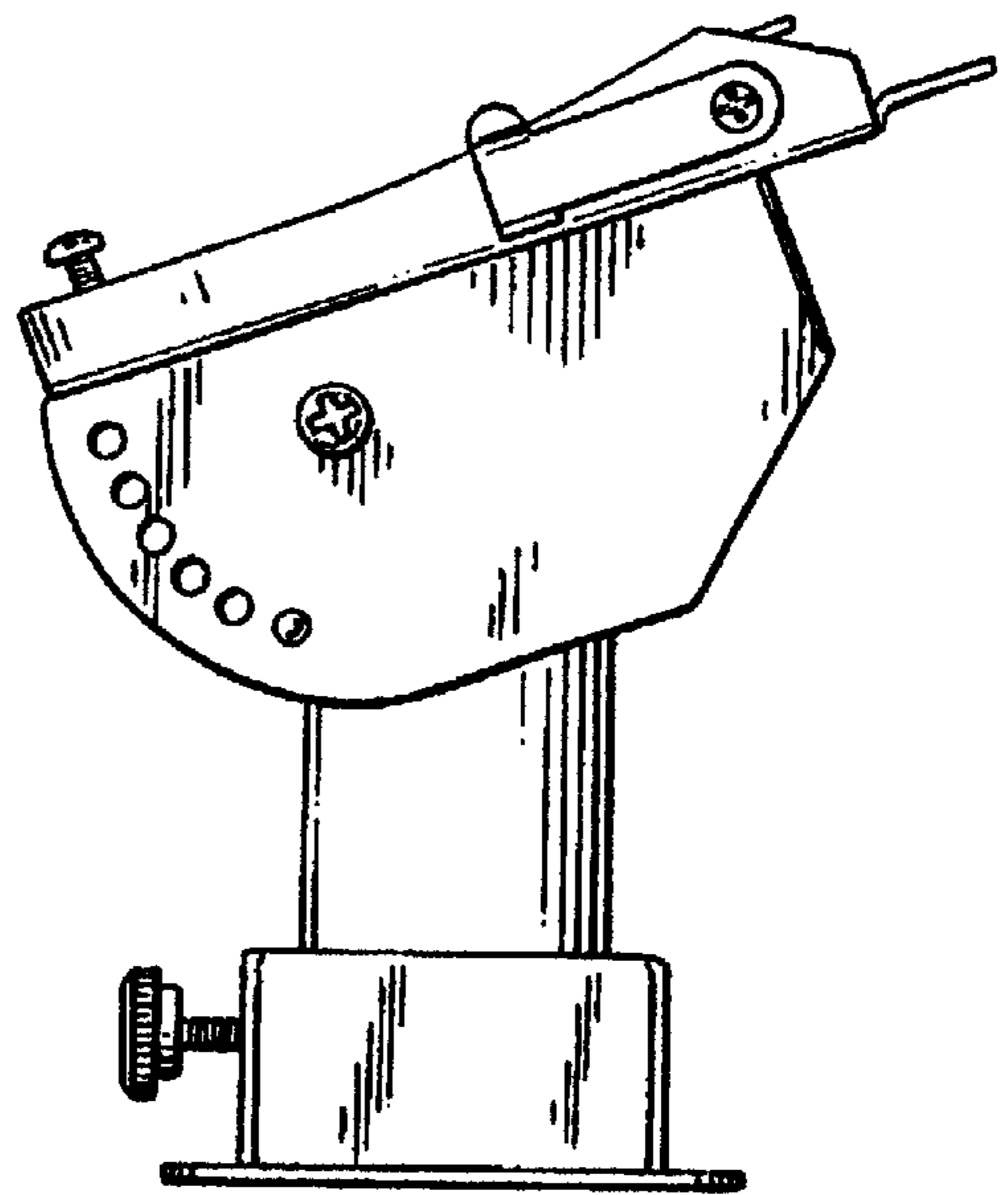


FIG. 5

