



US00D456411S

(12) **United States Design Patent**
Kourushi

(10) **Patent No.:** **US D456,411 S**

(45) **Date of Patent:** **** Apr. 30, 2002**

(54) **INPUT PEN**

(75) Inventor: **Nobuhiro Kourushi**, Hiratsuka (JP)

(73) Assignee: **Pilot Precision Kabushiki Kaisha**,
Kanagawa-Ken (JP)

(**) Term: **14 Years**

(21) Appl. No.: **29/144,372**

(22) Filed: **Jul. 2, 2001**

(30) **Foreign Application Priority Data**

Jan. 24, 2001 (JP) 2001-001279

(51) **LOC (7) Cl.** **14-02**

(52) **U.S. Cl.** **D14/411; D14/431**

(58) **Field of Search** D14/430, 431,
D14/411; D19/35, 36, 41-51, 53-58, 81-85;
401/34, 52, 195, 202, 98, 209, 262; 178/19.01-19.05;
345/179-183

(56) **References Cited**

U.S. PATENT DOCUMENTS

- D389,131 S * 1/1998 Nagaoka D14/431
- D400,579 S * 11/1998 Ham D16/36
- D431,598 S * 10/2000 Kim et al. D19/36
- D448,804 S * 10/2001 Izushima D19/51

* cited by examiner

Primary Examiner—Kay H. Chin

(74) *Attorney, Agent, or Firm*—Ladas & Parry

(57) **CLAIM**

I claim the ornamental design for input pen, as shown and described.

DESCRIPTION

FIG. 1: a perspective view of a input pen.

FIG. 2: a front elevational view thereof, the opposite side view is being a mirror image.

FIG. 3: a top plan view thereof.

FIG. 4: a bottom plan view thereof.

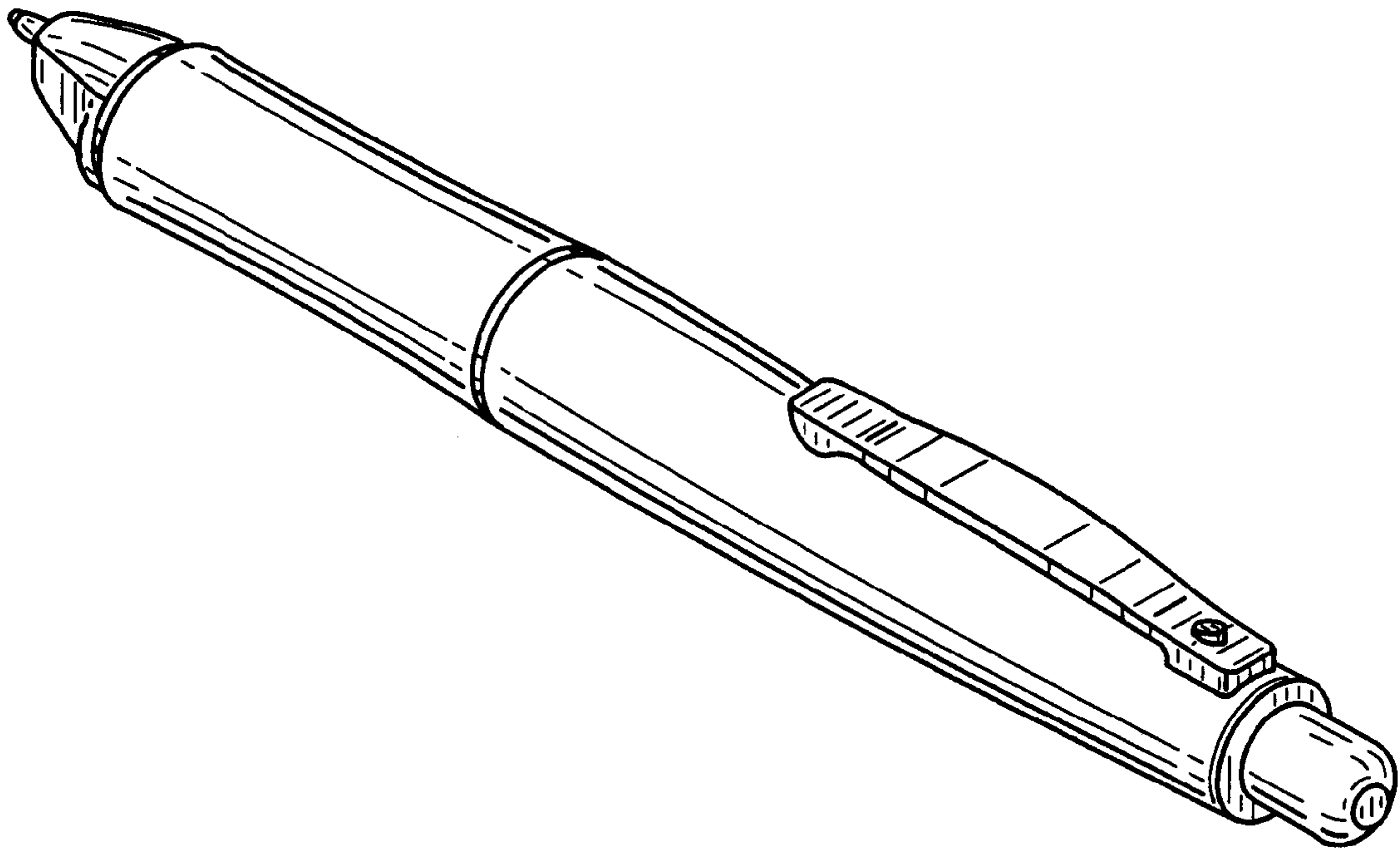
FIG. 5: a reference drawing showing a state of pulling in a ball-point pen.

FIG. 6: a left side elevational view thereof; and,

FIG. 7: a right side elevational view thereof.

The subject article is a writing instrument, which can also be used as an instrument to recognize, record and also transmit to a portable or personal computer, handwritten text or images via a digital camera provided on the end of the pen. A ball-point pen is provided in the end portion shown on the left in the front view, and the round shape depicted at the bottom of the left side view is a digital camera.

1 Claim, 1 Drawing Sheet



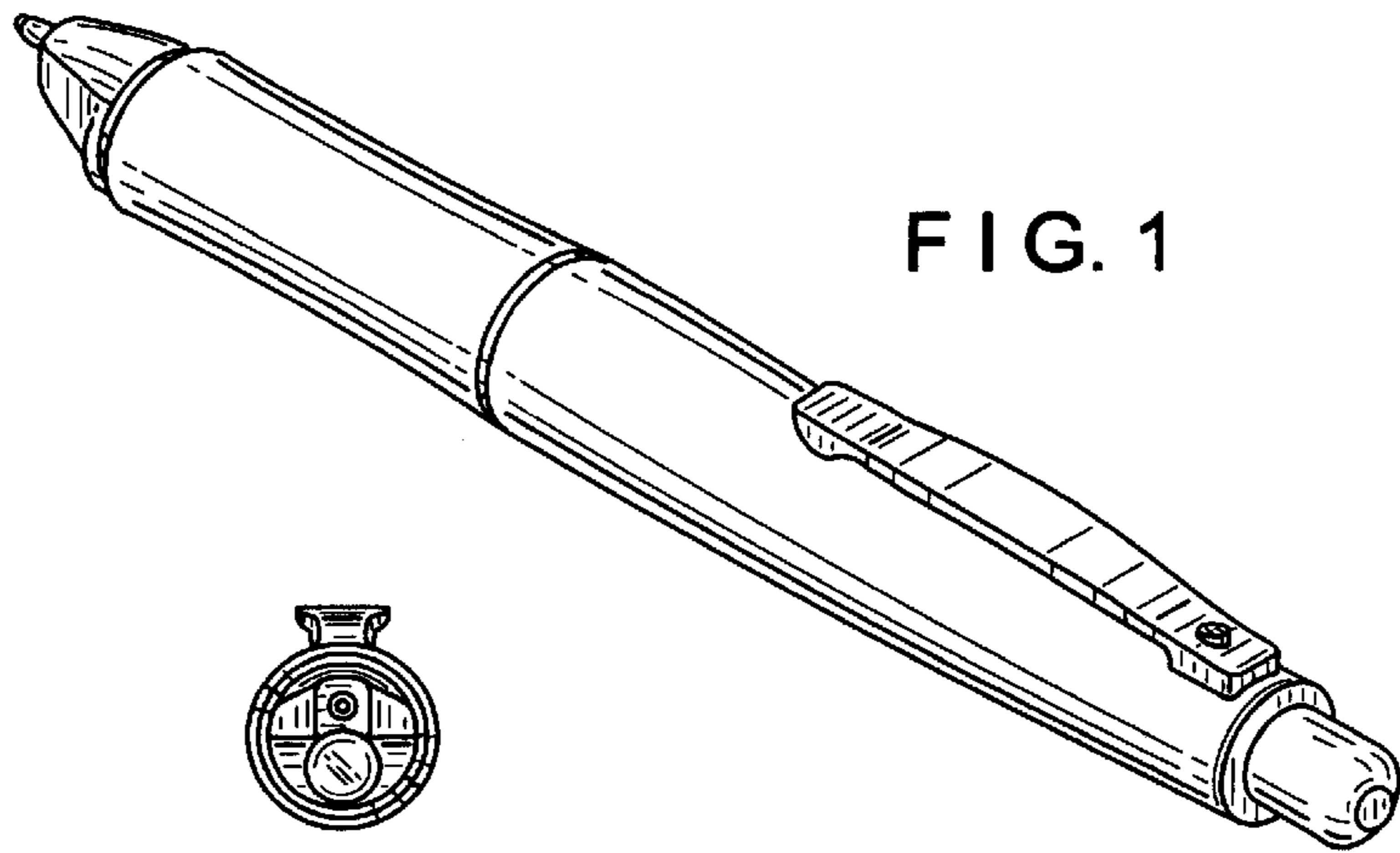


FIG. 1

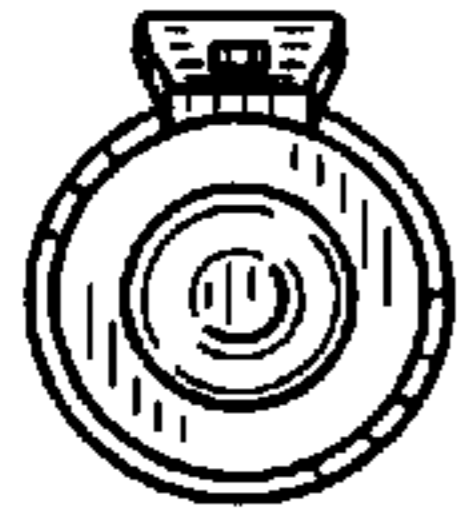


FIG. 6

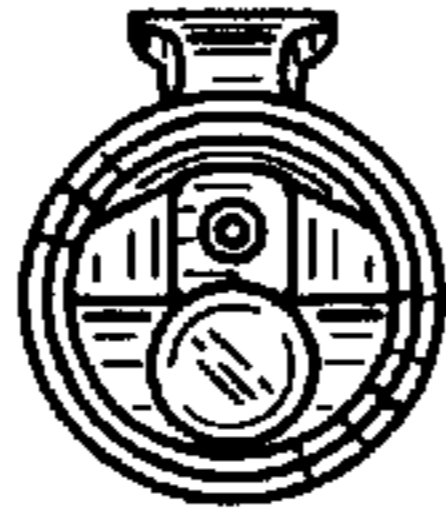


FIG. 7

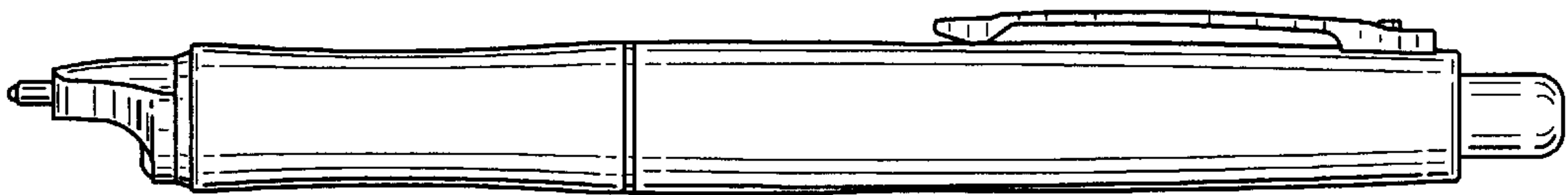


FIG. 2

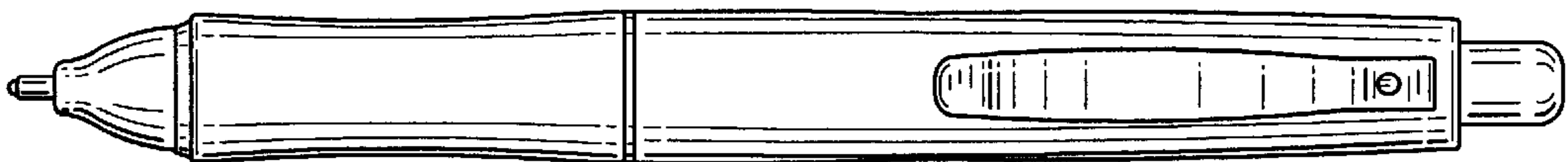


FIG. 3

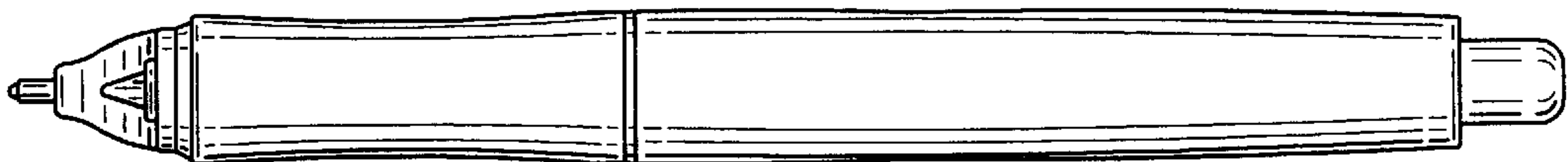


FIG. 4

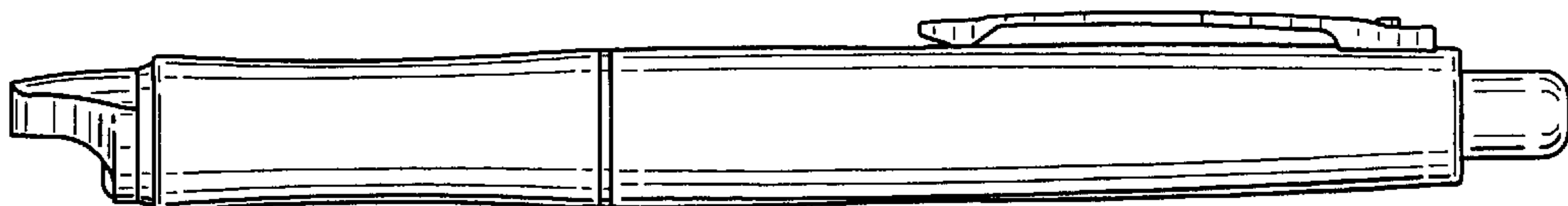


FIG. 5