



US00D456410S

(12) **United States Design Patent**  
**Ashida**

(10) **Patent No.:** **US D456,410 S**  
(45) **Date of Patent:** **\*\* Apr. 30, 2002**

(54) **CONTROLLER FOR ELECTRONIC GAME MACHINE**

(75) Inventor: **Kenichiro Ashida, Kyoto (JP)**

(73) Assignee: **Nintendo Co., Ltd. (JP)**

(\*\*) Term: **14 Years**

(21) Appl. No.: **29/136,652**

(22) Filed: **Feb. 6, 2001**

(30) **Foreign Application Priority Data**

Aug. 11, 2000	(JP)	.....	2000-022425
Aug. 11, 2000	(JP)	.....	2000-022427
Aug. 11, 2000	(JP)	.....	2000-022428
Aug. 11, 2000	(JP)	.....	2000-022429
Aug. 11, 2000	(JP)	.....	2000-022430
Aug. 11, 2000	(JP)	.....	2000-022431
Aug. 11, 2000	(JP)	.....	2000-022432
Aug. 11, 2000	(JP)	.....	2000-022433

(51) **LOC (7) Cl.** ..... **14-02**

(52) **U.S. Cl.** ..... **D14/401**

(58) **Field of Search** ..... D14/400, 401,  
D14/412-416, 432; D21/324, 333; 273/148 B;  
463/1, 29-38, 46, 47; 345/156, 168, 169,  
161, 162

(56) **References Cited**

**U.S. PATENT DOCUMENTS**

D375,326 S 11/1996 Yokoi et al.

D397,162 S	8/1998	Yokoi et al.	
D415,752 S	* 10/1999	Tyler et al.	..... D14/401
D417,664 S	* 12/1999	Goto	..... D14/401
6,001,014 A	* 12/1999	Ogata et al.	..... 463/37
6,001,015 A	* 12/1999	Nishiumi et al.	..... 463/38
D424,047 S	* 5/2000	Chan	..... D14/401
6,171,191 B1	* 1/2001	Ogata et al.	..... 273/148 B
6,231,444 B1	* 5/2001	Goto et al.	..... 273/148 B

\* cited by examiner

*Primary Examiner*—Prabhakar Deshmukh  
(74) *Attorney, Agent, or Firm*—Nixon & Vanderhye P.C.

(57) **CLAIM**

The ornamental design for a controller for electronic game machine, as shown and described.

**DESCRIPTION**

FIG. 1 is a front elevational view of a controller for an electronic game machine showing my new design;

FIG. 2 is a rear elevational view thereof;

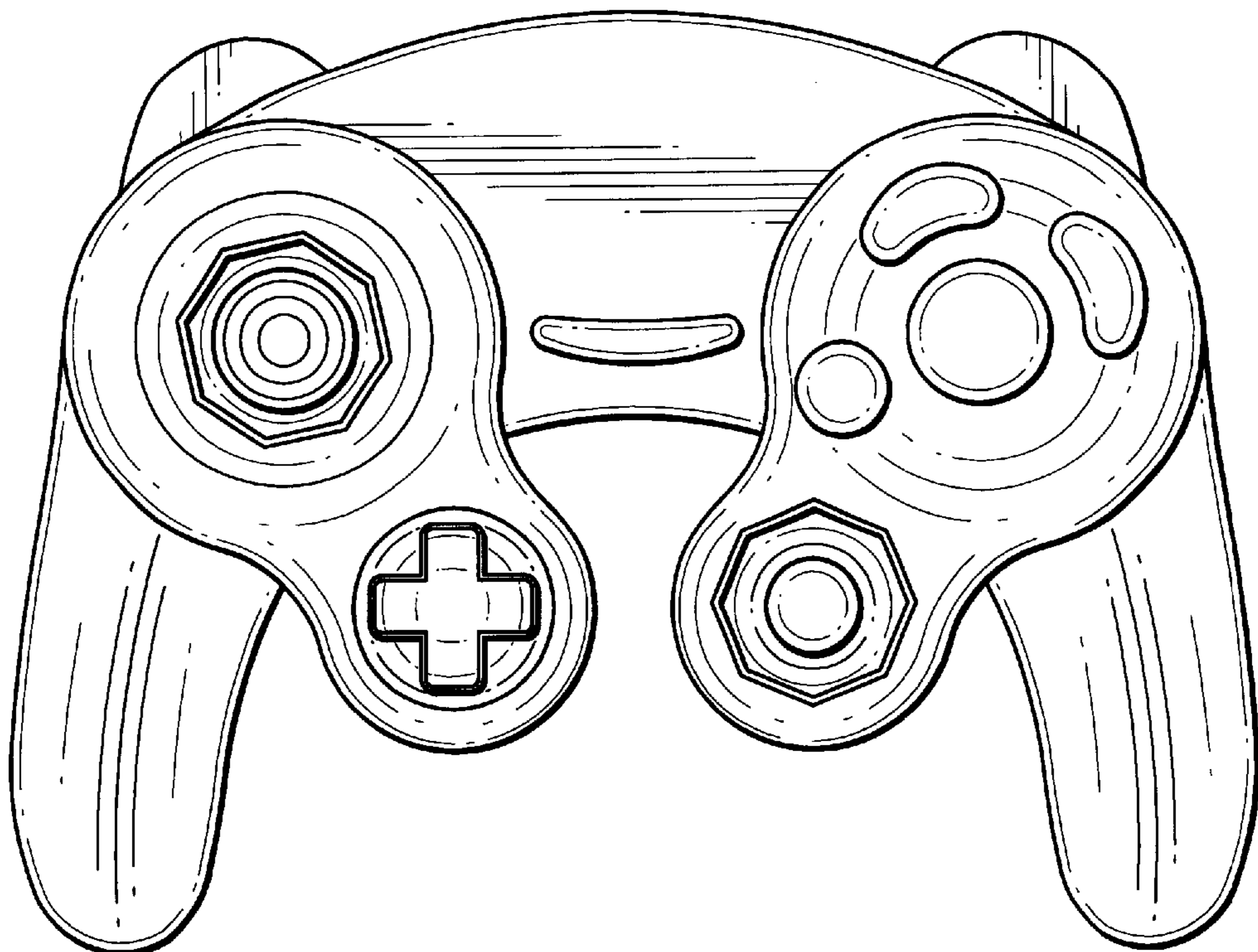
FIG. 3 is a top plan view thereof;

FIG. 4 is a bottom plan view thereof;

FIG. 5 is a left side view thereof; and,

FIG. 6 is a right side view thereof.

**1 Claim, 2 Drawing Sheets**



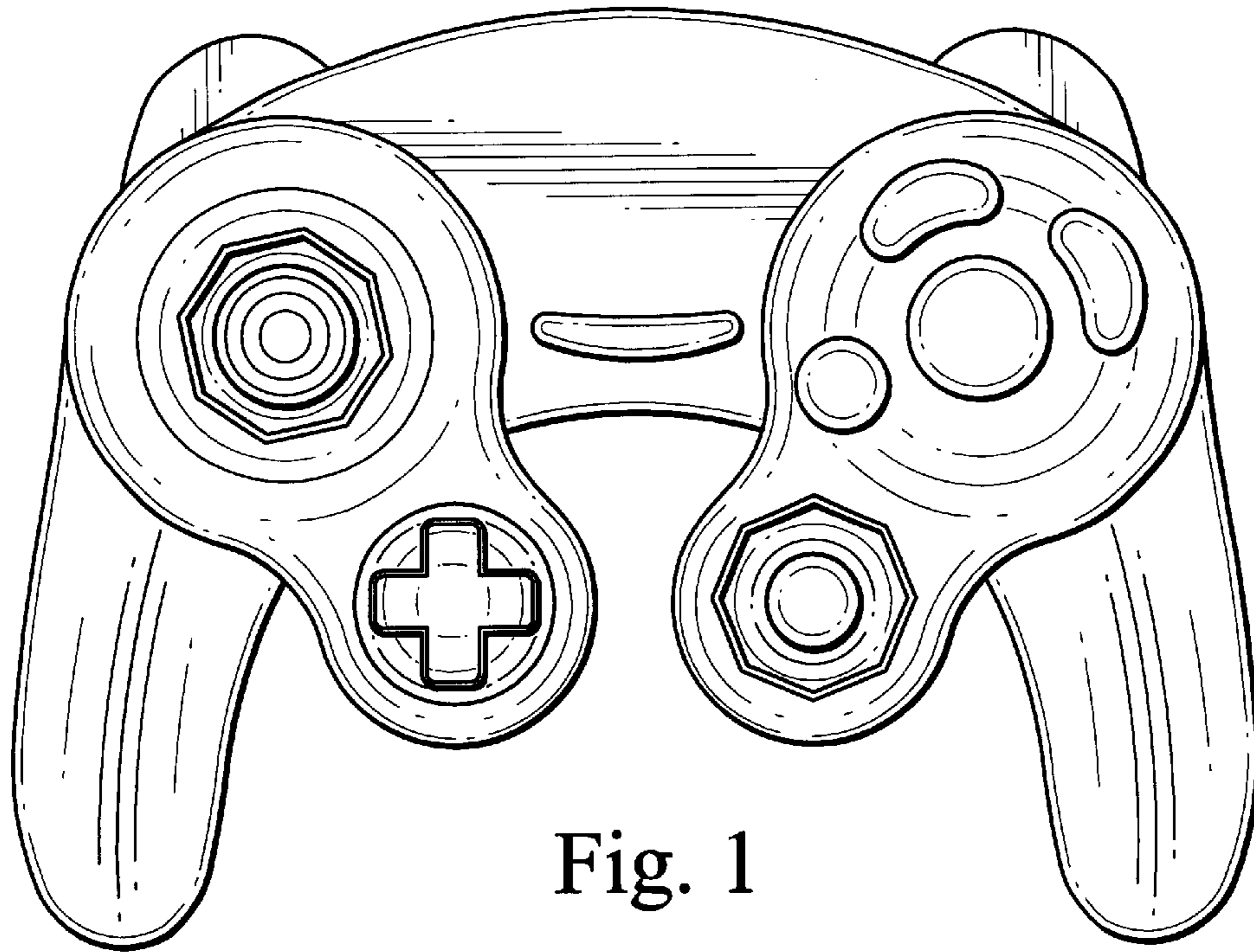


Fig. 1

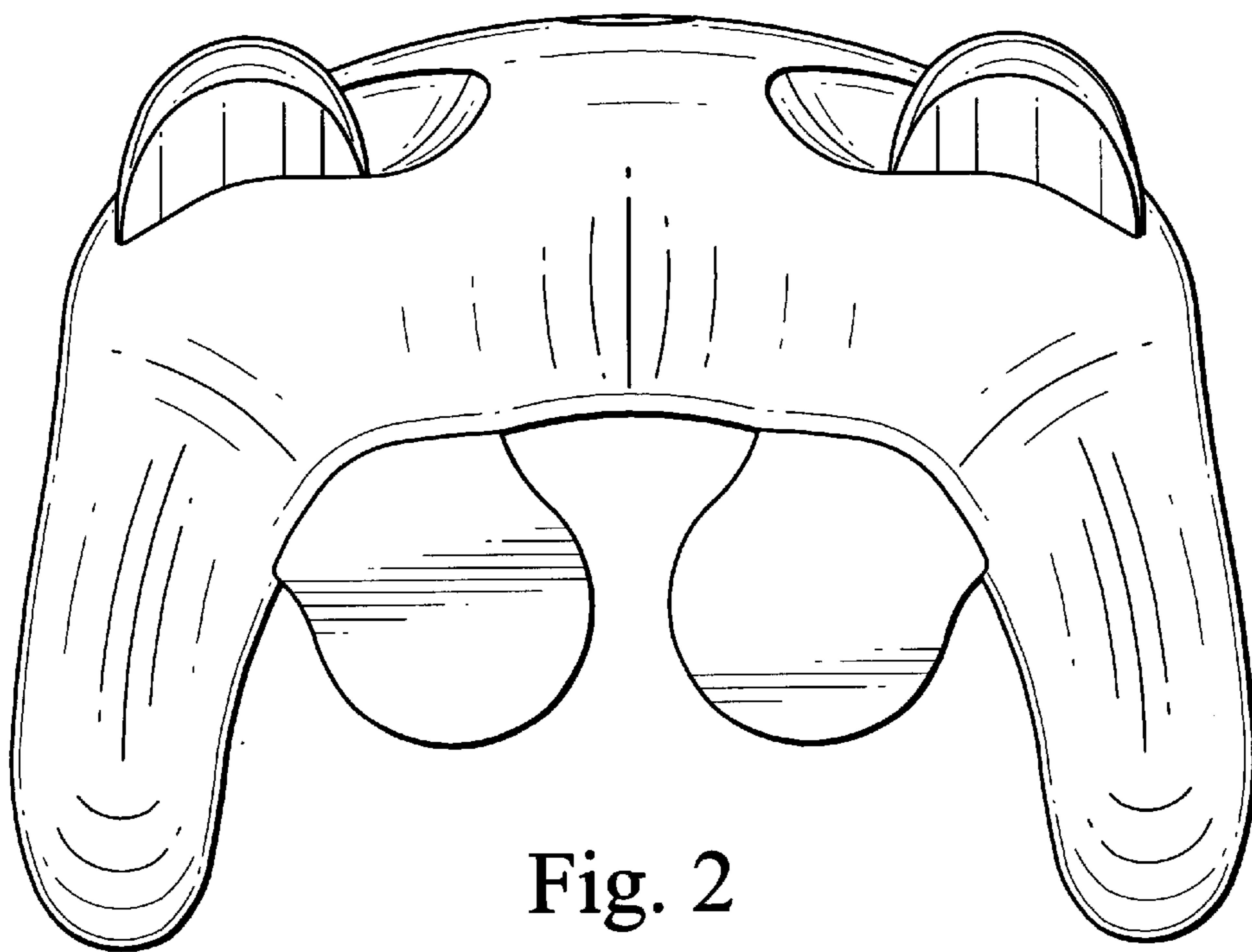


Fig. 2

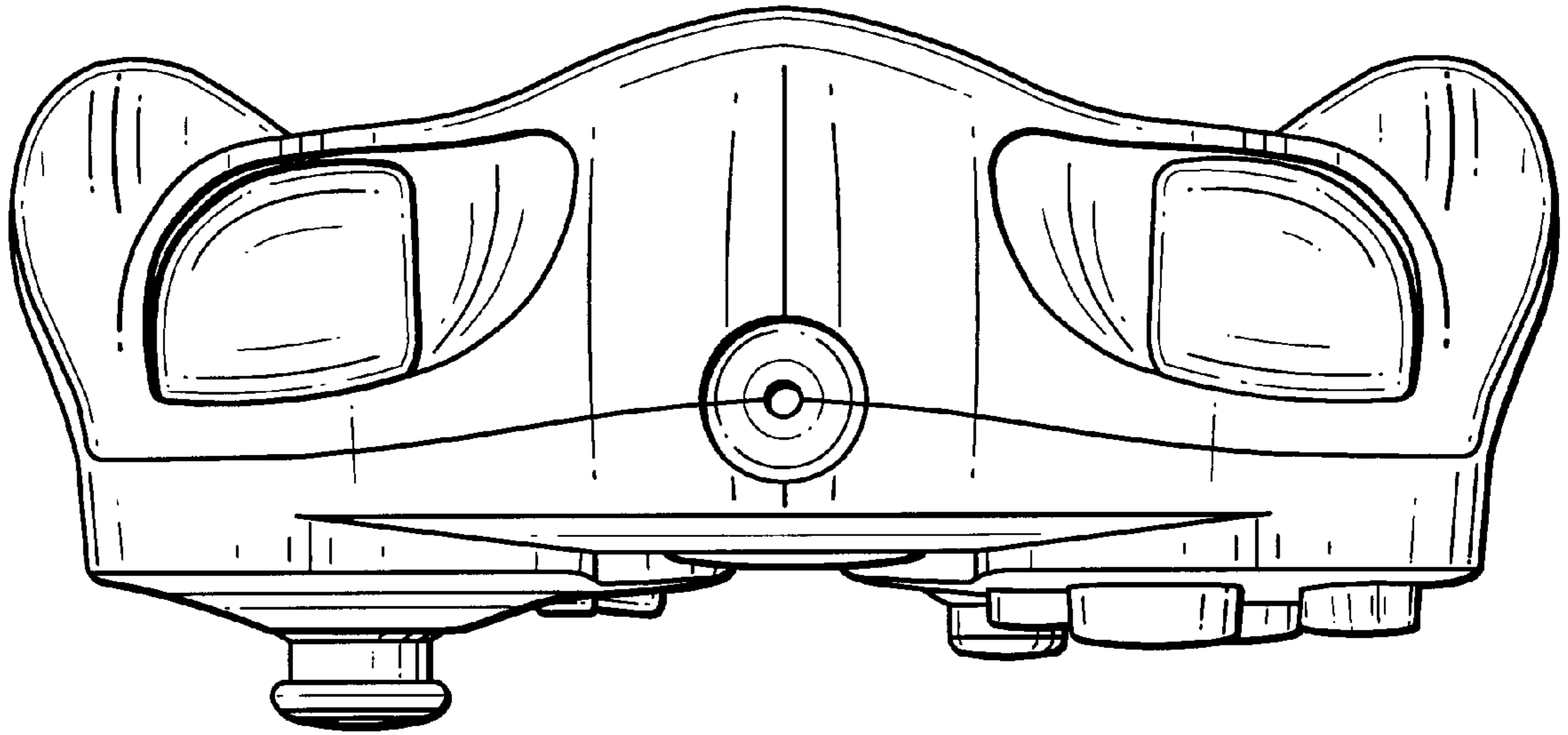


Fig. 3

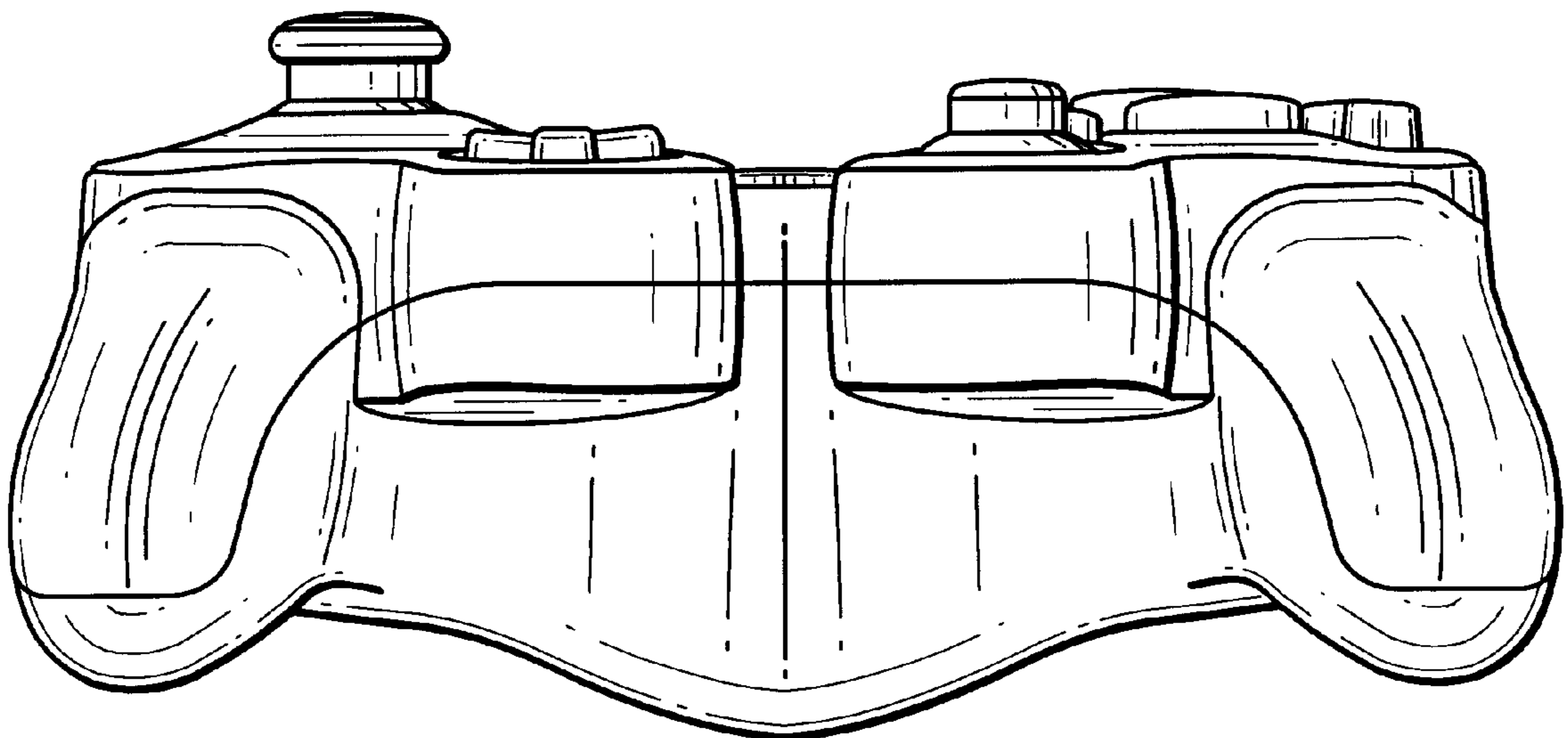


Fig. 4