



US00D456395S

(12) **United States Design Patent**  
**Lehtovaara**

(10) **Patent No.:** **US D456,395 S**

(45) **Date of Patent:** **\*\* Apr. 30, 2002**

(54) **CAR HOLDER FOR TELEPHONE HANDSET**

(75) Inventor: **Sami Lehtovaara**, Turku (FI)

(73) Assignee: **Nokia Mobile Phones Ltd.**, Espoo (FI)

(\*\*) Term: **14 Years**

(21) Appl. No.: **29/134,305**

(22) Filed: **Dec. 18, 2000**

(30) **Foreign Application Priority Data**

Jun. 19, 2000 (FI) ..... M20000438

(51) **LOC (7) Cl.** ..... **14-03**

(52) **U.S. Cl.** ..... **D14/253**

(58) **Field of Search** ..... D14/137, 434,  
D14/138, 447, 148, 147, 149-151, 140-142,  
240, 241, 251, 253, 451; 379/426, 449,  
419, 420.04, 428.01, 440, 454, 455, 446;  
455/550-575, 90; D13/107, 108; 320/110,  
113, 114, 115; D3/218

(56) **References Cited**

**U.S. PATENT DOCUMENTS**

4,299,344 A \* 11/1981 Yamashita et al. .... 224/242  
4,472,606 A \* 9/1984 Krolopp et al. .... 379/455  
4,797,916 A \* 1/1989 Kojima ..... 379/454  
5,040,712 A \* 8/1991 Pesonen et al. .... 224/547  
D350,545 S \* 9/1994 Olkkola et al. .... D14/253  
D356,798 S \* 3/1995 Rudkiewicz et al. .... D14/253  
D361,335 S \* 8/1995 Rudkiewicz et al. .... D14/253  
D367,065 S \* 2/1996 Wu ..... D14/253

5,555,302 A \* 9/1996 Wang ..... 379/446  
D392,646 S \* 3/1998 Takayasu et al. .... D14/253  
5,825,874 A \* 10/1998 Humphreys et al. .... 379/446  
5,898,775 A \* 4/1999 Niemo et al. .... 379/446  
6,256,387 B1 \* 7/2001 Wang ..... 379/446

**FOREIGN PATENT DOCUMENTS**

JP 05344041 \* 3/1998

**OTHER PUBLICATIONS**

Retailer's Guide, Nokia Accessories For Europe & Africa, 3rd Edition. published 1998, p. 11, product MBC-1.

\* cited by examiner

*Primary Examiner*—Jeffrey Asch

(74) *Attorney, Agent, or Firm*—Steven A. Shaw

(57) **CLAIM**

The ornamental design for a car holder for telephone handset, as shown.

**DESCRIPTION**

FIG. 1 is a front view of the car holder for a telephone handset;

FIG. 2 is a rear view thereof;

FIG. 3 is a left side view thereof;

FIG. 4 is a right side view thereof;

FIG. 5 is a top plan view thereof;

FIG. 6 is a bottom plan view thereof;

FIG. 7 is a rear perspective view thereof; and,

FIG. 8 is a perspective front view thereof.

**1 Claim, 3 Drawing Sheets**

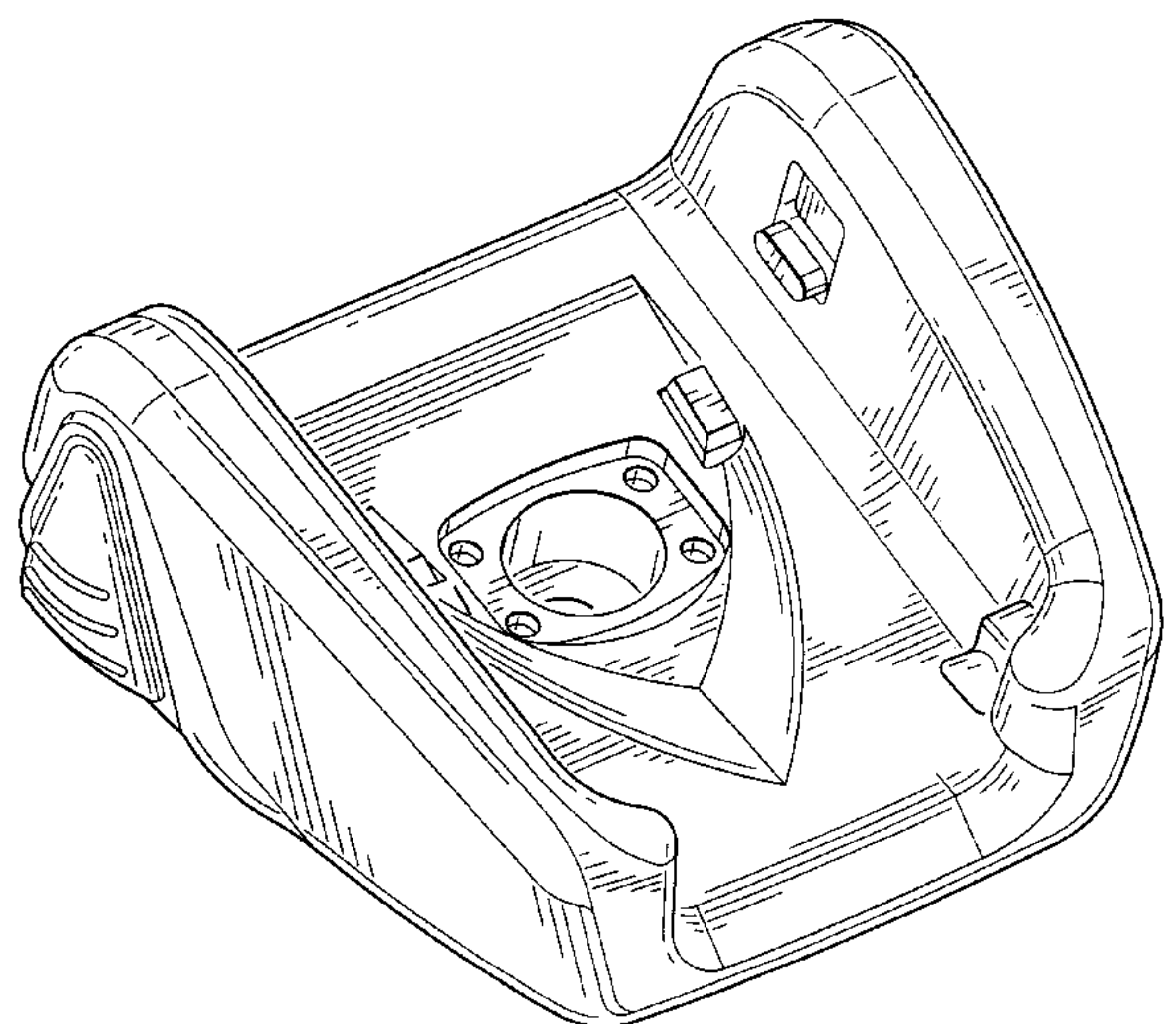
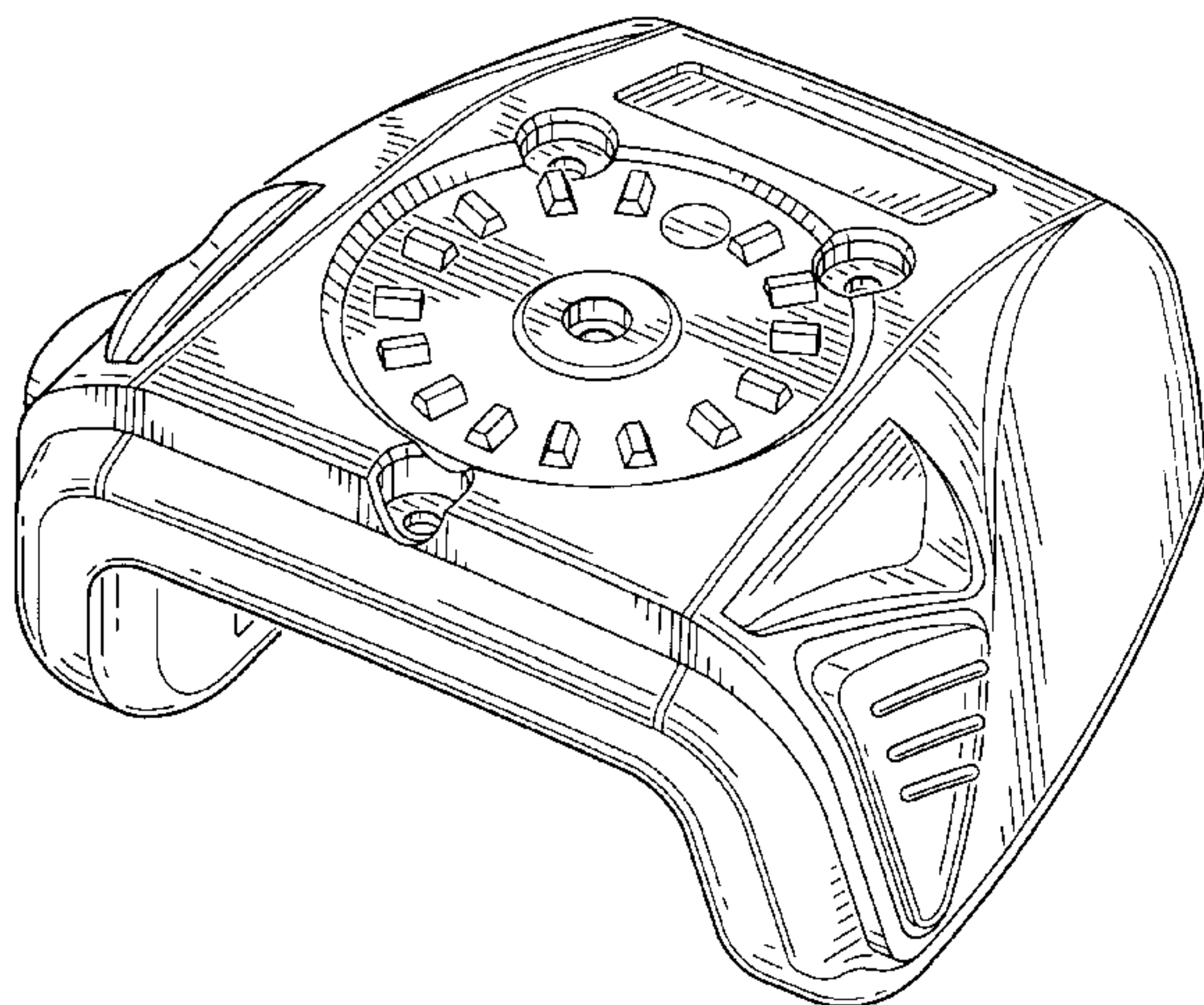


FIG. 1

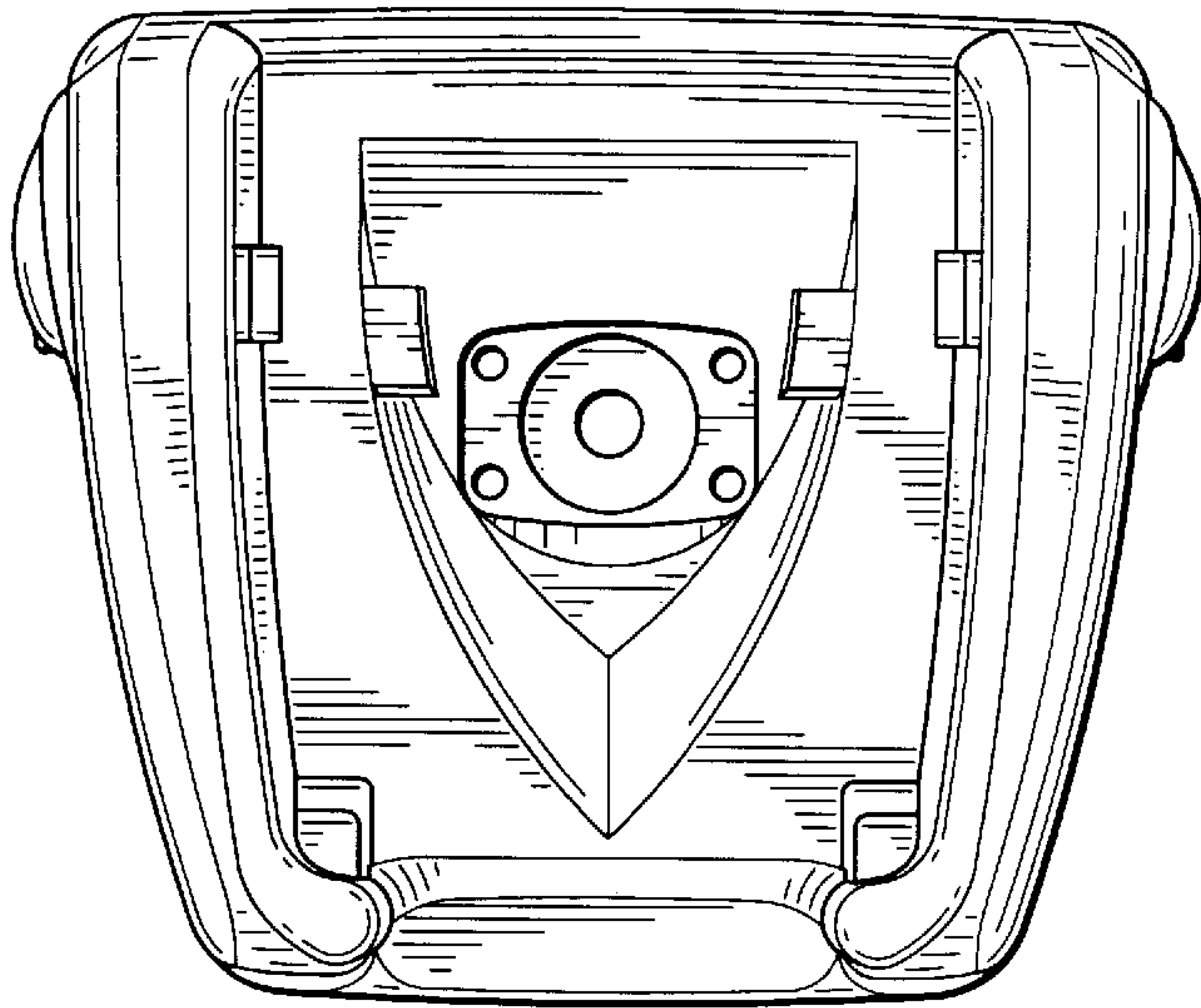


FIG. 3

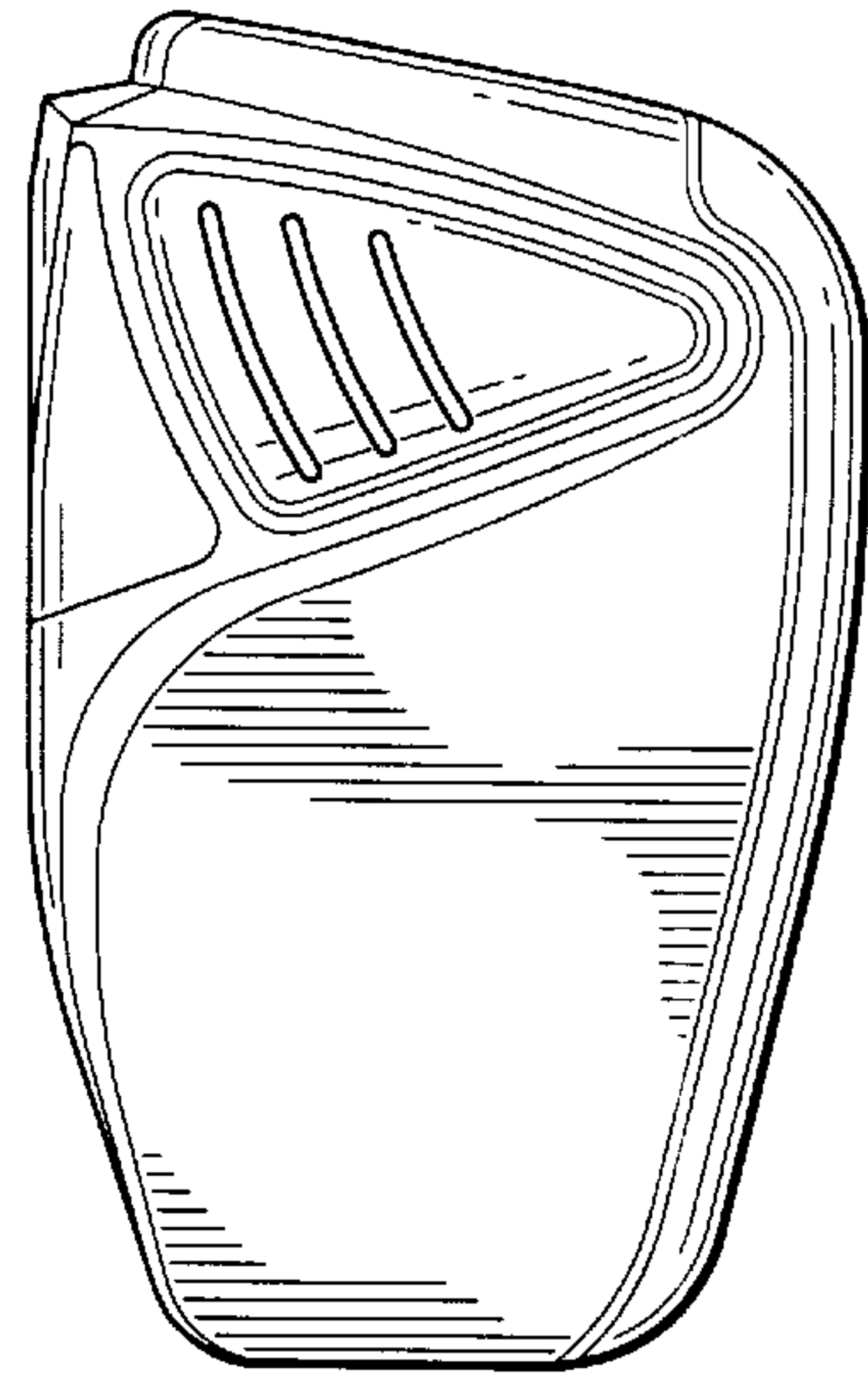


FIG. 2

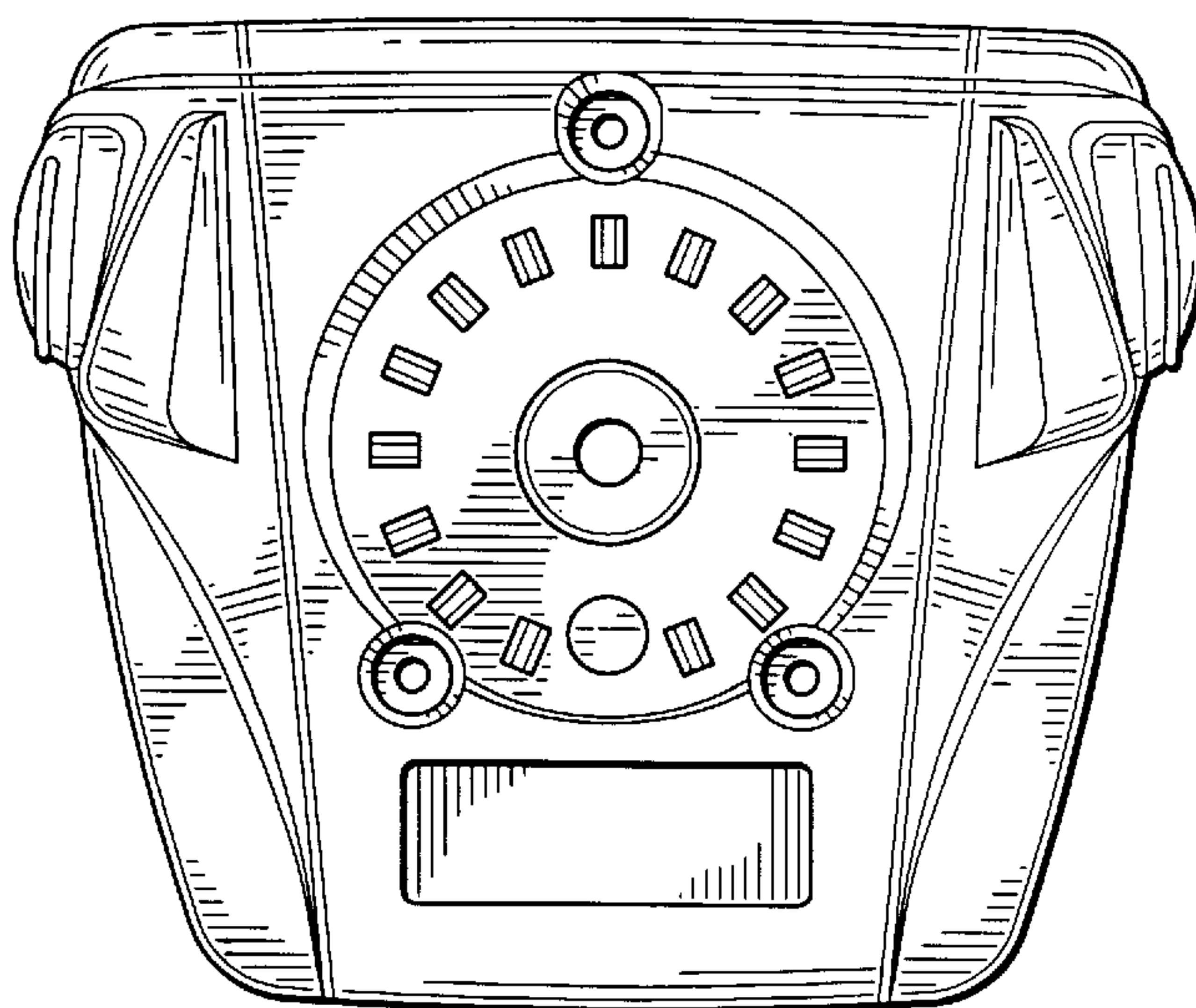
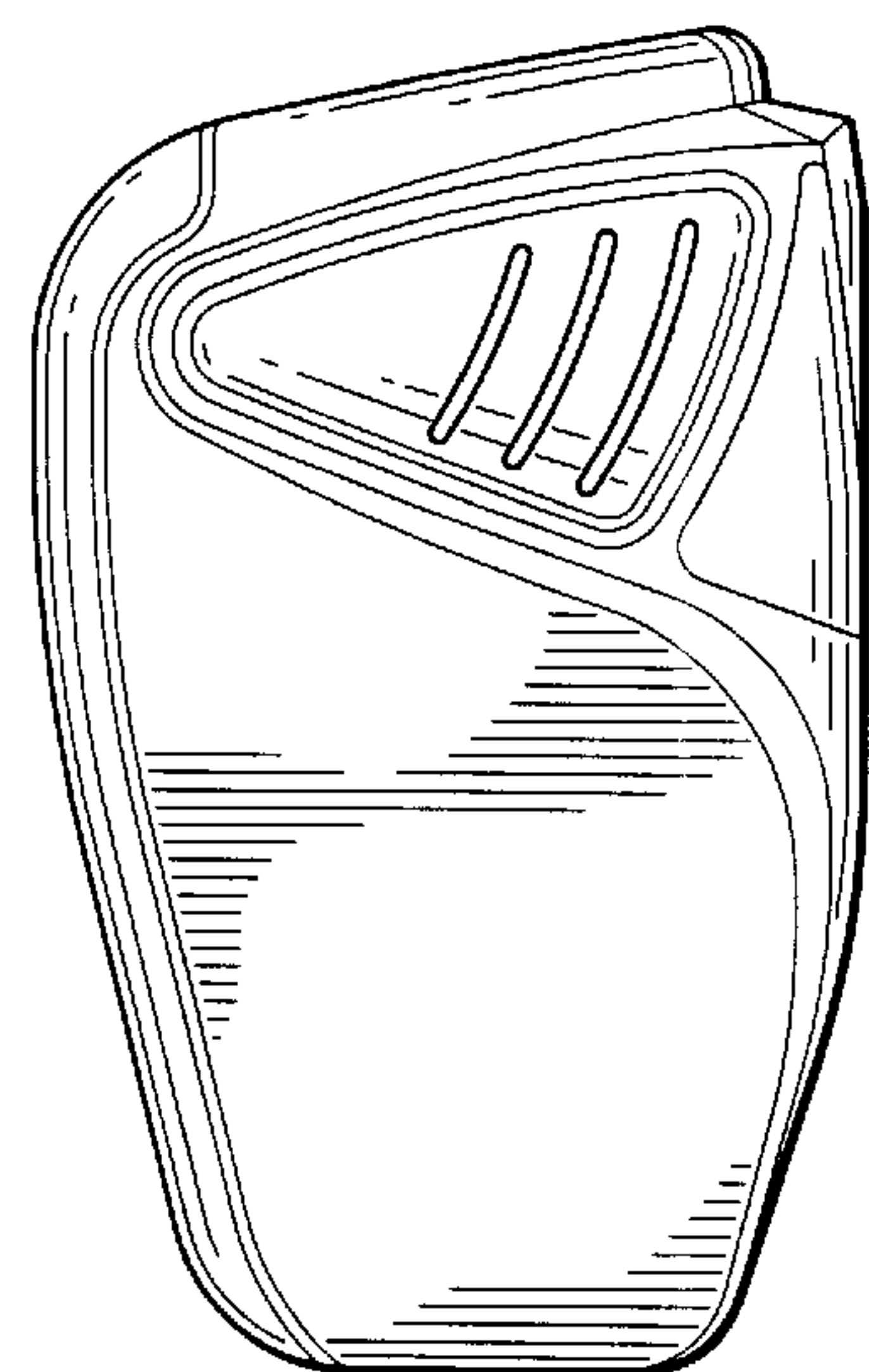
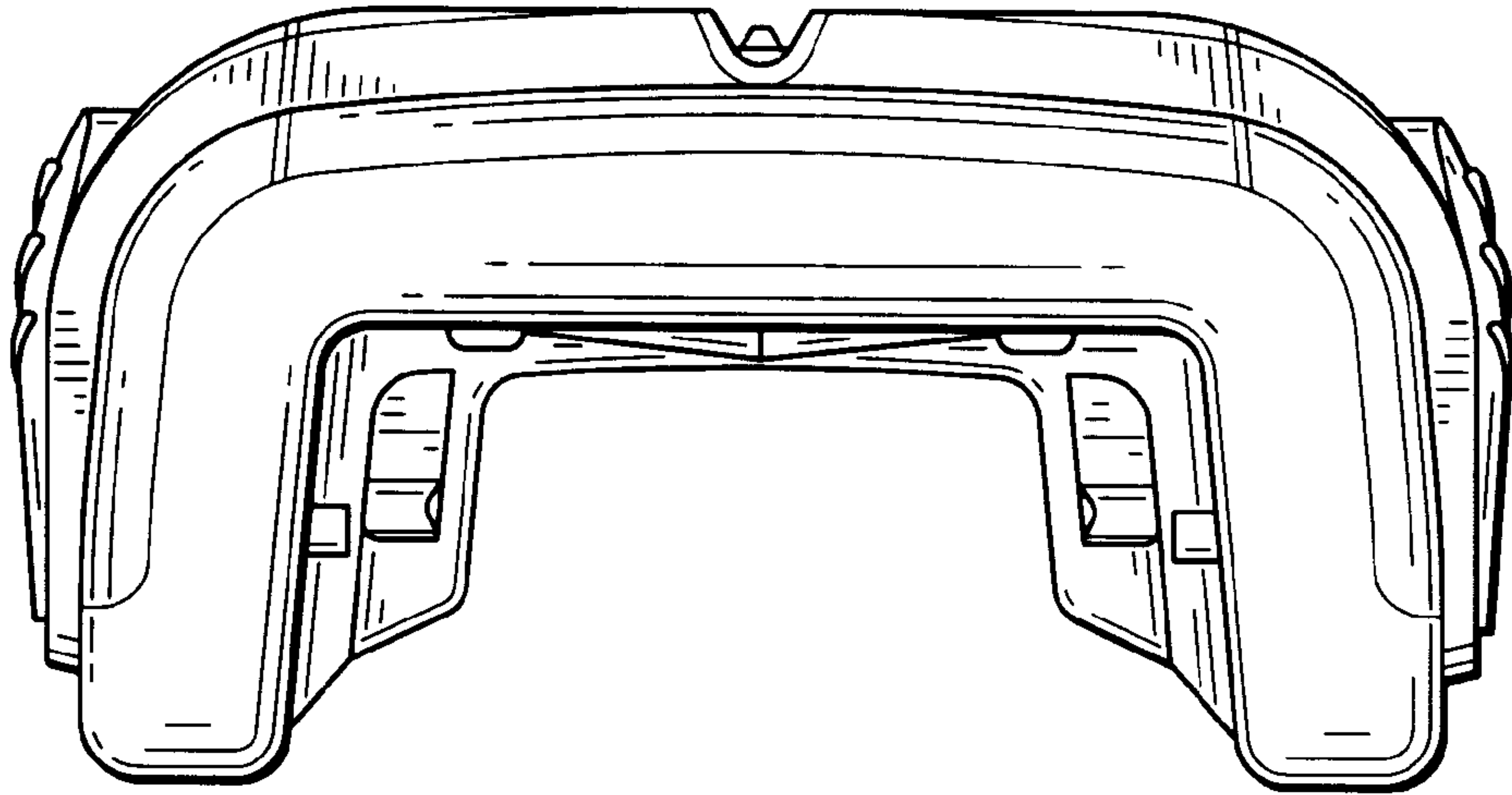


FIG. 4



*FIG. 5*



*FIG. 6*

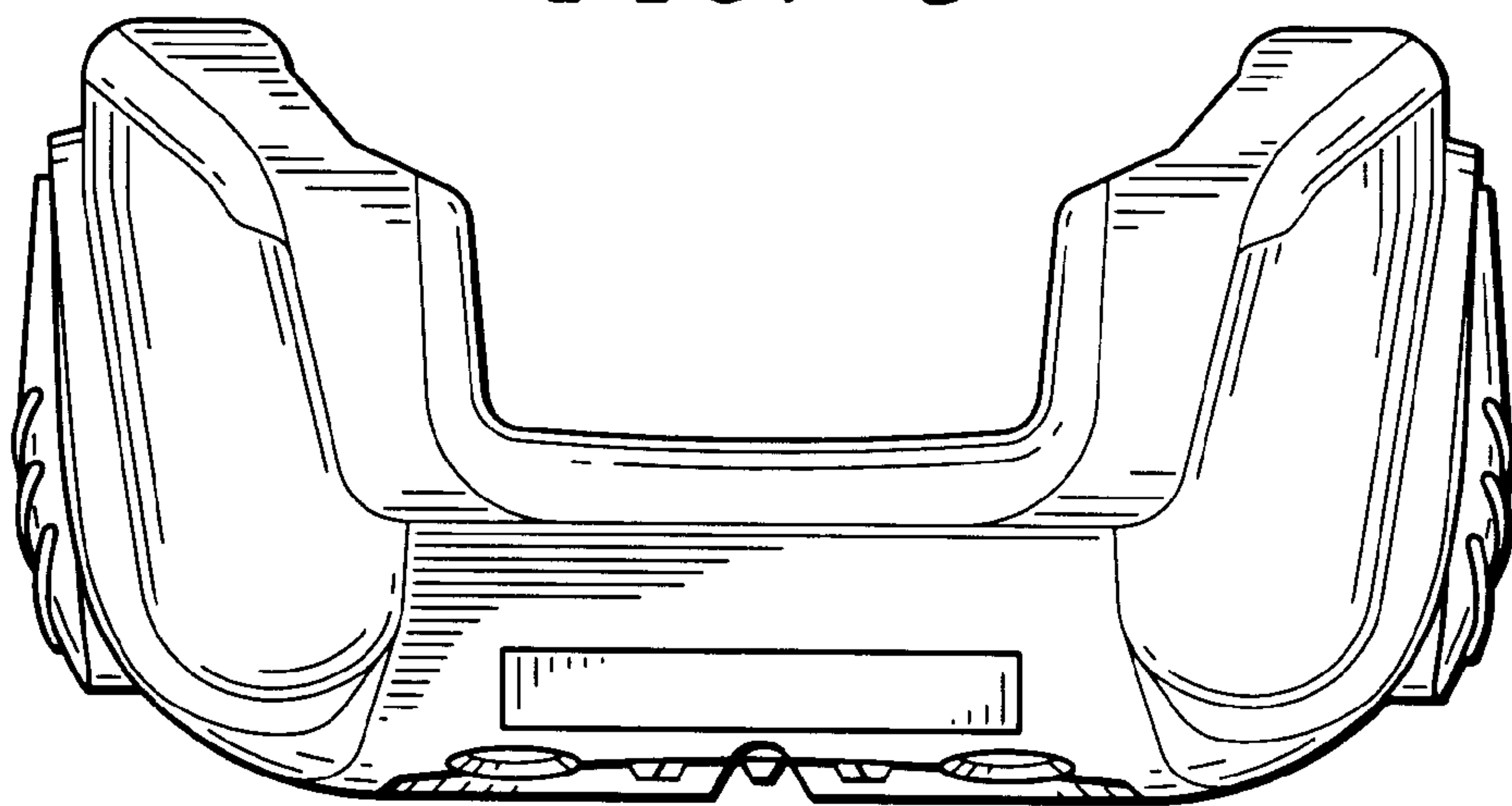




FIG. 7

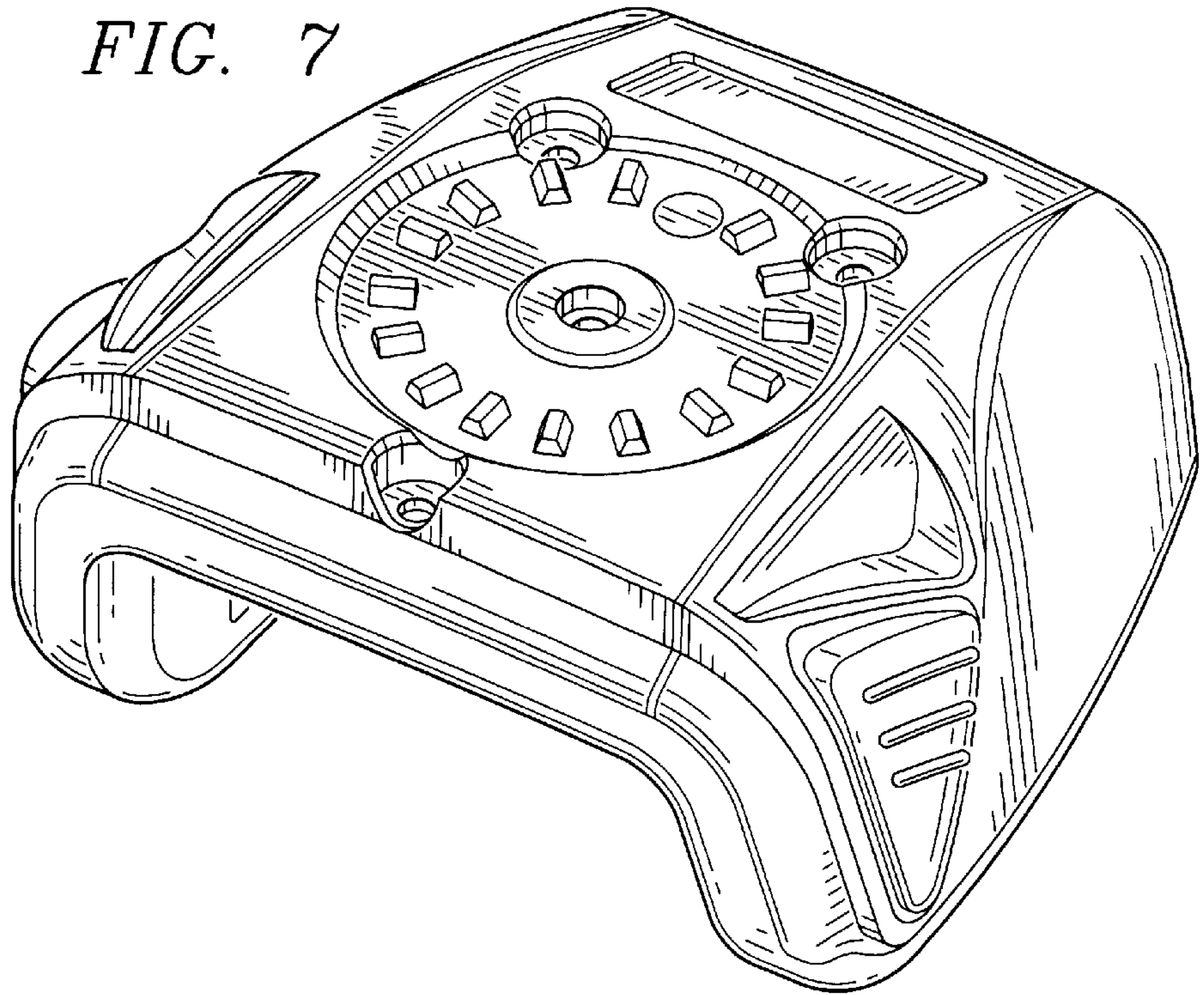


FIG. 8

