



US00D456388S

(12) **United States Design Patent**  
**Hwang**

(10) **Patent No.:** **US D456,388 S**

(45) **Date of Patent:** **\*\* Apr. 30, 2002**

(54) **ANTENNA ASSEMBLY**

(75) **Inventor:** **Jenq-Yih Hwang, Irvine, CA (US)**

(73) **Assignee:** **Hon Hai Precision Ind. Co., Ltd.,  
Taipei Hsien (TW)**

(\*\*) **Term:** **14 Years**

(21) **Appl. No.:** **29/140,547**

(22) **Filed:** **Apr. 17, 2001**

(51) **LOC (7) Cl.** ..... **14-03**

(52) **U.S. Cl.** ..... **D14/230; 343/872**

(58) **Field of Search** ..... **D14/230-238,  
D14/137; 343/720, 900, 713, 878, 905,  
906, 715, 749, 752, 895, 714, 806, 802,  
823, 805, 872, 705, 708, 741, 840, 882,  
702, 873, 881**

(56) **References Cited**

**U.S. PATENT DOCUMENTS**

D289,164 S \* 4/1987 Carr ..... D14/231

D296,895 S \* 7/1988 Nakayama ..... D14/230

D301,239 S \* 5/1989 Chino ..... D14/230

D302,159 S \* 7/1989 Chin ..... D14/230

D381,978 S \* 8/1997 Nakada et al. .... D14/137

\* cited by examiner

*Primary Examiner*—Louis S. Zarfes

*Assistant Examiner*—Gregory Andoll

(74) *Attorney, Agent, or Firm*—Wei Te Chung

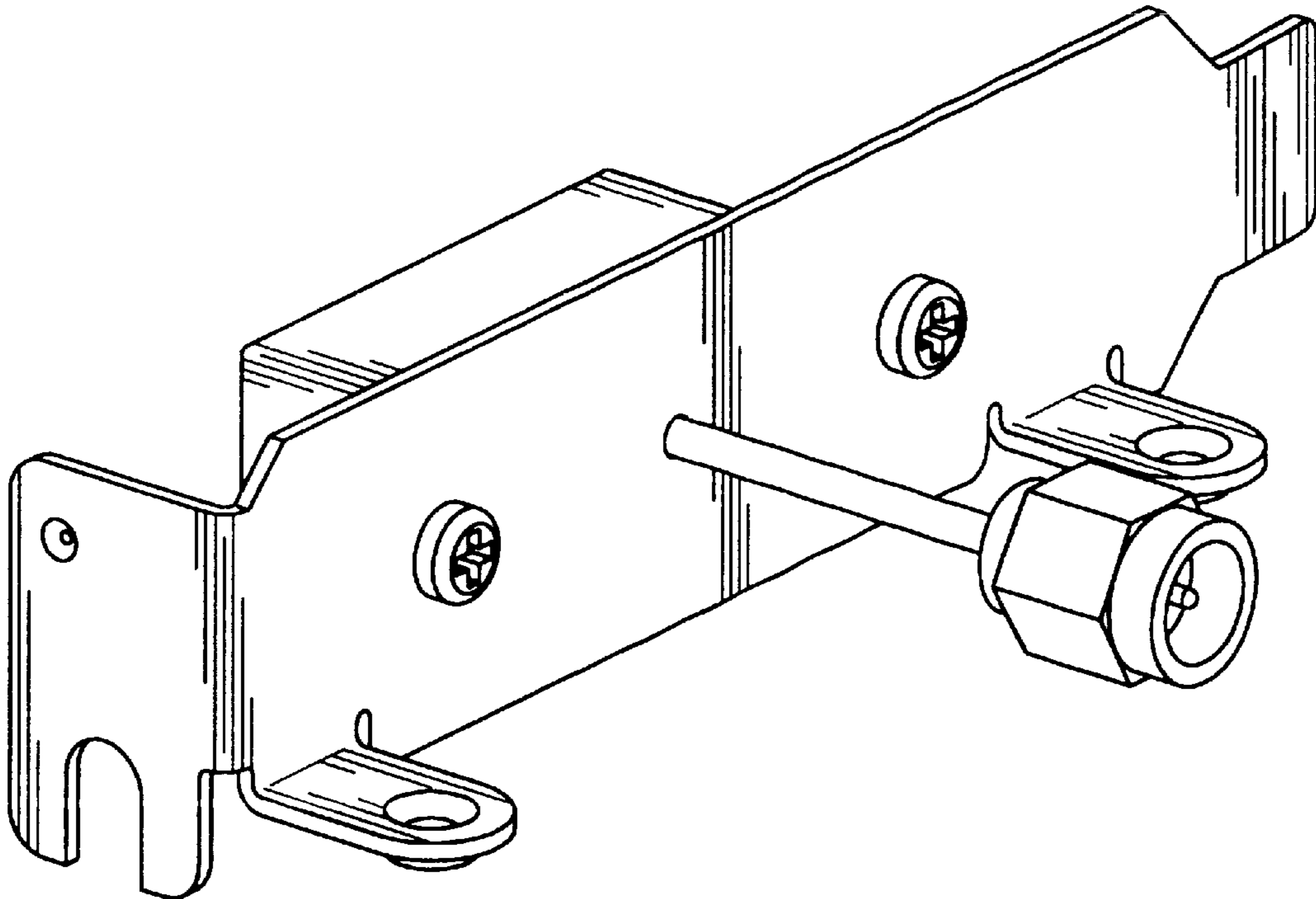
(57) **CLAIM**

The ornamental design for an antenna assembly, as shown.

**DESCRIPTION**

FIG. 1 is a front, top and left side perspective view of an antenna assembly showing my new design;  
FIG. 2 is a front elevational view thereof;  
FIG. 3 is a rear elevational view thereof;  
FIG. 4 is a left side elevational view thereof;  
FIG. 5 is a right side elevational view thereof;  
FIG. 6 is a top plan view thereof; and,  
FIG. 7 is a bottom plan view thereof.

**1 Claim, 5 Drawing Sheets**



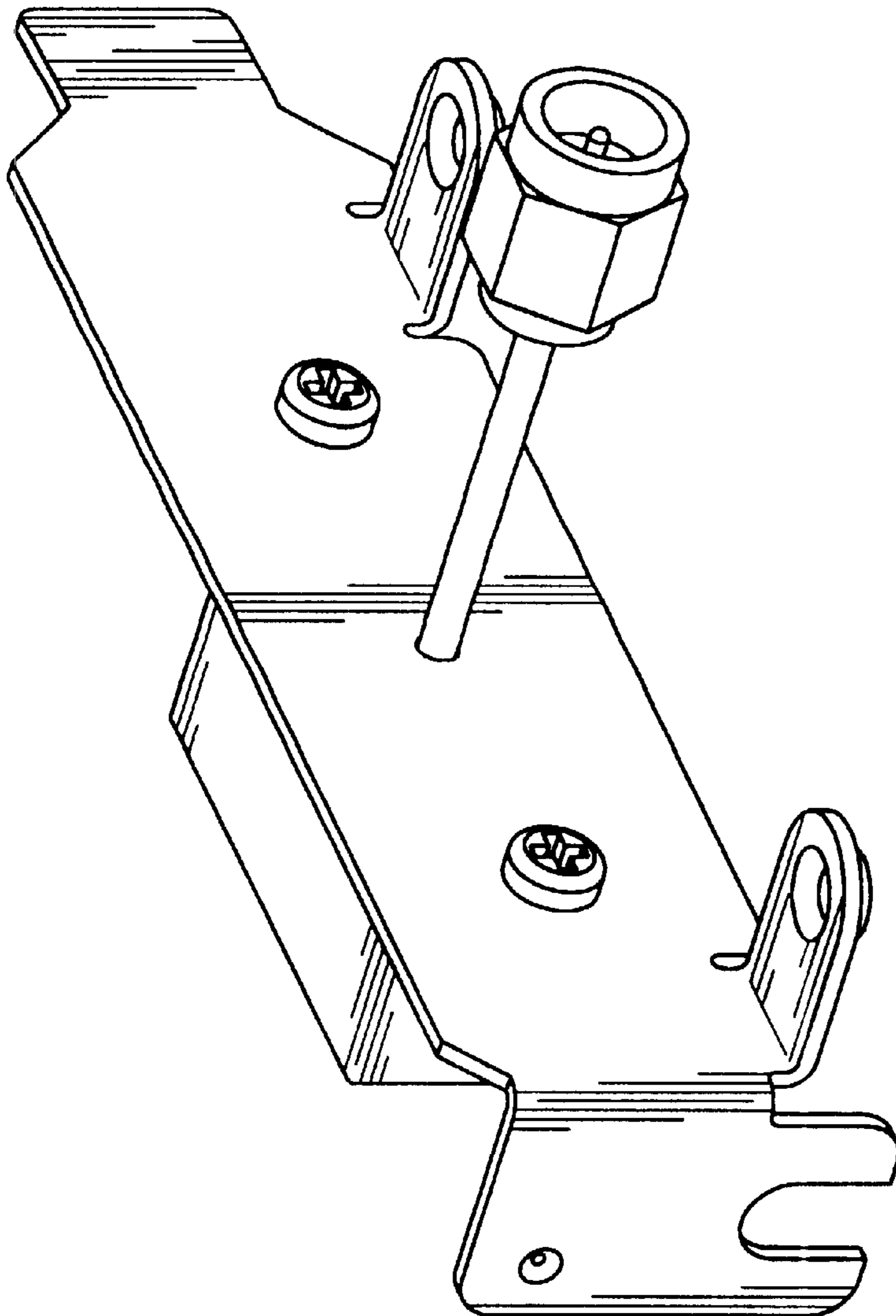


FIG. 1

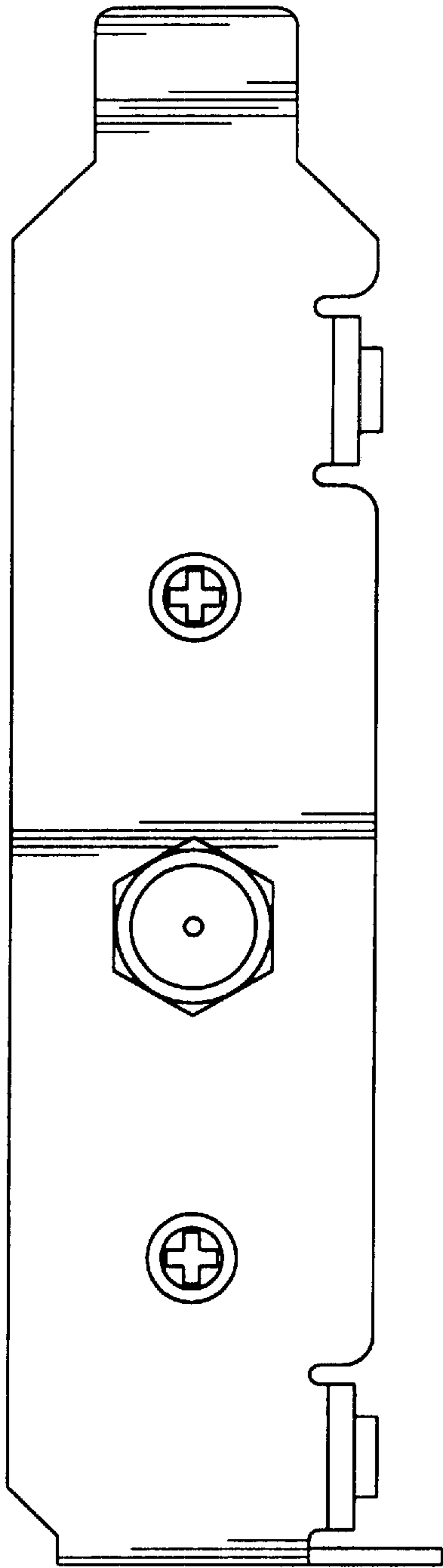


FIG. 2

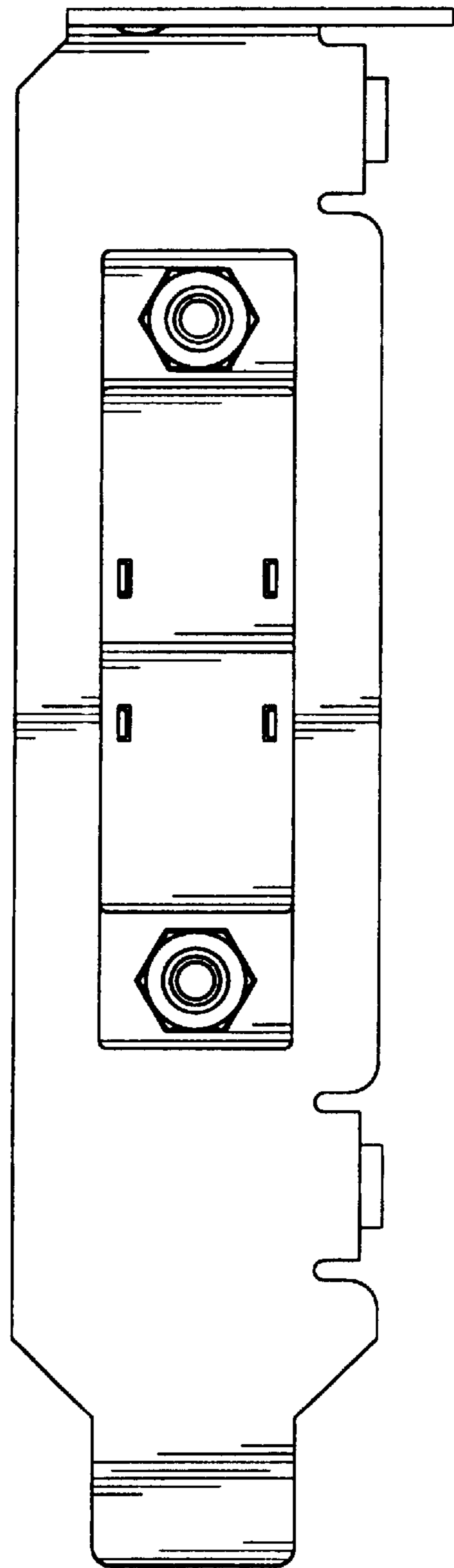


FIG. 3

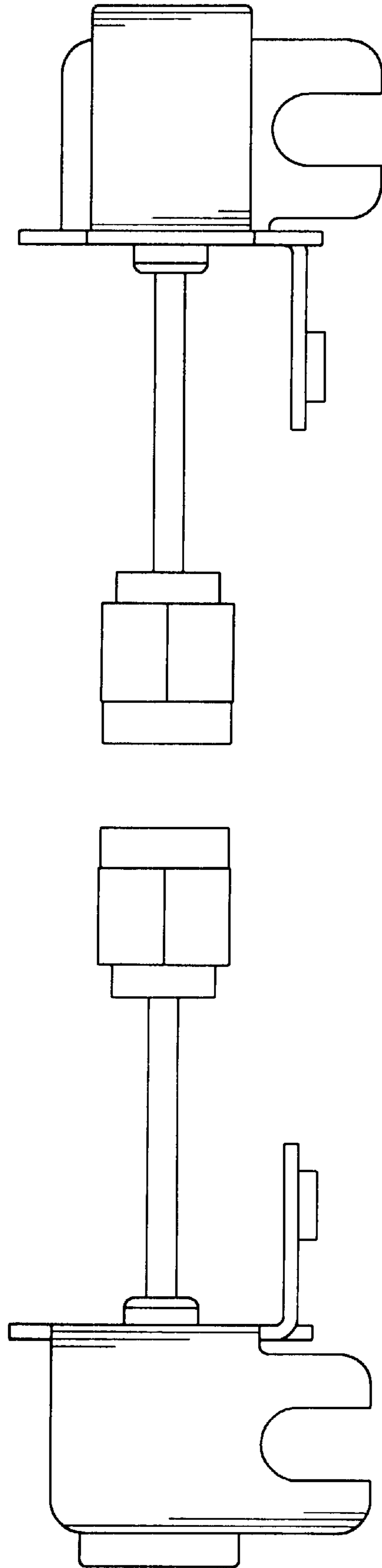


FIG. 4

FIG. 5

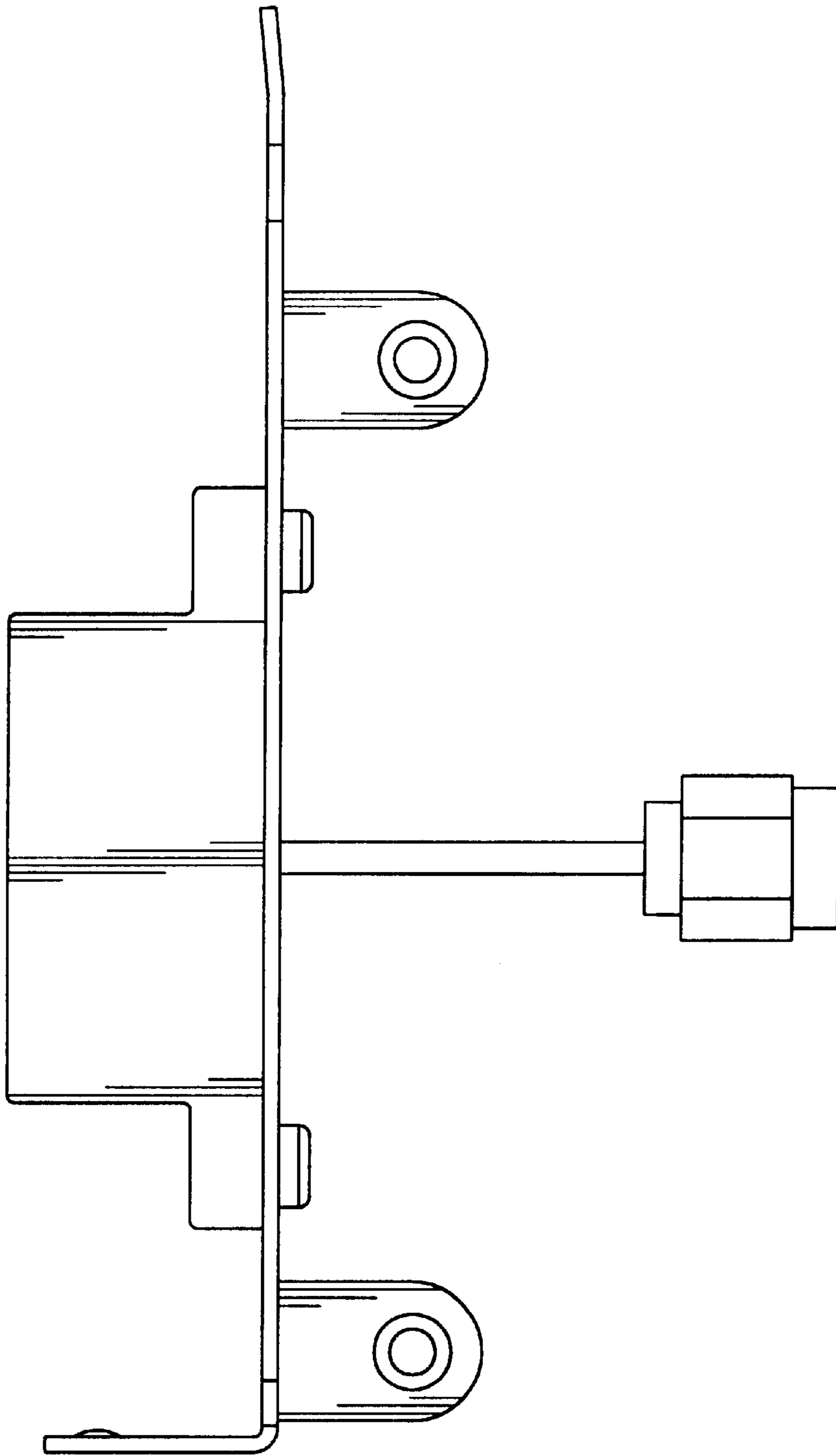


FIG. 6

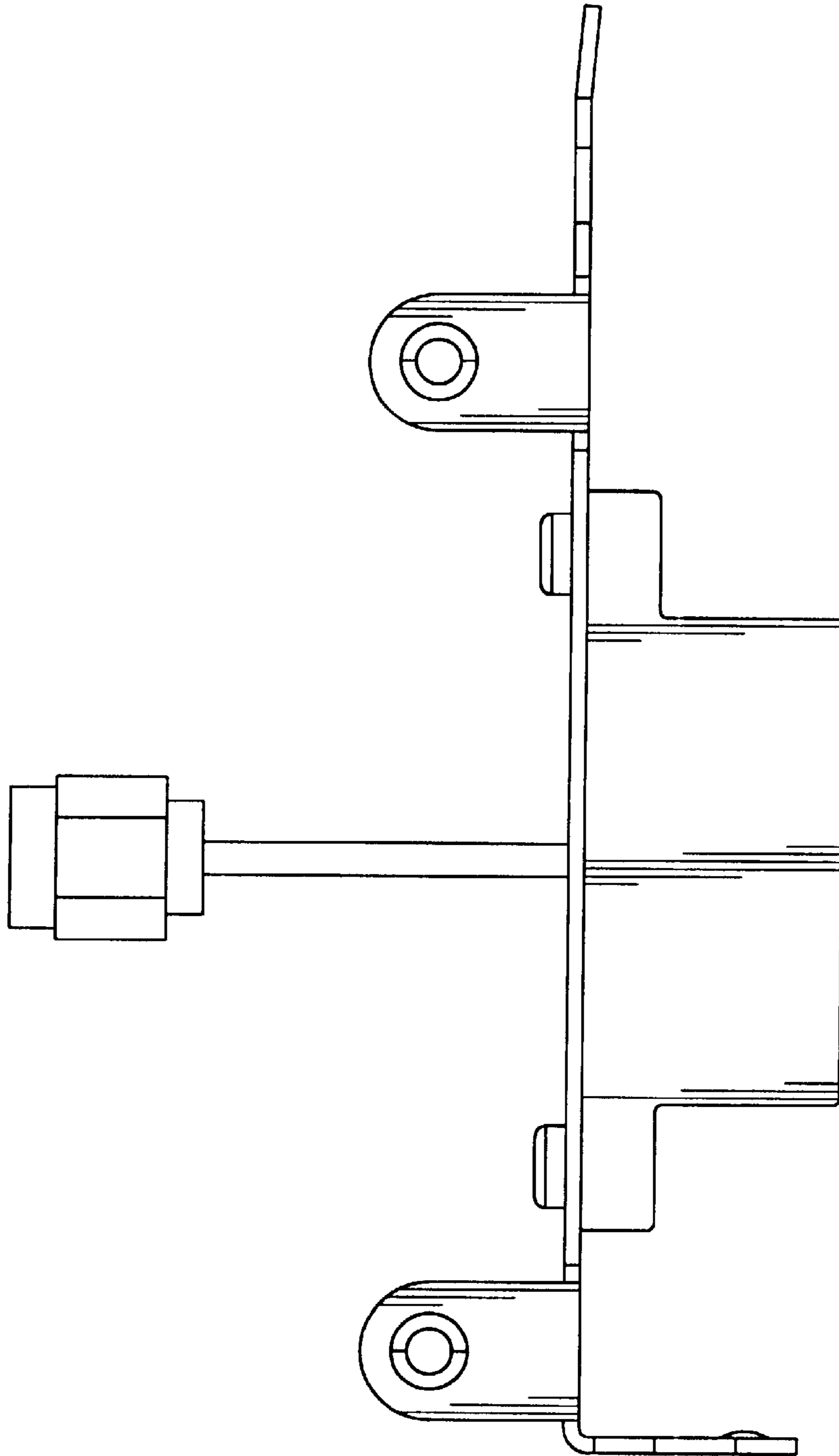


FIG. 7