



US00D456387S

(12) **United States Design Patent**
Hwang

(10) **Patent No.:** **US D456,387 S**

(45) **Date of Patent:** **** Apr. 30, 2002**

(54) **ANTENNA ASSEMBLY**

(75) **Inventor:** **Jenq-Yih Hwang**, Irvine, CA (US)

(73) **Assignee:** **Hon Hai Precision Ind. Co., Ltd.**,
Taipei Hsien (TW)

(**) **Term:** **14 Years**

(21) **Appl. No.:** **29/140,453**

(22) **Filed:** **Apr. 17, 2001**

(51) **LOC (7) Cl.** **14-03**

(52) **U.S. Cl.** **D14/230**

(58) **Field of Search** D14/230-238,
D14/137; 343/720, 900, 713, 878, 905,
906, 715, 749, 752, 895, 714, 806, 802,
823, 805, 872, 705, 708, 741, 840, 882,
702, 873, 881

(56) **References Cited**

U.S. PATENT DOCUMENTS

D289,164 S * 4/1987 Carr D14/231

D296,895 S * 7/1988 Nakayama D14/230

D301,239 S * 5/1989 Chino D14/230

D302,159 S * 7/1989 Chin D14/230

D381,978 S * 8/1997 Nakada et al. D14/137

* cited by examiner

Primary Examiner—Louis S. Zarfes

Assistant Examiner—Gregory Andoll

(74) *Attorney, Agent, or Firm*—Wei Te Chung

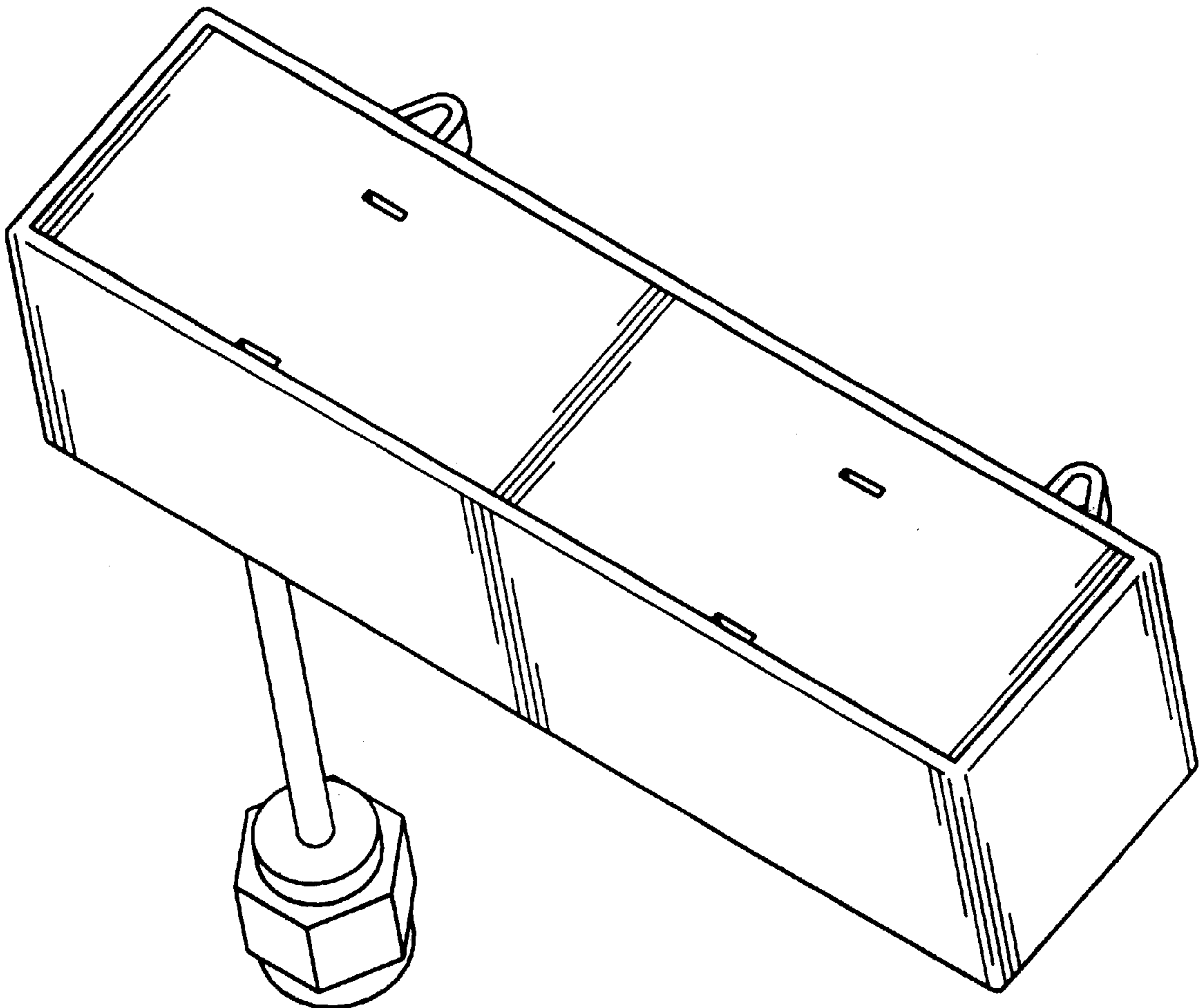
(57) **CLAIM**

The ornamental design for an antenna assembly, as shown.

DESCRIPTION

FIG. 1 is a front, top and right side perspective view of an antenna assembly showing my new design;
FIG. 2 is a front elevational view thereof;
FIG. 3 is a rear elevational view thereof;
FIG. 4 is a left side elevational view thereof;
FIG. 5 is a right side elevational view thereof;
FIG. 6 is a top plan view thereof; and,
FIG. 7 is a bottom plan view thereof.

1 Claim, 5 Drawing Sheets



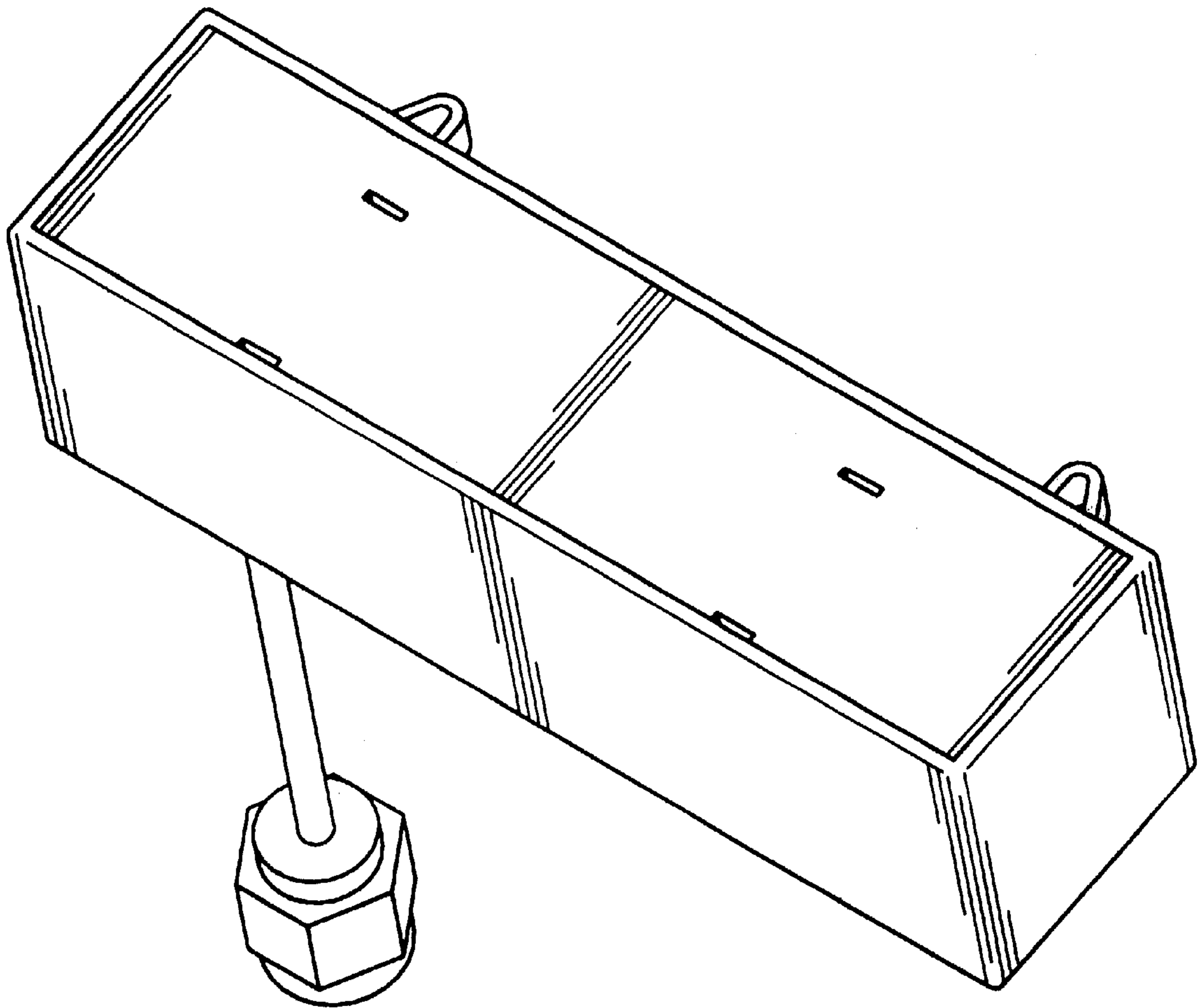


FIG. 1

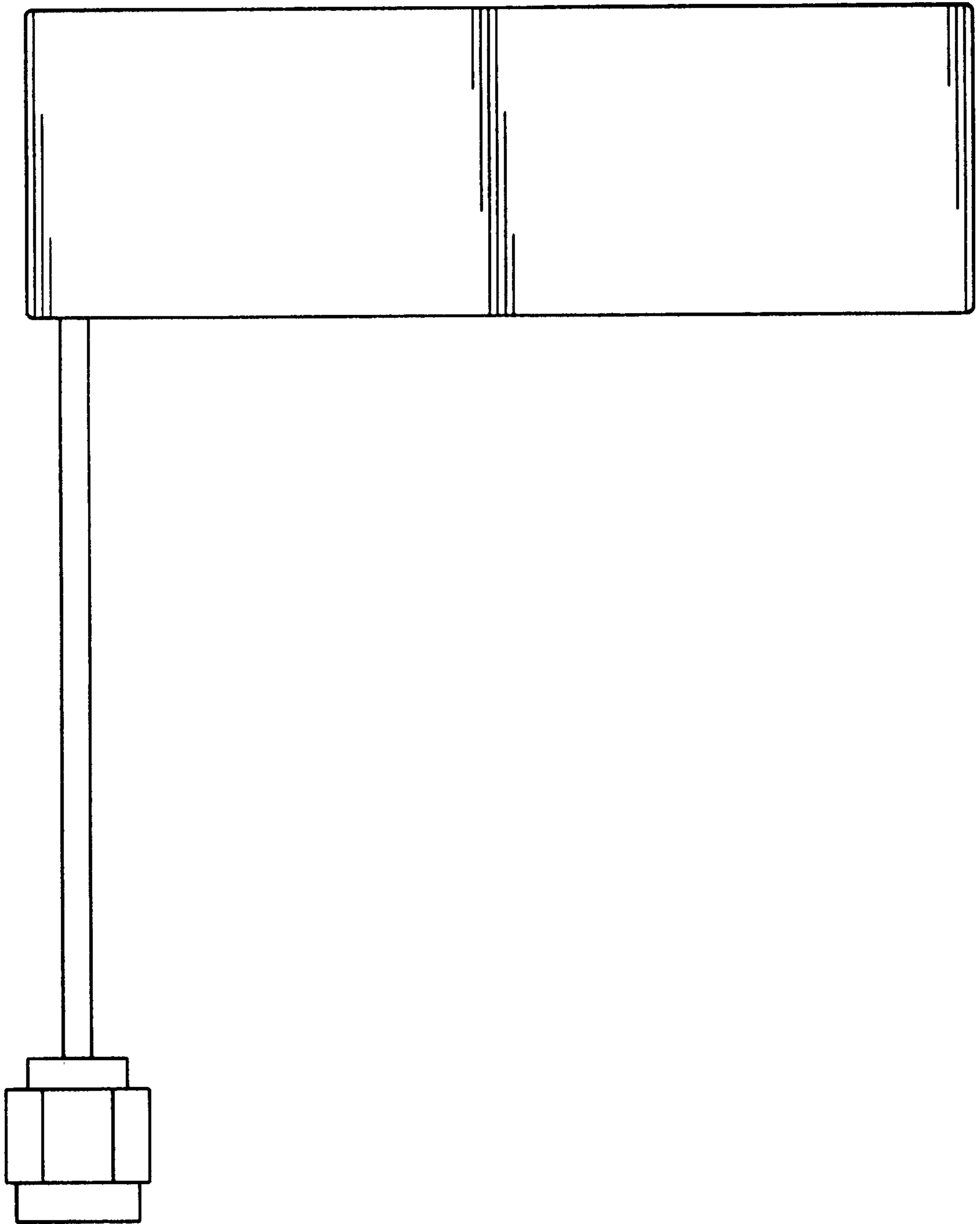


FIG. 2

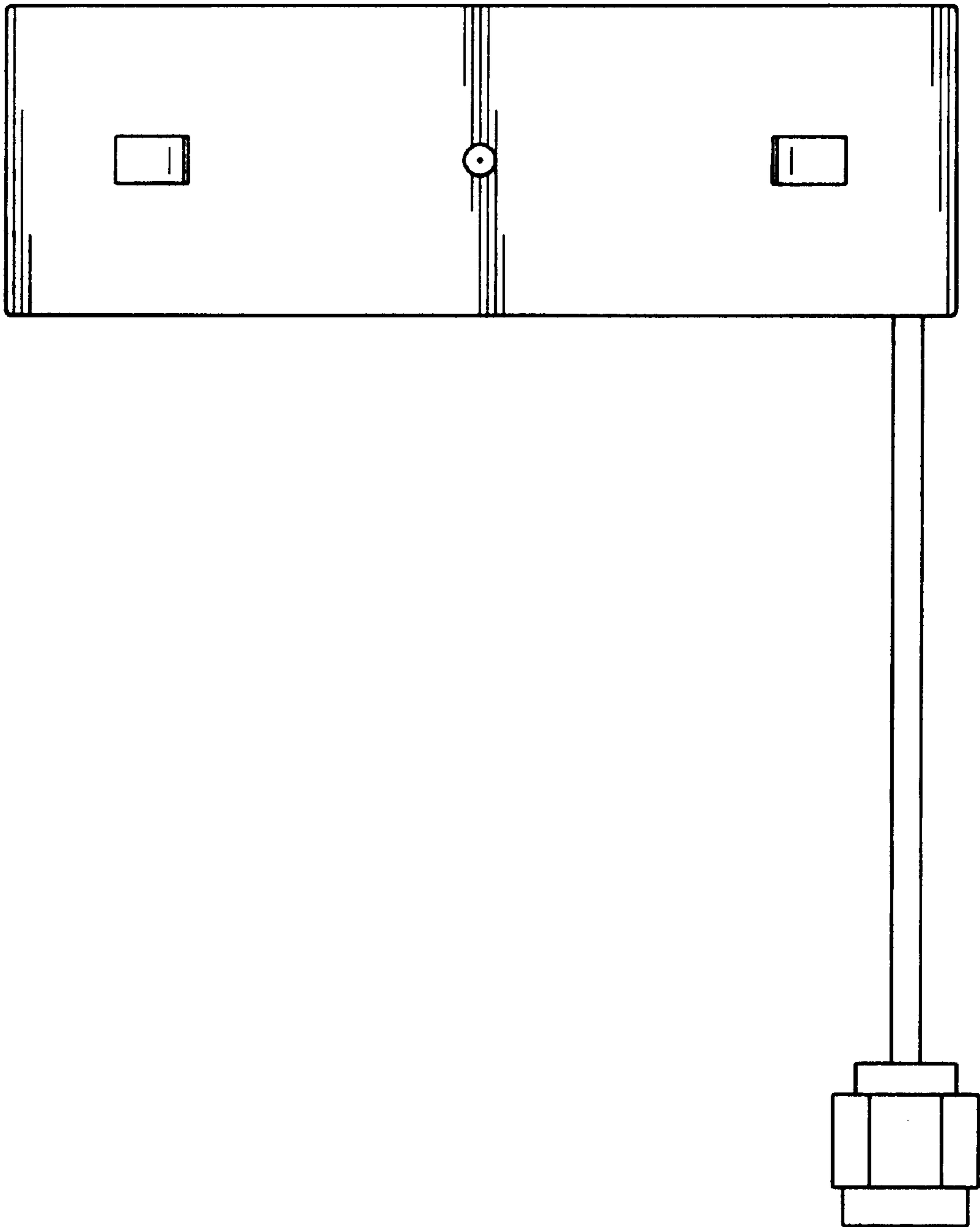


FIG. 3

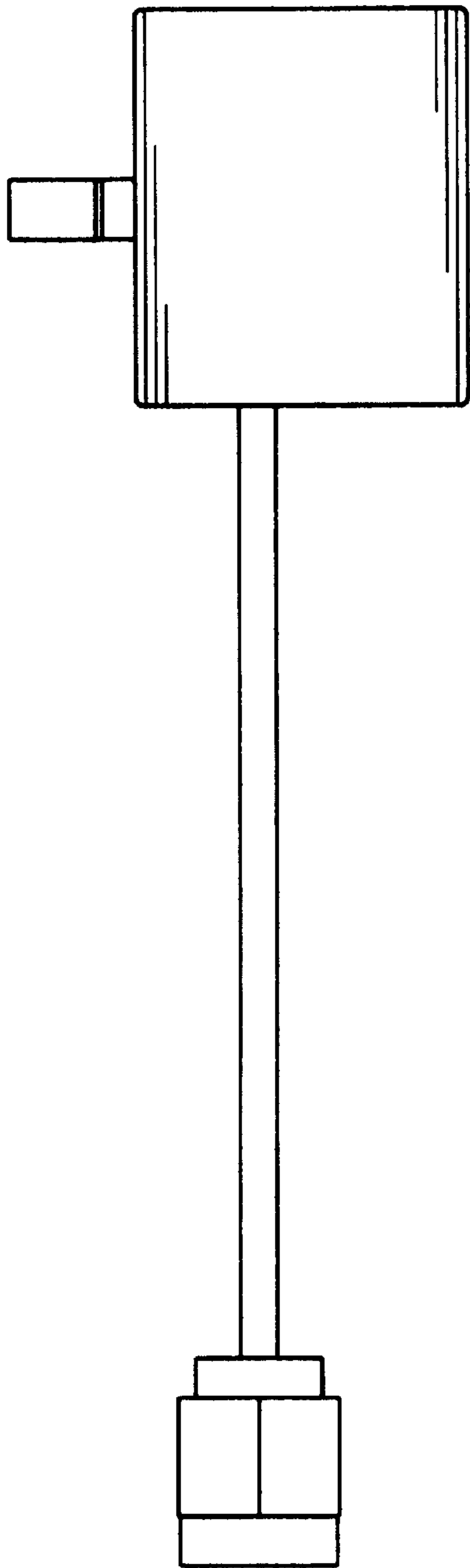


FIG. 4

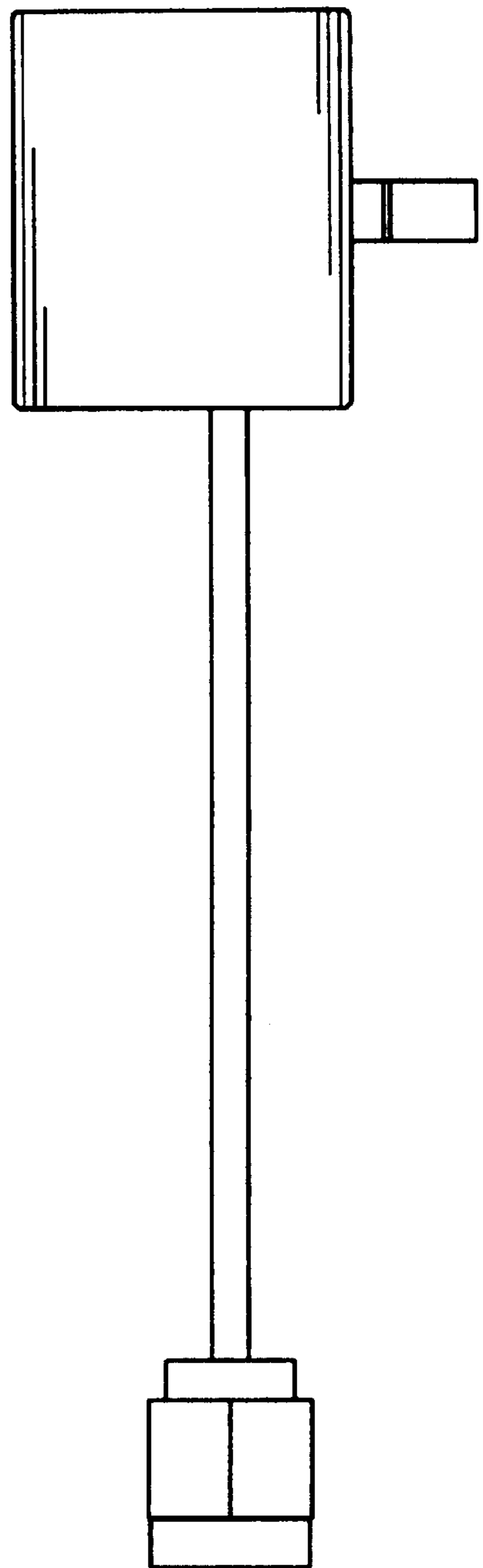


FIG. 5

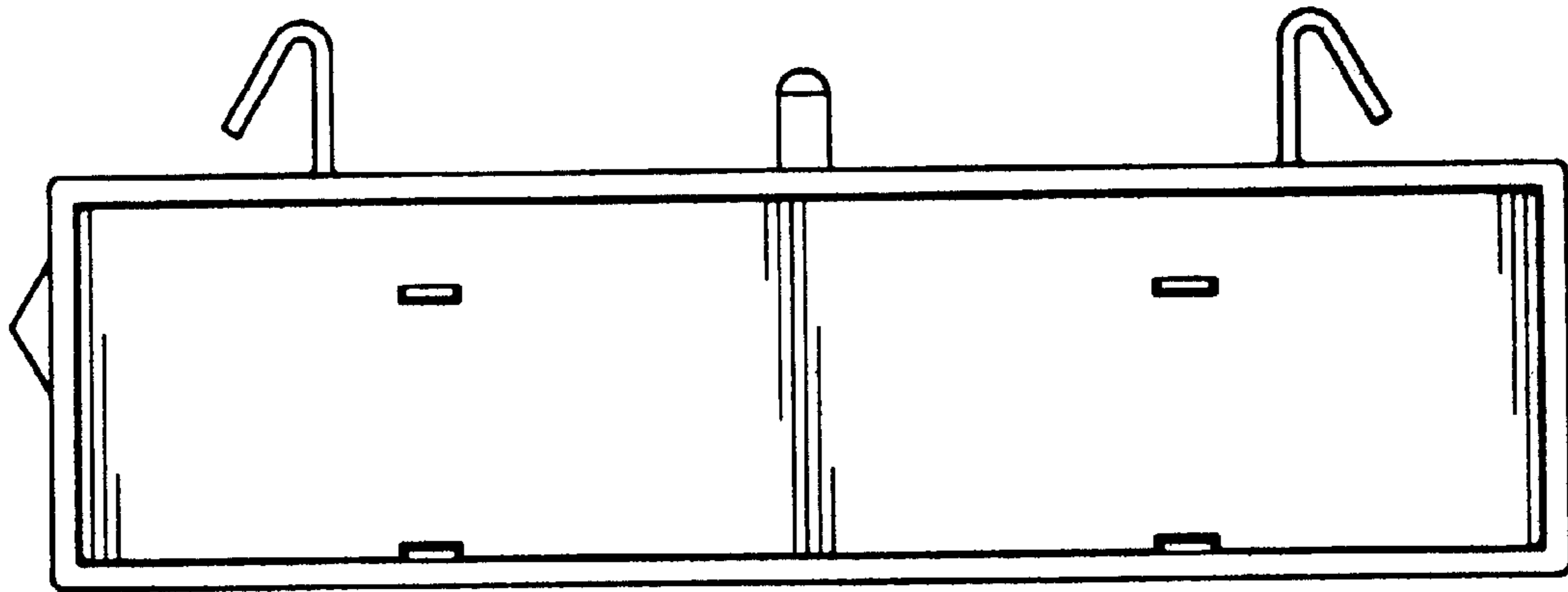


FIG. 6

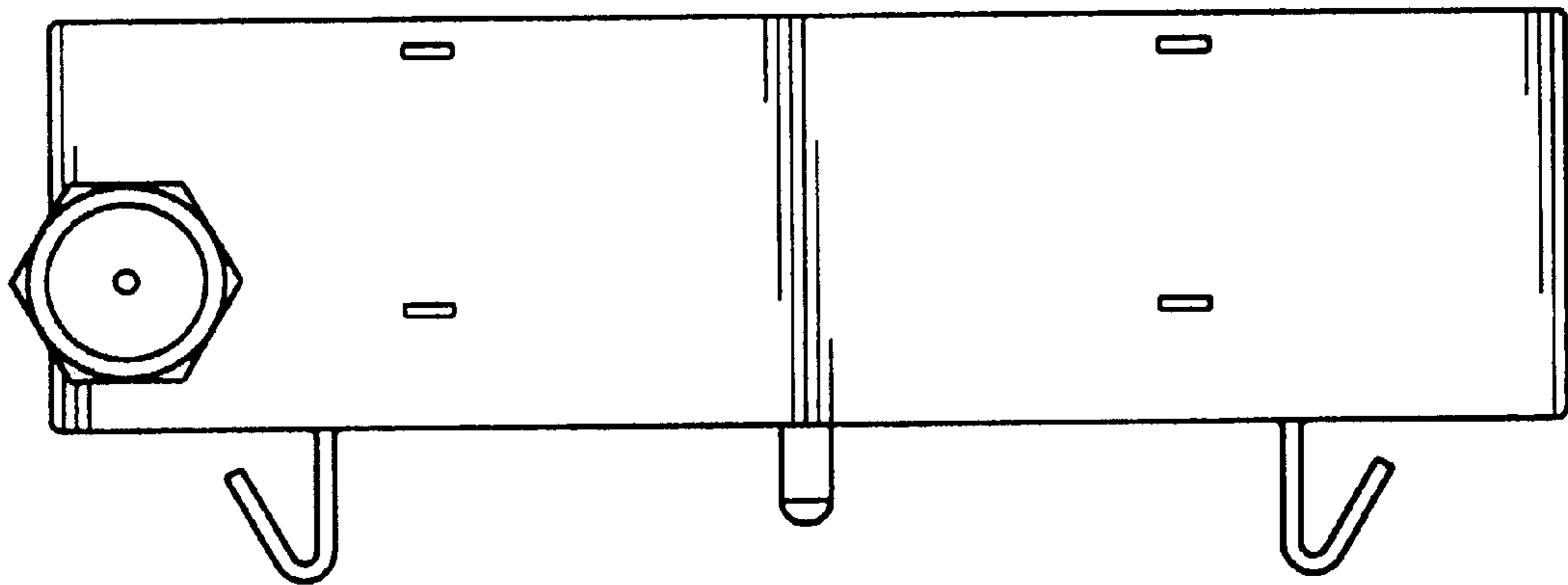


FIG. 7