



US00D456386S

(12) **United States Design Patent**
Irby et al.

(10) **Patent No.: US D456,386 S**

(45) **Date of Patent: ** Apr. 30, 2002**

(54) **SUBWOOFER BASKET**

FOREIGN PATENT DOCUMENTS

(75) Inventors: **Steven M. Irby; William O. Doering,**
both of Stillwater, OK (US)

JP	59-86992 A	5/1984
JP	60-12897 A	1/1985
JP	61-48298 A	3/1986
JP	61-80998	4/1986
JP	61-158297 A	7/1986

(73) Assignee: **Stillwater Designs & Audio, Inc.,**
Stillwater, OK (US)

OTHER PUBLICATIONS

(**) Term: **14 Years**

Original color catalog by Stillwater Designs & Audio, Inc.'s entitled "'98 Car Audio Systems," 1998 (Stillwater, Oklahoma).

(21) Appl. No.: **29/108,621**

Patent Abstract of Japan, Patent No. 59-86992, European Patent Office (1984).

(22) Filed: **Jul. 30, 1999**

Patent Abstract of Japan, Patent No. 61-158297, European Patent Office (1986).

(51) **LOC (7) Cl. 14-01**

Patent Abstract of Japan, Patent No. 61-48298, European Patent Office (1986).

(52) **U.S. Cl. D14/224**

Patent Abstract of Japan, Patent No. 60-12897, European Patent Office (1985).

(58) **Field of Search** D14/204, 208-216,
D14/221, 222, 224; 181/144, 147, 148,
150, 152-155, 157, 159, 171, 174; 381/423,
433, 430

* cited by examiner

(56) **References Cited**

Primary Examiner—Nanda Bondade

(74) *Attorney, Agent, or Firm*—Mary M. Lee

U.S. PATENT DOCUMENTS

1,771,318 A	7/1930	Schlenker	
2,002,190 A	5/1935	Round	
2,020,705 A	11/1935	Stenger	
2,439,665 A	4/1948	Marquis	
2,442,791 A	6/1948	Wente	
3,026,958 A	3/1962	Haerther, Jr.	
3,563,337 A	2/1971	Kawamura et al.	
3,983,337 A	9/1976	Babb	
D253,108 S	* 10/1979	Schroeder	D14/216
4,257,325 A	3/1981	Bertagni	
4,284,167 A	8/1981	Kozlow et al.	
4,321,434 A	3/1982	Irie	
D282,065 S	* 1/1986	Piercy	D14/224
4,928,312 A	5/1990	Hill	
5,251,188 A	10/1993	Parsons et al.	
5,371,805 A	12/1994	Saiki et al.	
5,418,337 A	5/1995	Schreiber	
5,539,835 A	7/1996	Bertagni et al.	
5,693,917 A	12/1997	Bertagni et al.	
5,740,264 A	4/1998	Kojima	
D396,723 S	* 8/1998	Leibzon	D14/224

(57) **CLAIM**

The ornamental design for a subwoofer basket, as shown and described.

DESCRIPTION

FIG. 1 is a bottom plan view of a subwoofer basket showing our new design;

FIG. 2 is bottom front perspective view thereof;

FIG. 3 is a bottom front perspective view thereof, with the remainder of the subwoofer shown in broken lines;

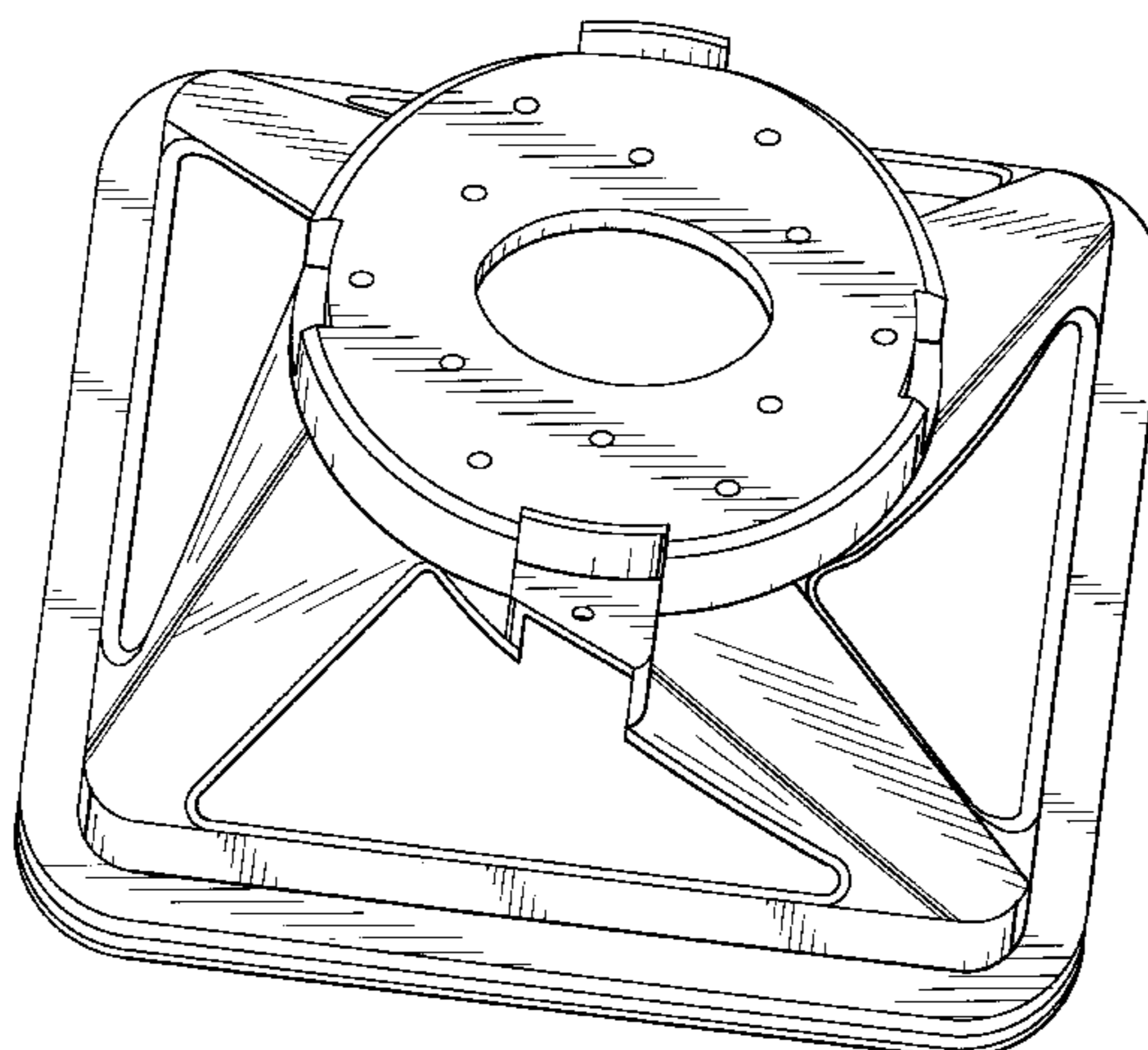
FIG. 4 is a bottom plan view thereof;

FIG. 5 is a top plan view thereof; and,

FIG. 6 is a side elevational view thereof, the opposite side being identical.

The broken line showing the remainder of the subwoofer on FIGS. 3-6 is for illustrative purposes only and forms no part of the claimed design.

1 Claim, 6 Drawing Sheets



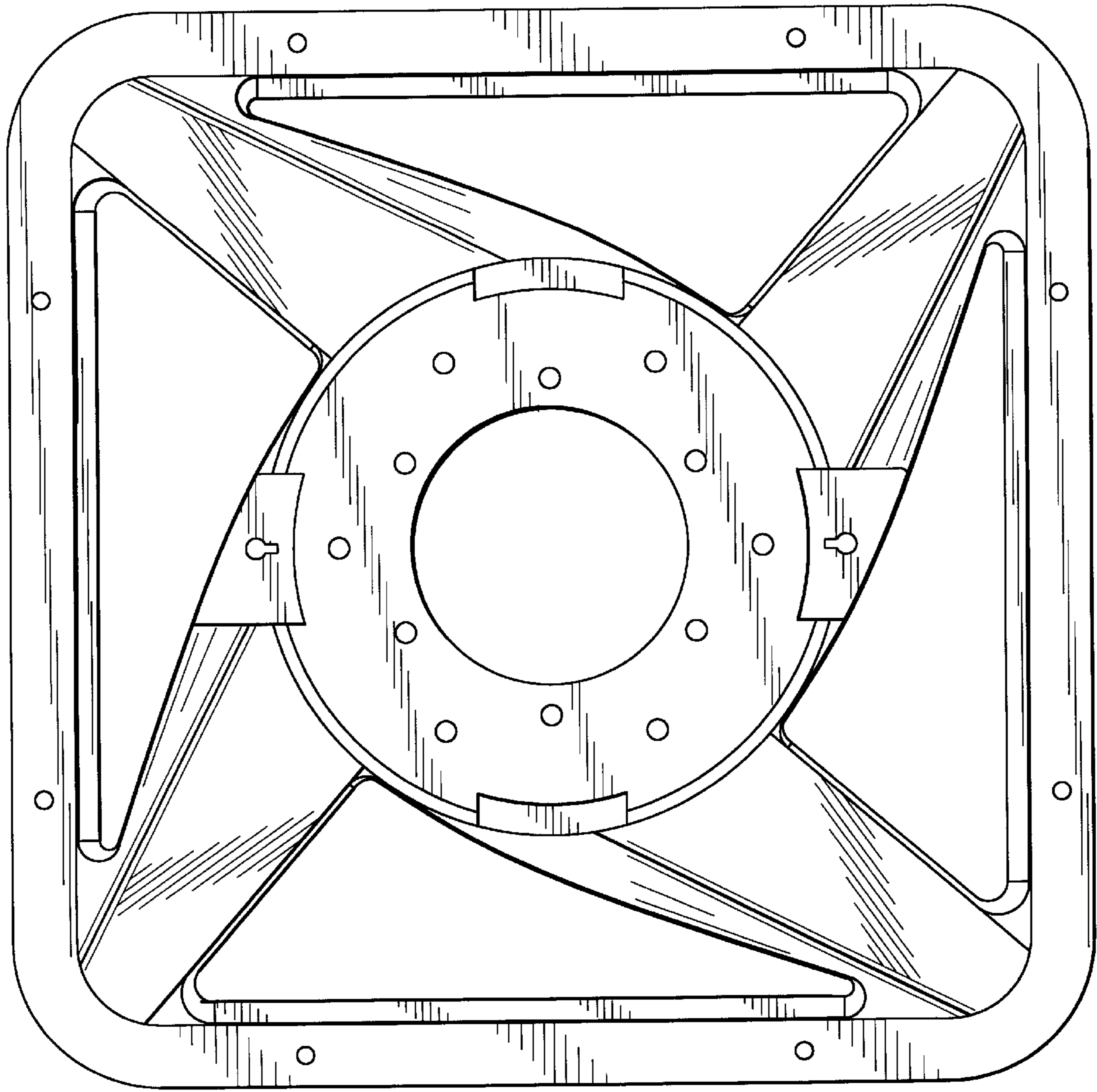


FIG. 1

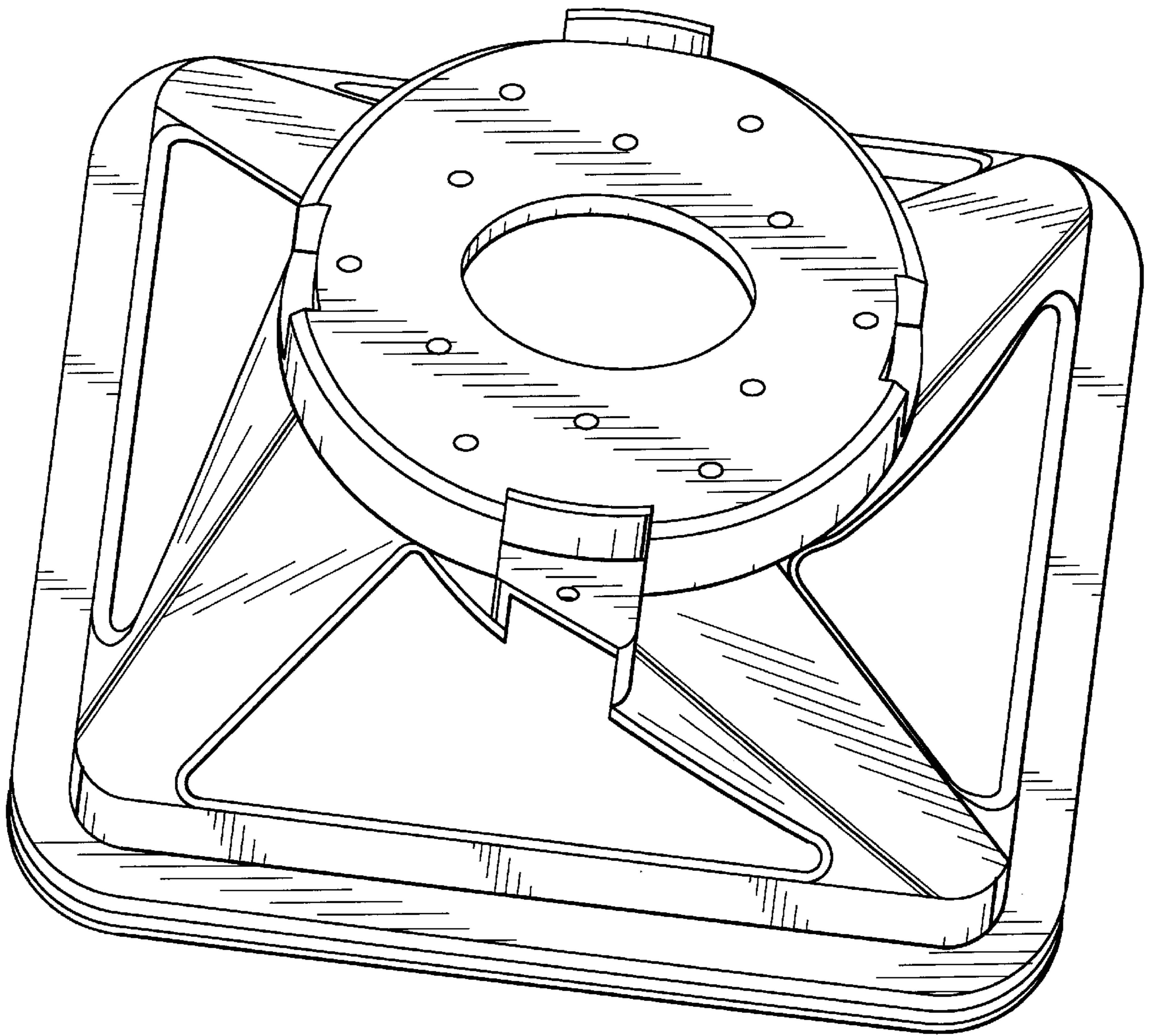


FIG. 3

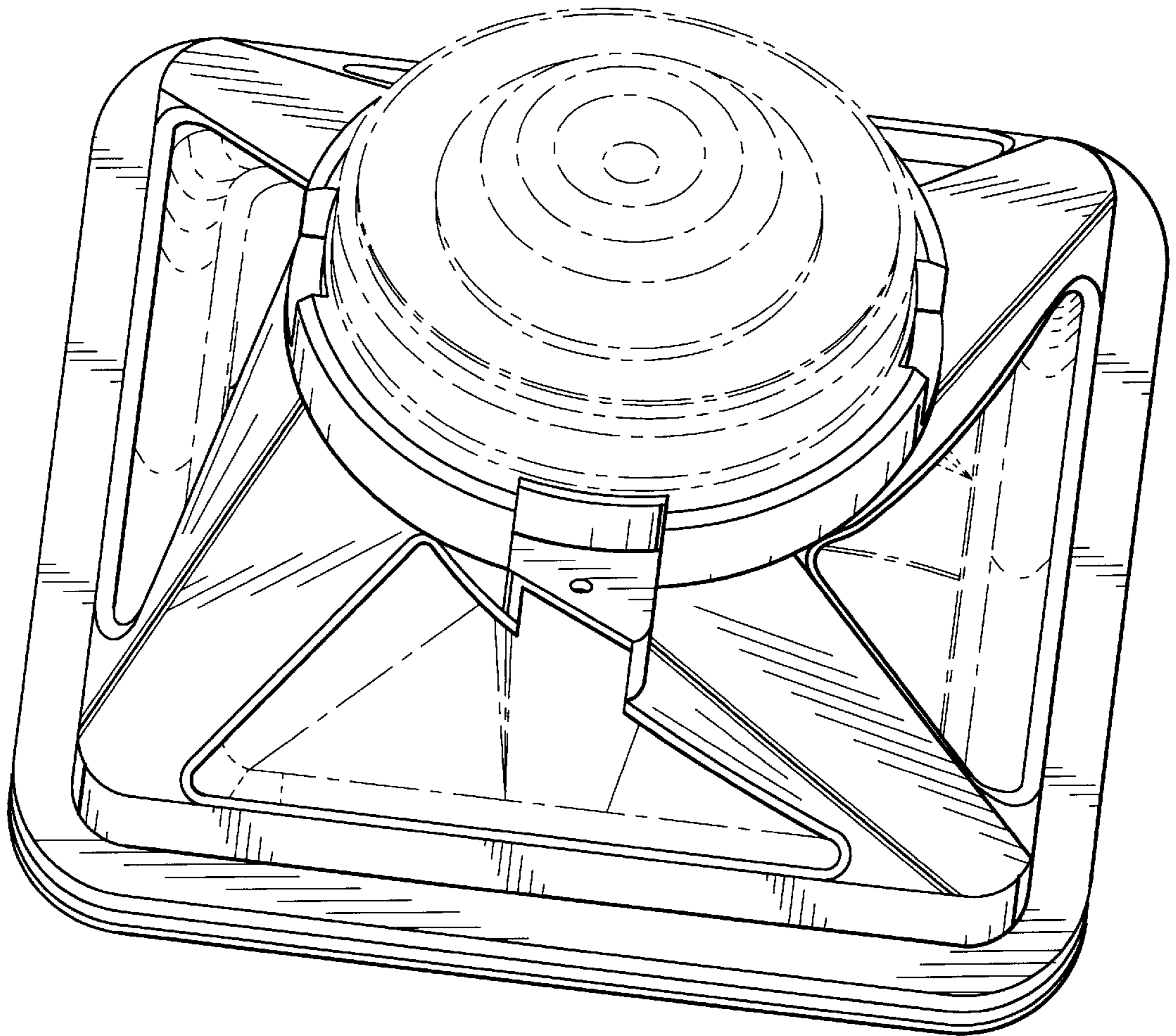


FIG. 3

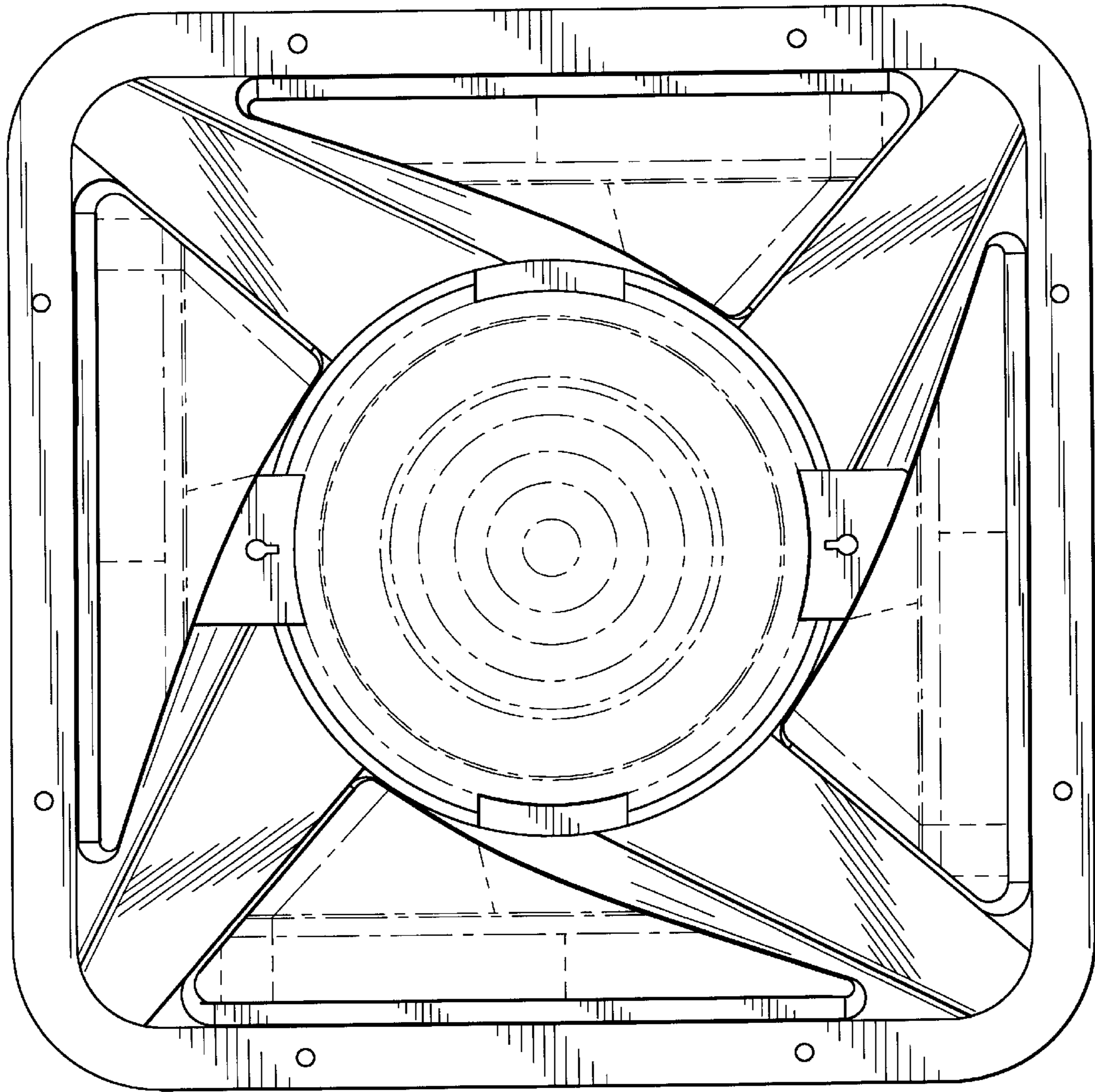


FIG. 4

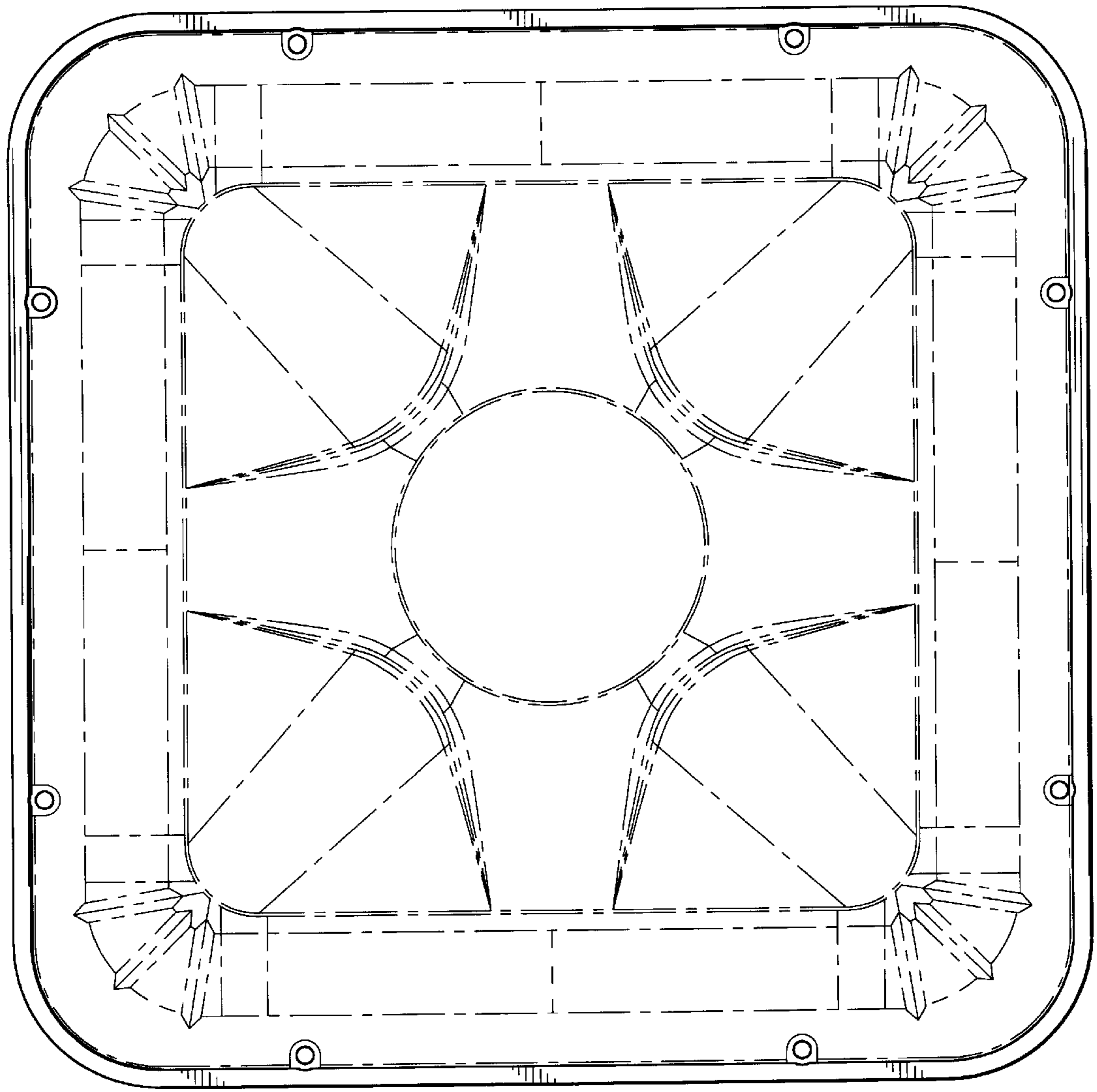


FIG. 3

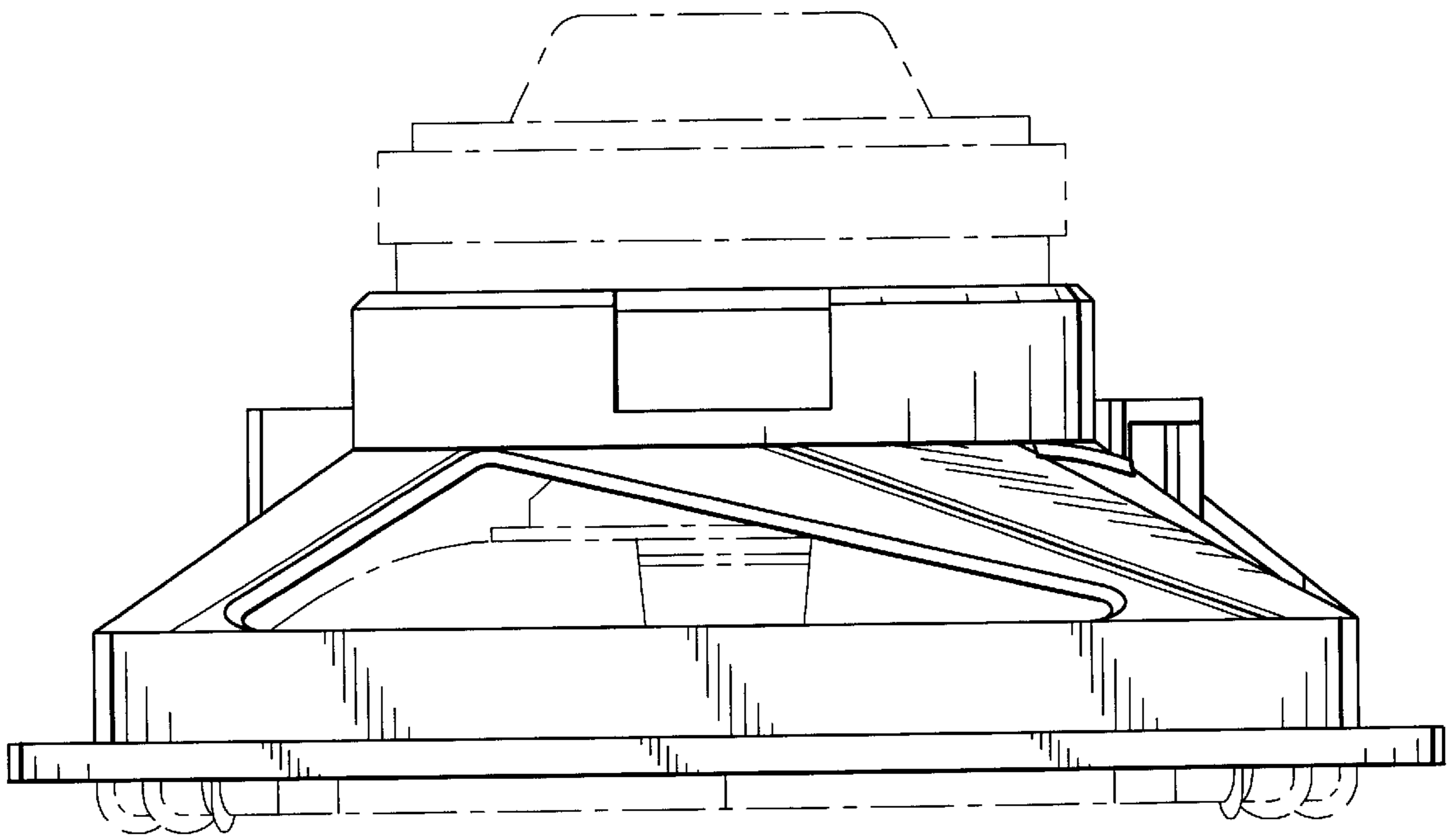


FIG. 3