



US00D456385S

(12) **United States Design Patent**
Suzuki

(10) **Patent No.:** **US D456,385 S**

(45) **Date of Patent:** **** Apr. 30, 2002**

(54) **DISC PLAYER COMBINED WITH RADIO RECEIVER AND TAPE RECORDER**

D442,160 S 5/2001 Tsuchiya
D442,574 S 5/2001 Ishii

(75) Inventor: **Satoshi Suzuki**, Tokyo (JP)

(73) Assignee: **Sony Corporation**, Tokyo (JP)

(**) Term: **14 Years**

(21) Appl. No.: **29/140,912**

(22) Filed: **Apr. 27, 2001**

(51) **LOC (7) Cl.** **14-99**

(52) **U.S. Cl.** **D14/217; D14/168**

(58) **Field of Search** D14/135-136,
D14/156-157, 160-165, 167-168, 170-172,
188-189, 191-198, 215-217, 260, 265,
299; 369/75.1, 75.2, 77.1, 77.2; 455/344,
347, 350-351

(56) **References Cited**

U.S. PATENT DOCUMENTS

D363,705 S	*	10/1995	Yamazak	D14/299
D416,559 S	*	11/1999	Hoyt et al.	D14/217
D420,000 S		2/2000	Yoneda		
D423,506 S	*	4/2000	Gates	D14/217
D425,066 S	*	5/2000	Bould	D14/217
D426,224 S		6/2000	Yoneda		
D427,190 S	*	6/2000	Bertrand	D14/299
D430,551 S		9/2000	Shiono		
D436,103 S		1/2001	Yamada et al.		
D440,550 S		4/2001	Nakano		

OTHER PUBLICATIONS

Catalog "MD-CD System", p. 10, Sony Corporation (Nov. 2000).

Home page "CD Radio cassette (CSD-EX150)", 2 pgs., Aiwa (1999-2000).

* cited by examiner

Primary Examiner—Nanda Bondade

(74) *Attorney, Agent, or Firm*—Rader, Fishman & Grauer, PLLC

(57) **CLAIM**

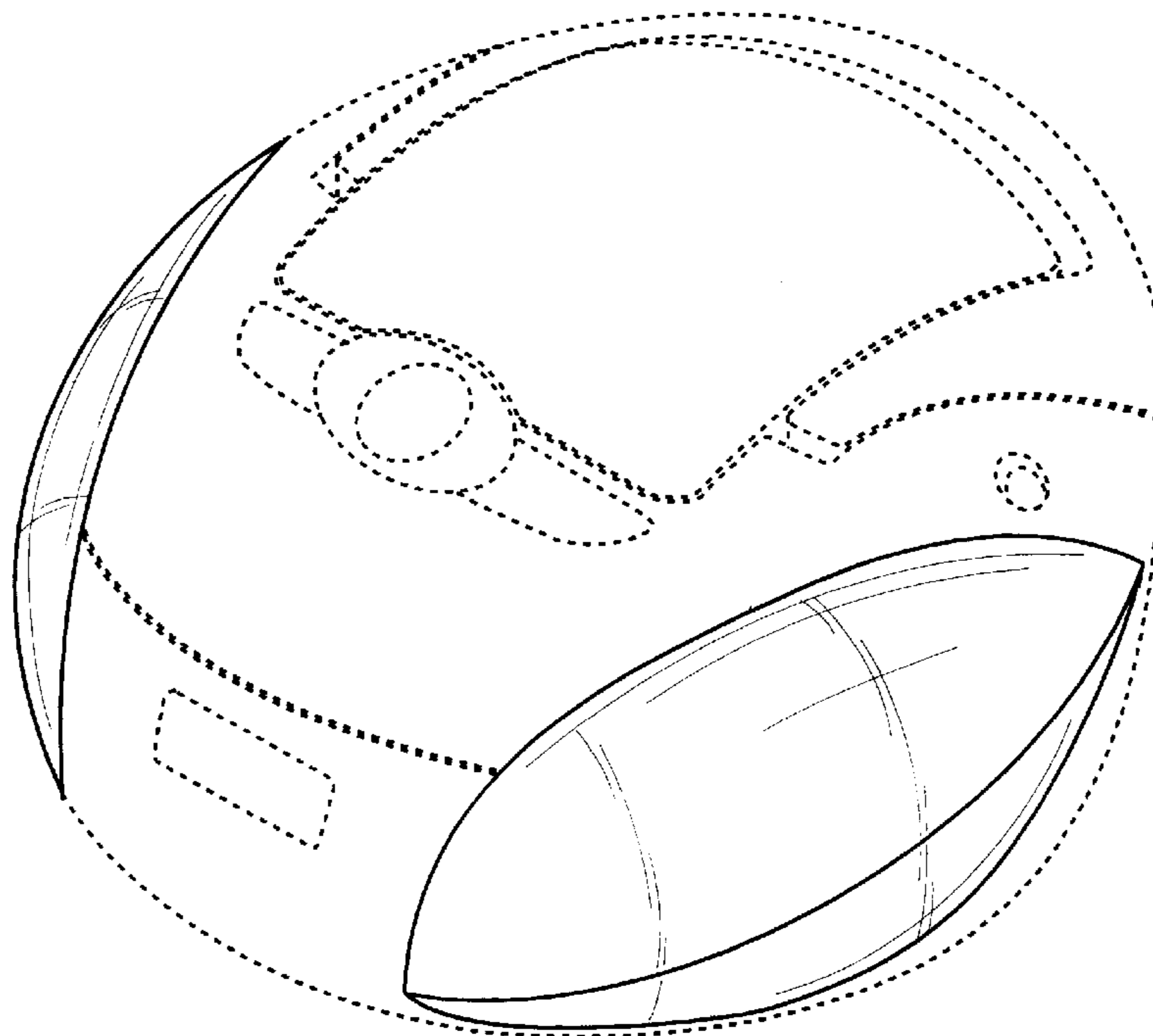
The ornamental design for a disc player combined with radio receiver and tape recorder, as shown and described.

DESCRIPTION

FIG. 1 is a perspective view of a disc player combined with radio receiver and tape recorder showing my new design; FIG. 2 is a front elevational view thereof; FIG. 3 is a rear elevational view thereof; FIG. 4 is a left side elevational view thereof; FIG. 5 is a right side elevational view thereof; FIG. 6 is a top plan view thereof; and, FIG. 7 is a bottom plan view thereof.

The broken line showing on FIGS. 1-7 is for illustrative purposes only and forms no part of claimed design.

1 Claim, 4 Drawing Sheets



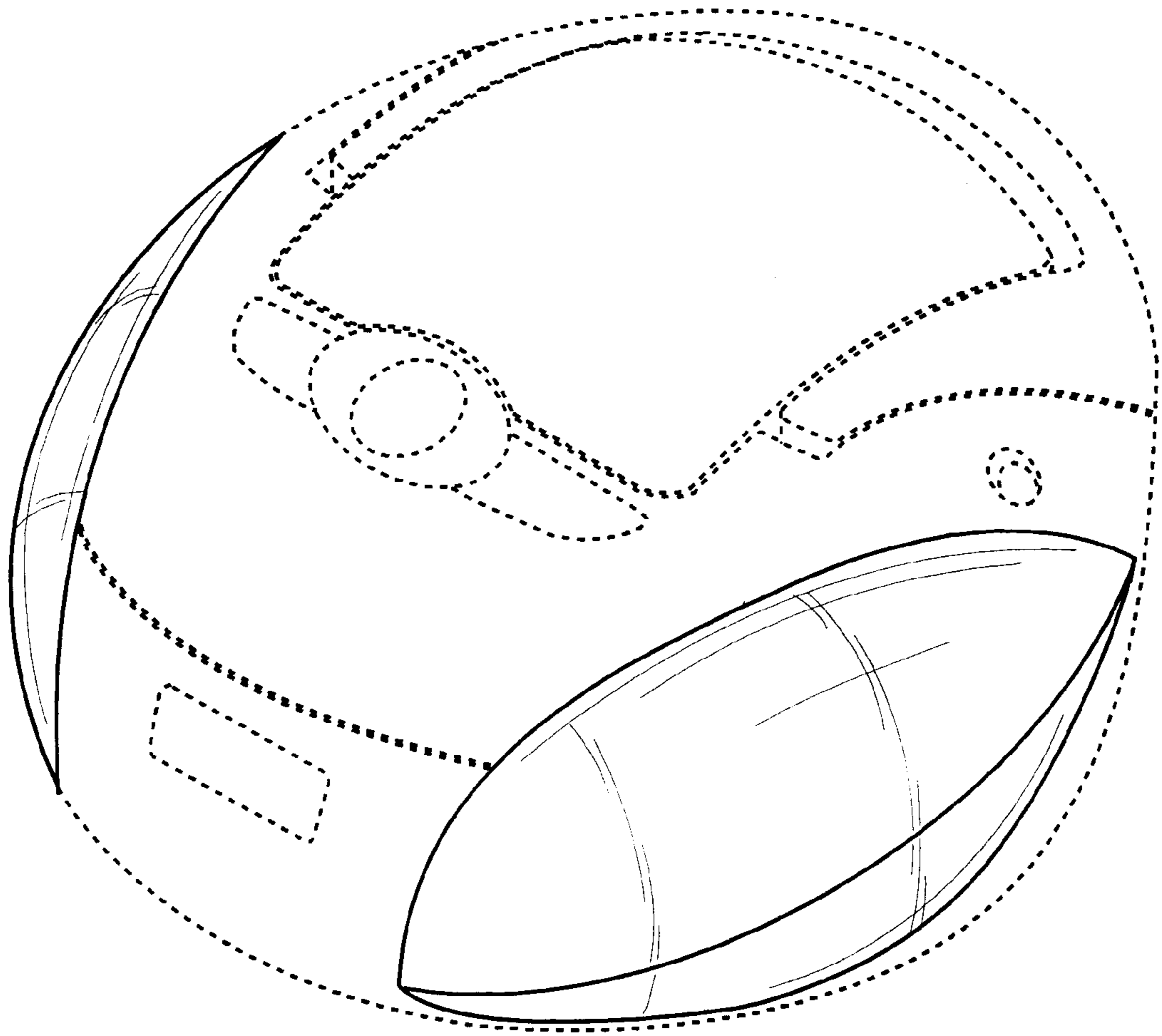


Fig. 1

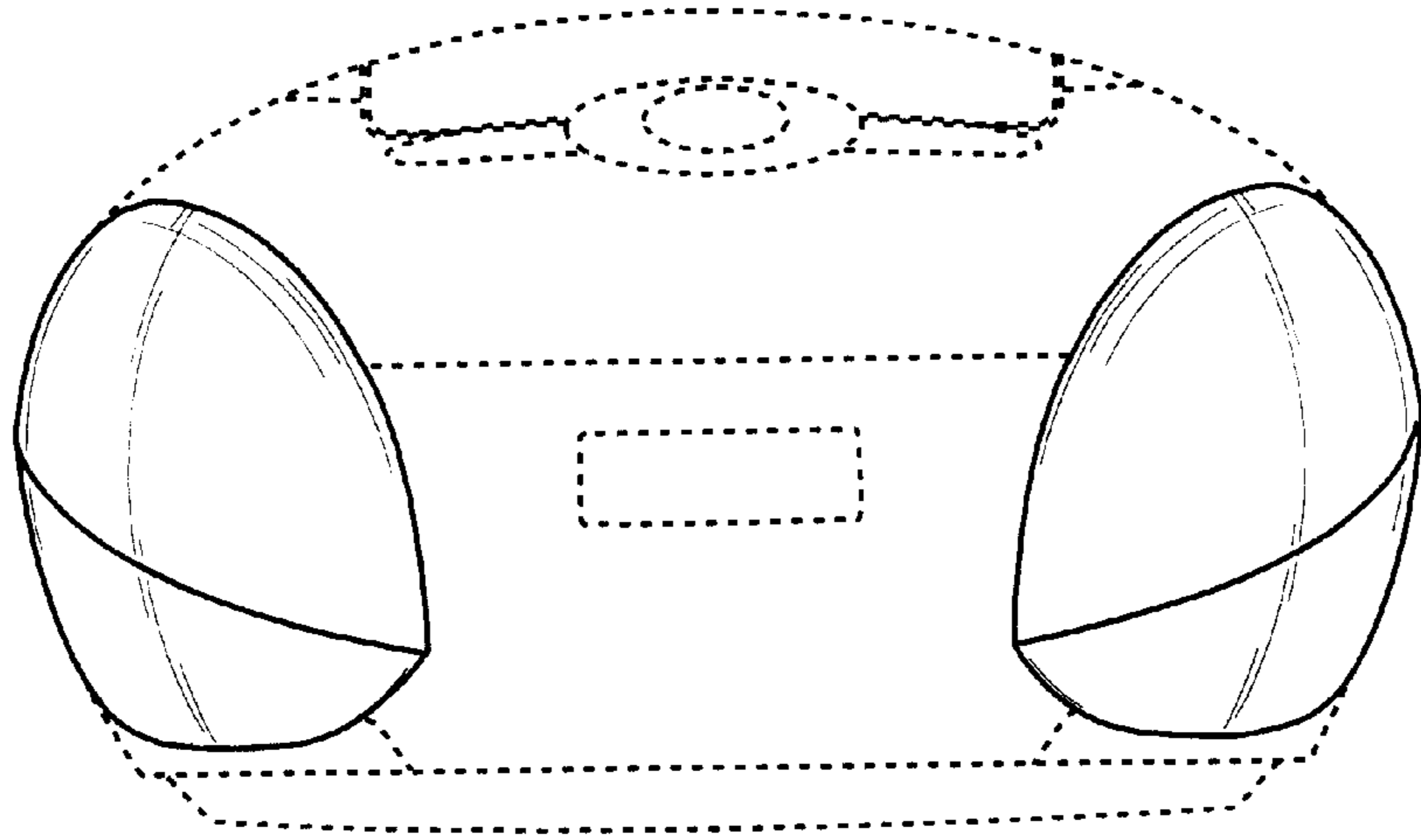


Fig. 2

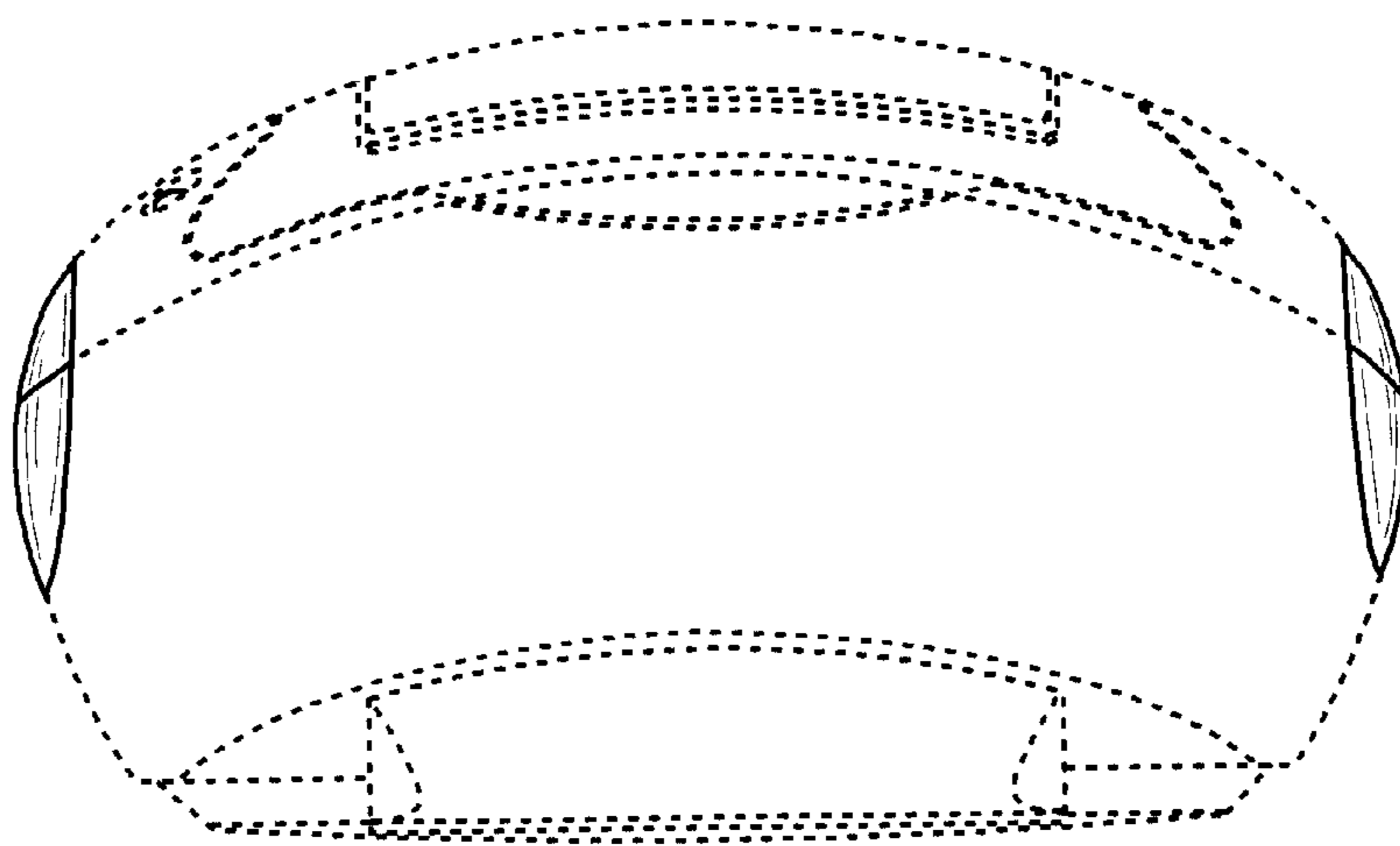


Fig. 3

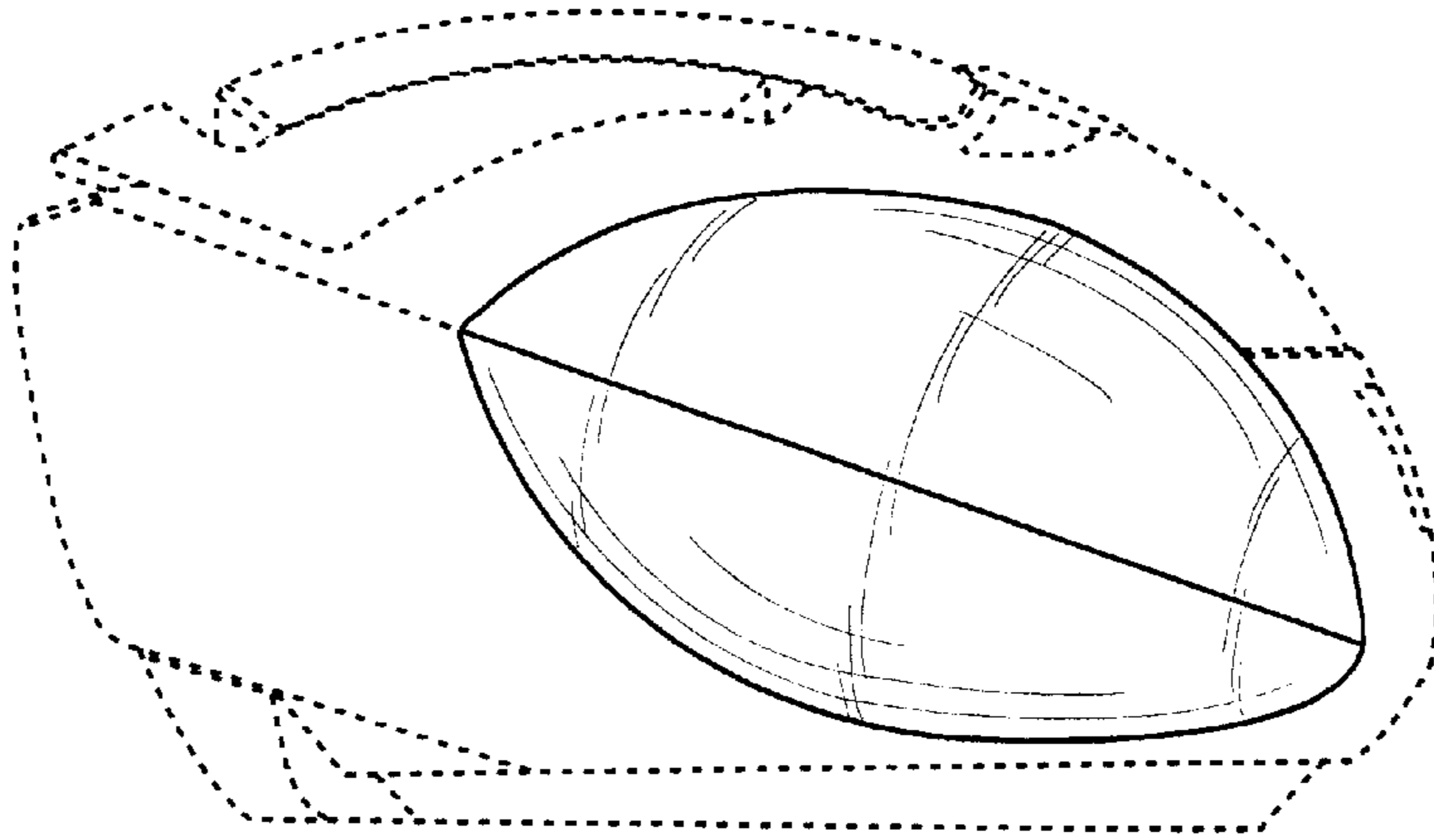


Fig. 4

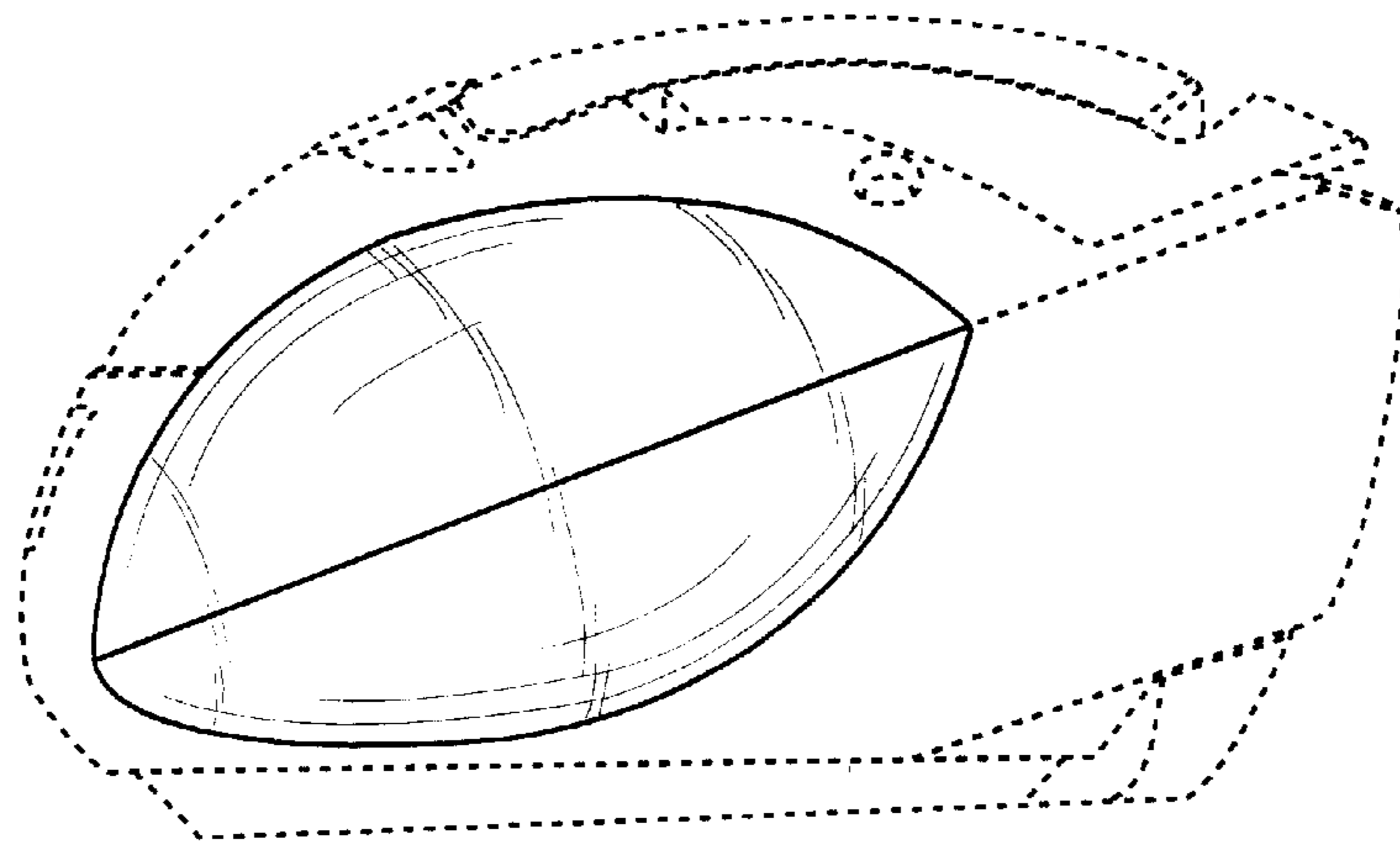


Fig. 5

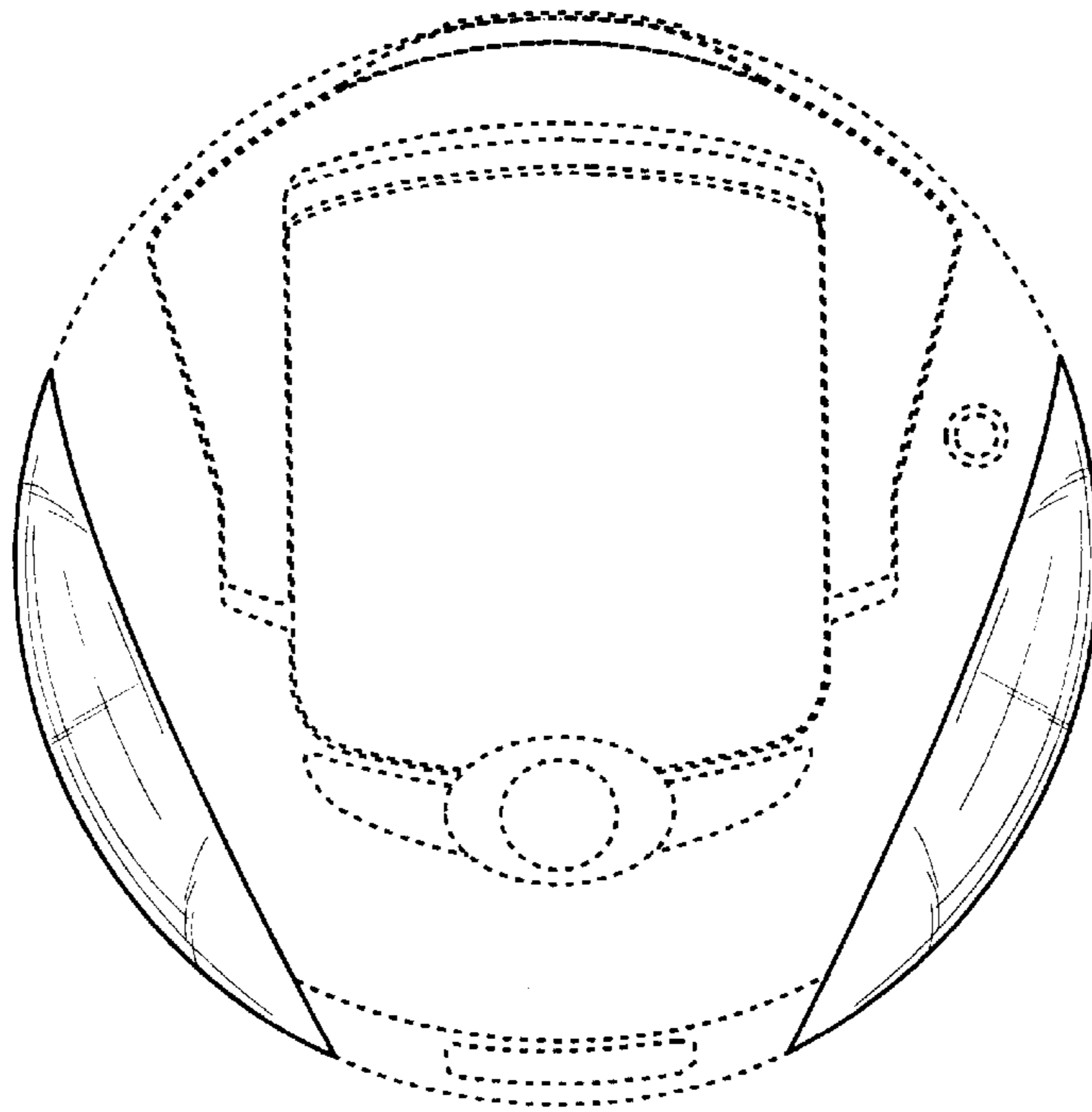


Fig. 6

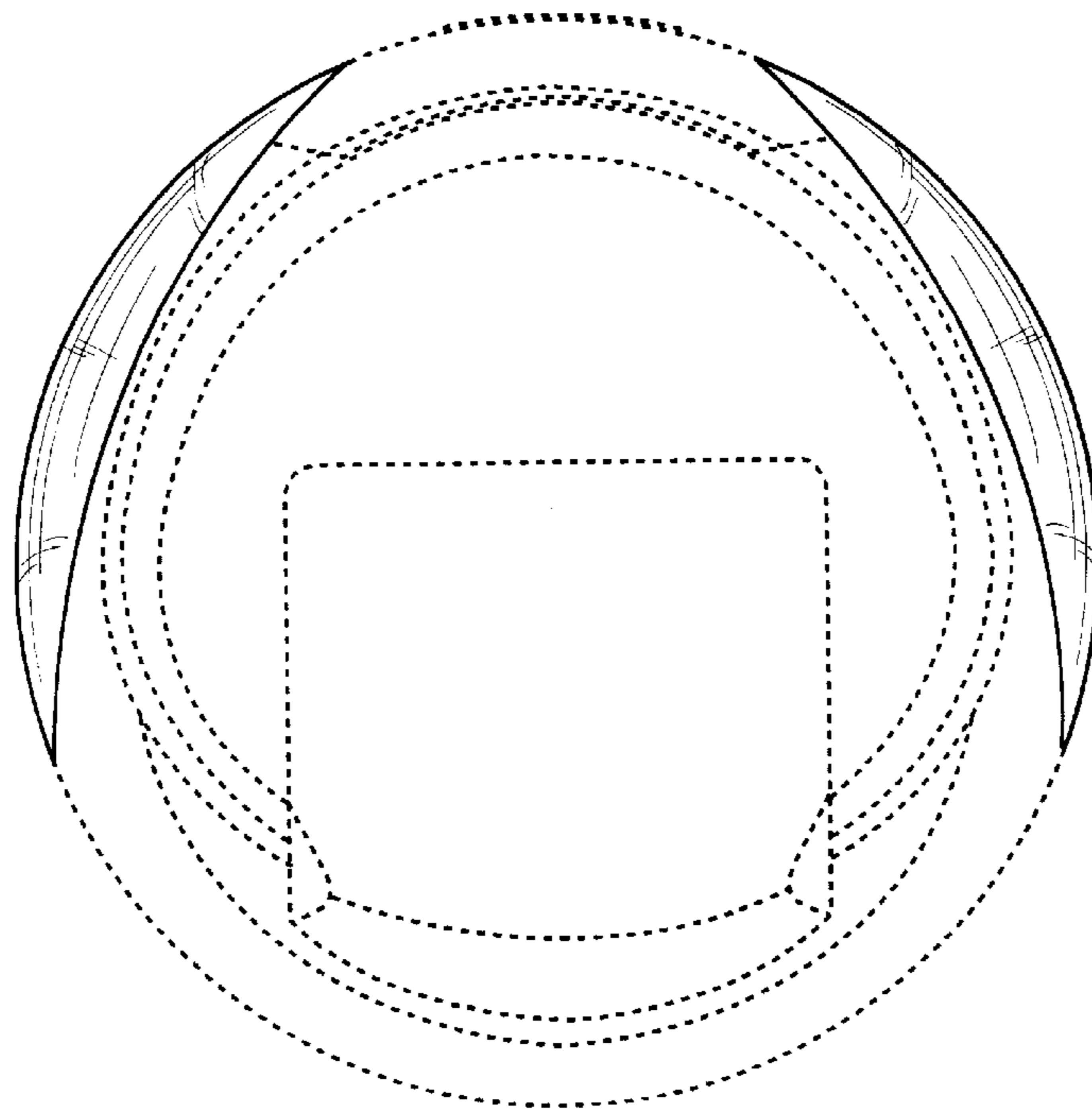


Fig. 7