



US00D456383S

(12) **United States Design Patent**
Chen

(10) **Patent No.:** **US D456,383 S**

(45) **Date of Patent:** **** Apr. 30, 2002**

(54) **FM RADIO**

(75) **Inventor:** **Johnson Chen, Walnut, CA (US)**

(73) **Assignee:** **Unitime International Co., Ltd., Walnut, CA (US)**

(**) **Term:** **14 Years**

(21) **Appl. No.:** **29/142,518**

(22) **Filed:** **May 24, 2001**

(51) **LOC (7) Cl.** **14-03**

(52) **U.S. Cl.** **D14/188**

(58) **Field of Search** D14/188, 198,
D14/204, 216, 215, 195; 455/344, 347-351,
130

(56) **References Cited**

U.S. PATENT DOCUMENTS

D220,544 S * 4/1971 Unger D14/188
D304,944 S * 12/1989 Behringer D14/188
5,040,241 A * 8/1991 Davison 455/347

D325,734 S * 4/1992 Miyai D14/188
D382,307 S * 8/1997 Sahrp, III et al. D14/188
5,946,610 A * 8/1999 Hama 455/351

* cited by examiner

Primary Examiner—Prabhakar Deshmukh

(74) *Attorney, Agent, or Firm*—Pro-Techtor International Services

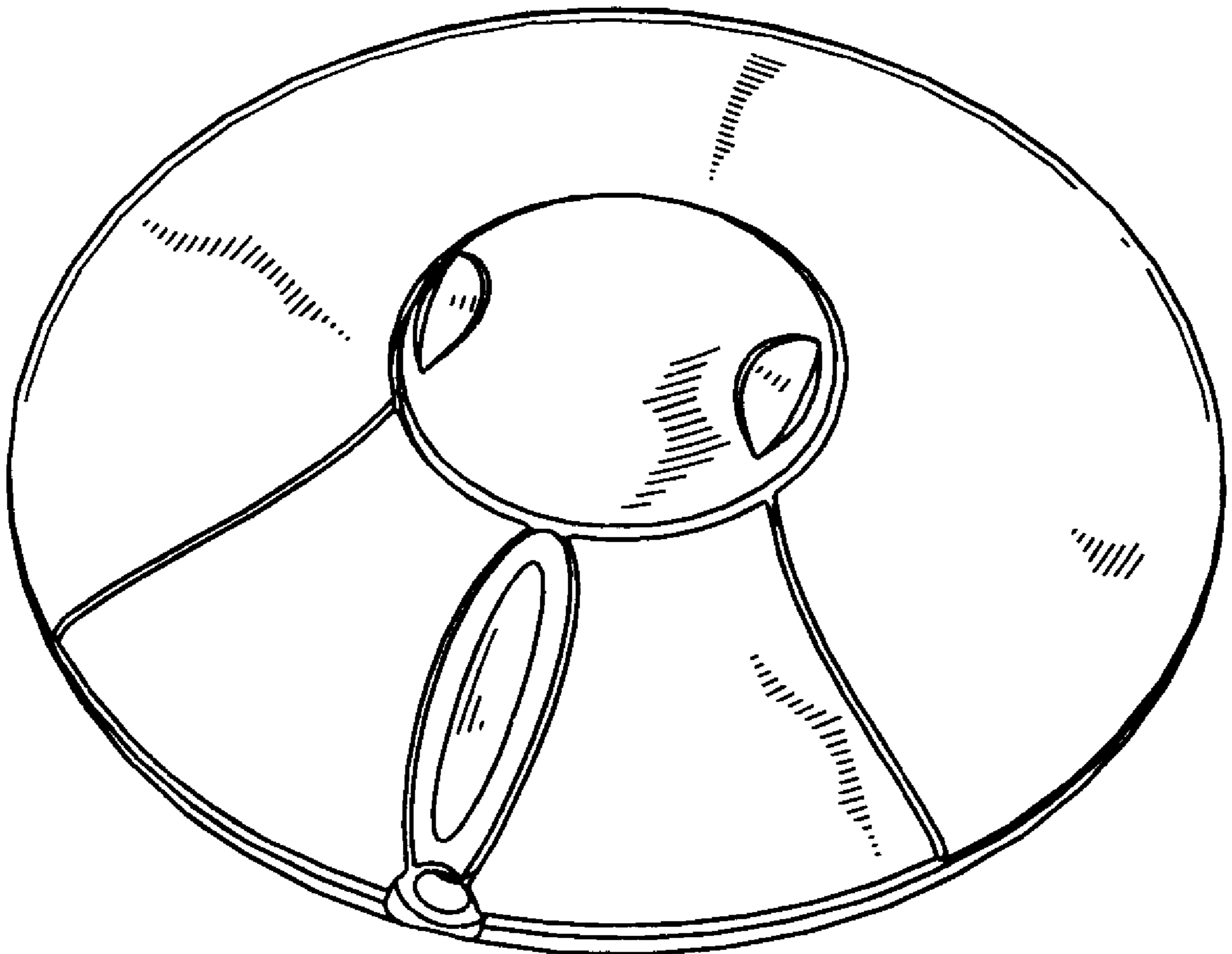
(57) **CLAIM**

The ornamental design for a FM radio, as shown and described.

DESCRIPTION

FIG. 1 is a perspective view of a FM radio showing my new design;
FIG. 2 is a front view of the design;
FIG. 3 is a rear view of the design;
FIG. 4 is a left side view of the design;
FIG. 5 is a right side view of the design;
FIG. 6 is a top view of the design; and,
FIG. 7 is a bottom view of the design.

1 Claim, 3 Drawing Sheets



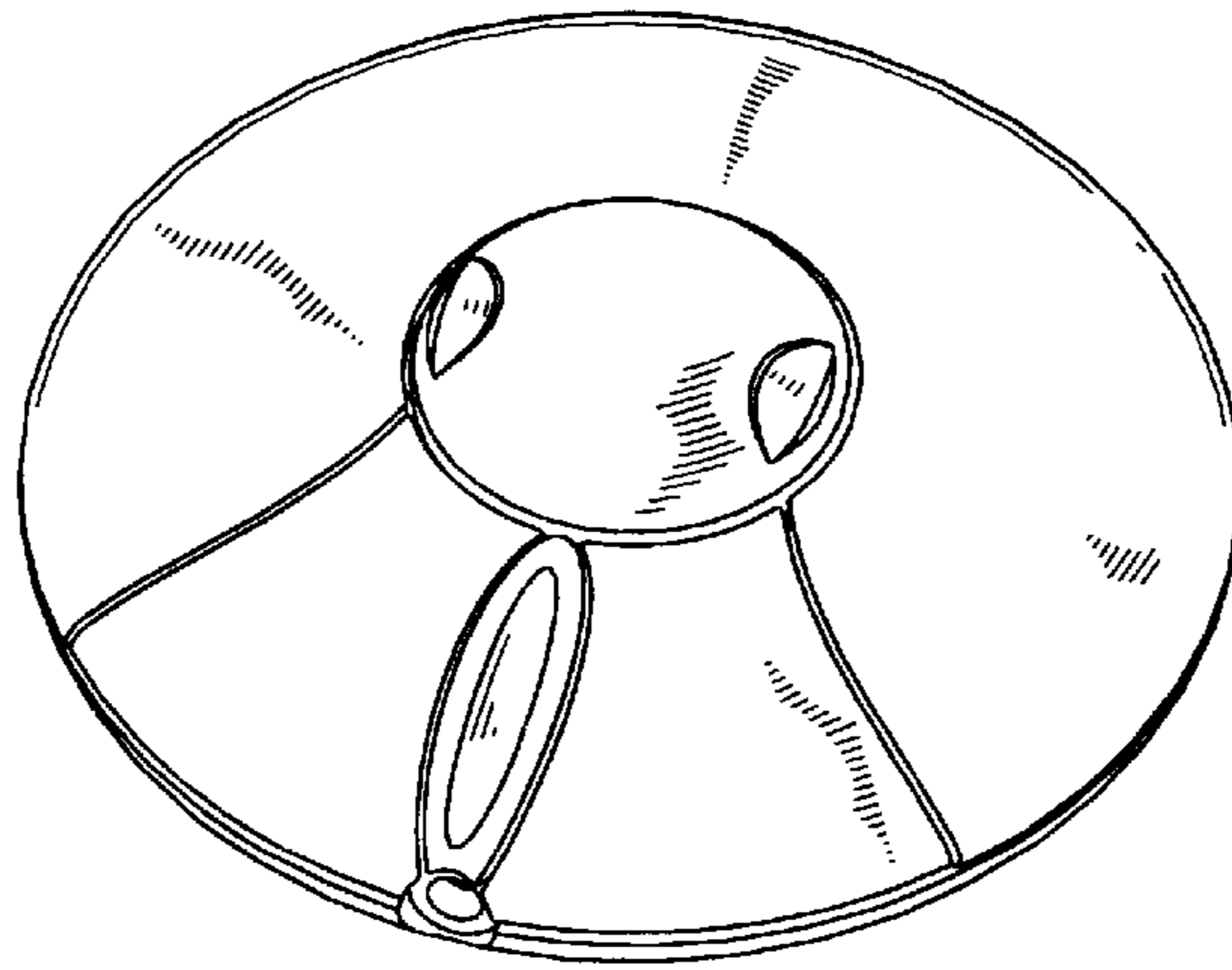


FIG. 1

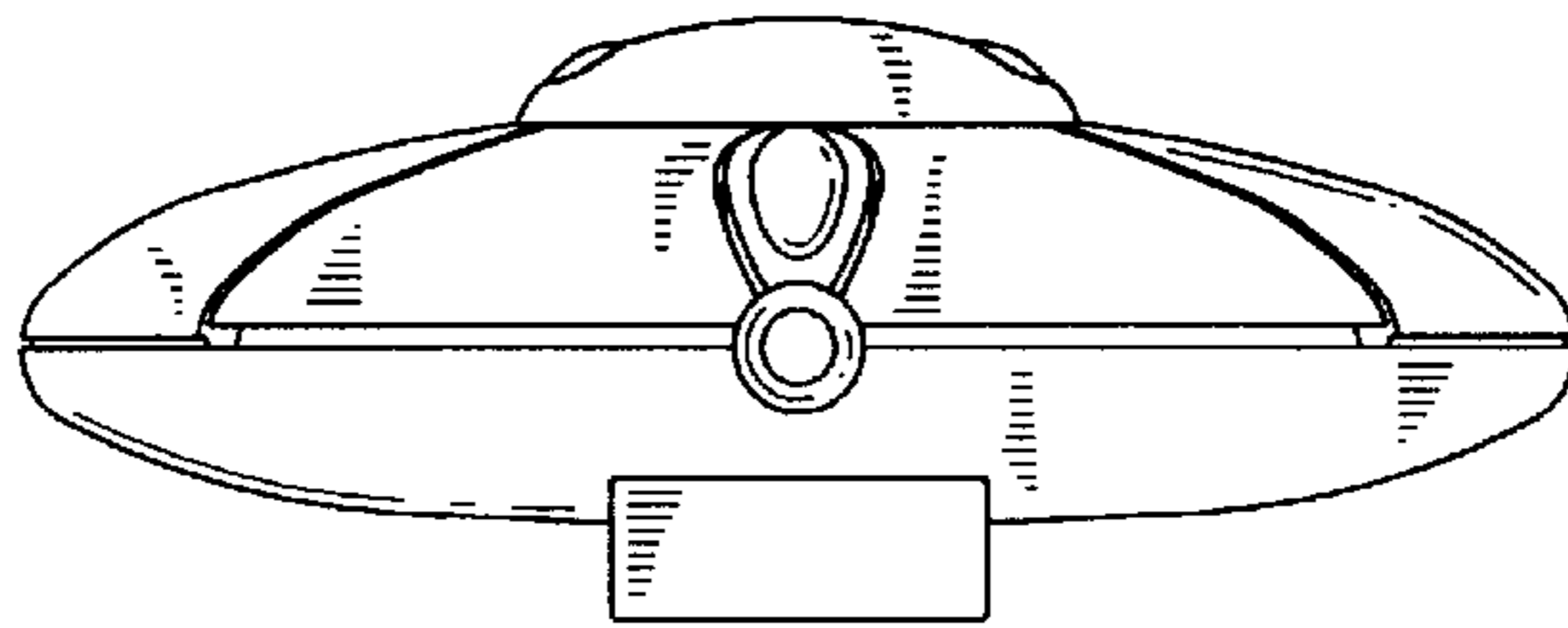


FIG. 2

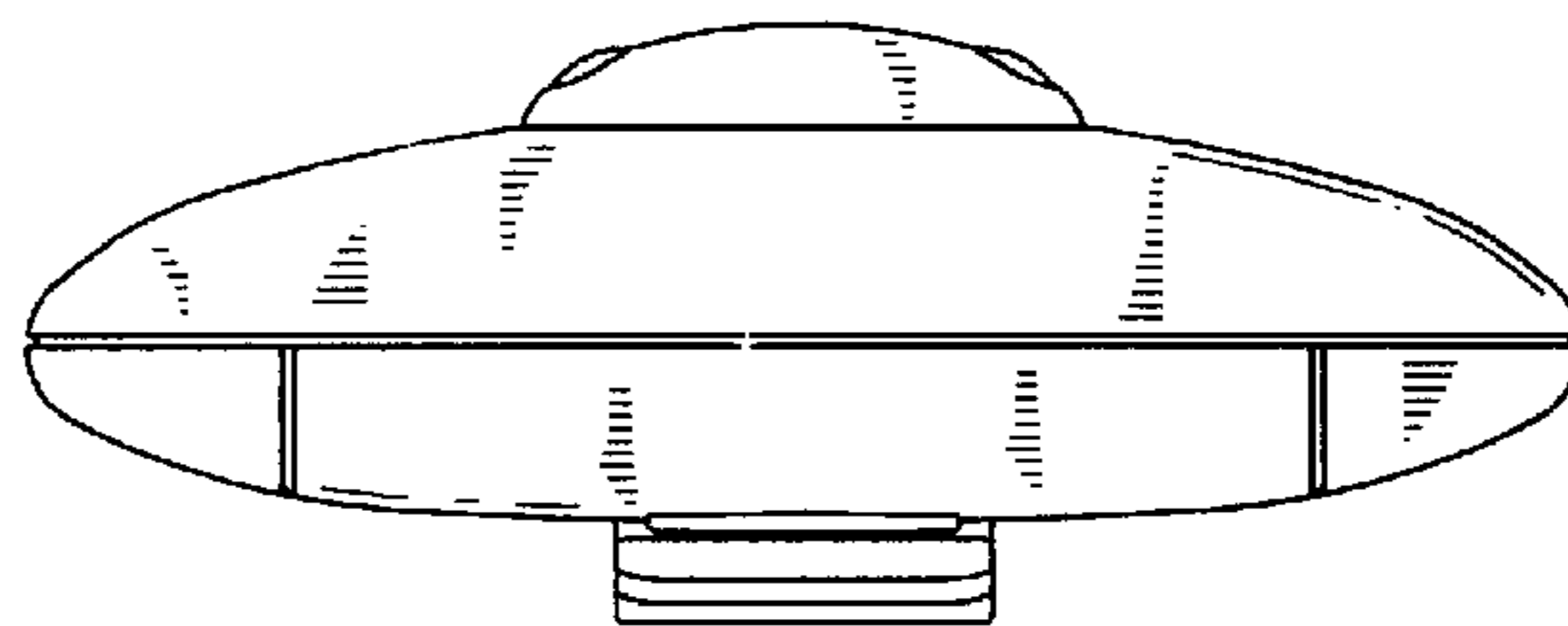


FIG. 3

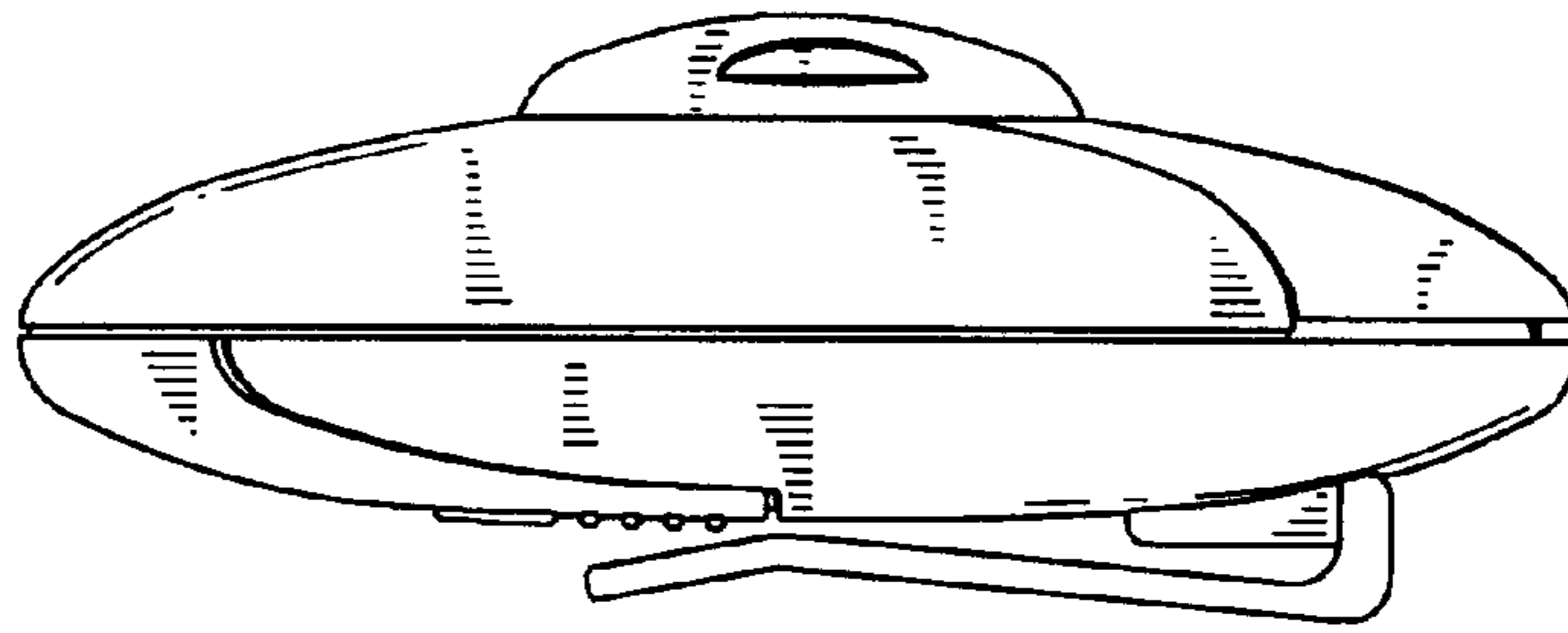


FIG. 4

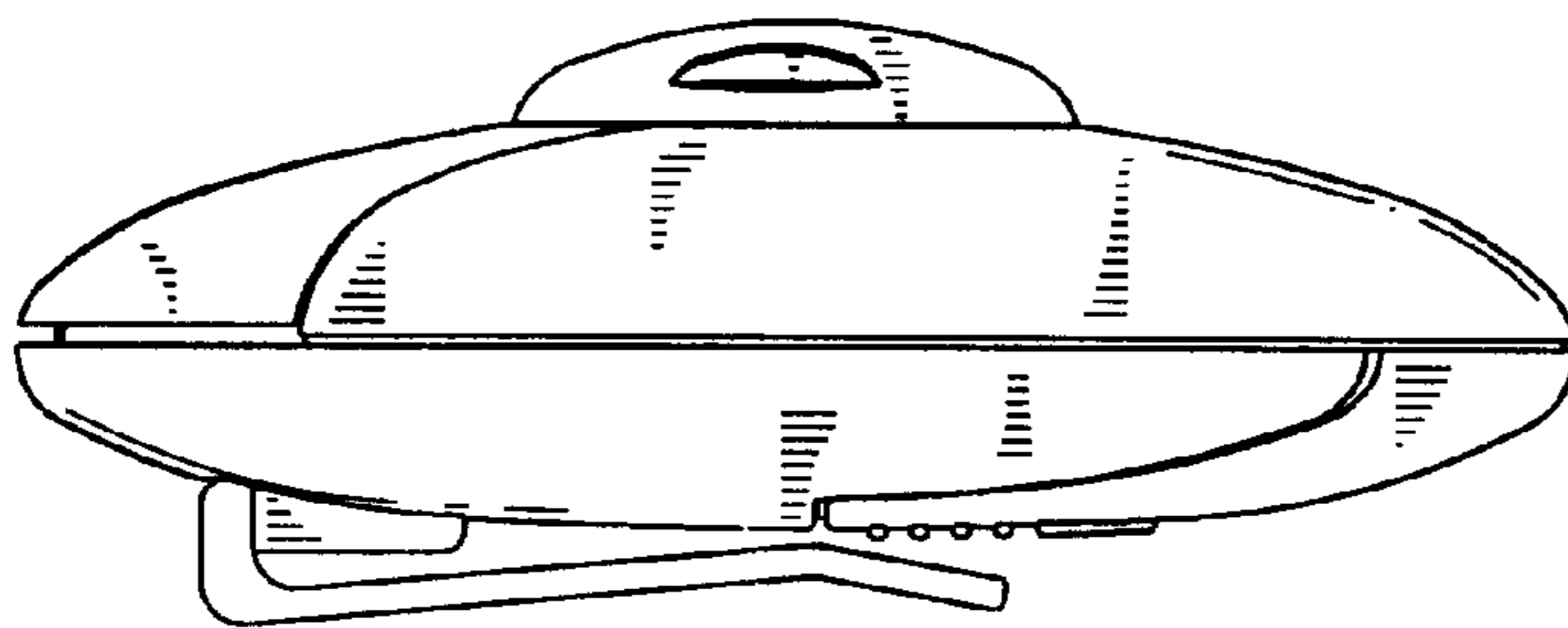


FIG. 5

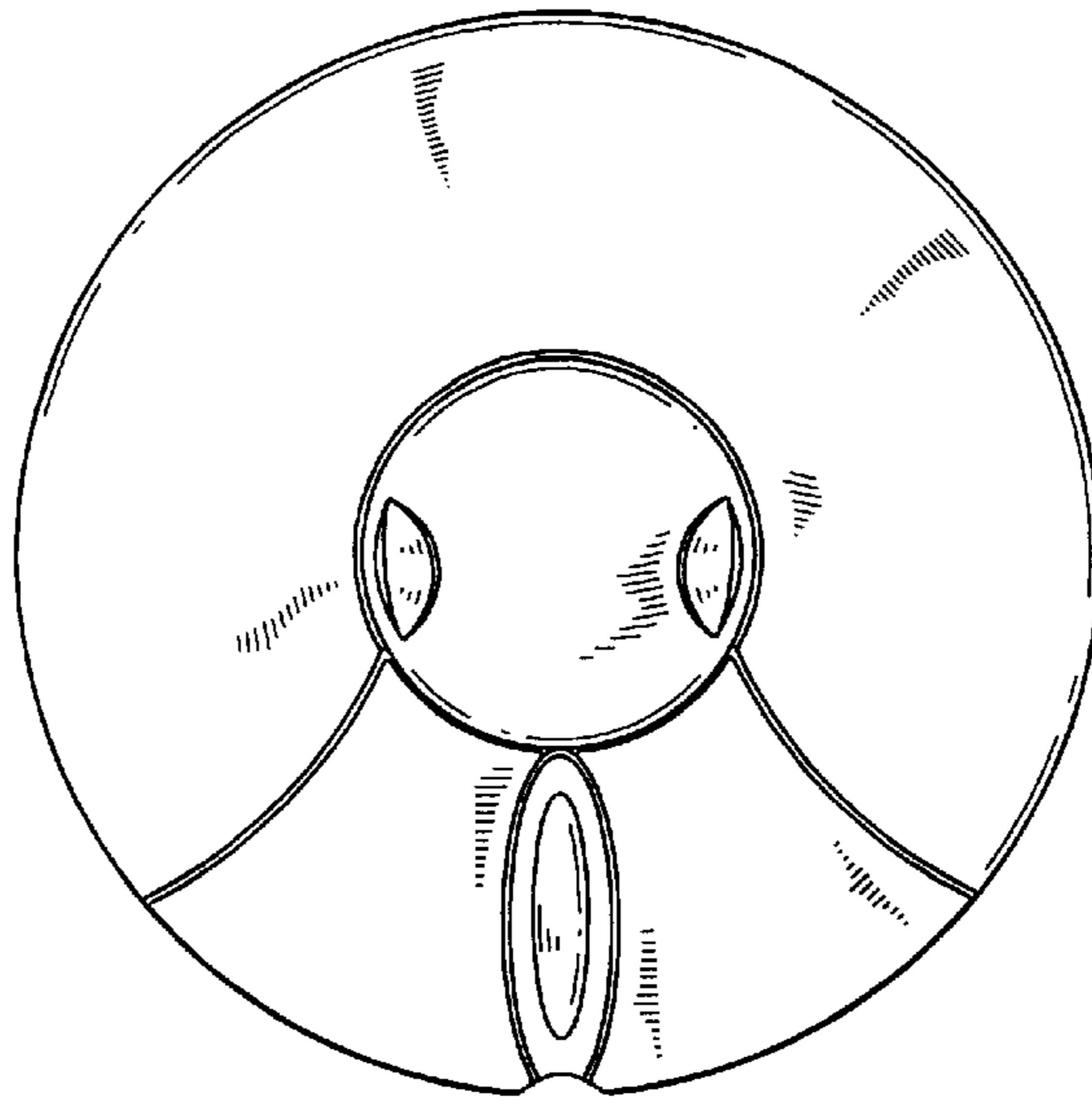


FIG. 6

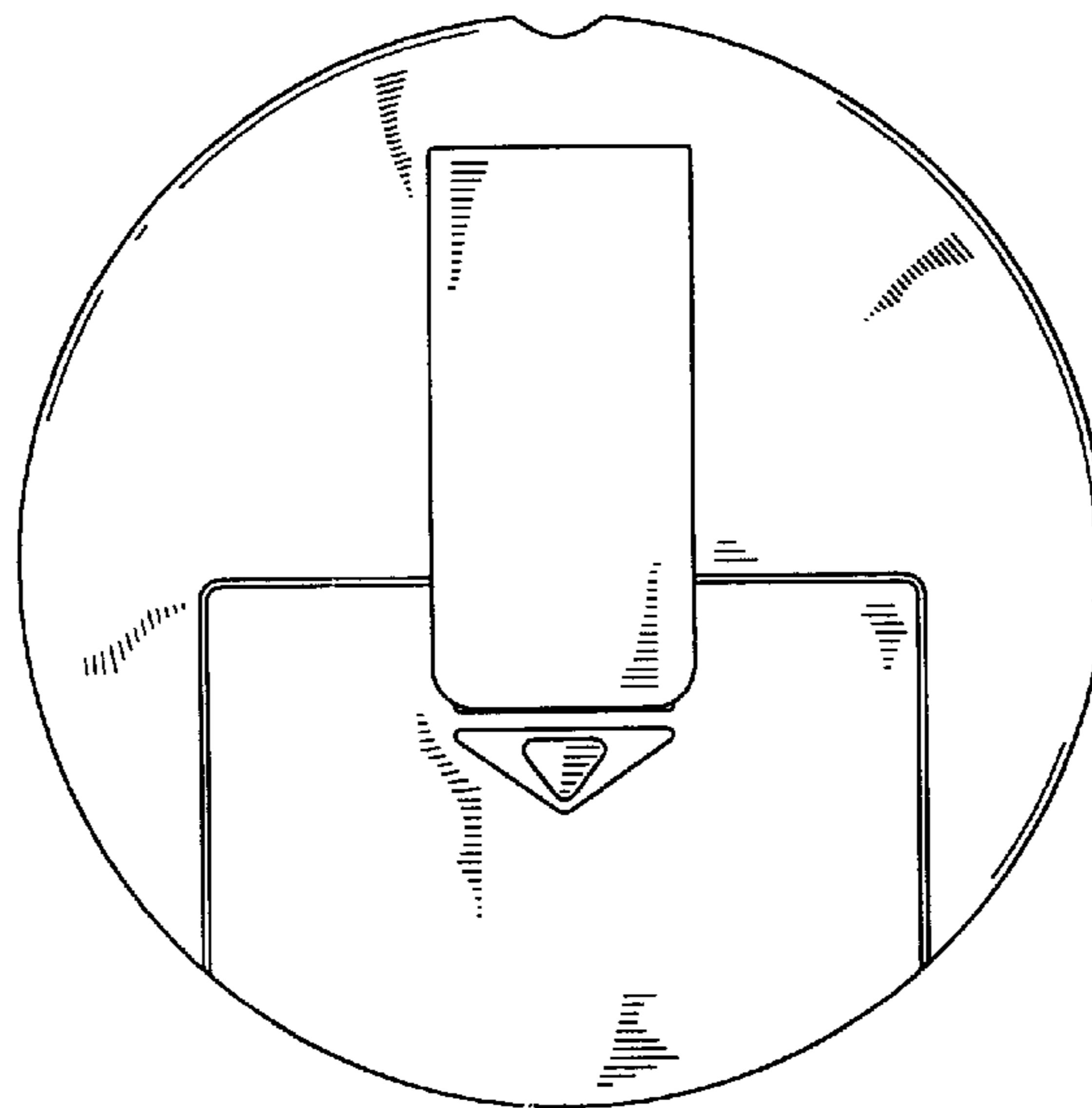


FIG. 7