



US00D456380S

(12) **United States Design Patent**  
**Huang**

(10) **Patent No.:** **US D456,380 S**

(45) **Date of Patent:** **\*\* Apr. 30, 2002**

(54) **TELEPHONE BODY AND KEYPAD**

(76) Inventor: **Gerald Huang**, 17208 Horst Ave.,  
Cerritos, CA (US) 90703

(\*\*) Term: **14 Years**

(21) Appl. No.: **29/136,687**

(22) Filed: **Feb. 6, 2001**

(51) **LOC (7) Cl.** ..... **14-03**

(52) **U.S. Cl.** ..... **D14/150**

(58) **Field of Search** ..... D14/137, 147-148,  
D14/150, 247-248, 152, 144, 143, 153;  
379/433.01-433.13, 419, 434, 435, 436,  
428.01-428.04, 420.01-420.04, 440, 424;  
455/90, 550-575

(56) **References Cited**

**U.S. PATENT DOCUMENTS**

1,456,501	A	*	5/1923	Glunt	.....	379/436
1,508,424	A	*	9/1924	Thompson	.....	379/424
D81,474	S	*	7/1930	Bernhard	.....	D14/152
D81,562	S	*	7/1930	Vassos	.....	D14/153
1,894,016	A	*	1/1933	Blount	.....	379/436
2,040,646	A	*	5/1936	Erickson	.....	379/354
D109,123	S	*	4/1938	Bregman	.....	D14/153
D210,379	S	*	3/1968	Perkins	.....	D14/153
3,553,388	A	*	1/1971	Mirrer	.....	379/369
D224,911	S	*	10/1972	Perkins	.....	D14/152

D230,159	S	*	1/1974	Ginaro et al.	.....	D14/153
D243,096	S	*	1/1977	Perkins	.....	D14/153
D247,670	S	*	4/1978	Brown	.....	D14/153
D276,155	S	*	10/1984	Marzovilli	.....	D14/153
D279,980	S	*	8/1985	Tremblay	.....	D14/153
D329,430	S	*	9/1992	Tung	.....	D14/150
D350,542	S	*	9/1994	Tung	.....	D14/150
D353,138	S	*	12/1994	Huang	.....	D14/150
D364,867	S	*	12/1995	Tung	.....	D14/150
D395,307	S	*	6/1998	Cummings et al.	.....	D14/150

\* cited by examiner

*Primary Examiner*—Jeffrey Asch

(74) *Attorney, Agent, or Firm*—Lawrence S. Cohen

(57) **CLAIM**

The ornamental design for a telephone body and keypad, as shown and described.

**DESCRIPTION**

FIG. 1 is a front elevation view.

FIG. 2 is a right side elevation view.

FIG. 3 is a rear elevation view.

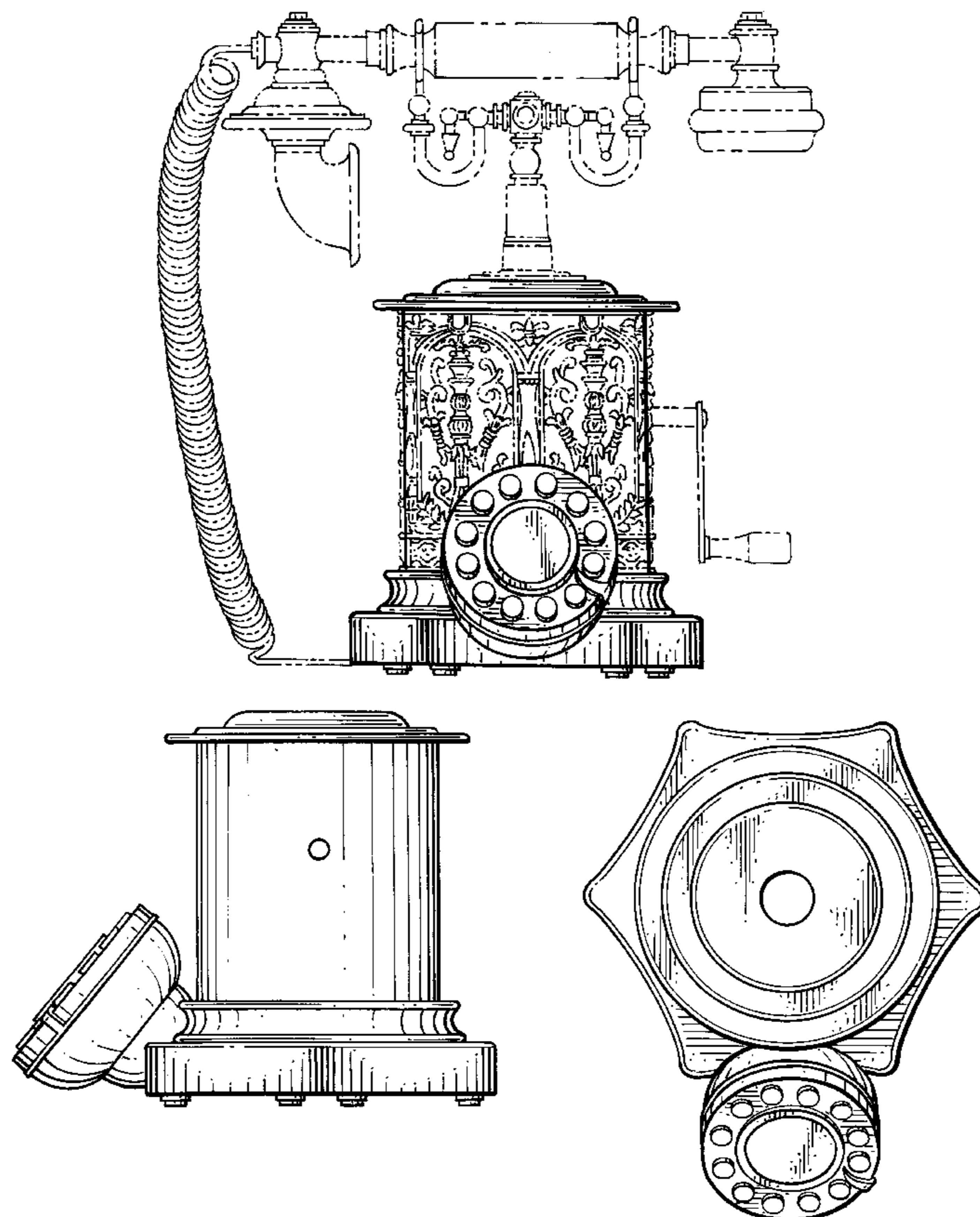
FIG. 4 is a left side elevation view.

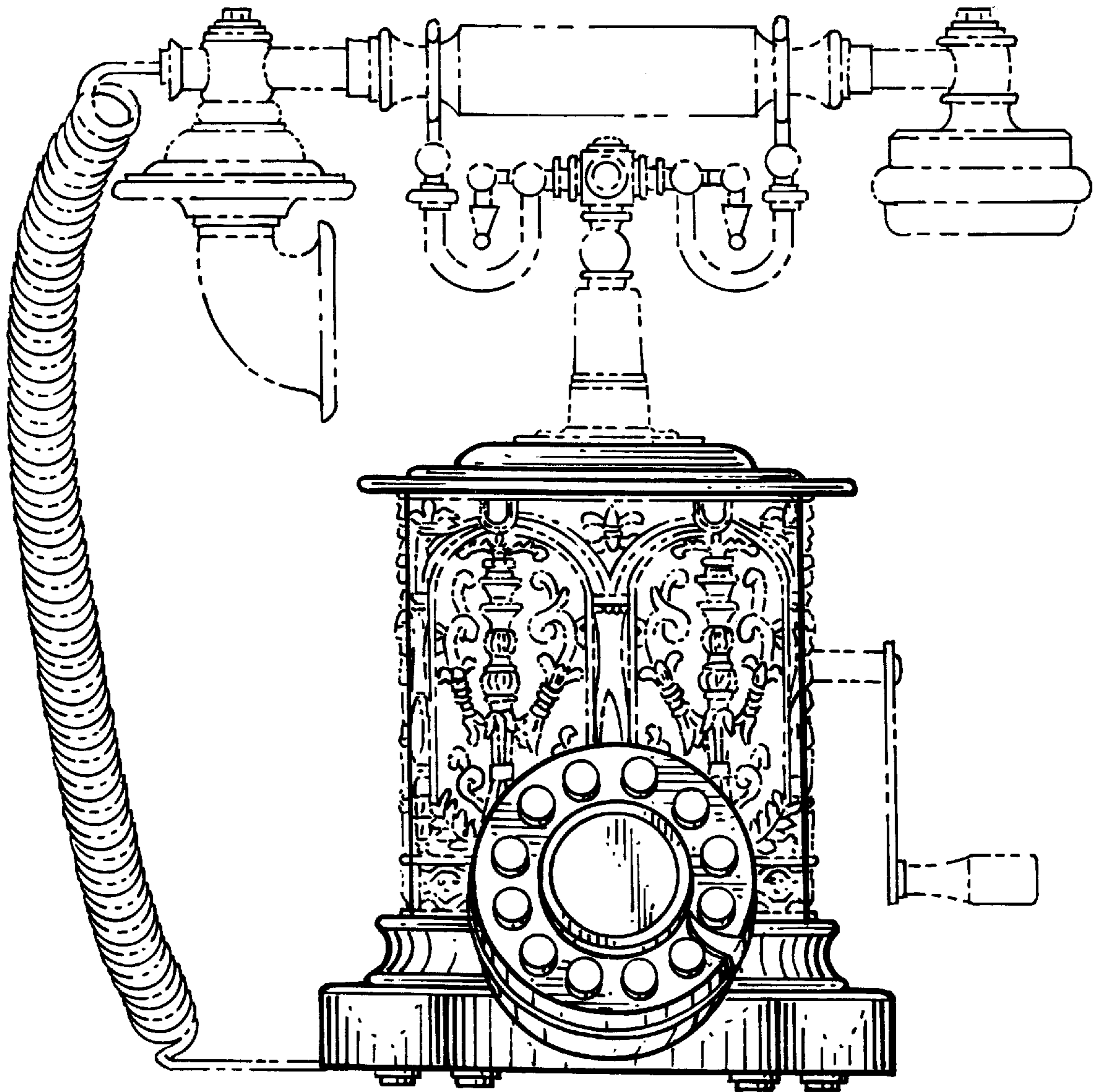
FIG. 5 is a top view; and,

FIG. 6 is a bottom view.

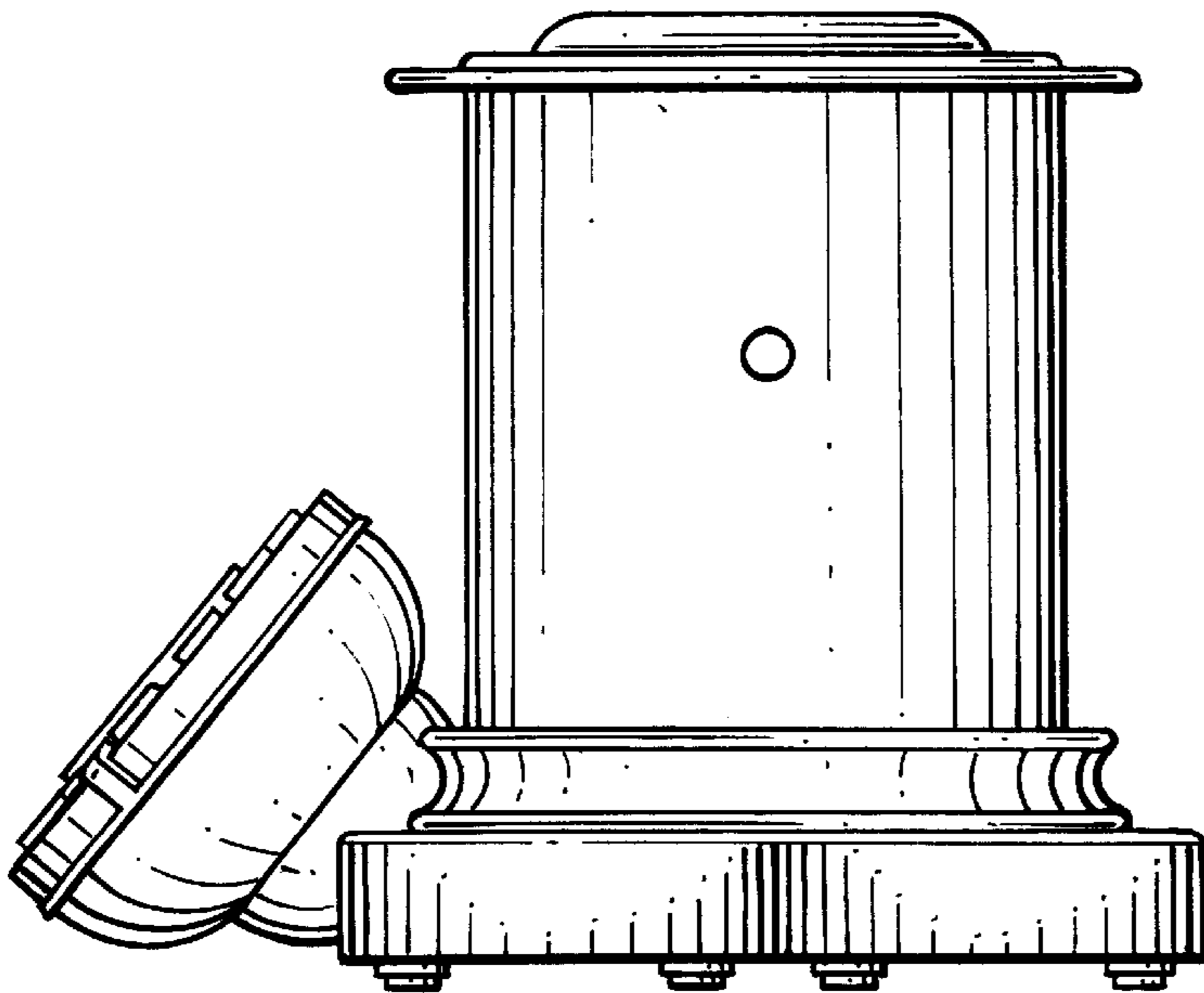
The broken line showings of a crank, handset, cradle, cord, and ornamentation on the body are for illustrative purposes only and form no part of the claimed invention.

**1 Claim, 3 Drawing Sheets**

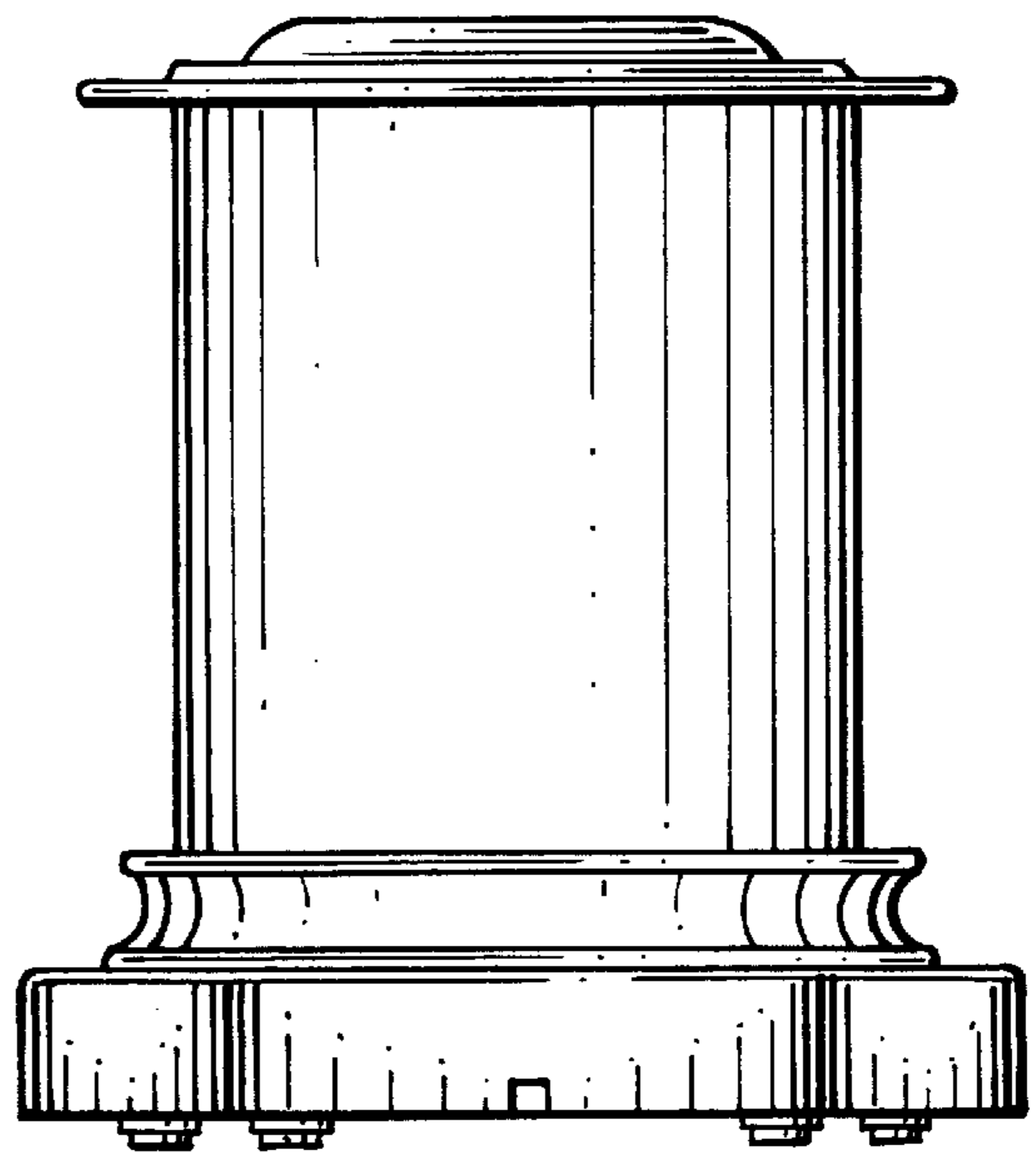




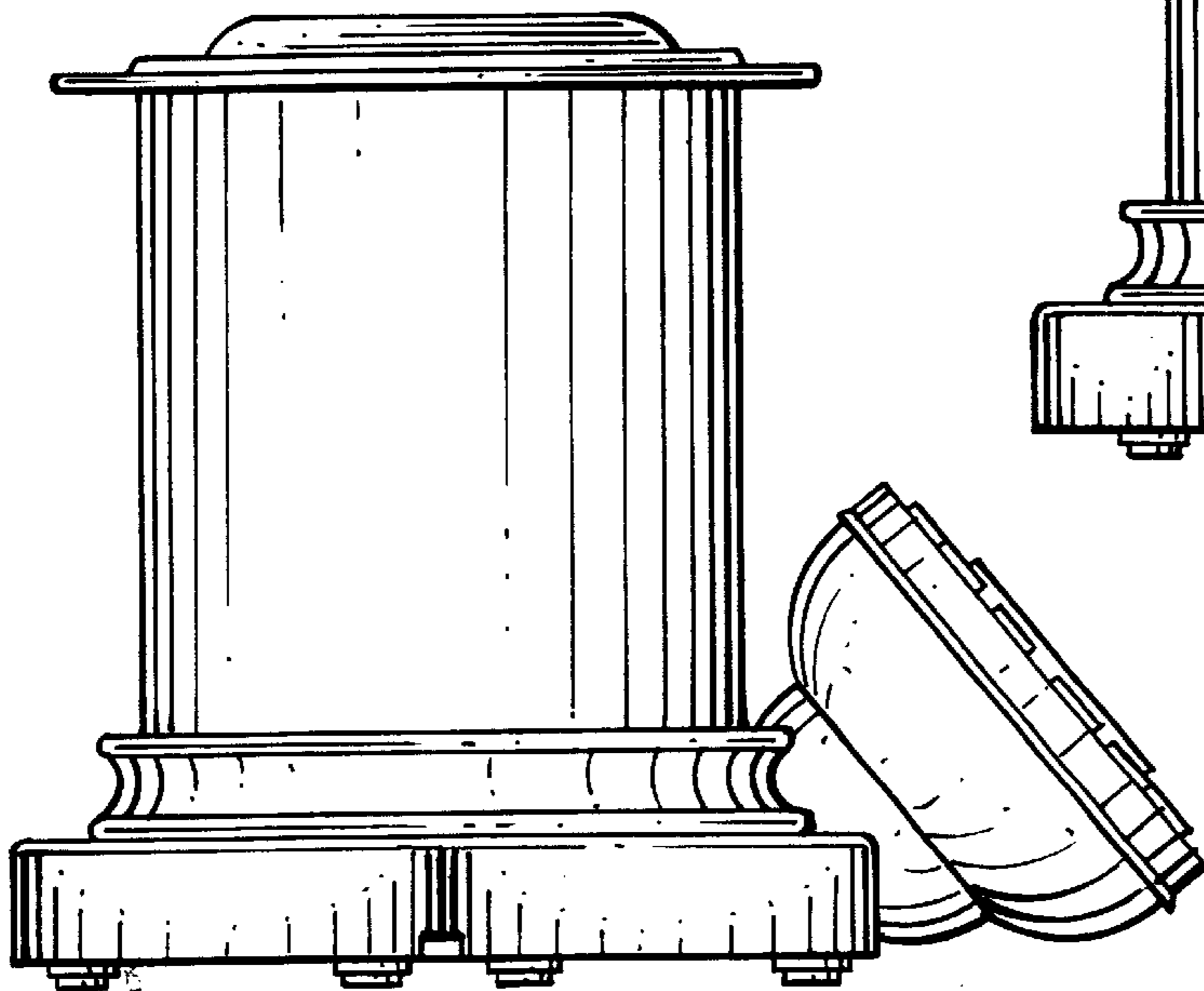
*Fig. 1.*



*Fig. 2.*

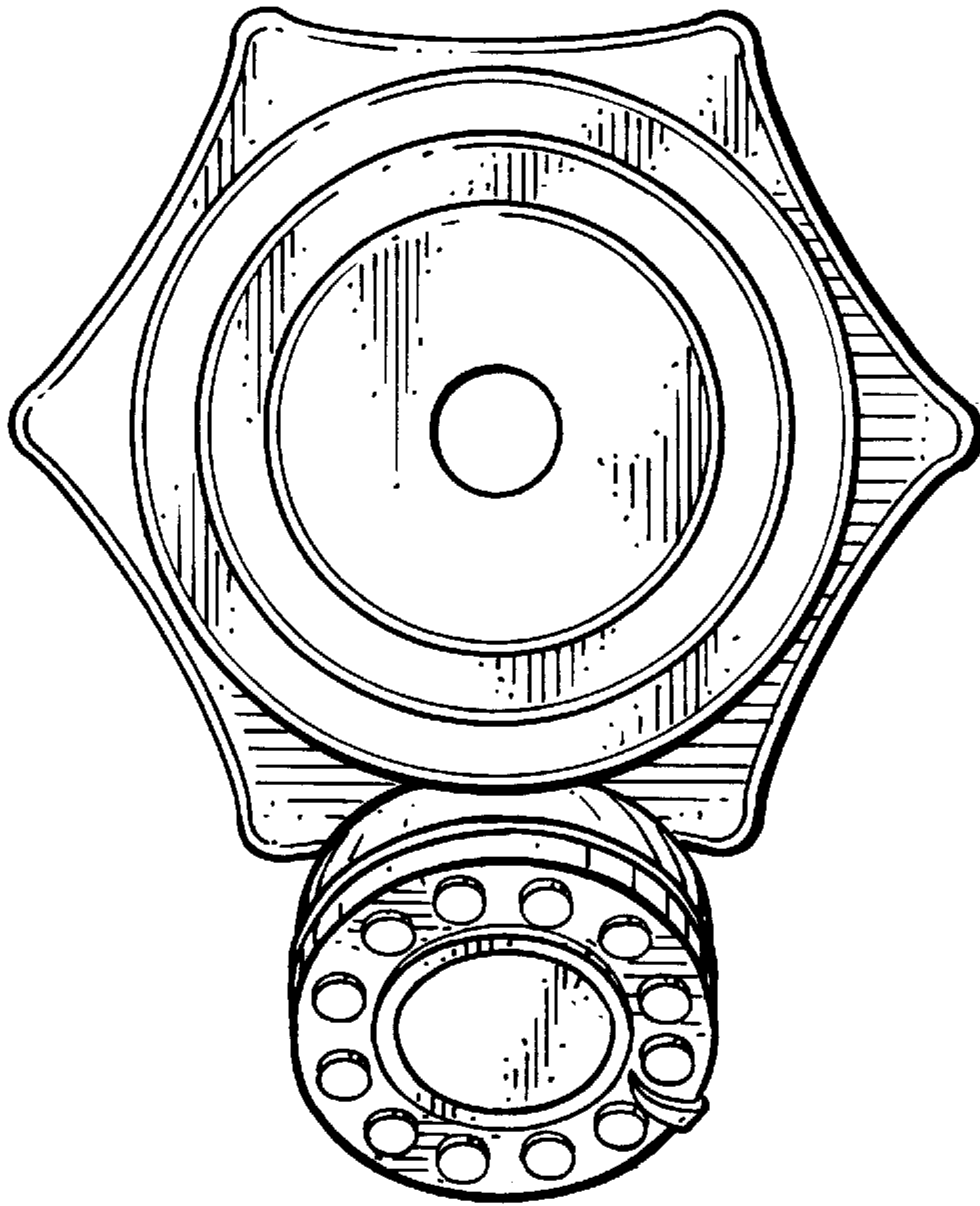


*Fig. 3.*

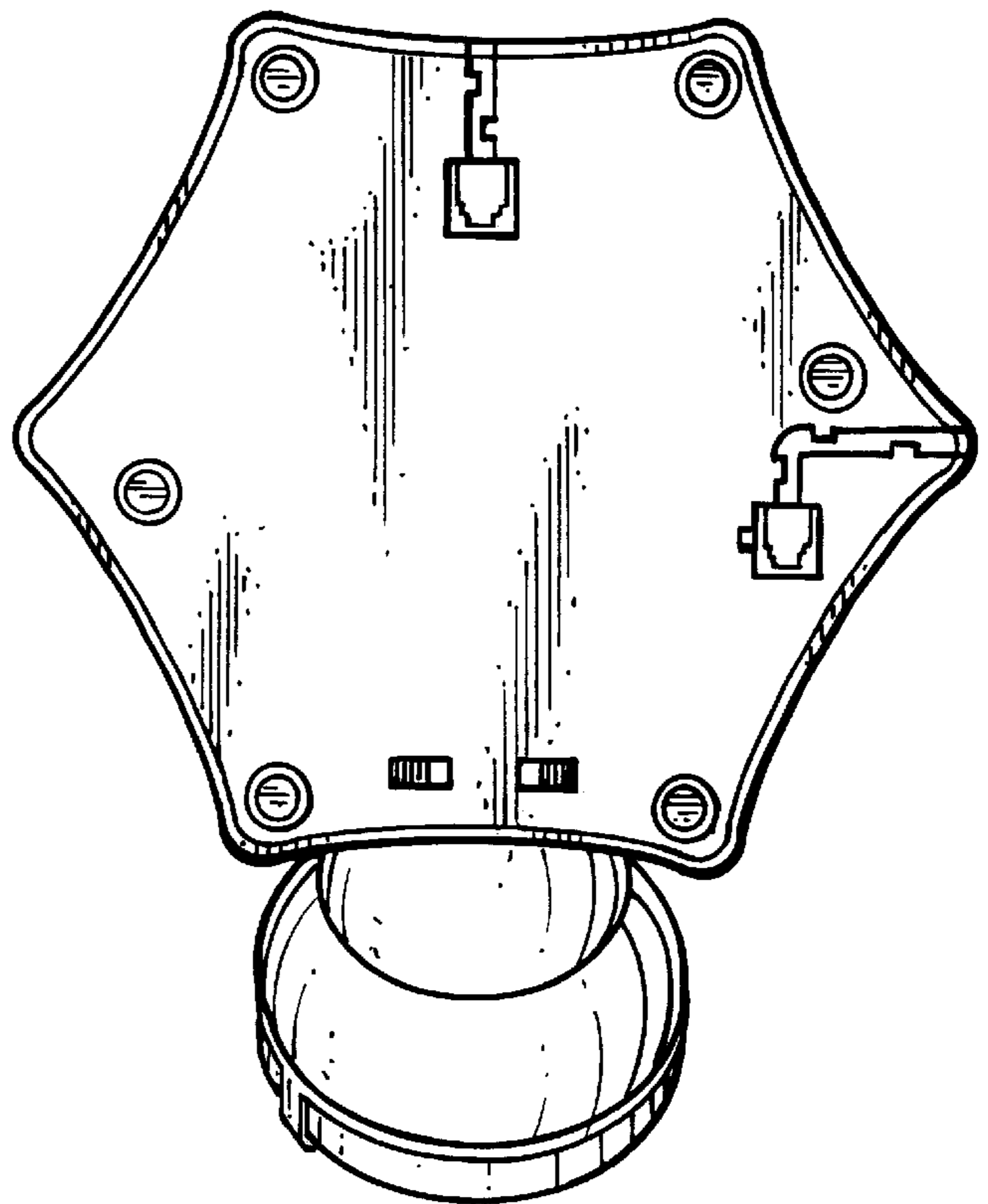


*Fig. 4.*





*Fig. 5.*



*Fig. 6.*