



US00D456371S

(12) **United States Design Patent**
Lavelle et al.

(10) **Patent No.: US D456,371 S**

(45) **Date of Patent: ** Apr. 30, 2002**

(54) **STOWABLE DISPLAY SYSTEM IN A ROTATABLE CONSOLE**

D442,153 S * 5/2001 Lavelle et al. D14/126
D443,255 S * 6/2001 Lavelle et al. D14/126

(75) Inventors: **Patrick M. Lavelle**, Sayville; **George C. Schedivy**, Aquebogue; **James R. Tranchina**, Dix Hills, all of NY (US)

* cited by examiner

Primary Examiner—Raphael Barkai

(74) *Attorney, Agent, or Firm*—F. Chau & Associates, LLP

(73) Assignee: **Audiovox Corporation**, Hauppauge, NY (US)

(57) **CLAIM**

(**) Term: **14 Years**

The ornamental design for a stowable display system in a rotatable console, substantially as shown and described.

(21) Appl. No.: **29/131,750**

DESCRIPTION

(22) Filed: **Oct. 27, 2000**

(51) **LOC (7) Cl.** **14-03**

(52) **U.S. Cl.** **D14/132; D14/126**

(58) **Field of Search** D14/125–136,
D14/239, 371, 374, 315, 327; D12/418,
345, 415; D6/432, 436, 445, 448; 296/37.1,
37.8, 37.7, 70; 224/331, 539; 348/180,
184, 325, 739, 825

FIG. 1 is a perspective view of the stowable display system in a rotatable console in accordance with the present invention, with a display being depicted in a stowed orientation; FIG. 2 is a top view thereof with the display in the stowed orientation;

FIG. 3 is a right-side view thereof with the display in the stowed orientation;

FIG. 4 is a right-side view thereof with the display in a deployed orientation; and

FIG. 5 is a perspective view thereof with the display in a deployed orientation; and,

FIG. 6 is a perspective view of the stowable display system in a rotatable console in accordance with the present invention, with the display system rotated with respect to the console.

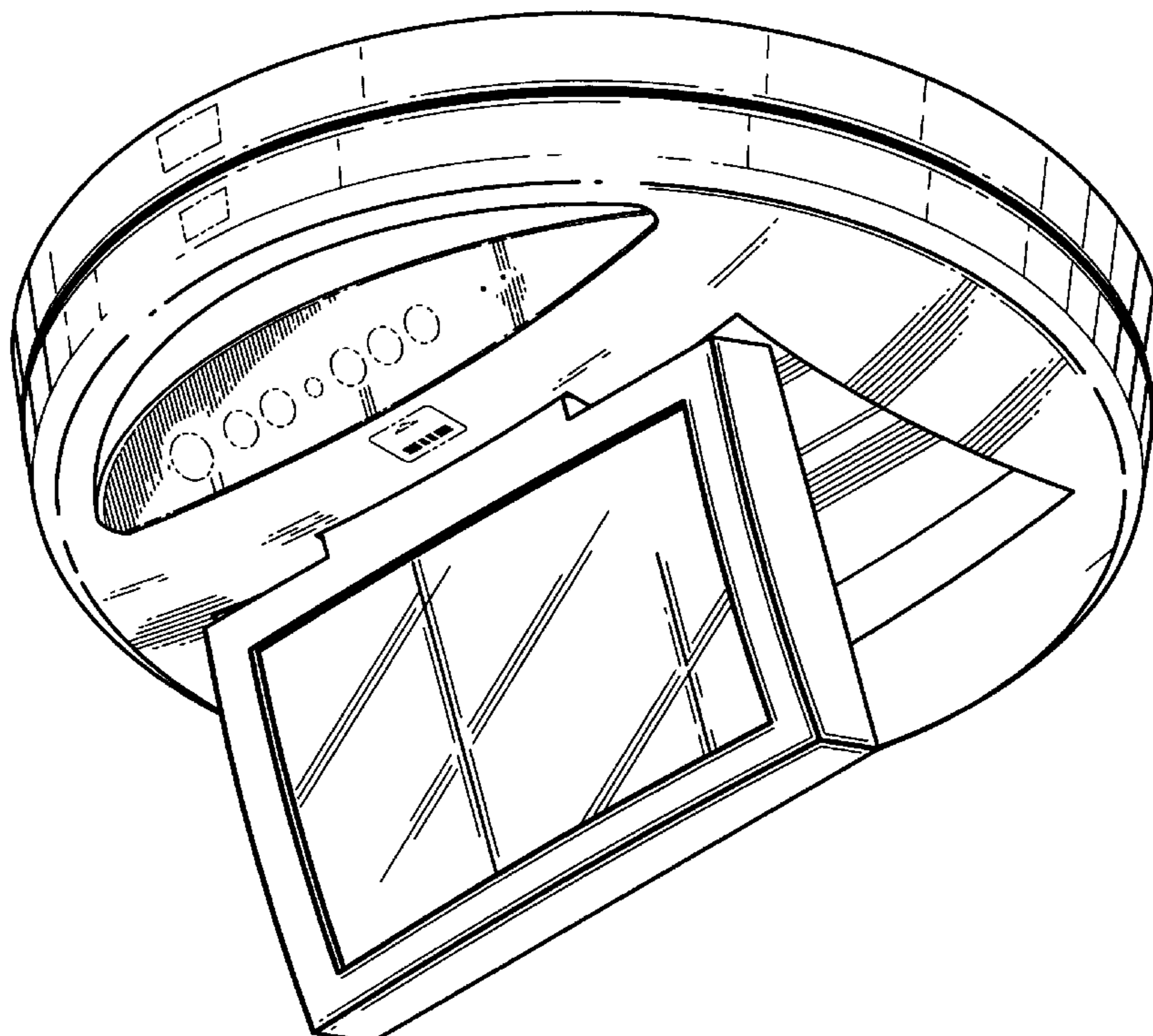
The broken lines shown in FIGS. 1–6 are for illustrative purposes as an environment and form no part of the claimed design.

(56) **References Cited**

U.S. PATENT DOCUMENTS

D324,044 S	*	2/1992	Katayama	D14/129
D330,545 S	*	10/1992	Ashihara	D14/374
D391,926 S	*	3/1998	Brunner	D14/132
D412,701 S	*	8/1999	Cantu	D14/315
D412,892 S	*	8/1999	Lee	D14/126
D413,856 S	*	9/1999	Schribner	D14/132
D416,015 S	*	11/1999	Mitchell	D14/327
D434,762 S	*	12/2000	Ikenaga	D14/371

1 Claim, 5 Drawing Sheets



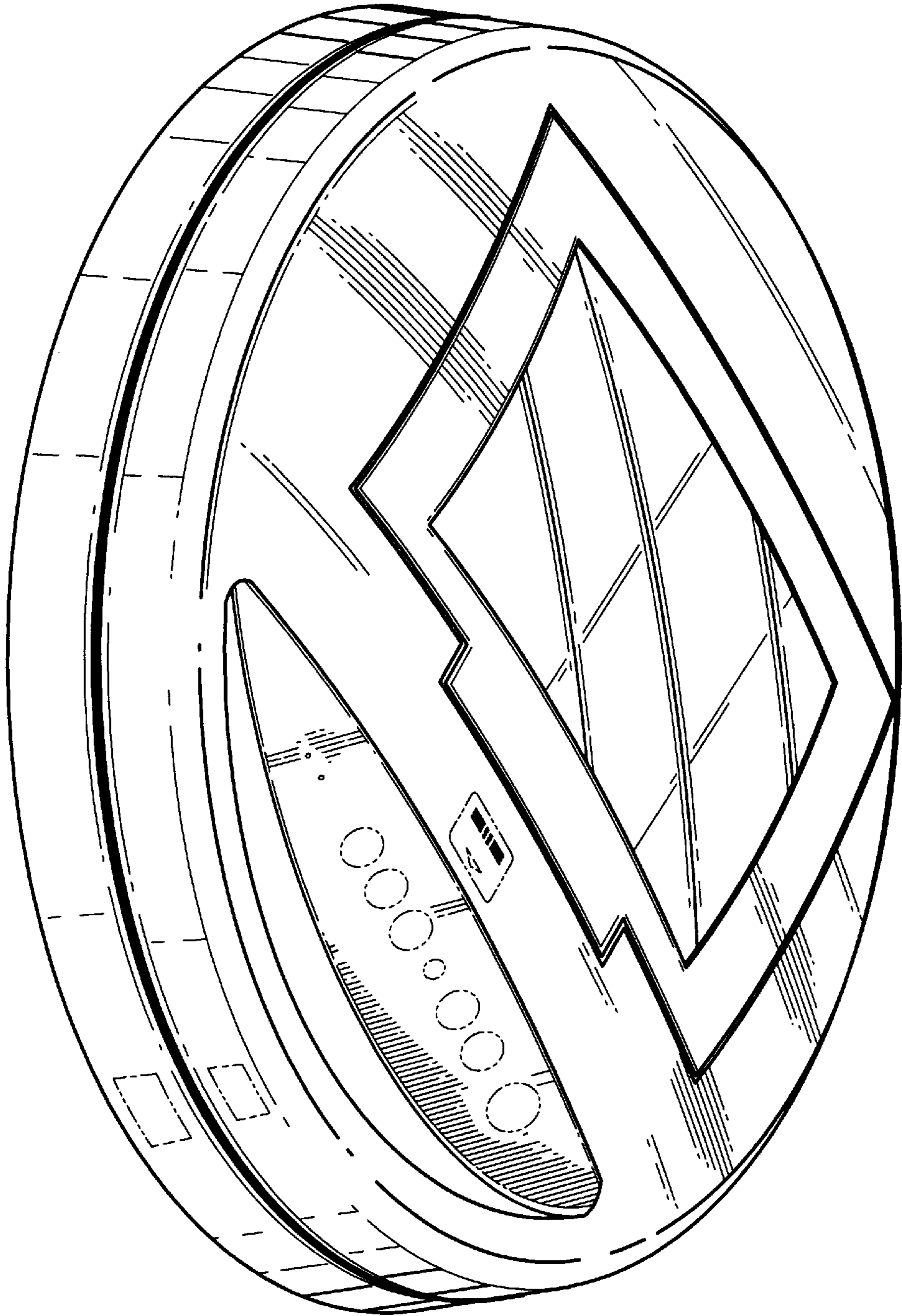


FIG. 1

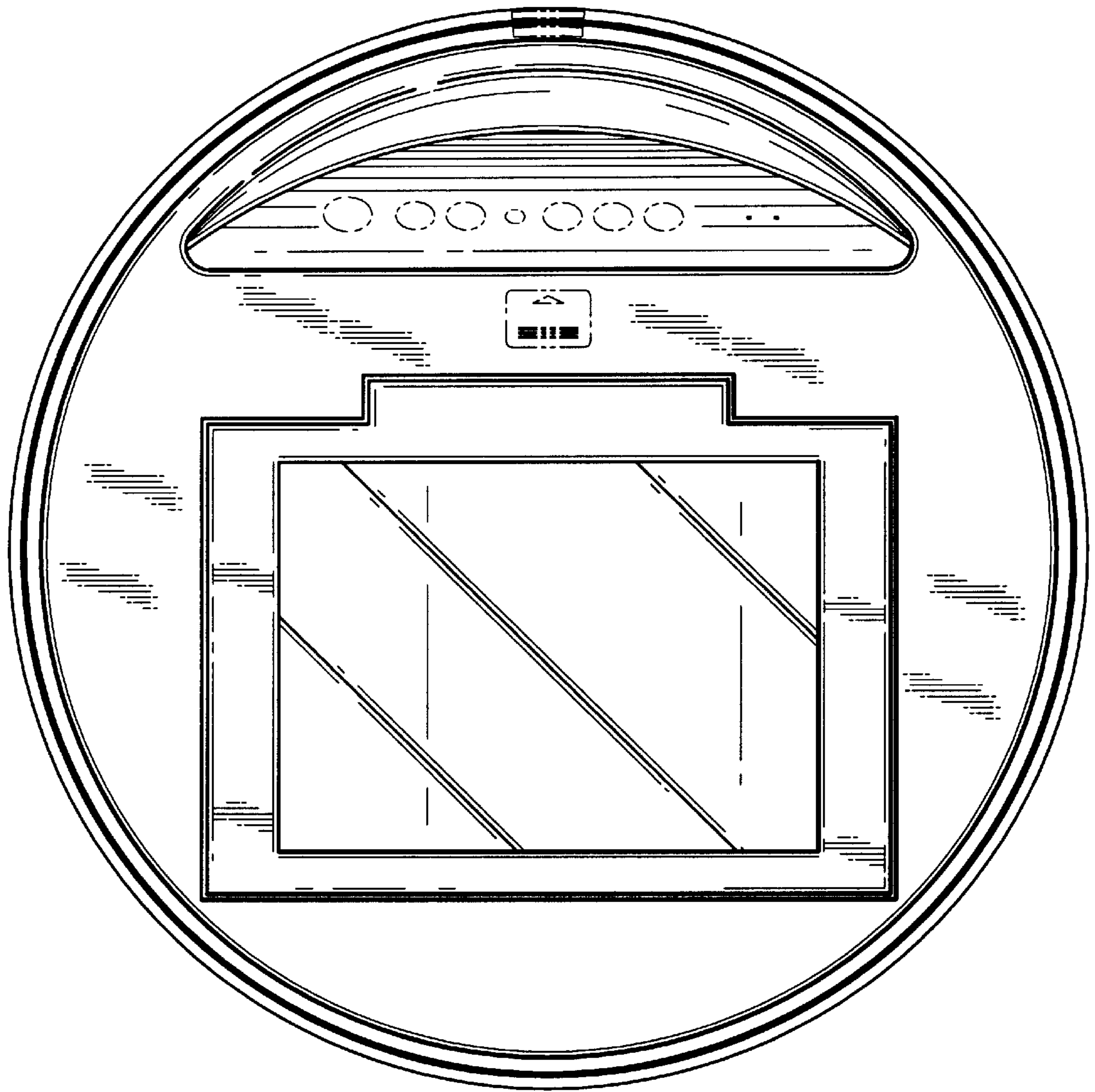


FIG. 2

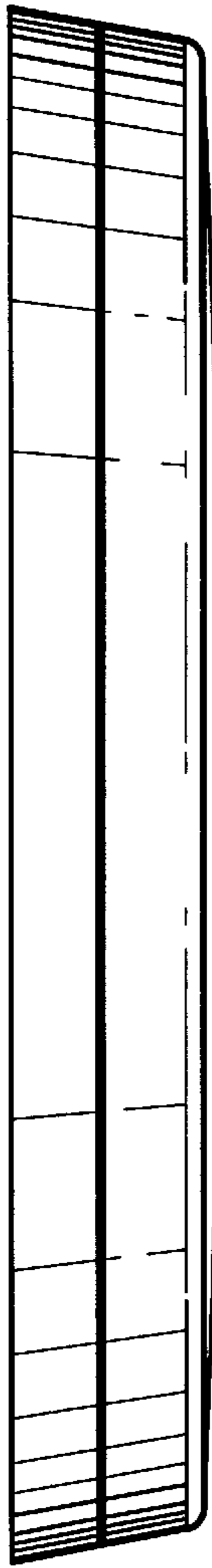


FIG. 3

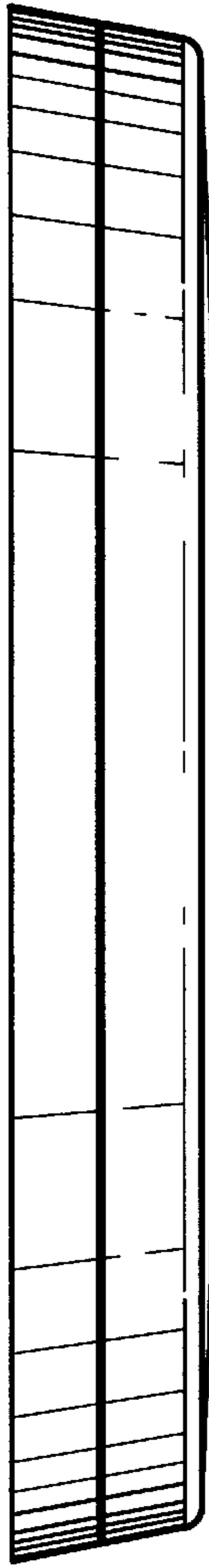


FIG. 4

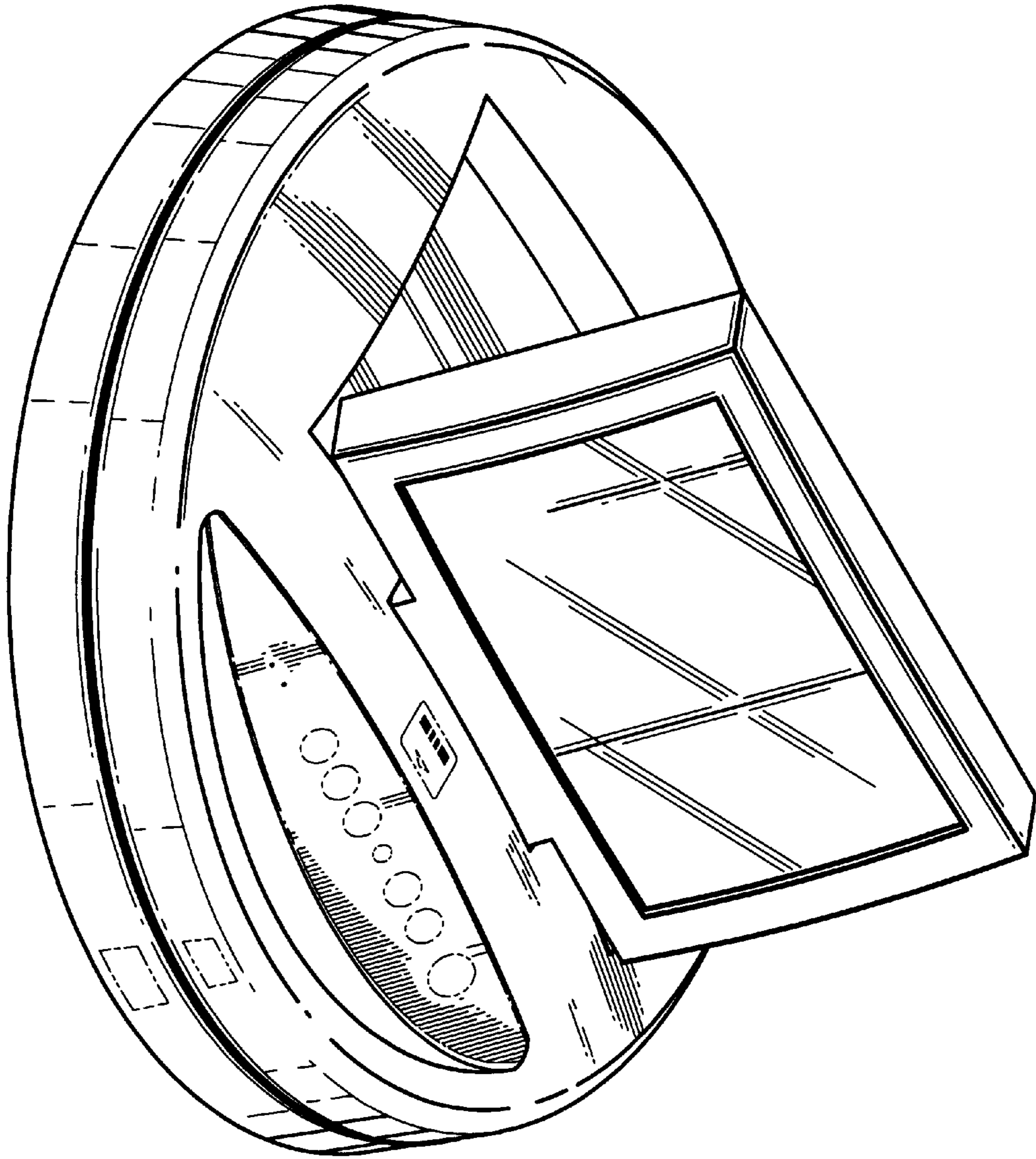


FIG. 5

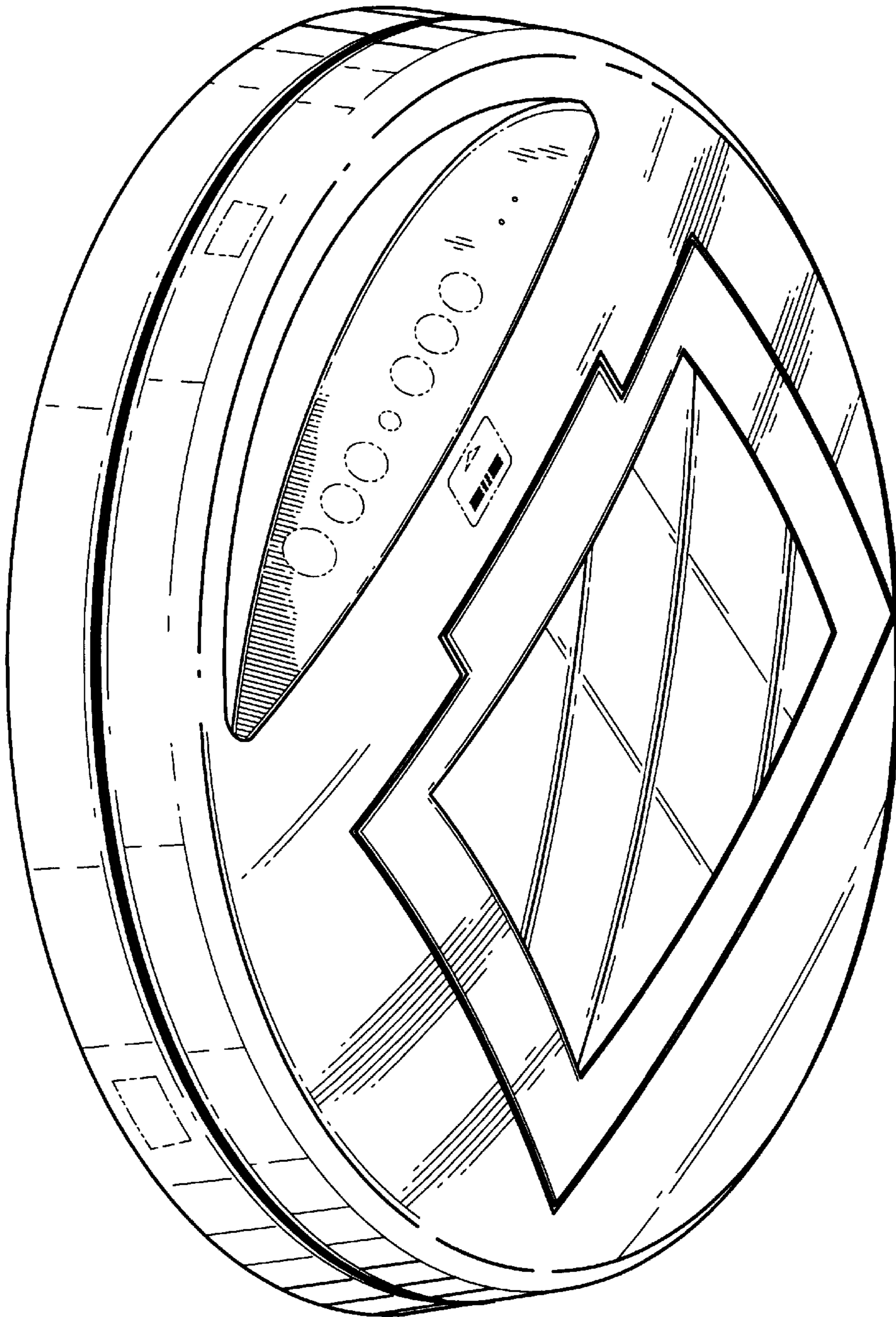


FIG. 6