



US00D456369S

(12) **United States Design Patent**
Joe

(10) **Patent No.:** **US D456,369 S**

(45) **Date of Patent:** **** Apr. 30, 2002**

(54) **TELEVISION SET**

(75) Inventor: **Sung Gu Joe**, Seoul (KR)

(73) Assignee: **LG Electronics Inc.**, Seoul (KR)

(**) Term: **14 Years**

(21) Appl. No.: **29/139,774**

(22) Filed: **Apr. 6, 2001**

(30) **Foreign Application Priority Data**

Oct. 6, 2000 (KR) 2000-25487

(51) **LOC (7) Cl.** **14-03**

(52) **U.S. Cl.** **D14/126**

(58) **Field of Search** D14/126-134,
D14/371, 374, 239; 312/7.2; 348/836, 838

(56) **References Cited**

U.S. PATENT DOCUMENTS

D416,876 S	*	11/1999	Yin	D14/126
D417,659 S	*	12/1999	Takemasa	D14/126
D432,102 S	*	10/2000	Arie	D14/126
D440,950 S	*	4/2001	Oe	D14/126

OTHER PUBLICATIONS

Panasonic Catalog, Back Cover, Sep. 10, 1997.*

* cited by examiner

Primary Examiner—Raphael Barkai

(57) **CLAIM**

The ornamental design for a television set, as shown and described.

DESCRIPTION

FIG. 1 is a perspective view of the television set of the present invention;

FIG. 2 is a front elevational view of of the television set of the present invention;

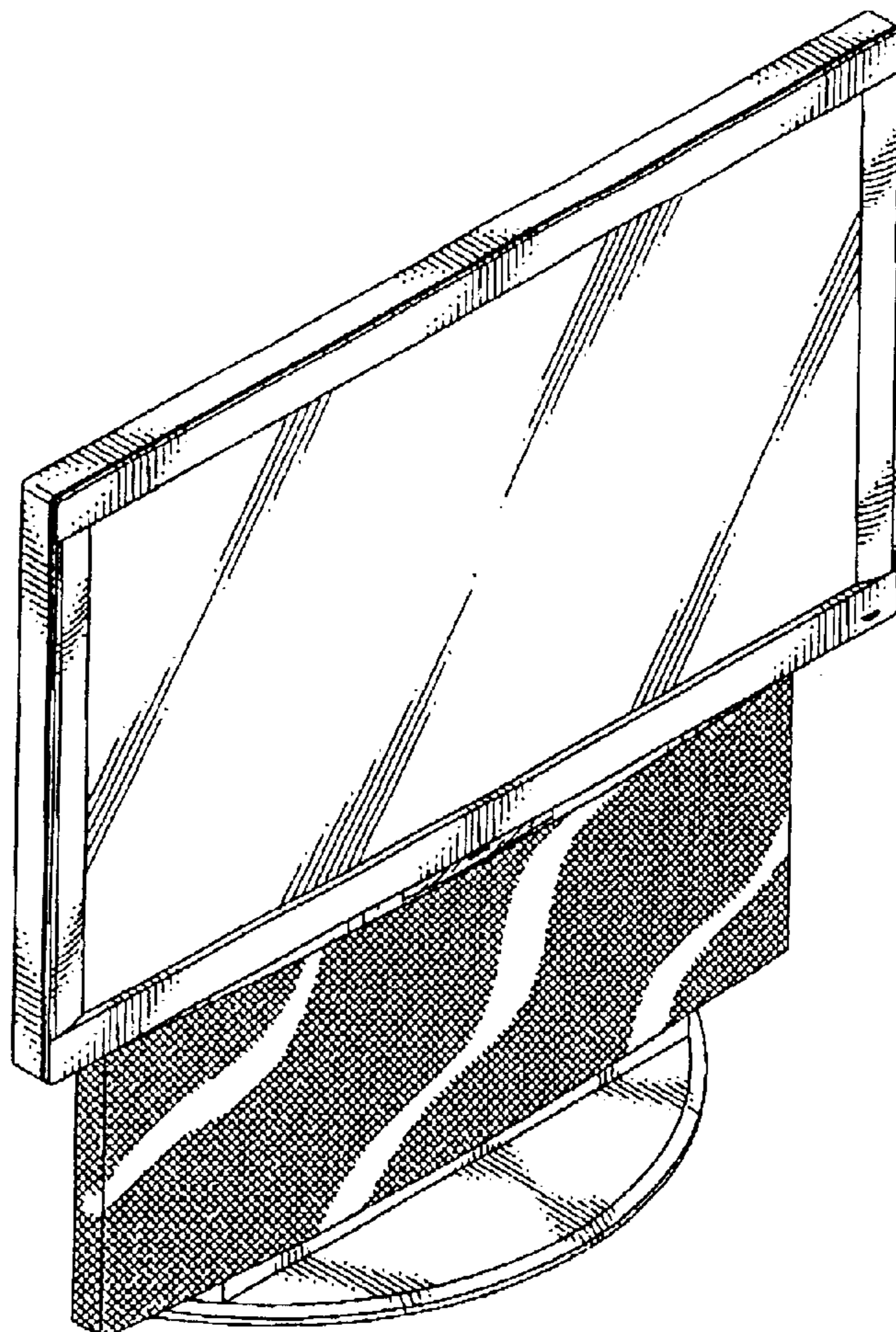
FIG. 3 is a rear elevational view of of the television set of the present invention;

FIG. 4 is a left side elevational view of the television set of the present invention, with the right side being a mirror image thereof;

FIG. 5 is a top plan view of the of the television set of the present invention; and,

FIG. 6 is a bottom plan view of the of the television set of the present invention.

1 Claim, 3 Drawing Sheets



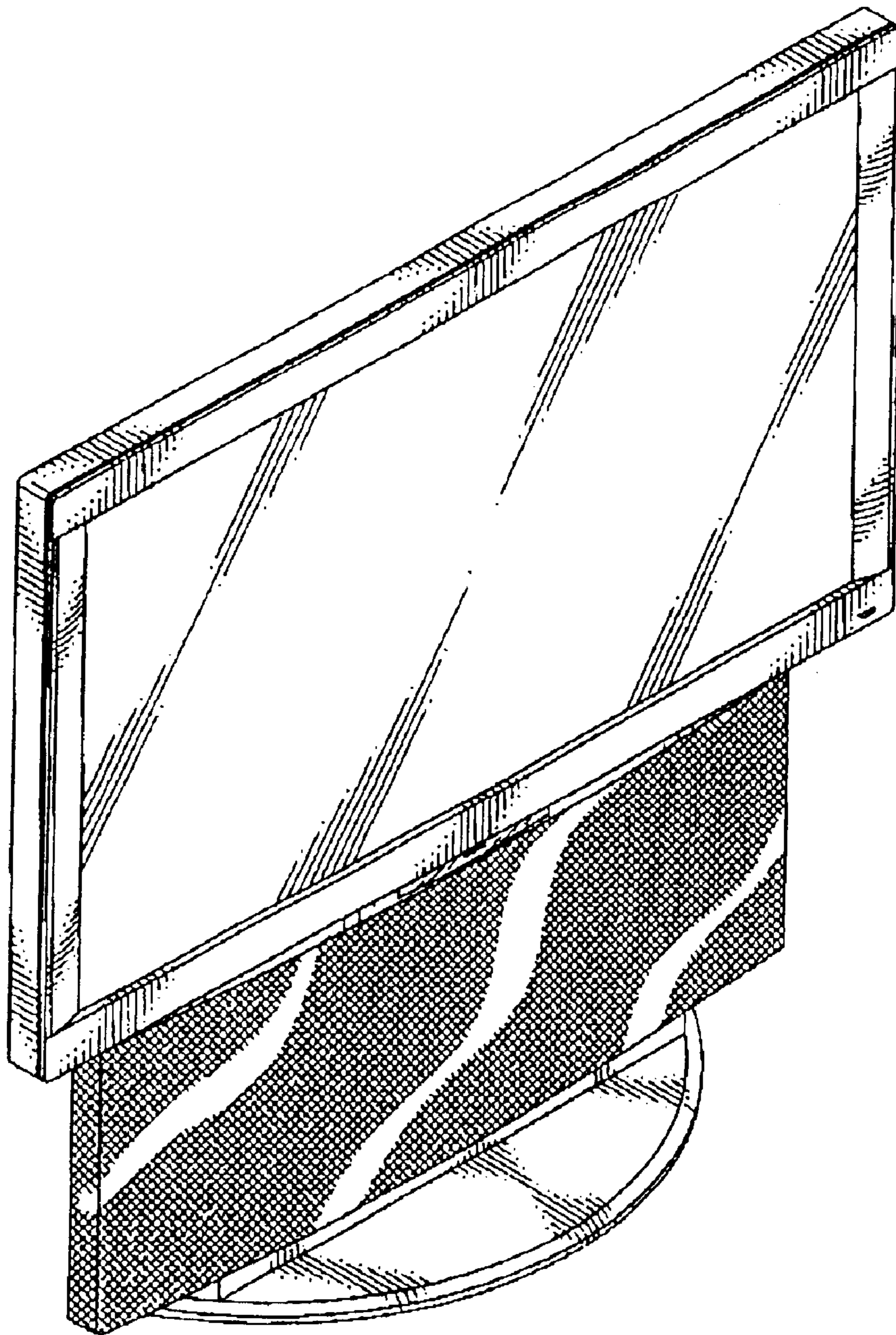


Fig. 1

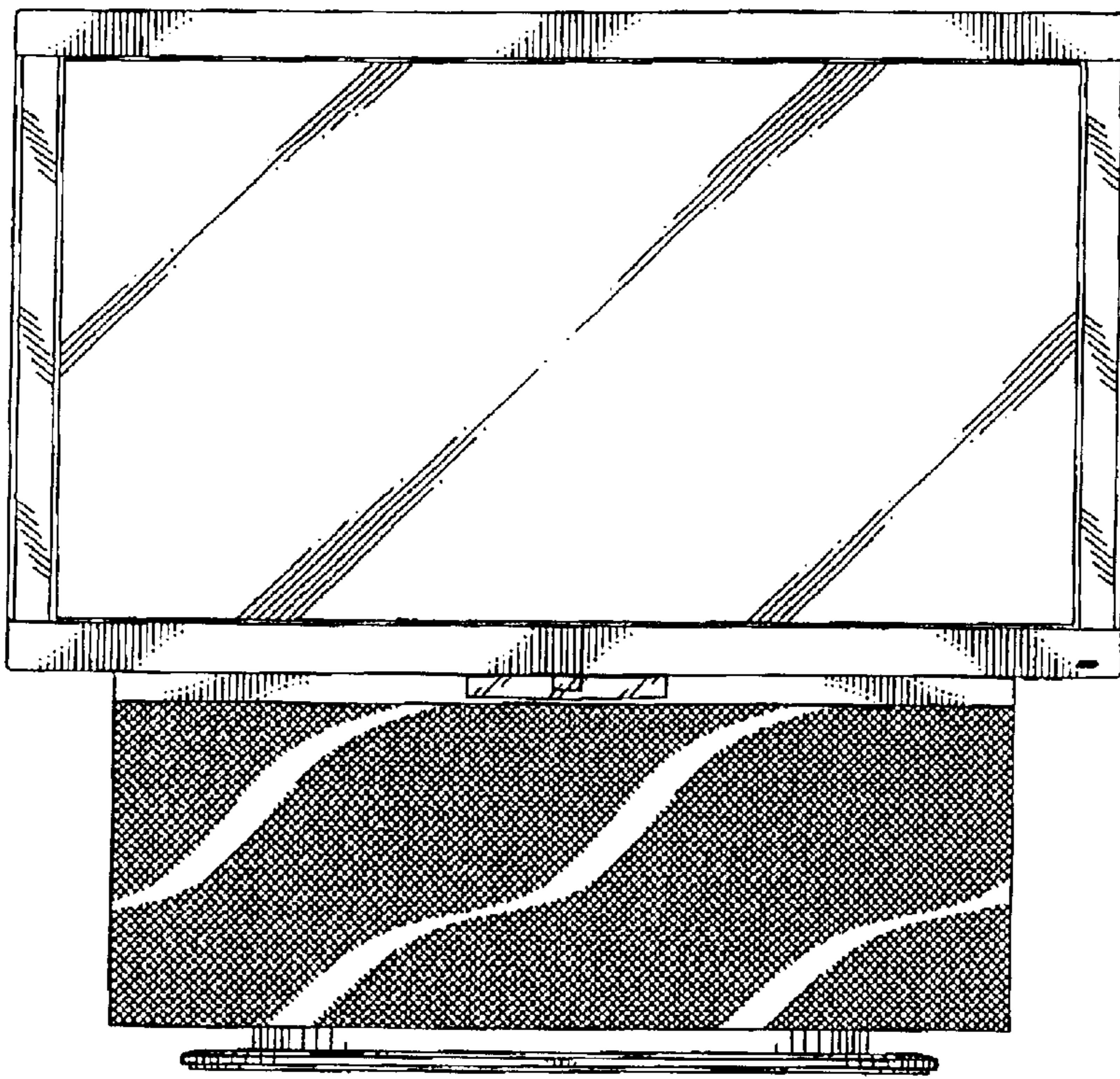


Fig. 2

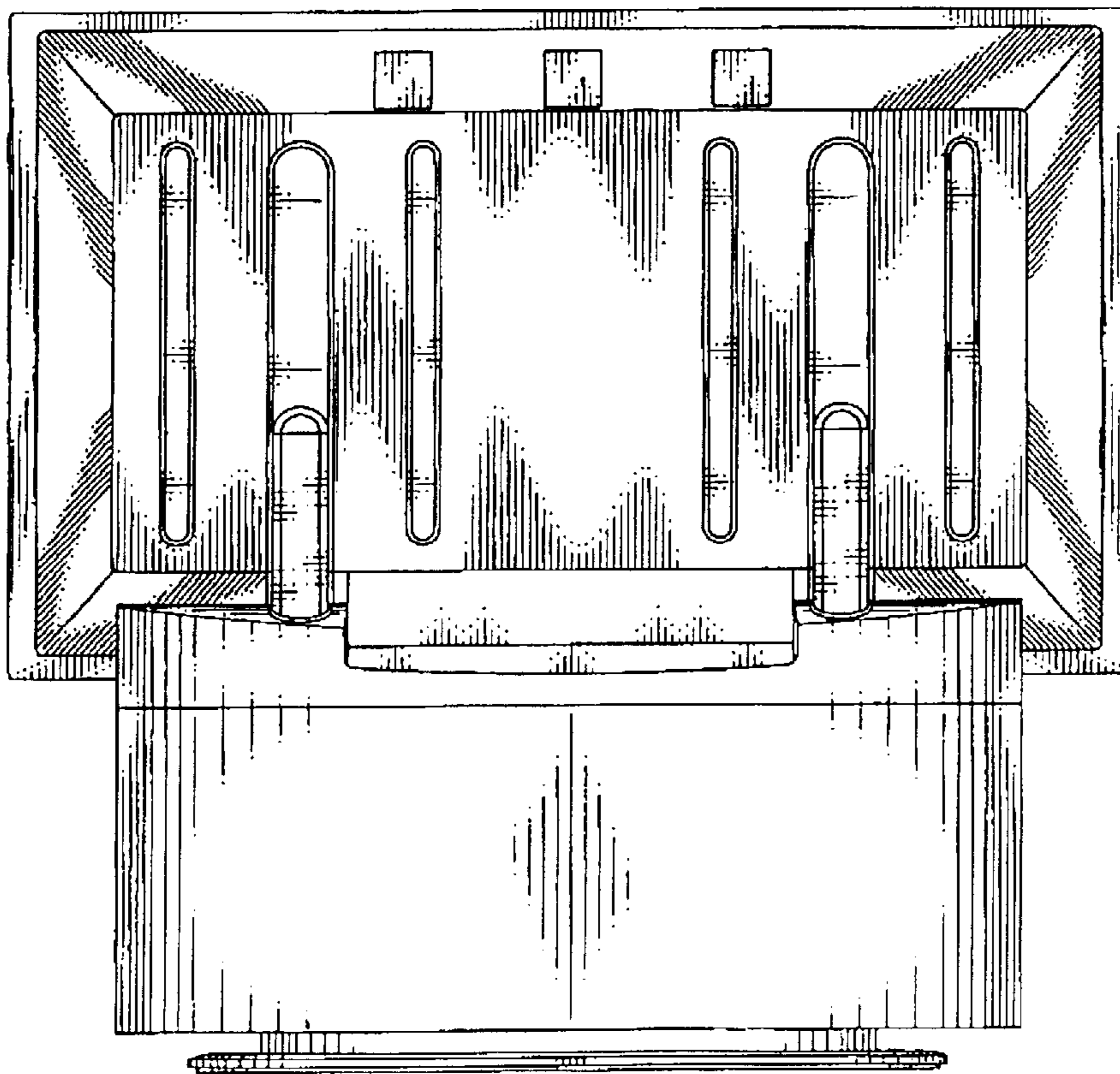


Fig. 3

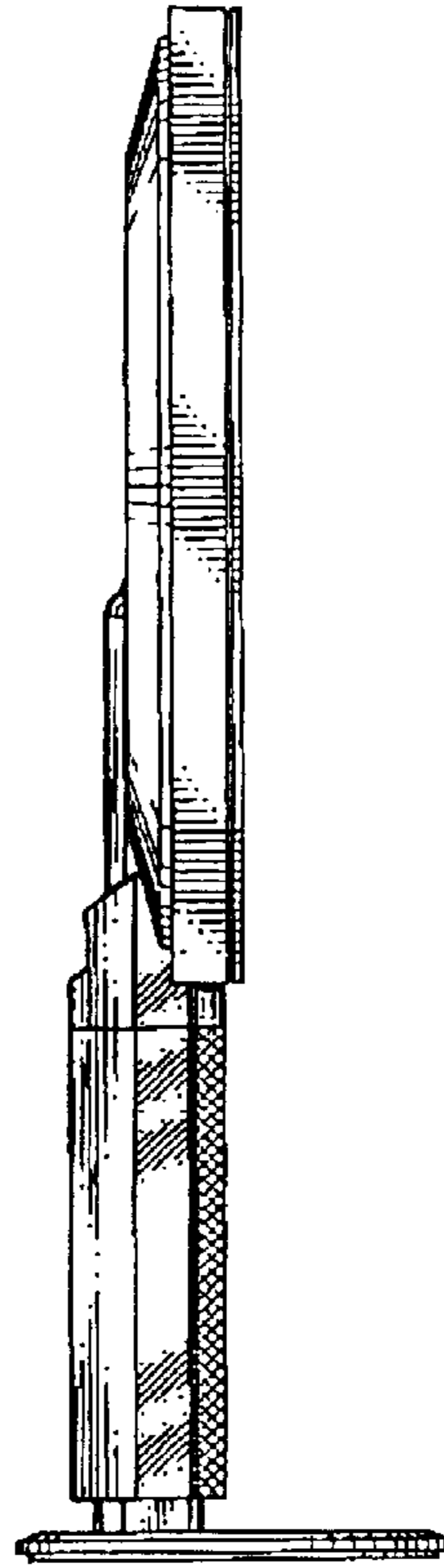


Fig. 4

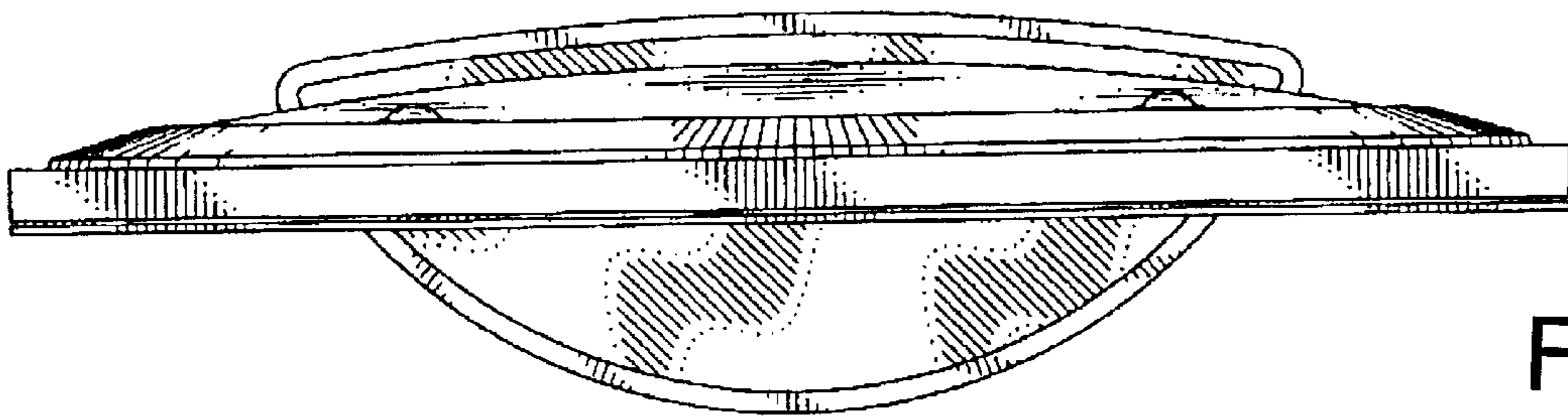


Fig. 5

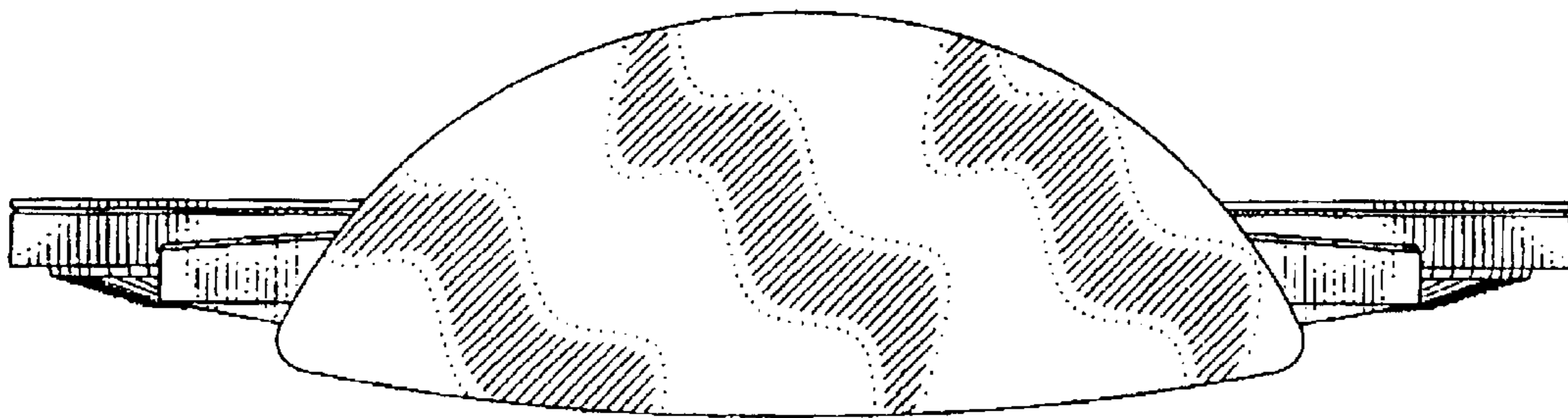


Fig. 6