



US00D456365S

(12) **United States Design Patent**
Suen

(10) **Patent No.:** **US D456,365 S**

(45) **Date of Patent:** **** Apr. 30, 2002**

(54) **ACCESS CONTROL DEVICE**

(75) **Inventor:** **Siu Wah Suen, Causeway Bay (CN)**

(73) **Assignee:** **Integrated Corporation, Central (CN)**

(**) **Term:** **14 Years**

(21) **Appl. No.:** **29/134,623**

(22) **Filed:** **Dec. 26, 2000**

(30) **Foreign Application Priority Data**

Jun. 29, 2000 (HK) 0010848

(51) **LOC (7) Cl. 13-03**

(52) **U.S. Cl. D13/164**

(58) **Field of Search** D10/106; D13/162,
D13/164; D14/218; D21/324; 340/825.22,
825.24, 825.25; 455/151.2, 151.3, 151.4,
352-355

(56) **References Cited**

U.S. PATENT DOCUMENTS

- D328,260 S * 7/1992 Loew et al. D10/106
- D337,757 S * 7/1993 Wu D13/184
- D363,722 S * 10/1995 Aldridge et al. D14/242
- D367,859 S * 3/1996 Beaumont et al. D14/142
- D380,199 S * 6/1997 Beruscha et al. D13/184
- D390,543 S * 2/1998 Hower et al. D14/105
- D390,837 S * 2/1998 Hower et al. D14/105
- D391,267 S * 2/1998 Lindeman et al. D14/257

- D392,644 S * 3/1998 McGugan D14/240
- D418,822 S * 1/2000 Worley et al. D14/356
- D436,083 S * 1/2001 Kishita et al. D13/168
- D447,075 S * 8/2001 Roberts D10/106

* cited by examiner

Primary Examiner—James Gandy

Assistant Examiner—Selina Sikder

(74) *Attorney, Agent, or Firm*—Alix, Yale & Ristas, LLP

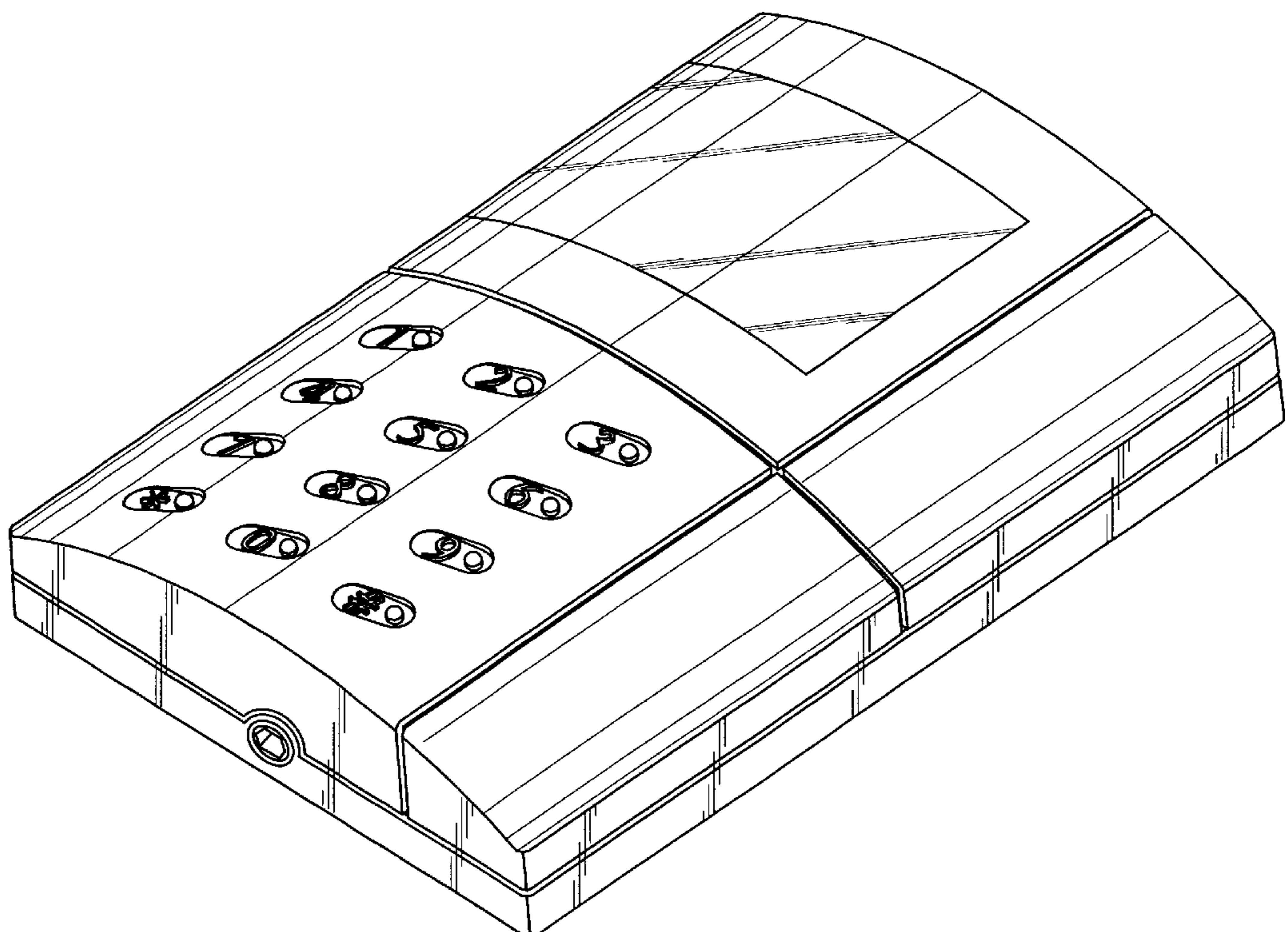
(57) **CLAIM**

The ornamental design for an access control device, as shown and described.

DESCRIPTION

FIG. 1 is a front perspective view of the access control device showing my new design;
 FIG. 2 is a front view of the access control device of FIG. 1;
 FIG. 3 is a left side view of the access control device of FIG. 1;
 FIG. 4 is a top plan view of the access control device of FIG. 1;
 FIG. 5 is a right side view of the access control device of FIG. 1;
 FIG. 6 is a rear view of the access control device of FIG. 1;
 and,
 FIG. 7 is a bottom plan view of the access control device of FIG. 1.

1 Claim, 3 Drawing Sheets



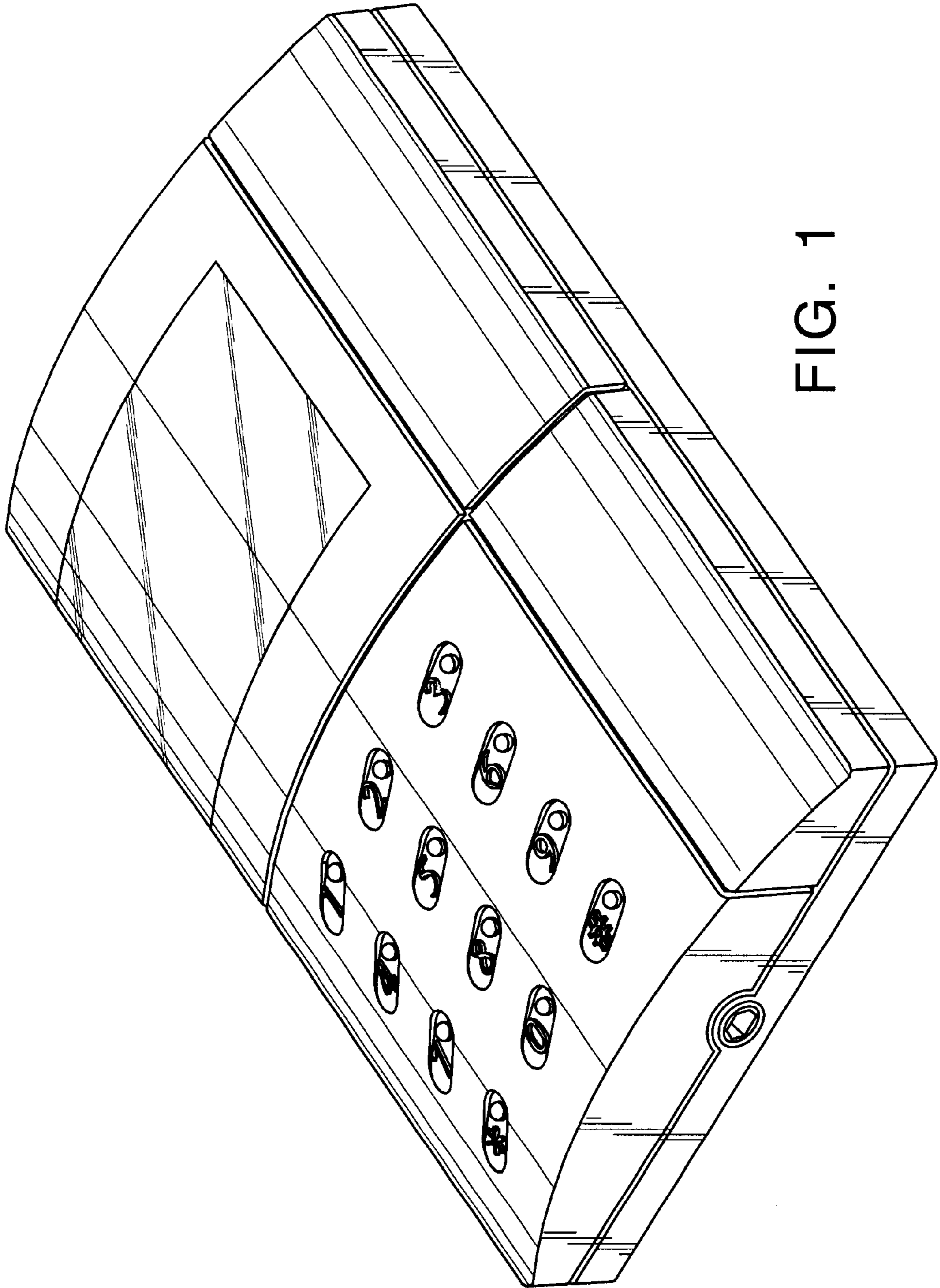


FIG. 1

FIG. 4

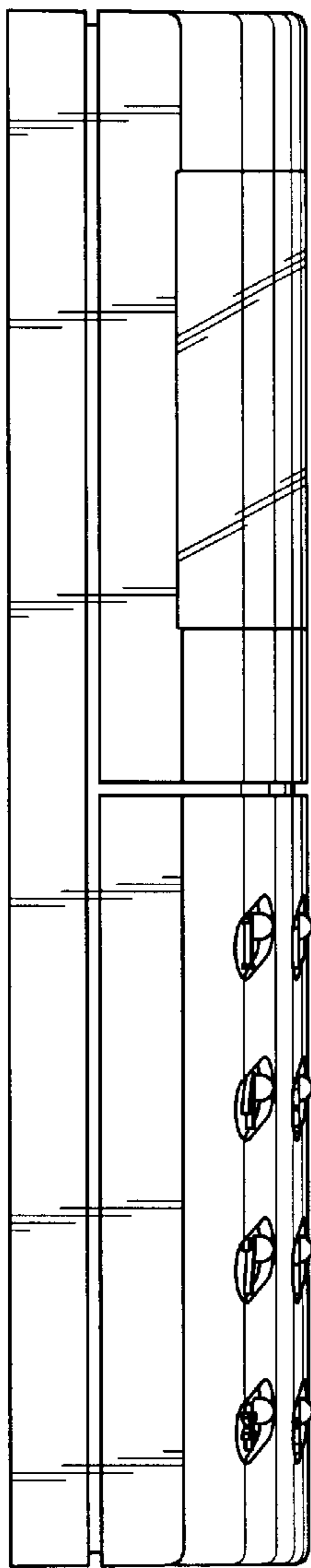
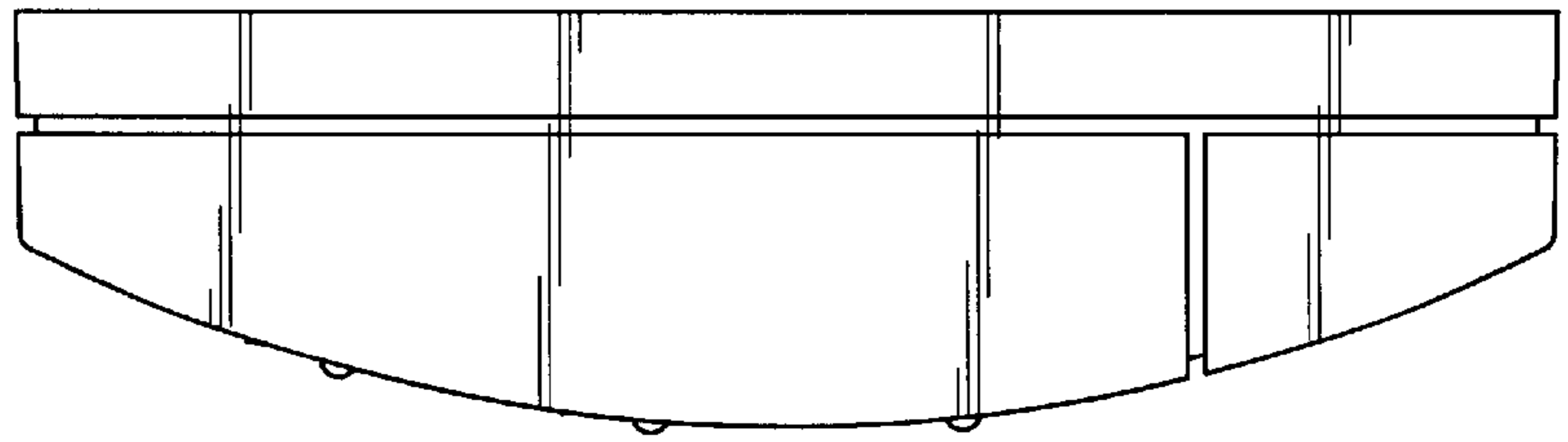


FIG. 3

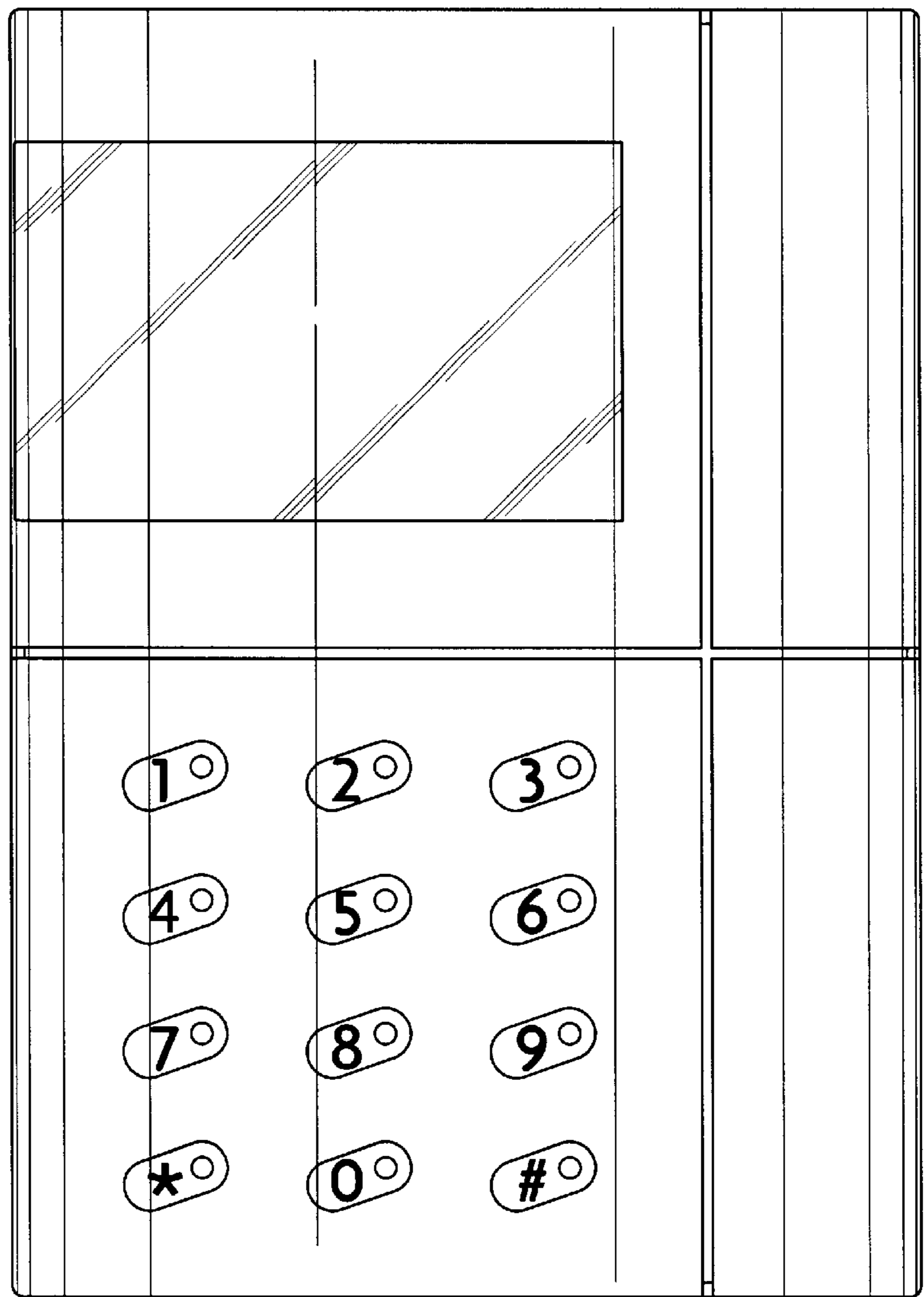


FIG. 2

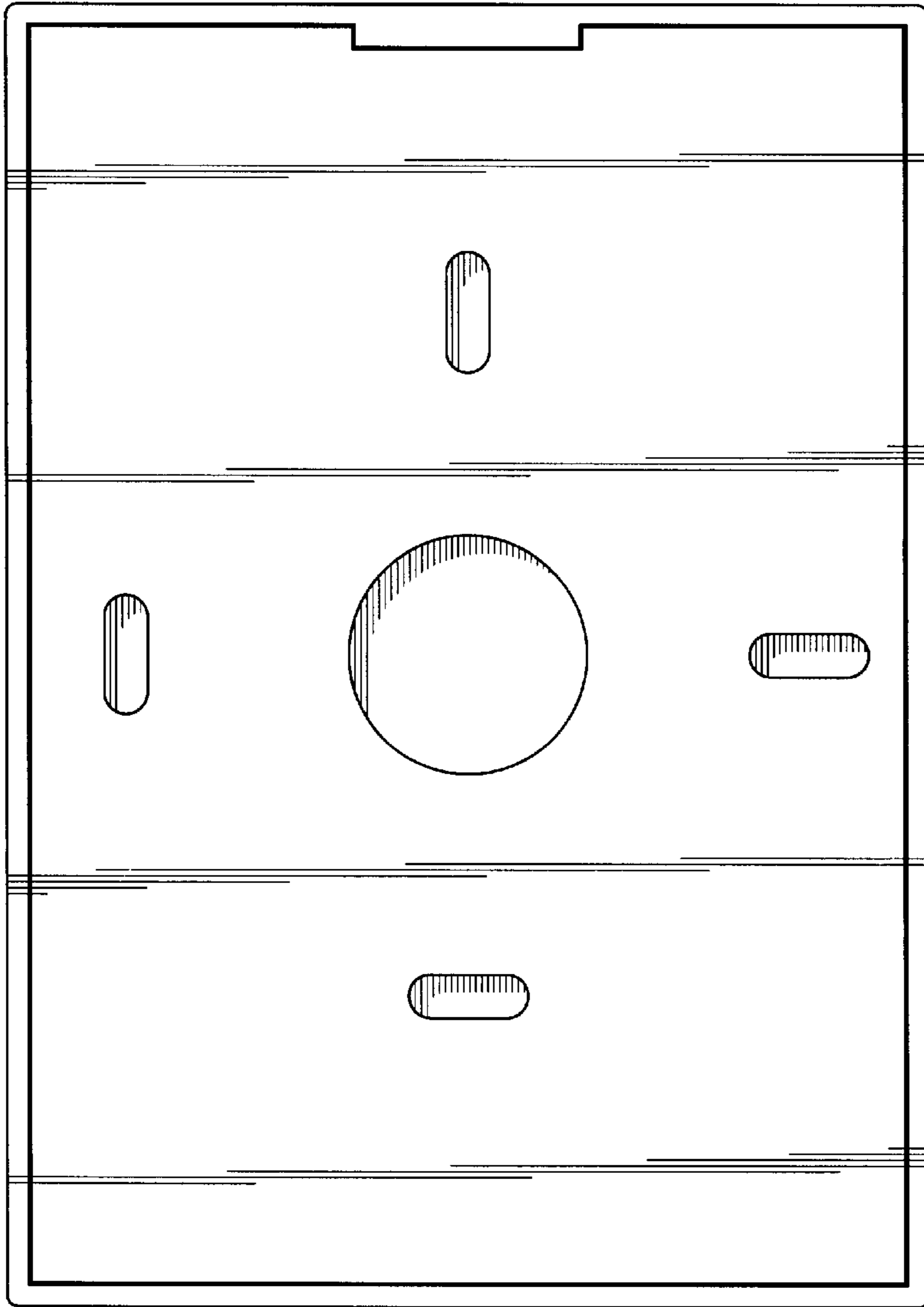


FIG. 6

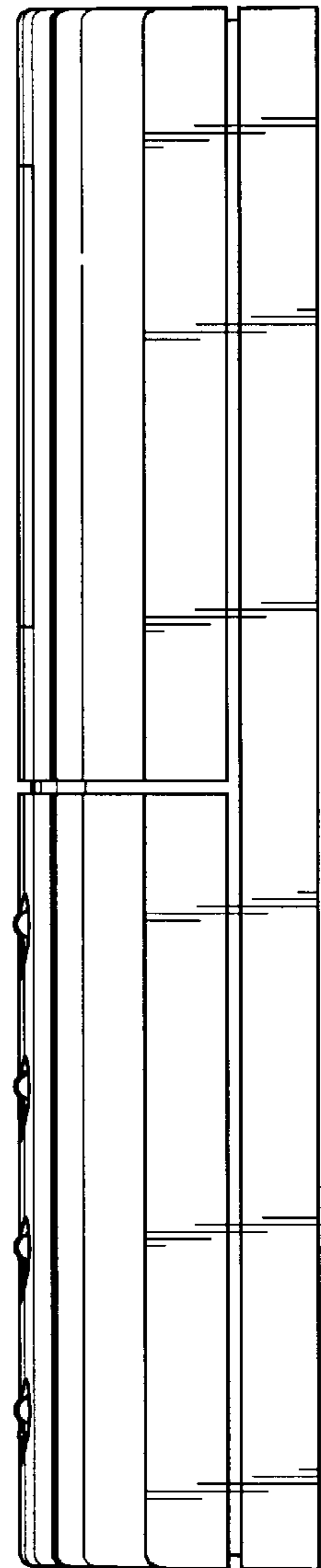


FIG. 5

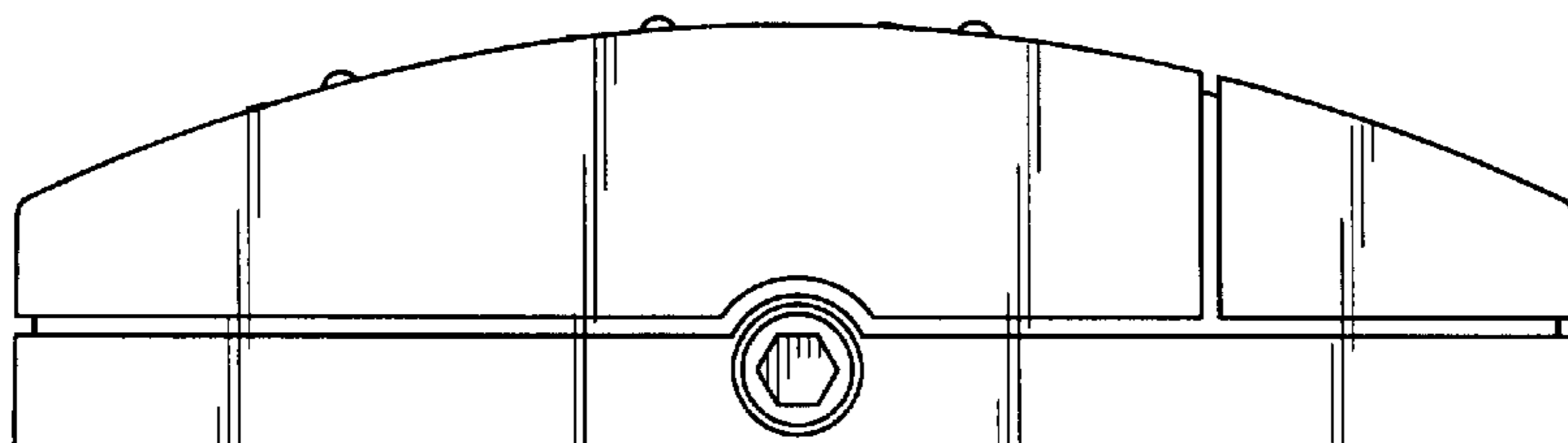


FIG. 7