



US00D456364S

(12) **United States Design Patent**
Suen

(10) **Patent No.:** **US D456,364 S**

(45) **Date of Patent:** **** Apr. 30, 2002**

(54) **ACCESS CONTROL DEVICE**

(75) **Inventor:** **Siu Wah Suen, Causeway Bay (CN)**

(73) **Assignee:** **Integrated Corporation, Central (CN)**

(**) **Term:** **14 Years**

(21) **Appl. No.:** **29/134,649**

(22) **Filed:** **Dec. 26, 2000**

(30) **Foreign Application Priority Data**

Jun. 29, 2000 (HK) 0010850

(51) **LOC (7) Cl.** **13-03**

(52) **U.S. Cl.** **D13/162**

(58) **Field of Search** D10/106; D13/162,
D13/164; D14/218; D21/324; 340/825.22,
825.24, 825.25; 455/151.2, 151.3, 151.4,
352-355

(56) **References Cited**

U.S. PATENT DOCUMENTS

D328,260 S	*	7/1992	Loew et al.	D10/106
D337,757 S	*	7/1993	Wu	D13/184
D363,722 S	*	10/1995	Aldridge et al.	D14/242
D367,859 S	*	3/1996	Beaumont et al.	D14/142
D380,199 S	*	6/1997	Beruscha et al.	D13/184
D390,543 S	*	2/1998	Hower et al.	D14/105
D390,837 S	*	2/1998	Hower et al.	D14/105

D391,267 S	*	2/1998	Lindeman et al.	D14/257
D392,644 S	*	3/1998	McGugan	D14/240
D418,822 S	*	1/2000	Worley et al.	D14/356
D436,083 S	*	1/2001	Kishita et al.	D13/168
D447,075 S	*	8/2001	Roberts	D10/106

* cited by examiner

Primary Examiner—James Gandy

Assistant Examiner—Selina Sikder

(74) *Attorney, Agent, or Firm*—Alix, Yale & Rist

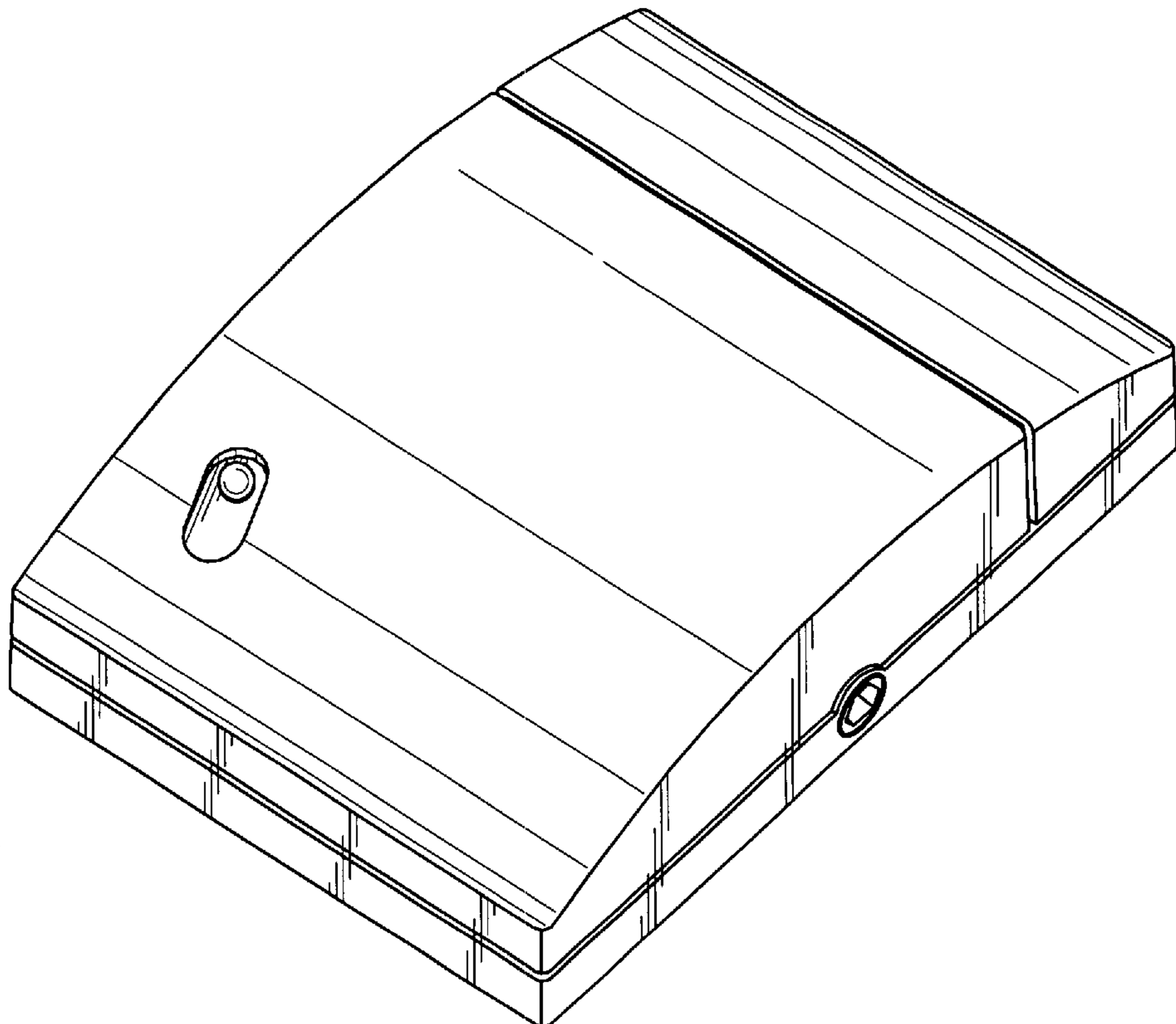
(57) **CLAIM**

The ornamental design for an access control device, as shown and described.

DESCRIPTION

FIG. 1 is a front perspective view of the access control device showing my new design;
 FIG. 2 is a front view of the access control device of FIG. 1;
 FIG. 3 is a rear view of the access control device of FIG. 1;
 FIG. 4 is a left side view of the access control device of FIG. 1;
 FIG. 5 is a right side view of the access control device of FIG. 1;
 FIG. 6 is a top plan view of the access control device of FIG. 1; and,
 FIG. 7 is a bottom plan view of the access control device of FIG. 1.

1 Claim, 3 Drawing Sheets



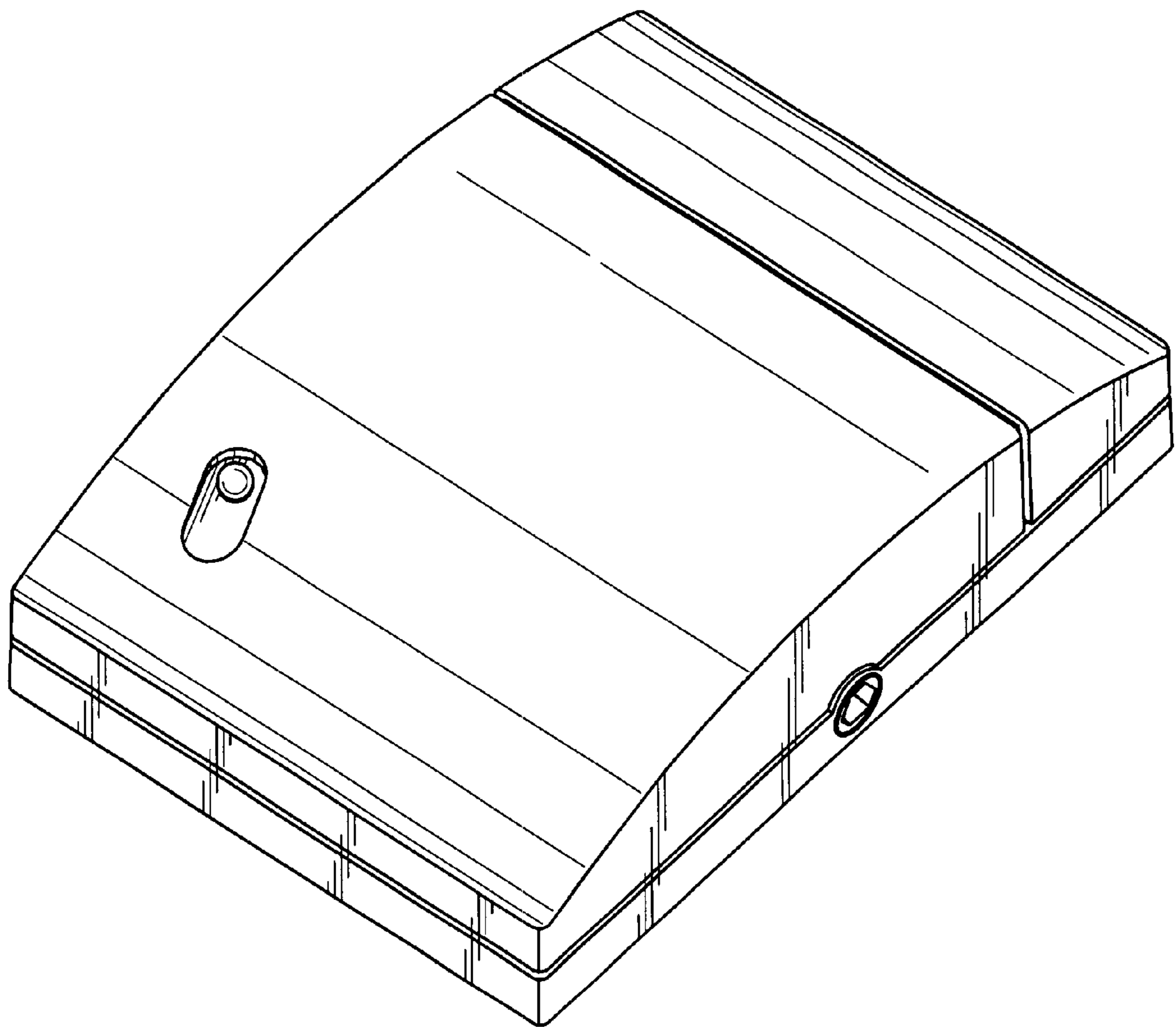


FIG. 1

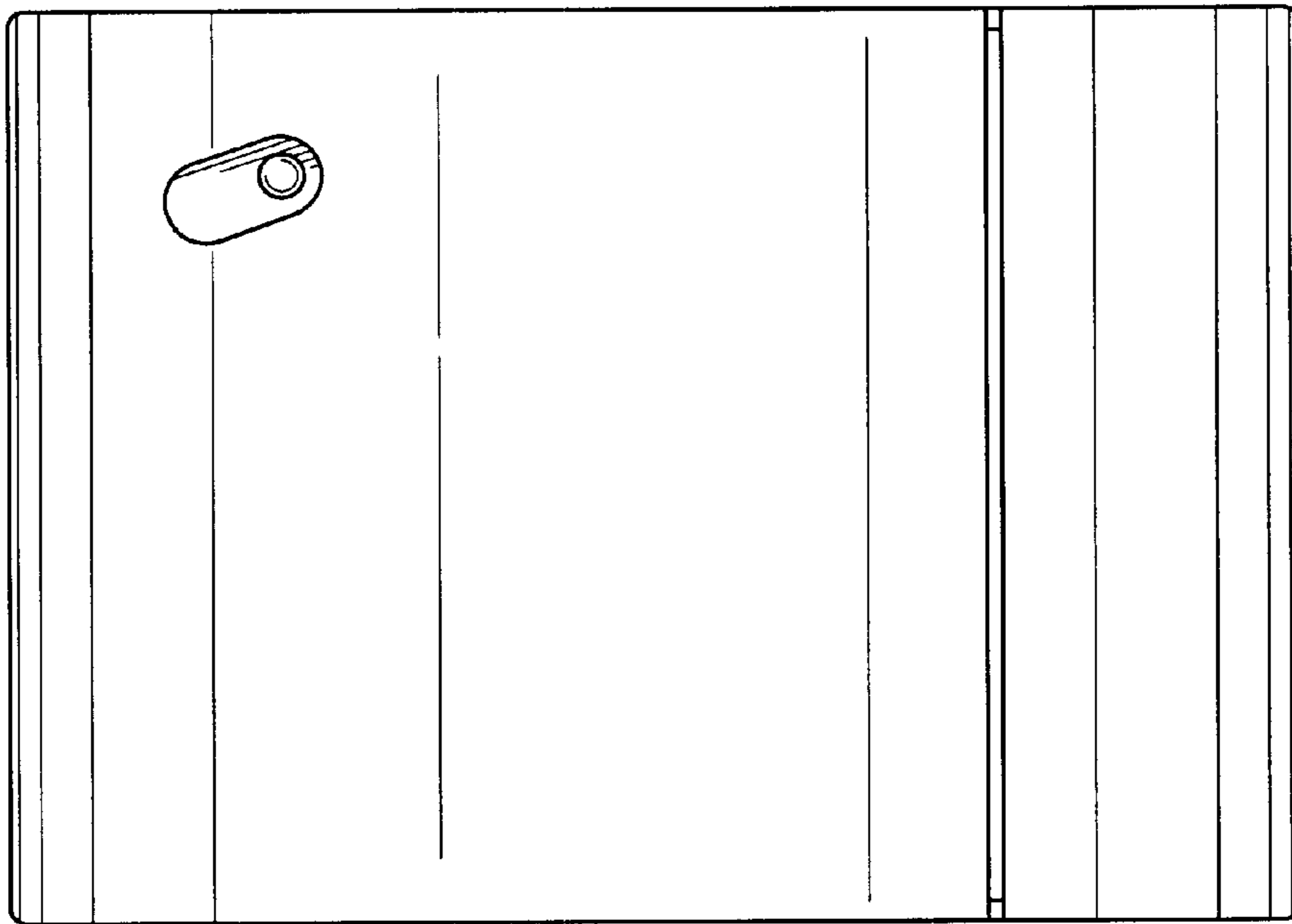


FIG. 2

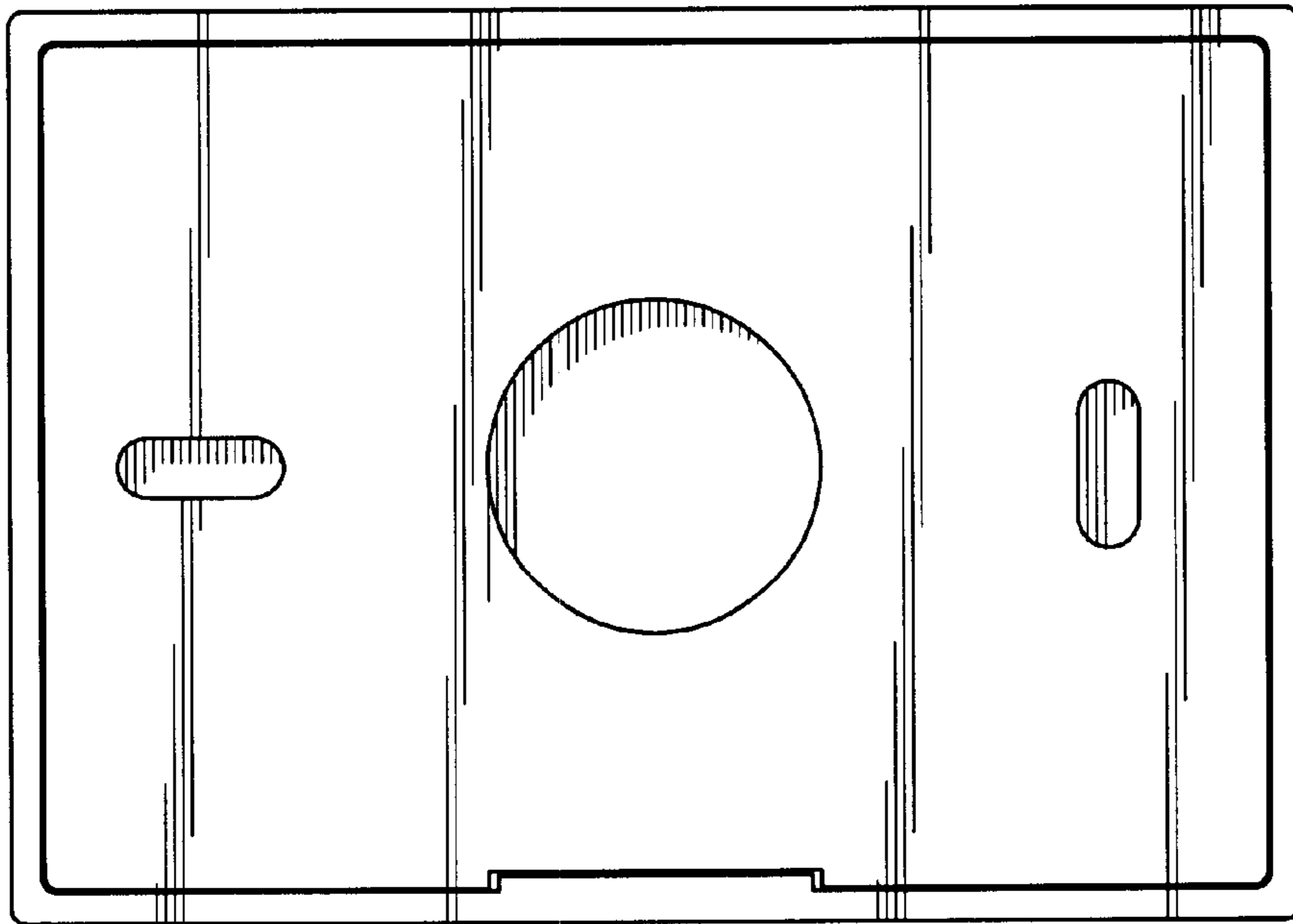


FIG. 3

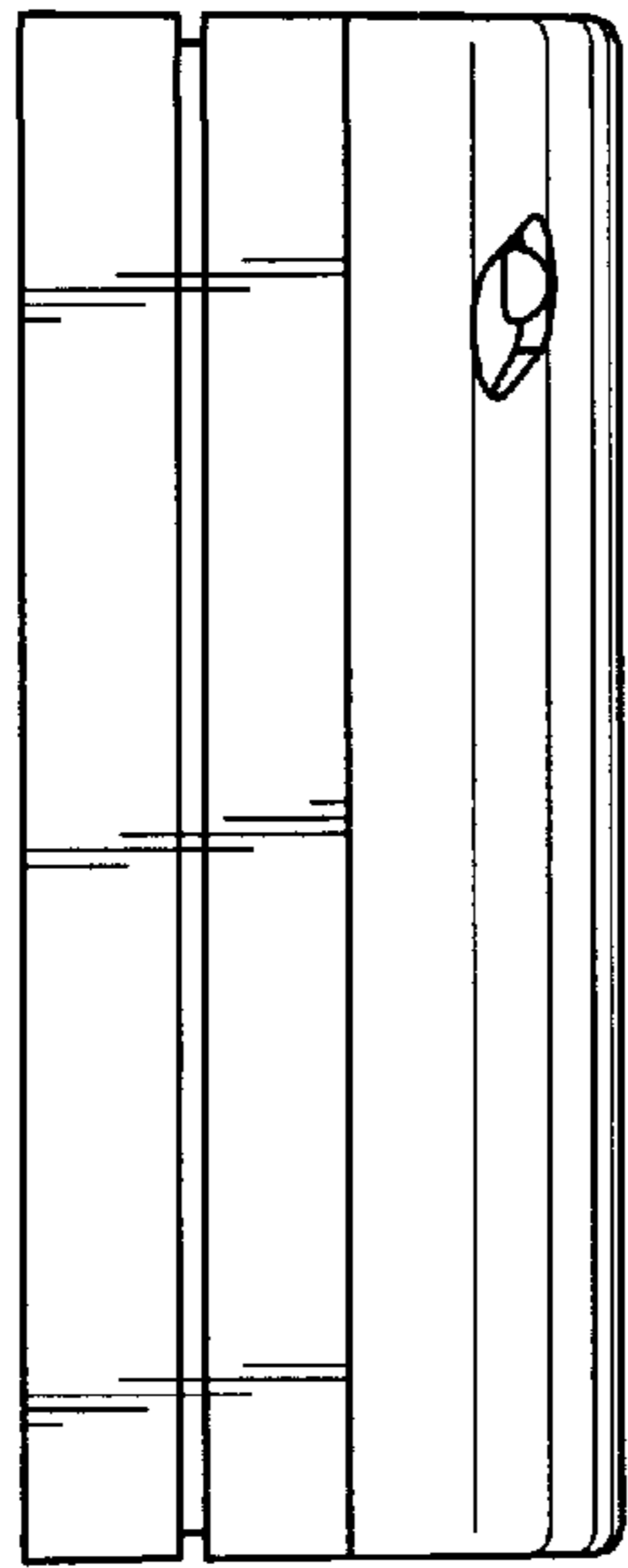


FIG. 4

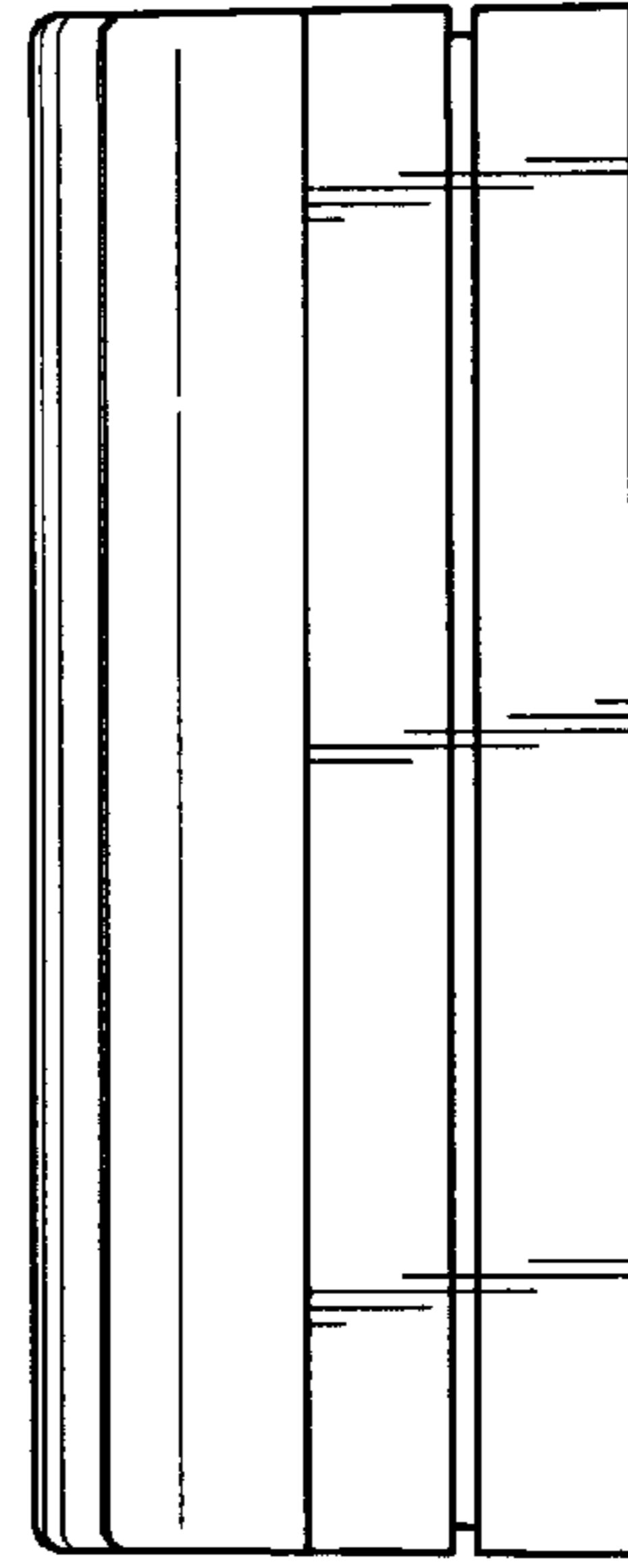


FIG. 5

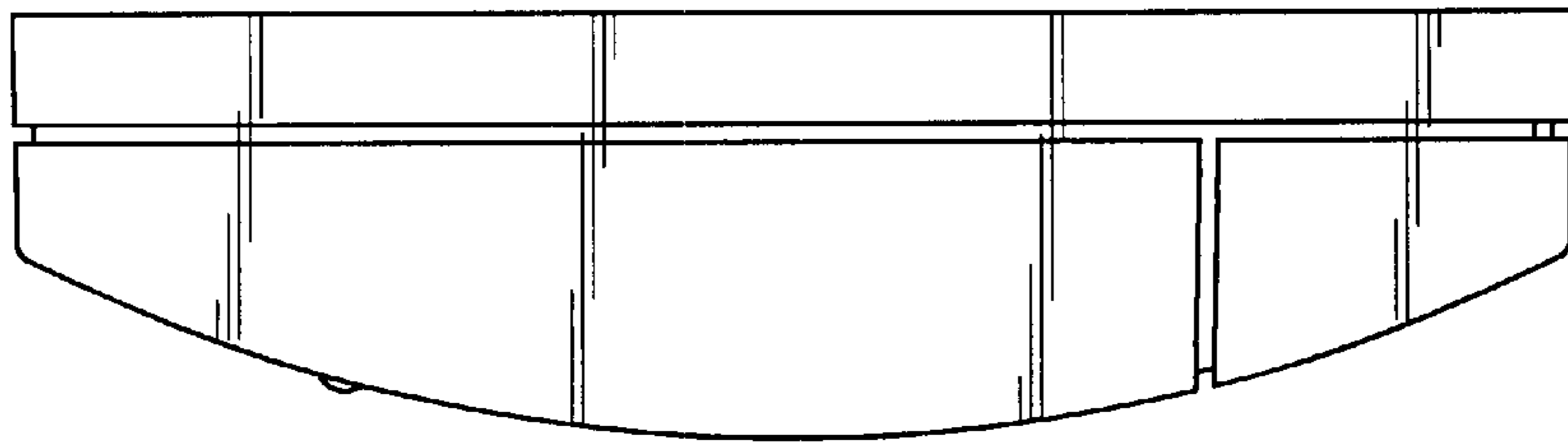


FIG. 6

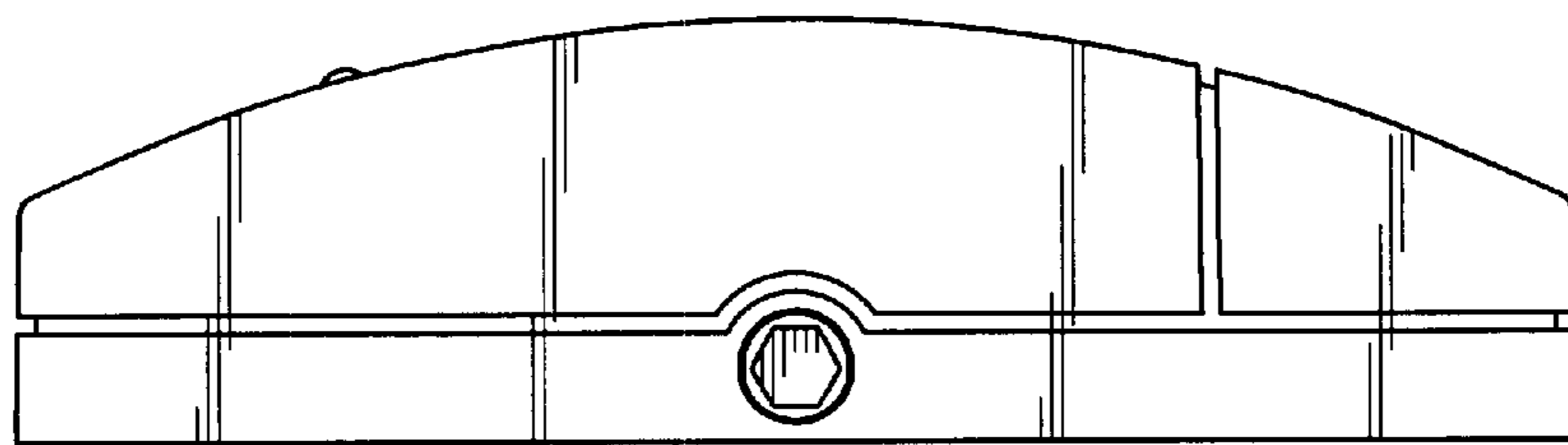


FIG. 7