



US00D456363S

(12) **United States Design Patent**  
**Lee**

(10) **Patent No.:** **US D456,363 S**

(45) **Date of Patent:** **\*\* Apr. 30, 2002**

(54) **CONNECTOR HOUSING**

(75) Inventor: **Kendrew Lee**, Fremont, CA (US)

(73) Assignee: **Monster Cable Products, Inc.**,  
Brisbane, CA (US)

(\*\*) Term: **14 Years**

(21) Appl. No.: **29/142,470**

(22) Filed: **May 25, 2001**

(51) **LOC (7) Cl.** ..... **13-03**

(52) **U.S. Cl.** ..... **D13/154**

(58) **Field of Search** ..... D13/133, 154,  
D13/156; 439/583-585, 750; 174/74 A,  
74 R, 138 F, 87

(56) **References Cited**

**U.S. PATENT DOCUMENTS**

D206,662 S	*	1/1967	Karol	.....	D13/156
5,564,942 A	*	10/1996	Lee	.....	439/584
D451,073 S	*	11/2001	Yasuda et al.	.....	D13/133

\* cited by examiner

*Primary Examiner*—Jennifer Rivard

(74) *Attorney, Agent, or Firm*—LaRiviere, Grubman & Payne, LLP

(57) **CLAIM**

The ornamental design for a connector housing, as shown and described.

**DESCRIPTION**

A portion of the disclosure of this design patent document contains material to which a claim of copyright protection is made. The copyright owner has no objection to the facsimile reproduction of the patent document or the patent disclosure as it appears in the U.S. Patent and Trademark office file or records, but reserves all other rights.

FIG. 1 is a perspective view of a connector housing, in accordance with the present invention.

FIG. 2 is another perspective view thereof.

FIG. 3 is a top view thereof.

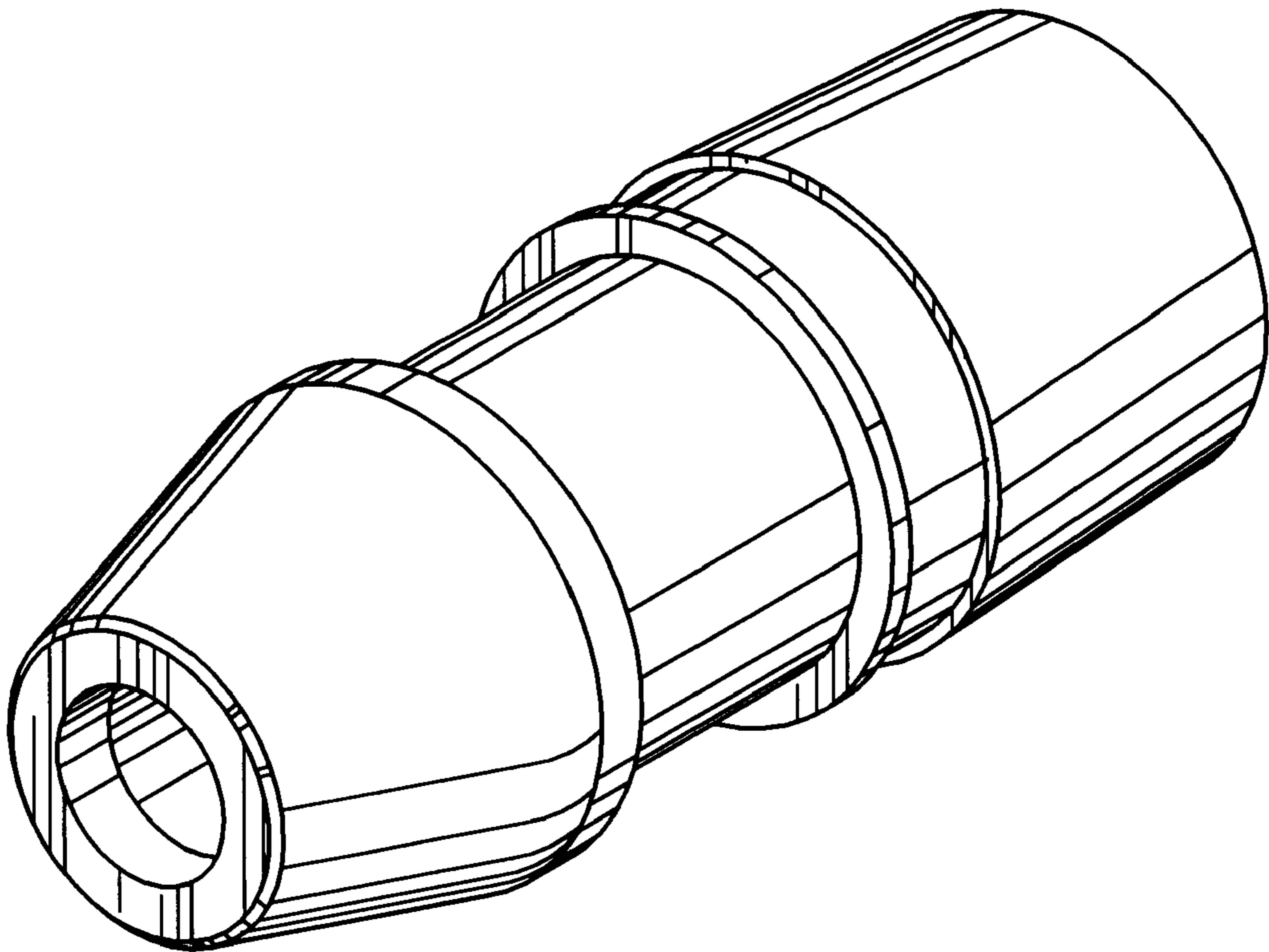
FIG. 4 is a frontal view thereof.

FIG. 5 is a rear view thereof; and,

FIG. 6 is another top view thereof.

The broken lines showing the environment in FIGS. 1 & 6 are for illustrative purposes only and form no part of the claimed design.

**1 Claim, 3 Drawing Sheets**



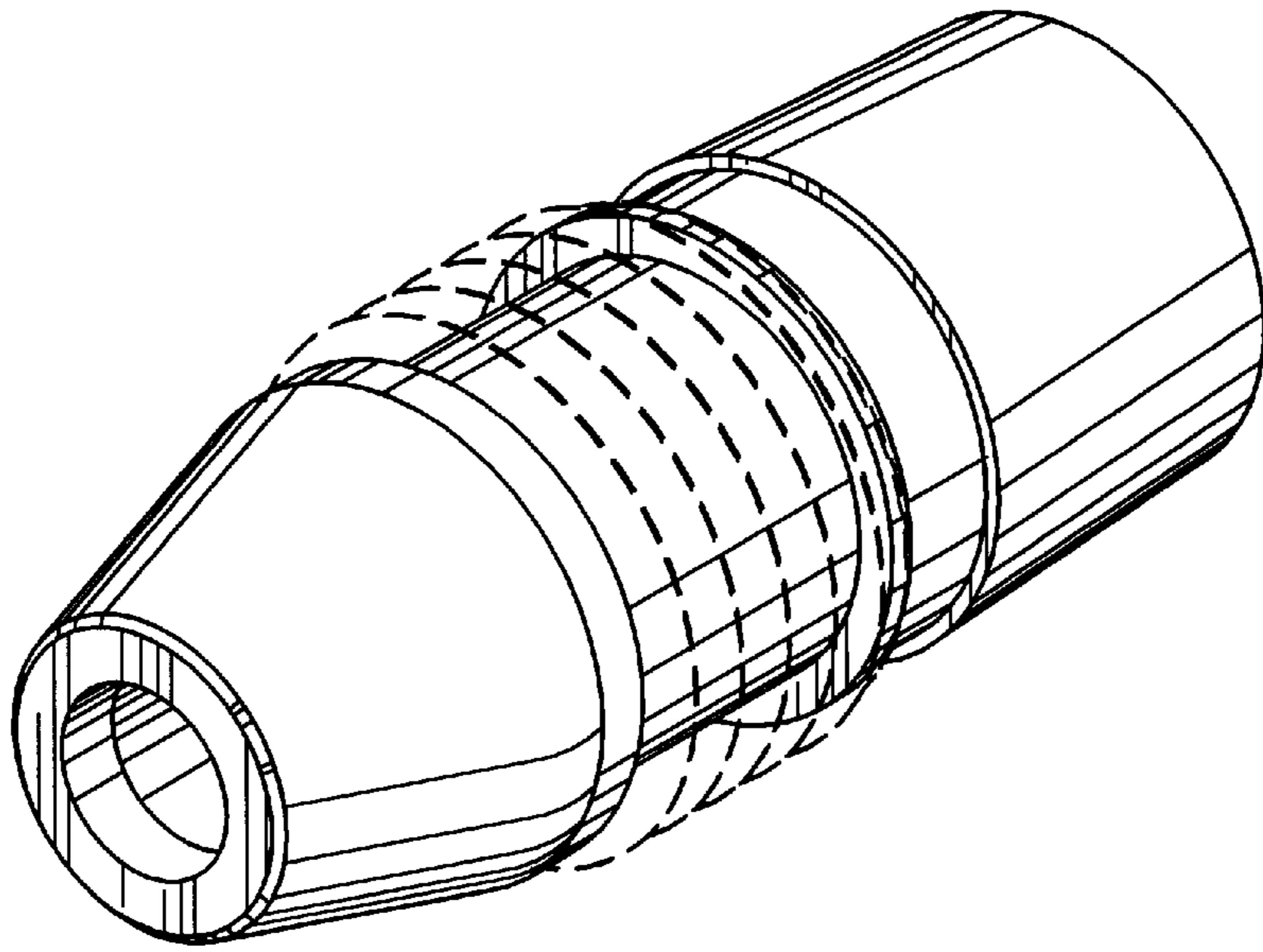


Figure 1

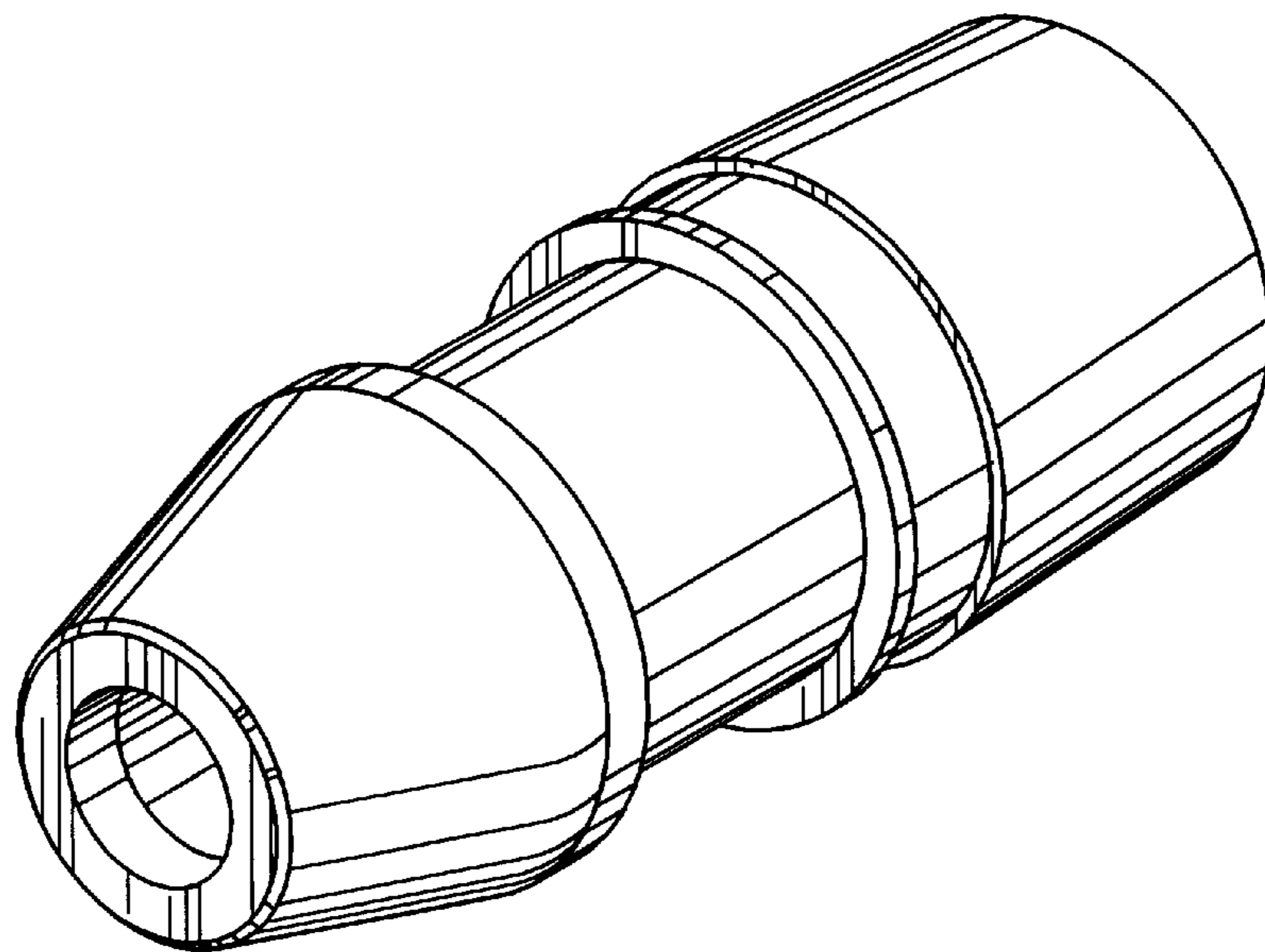


Figure 2

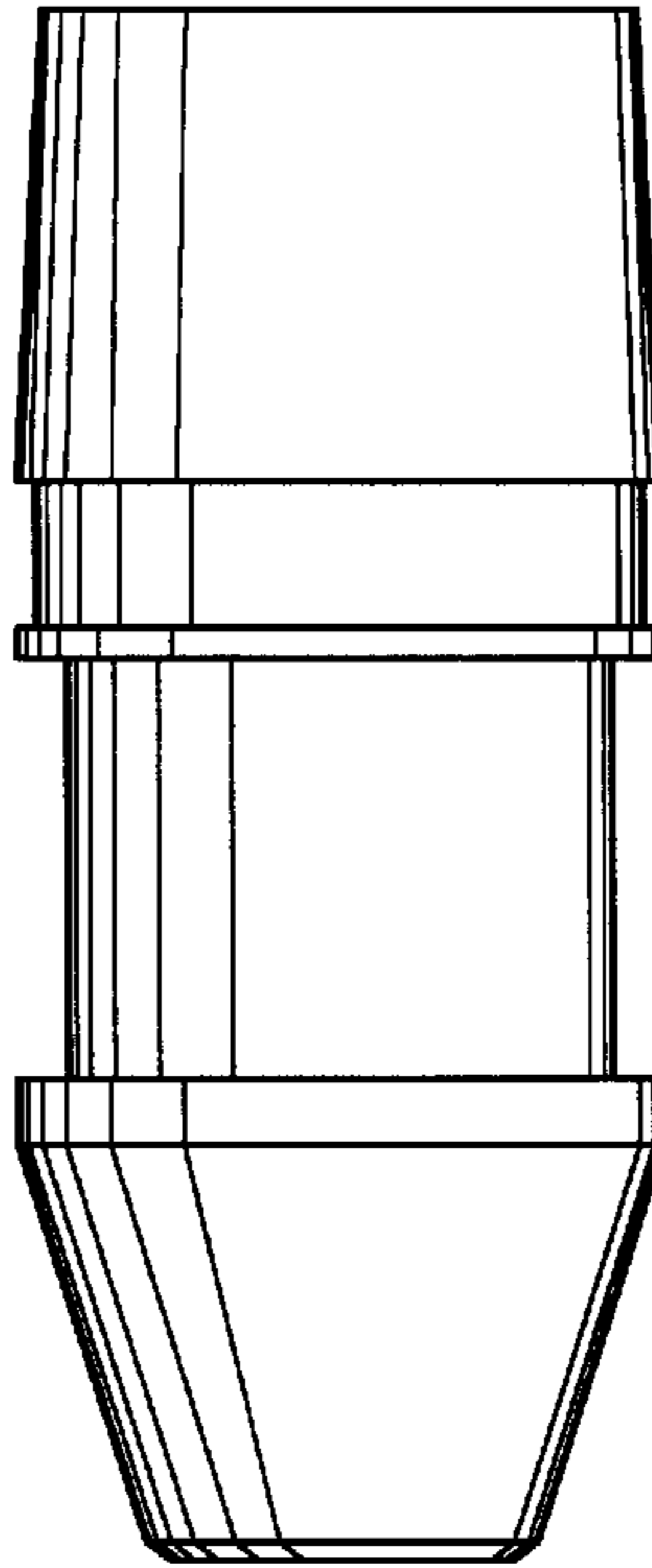


Figure 3

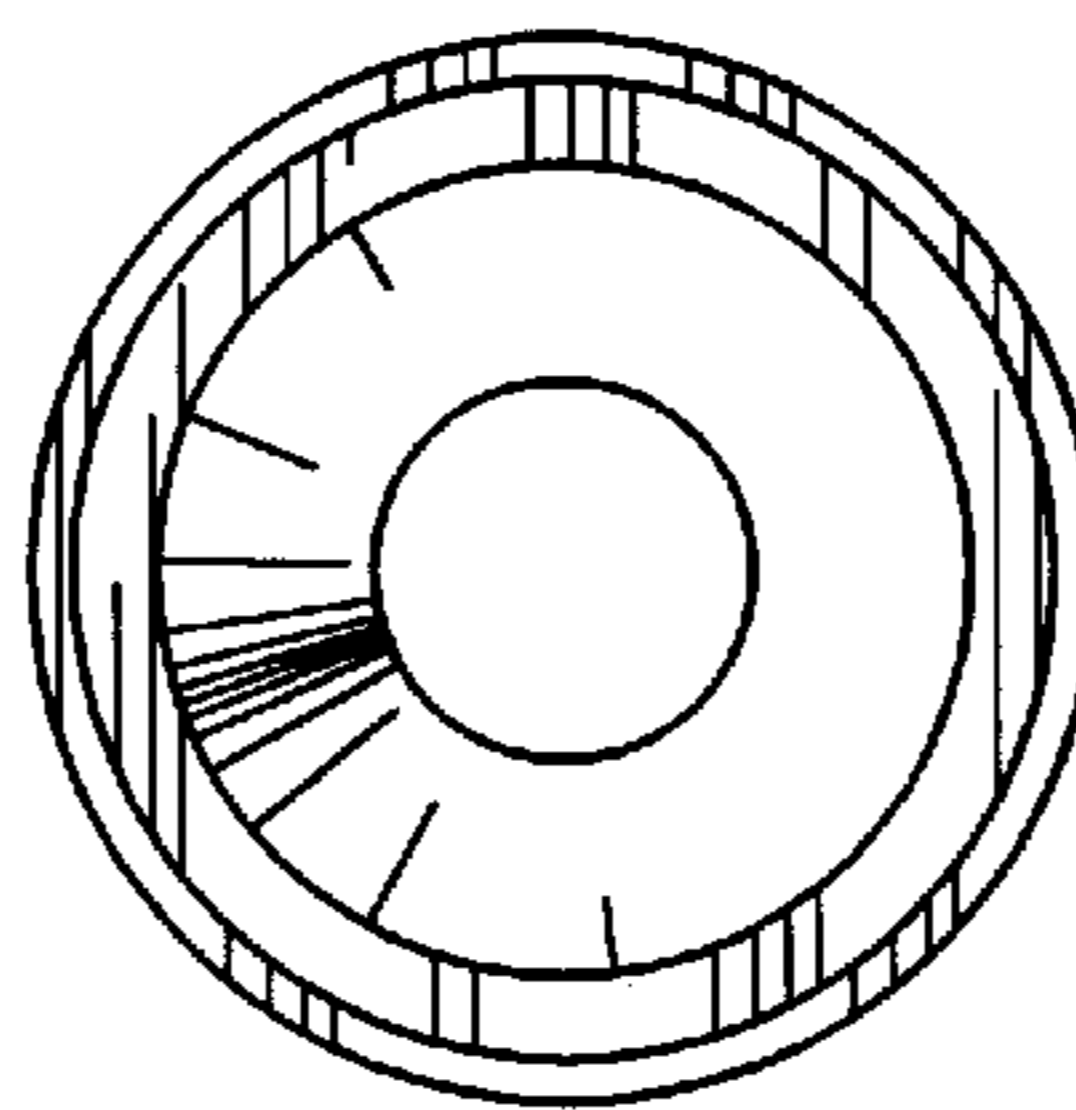


Figure 4

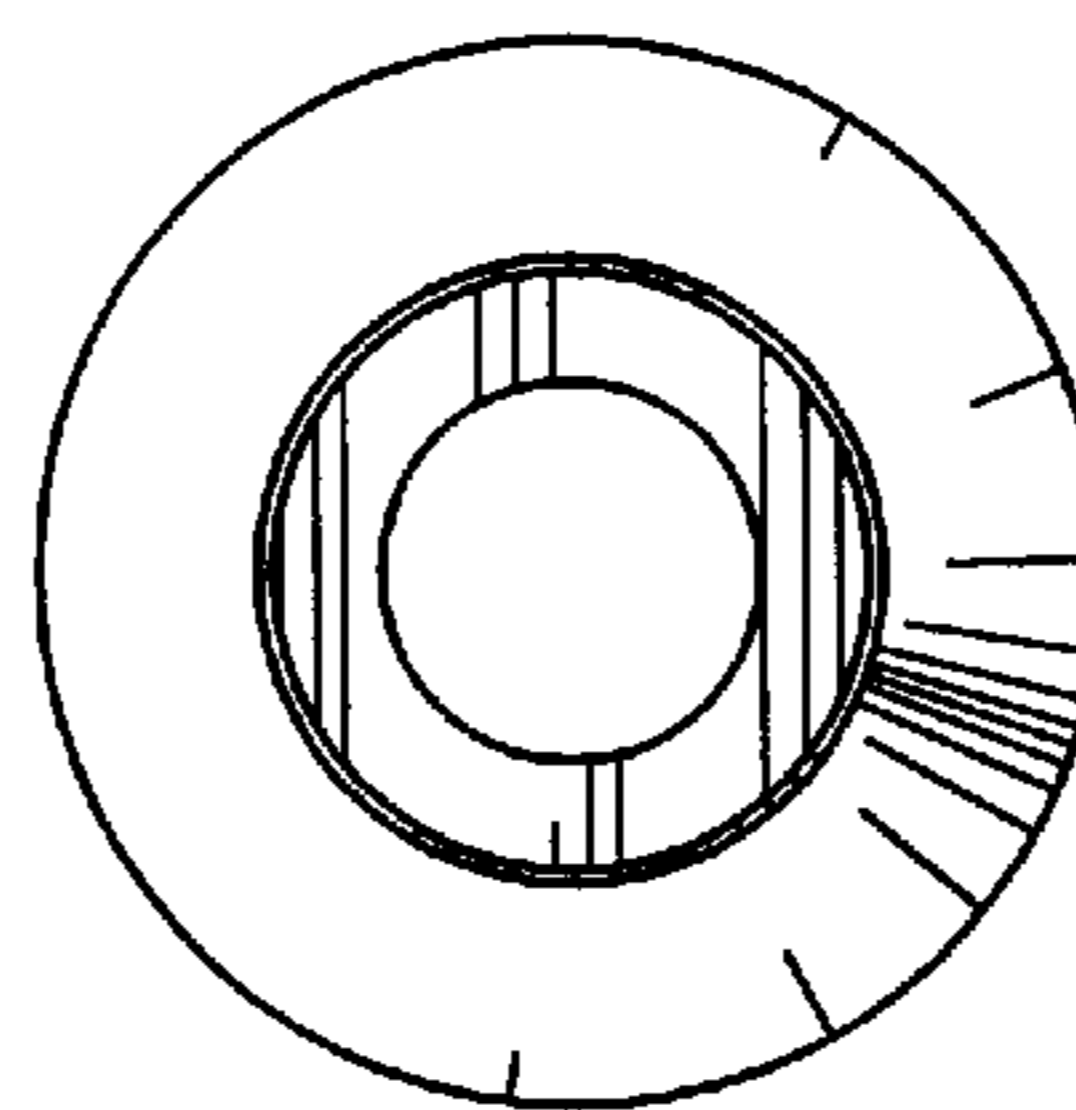


Figure 5

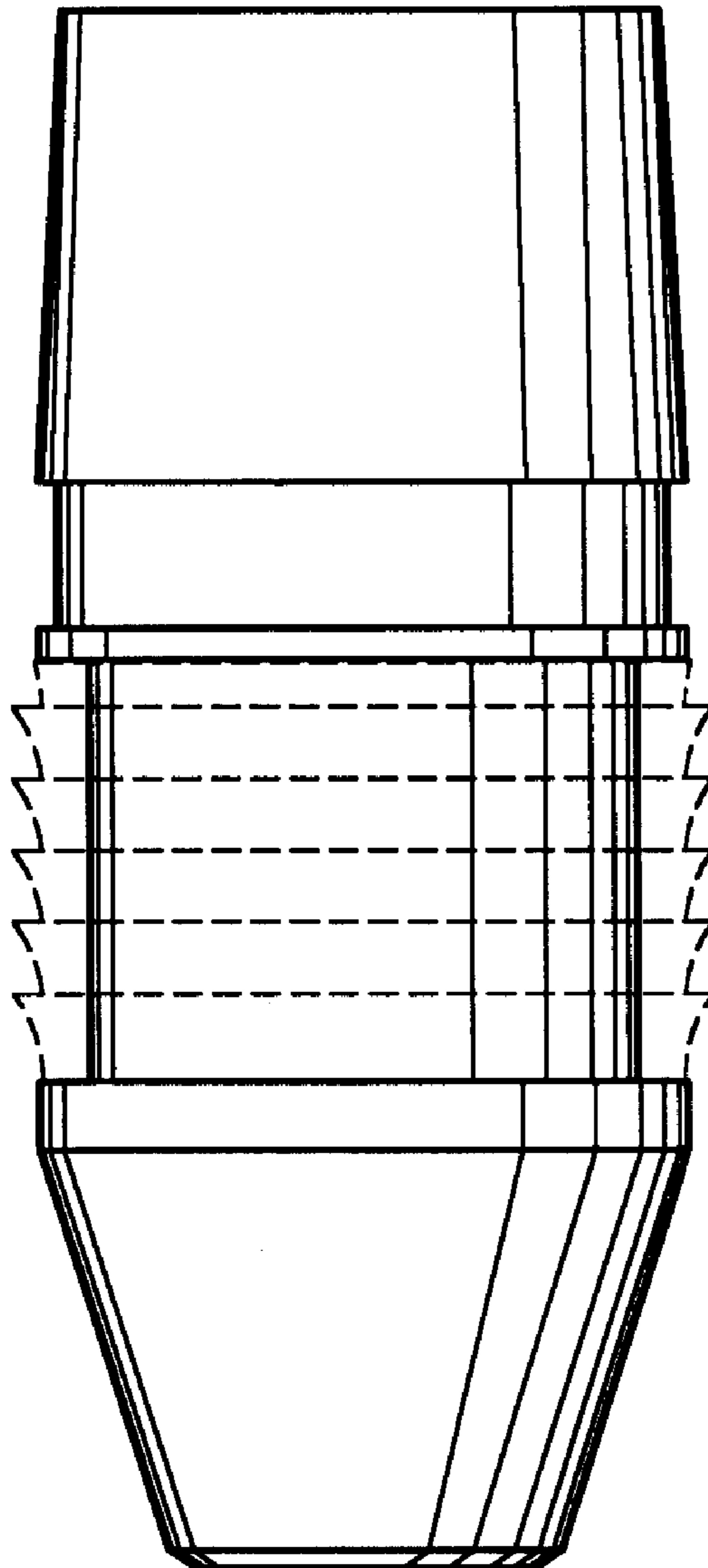


Figure 6

UNITED STATES PATENT AND TRADEMARK OFFICE  
**CERTIFICATE OF CORRECTION**

PATENT NO. : Des 456,363 S  
DATED : April 30, 2002  
INVENTOR(S) : Kendrew Lee

Page 1 of 1

It is certified that error appears in the above-identified patent and that said Letters Patent is hereby corrected as shown below:

Drawings,

Figure 1: add -- © 2001 Monster Cable Products, Inc. --  
Figure 2: add -- © 2001 Monster Cable Products, Inc. --  
Figure 3: add -- © 2001 Monster Cable Products, Inc. --  
Figure 4: add -- © 2001 Monster Cable Products, Inc. --  
Figure 5: add -- © 2001 Monster Cable Products, Inc. --  
Figure 6: add -- © 2001 Monster Cable Products, Inc. --

Signed and Sealed this

Thirtieth Day of July, 2002

*Attest:*



*Attesting Officer*

JAMES E. ROGAN  
*Director of the United States Patent and Trademark Office*